



US00D630483S

(12) **United States Design Patent**
Aglassinger

(10) **Patent No.:** **US D630,483 S**
(45) **Date of Patent:** **** Jan. 11, 2011**

(54) **GRINDING TOOL**

(75) Inventor: **Hans-Peter Aglassinger**, Esslingen (DE)

(73) Assignee: **Robert Bosch GmbH**, Stuttgart (DE)

(**) Term: **14 Years**

(21) Appl. No.: **29/364,986**

(22) Filed: **Jul. 1, 2010**

(30) **Foreign Application Priority Data**

Apr. 21, 2010 (EM) 001210025

(51) **LOC (9) Cl.** **08-01**

(52) **U.S. Cl.** **D8/62**

(58) **Field of Classification Search** D8/61,
D8/67, 70, 107, 64; 409/182, 180, 134, 132,
409/131; 144/48.6, 252.1, 154.5, 136.95,
144/153; 279/48; 173/29

See application file for complete search history.

(56) **References Cited**

U.S. PATENT DOCUMENTS

D439,122 S *	3/2001	Adler et al.	D8/61
D447,030 S *	8/2001	Chen	D8/61
D455,326 S *	4/2002	Schoen	D8/61
D471,781 S *	3/2003	Heun	D8/61
D473,119 S *	4/2003	Evans	D8/61
D478,259 S *	8/2003	Heun	D8/61
D481,919 S *	11/2003	Sham et al.	D8/64

D484,763 S *	1/2004	Sham et al.	D8/64
6,886,643 B2 *	5/2005	Riley et al.	173/29
D526,176 S *	8/2006	Lopano et al.	D8/61
D527,964 S *	9/2006	Riley et al.	D8/61
D531,868 S *	11/2006	Zurwelle	D8/62
D568,704 S *	5/2008	Aglassinger	D8/62
D570,172 S *	6/2008	Heun	D8/61
D593,826 S *	6/2009	Aglassinger	D8/62
D598,260 S *	8/2009	Jerome et al.	D8/61
D619,436 S *	7/2010	Baker et al.	D8/61
2009/0165892 A1 *	7/2009	Baker et al.	144/153

* cited by examiner

Primary Examiner—Austin Murphy

(74) *Attorney, Agent, or Firm*—Victor A. Henzi

(57) **CLAIM**

The ornamental design for the grinding tool, as shown and described.

DESCRIPTION

FIG. 1 is a left front perspective view of the grinding tool;

FIG. 2 is a left elevational view thereof;

FIG. 3 is a right elevational view thereof;

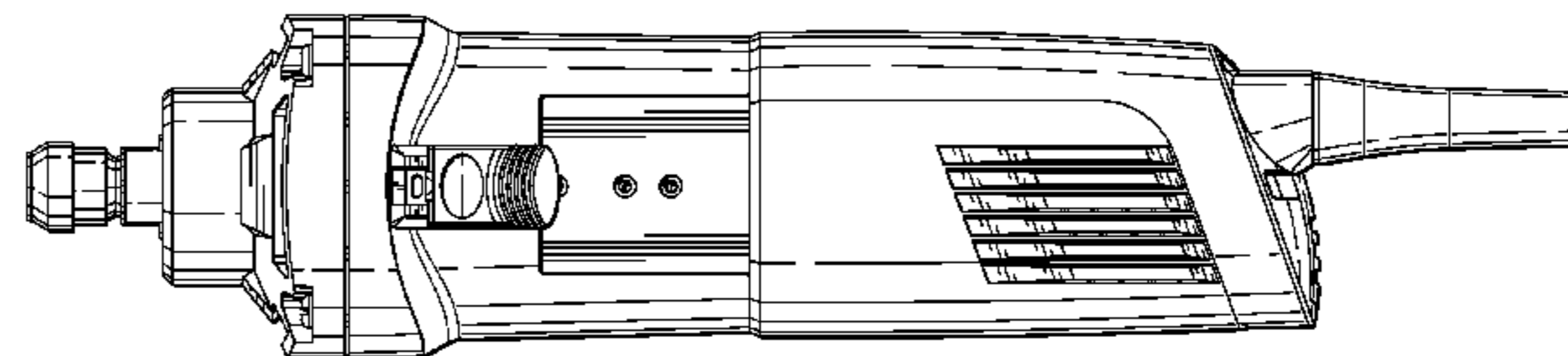
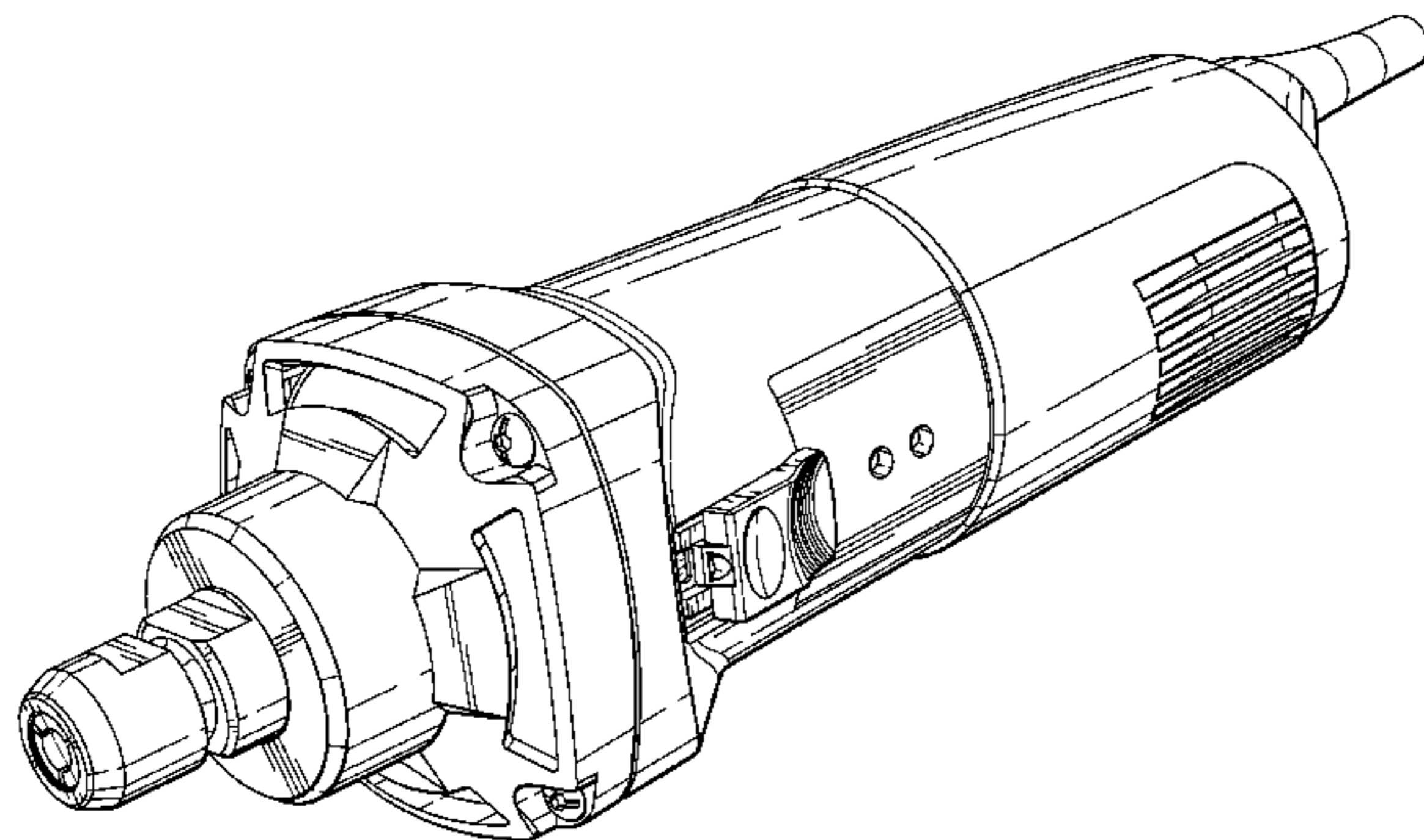
FIG. 4 is front elevational view a thereof;

FIG. 5 is a rear elevational view thereof;

FIG. 6 is a top plan view thereof; and,

FIG. 7 is a bottom plan view thereof.

1 Claim, 6 Drawing Sheets



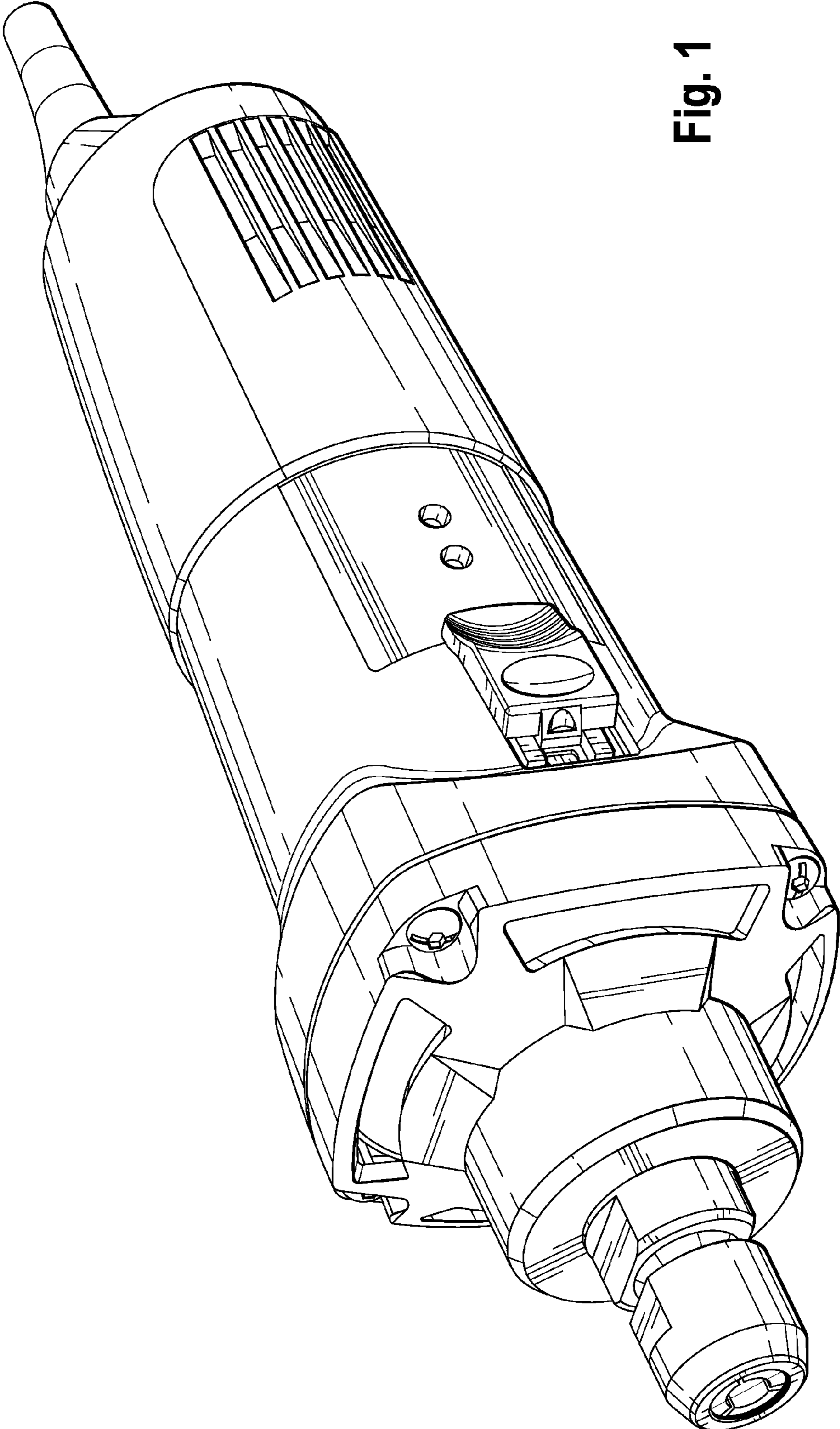


Fig. 1

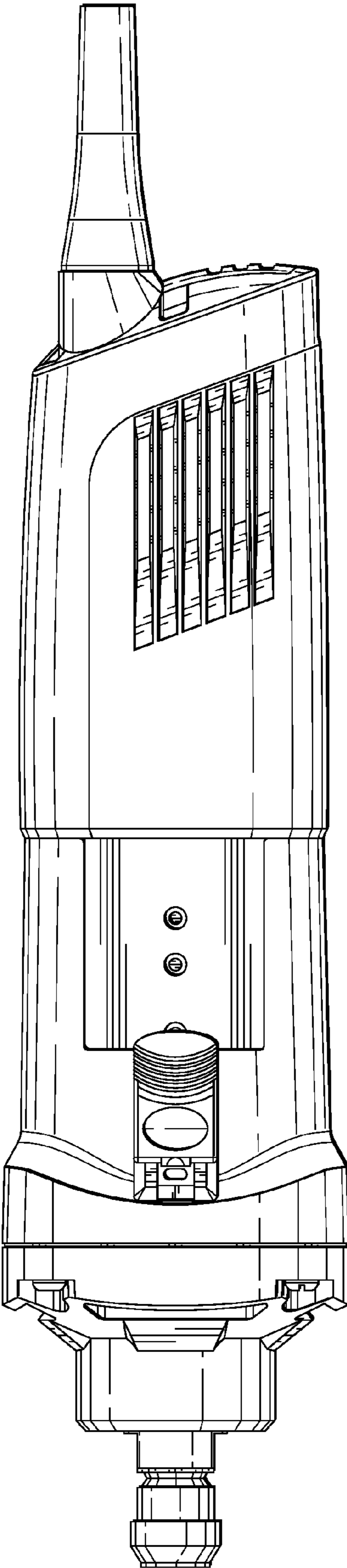


Fig. 2

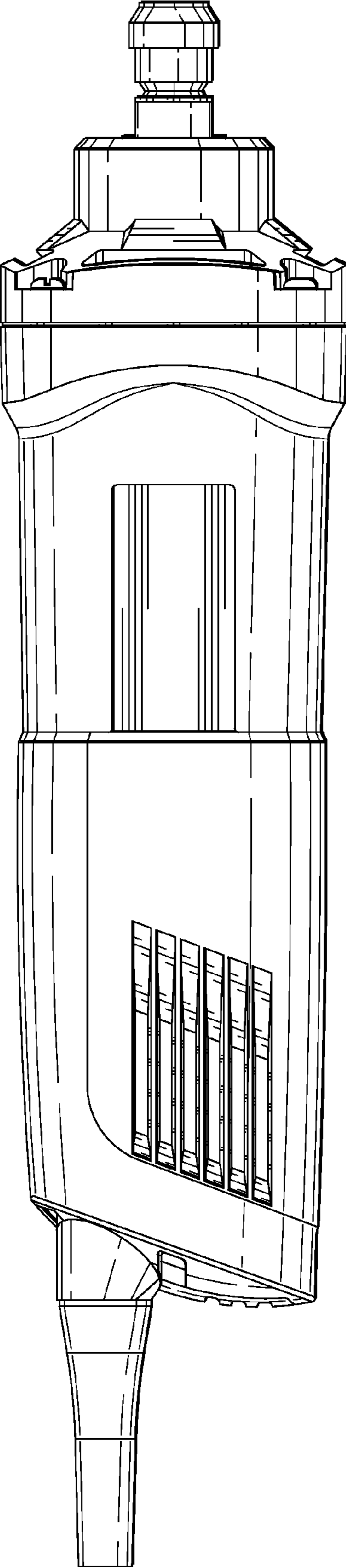


Fig. 3

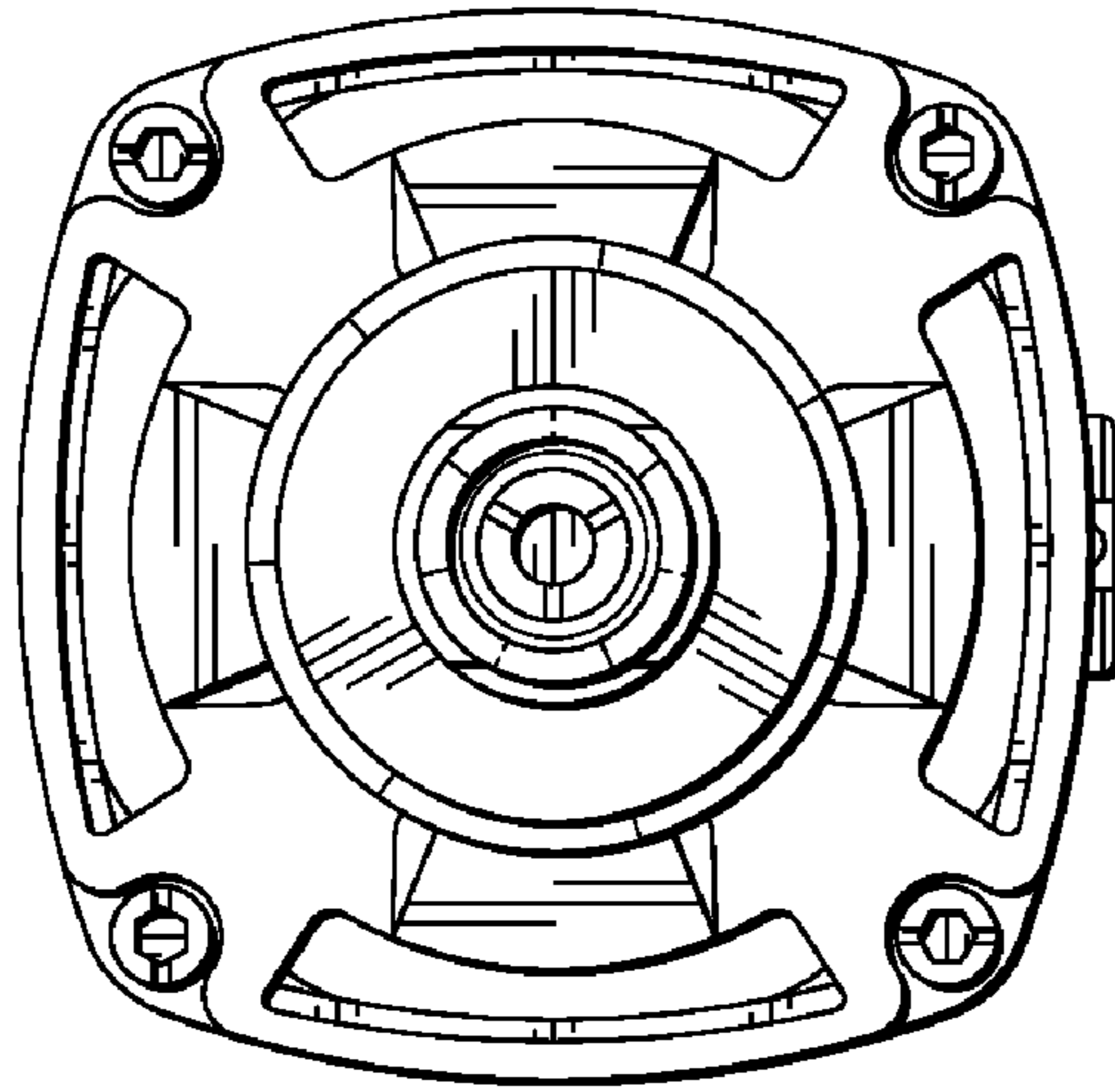


Fig. 4

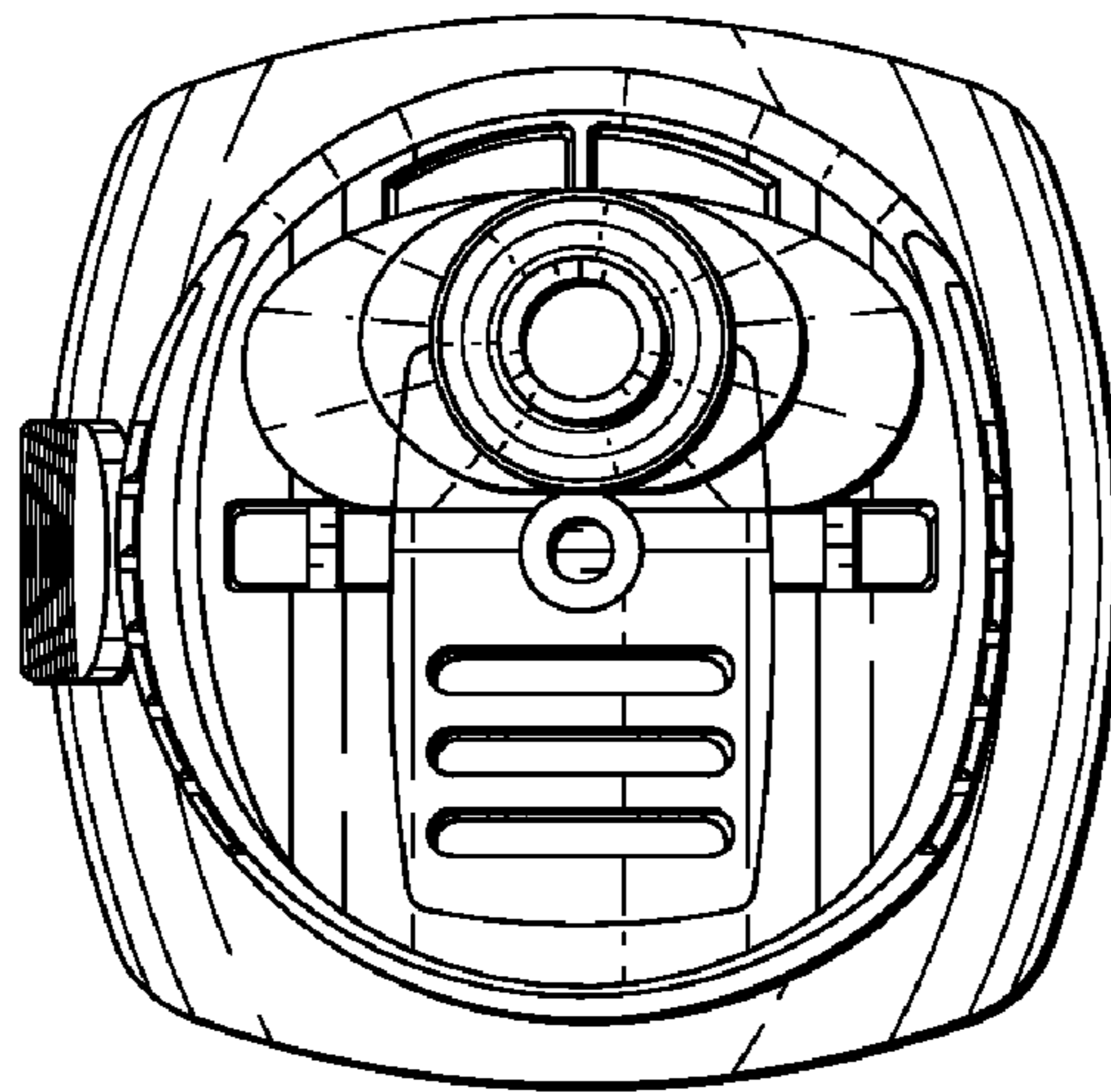


Fig. 5

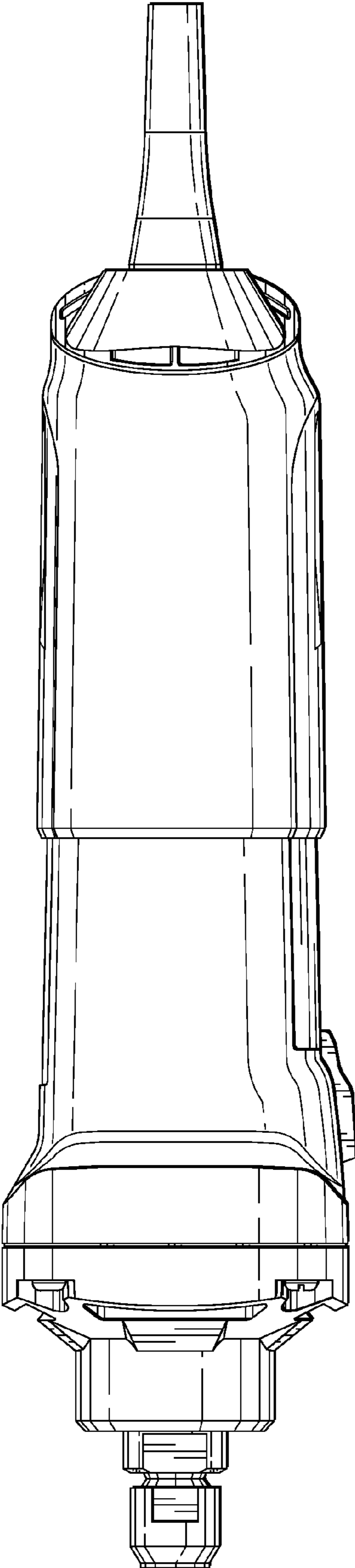


Fig. 6

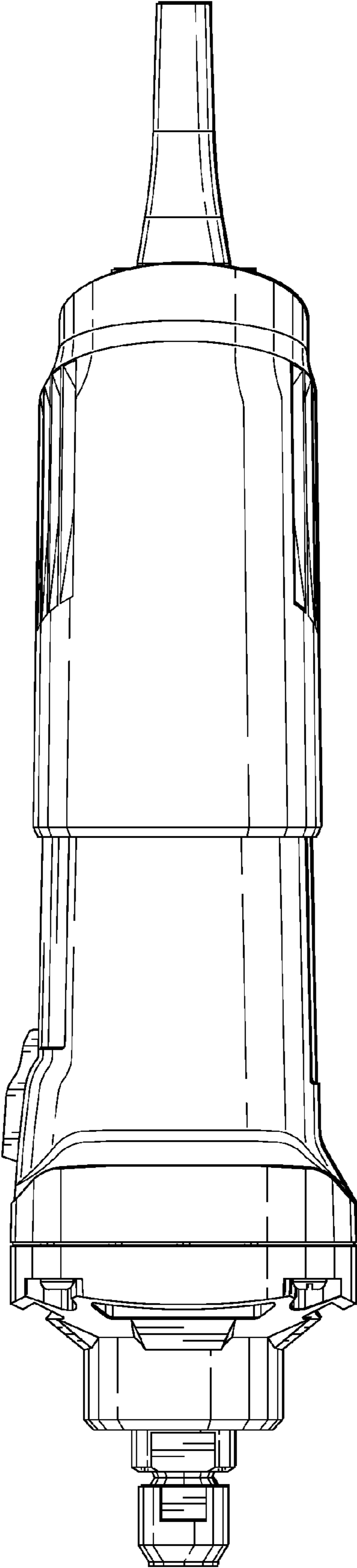


Fig. 7