



US00D630473S

(12) **United States Design Patent**
Poppie

(10) **Patent No.:** **US D630,473 S**
(45) **Date of Patent:** **** Jan. 11, 2011**

(54) **DRINKING VESSEL**

(76) Inventor: **William F. Poppie**, 771 Blair Blvd.,
Eugene, OR (US) 97402

(**) Term: **14 Years**

(21) Appl. No.: **29/355,845**

(22) Filed: **Feb. 15, 2010**

5,320,248 A 6/1994 Jamieson
D365,248 S * 12/1995 Falzarano D7/533
D398,189 S * 9/1998 Benson D7/530
D414,656 S * 10/1999 Richmond D7/562
D444,675 S * 7/2001 Kerman D7/521

(Continued)

Related U.S. Application Data

(63) Continuation-in-part of application No. 12/062,532,
filed on Apr. 4, 2008.

(51) **LOC (9) Cl.** **07-01**

(52) **U.S. Cl.** **D7/525; D7/529; D7/526**

(58) **Field of Classification Search** D7/523,
D7/525, 526, 529, 530; 215/382, 383; 220/713,
220/710.5

See application file for complete search history.

(56) **References Cited**

U.S. PATENT DOCUMENTS

45,309 A 12/1864 Bliss
D19,209 S * 7/1889 Mellor D7/529
1,989,019 A 1/1935 O’Keeffe
2,352,205 A 6/1944 Karlson
2,592,485 A 4/1952 Stair
2,965,274 A 12/1960 Brillis et al.
3,085,281 A 4/1963 Massman
3,138,371 A 6/1964 Feher et al.
3,397,867 A 8/1968 Van’t Hoff
3,606,262 A 9/1971 Van’t Hoff
D229,007 S 11/1973 Hodges
3,920,226 A 11/1975 Walt
4,253,772 A 3/1981 Burton-Smith
4,332,482 A 6/1982 Engler
D266,815 S * 11/1982 Durand D7/523
D272,116 S * 1/1984 Durand D7/523
D275,254 S * 8/1984 Durand D7/529
4,880,312 A 11/1989 Carlson
D329,170 S * 9/1992 Hoffer D7/509

OTHER PUBLICATIONS

U.S. Appl. No. 12/062,532, filed Apr. 4, 2008, Poppie.

Primary Examiner—Marianne Pandozzi

(74) *Attorney, Agent, or Firm*—David S. Alavi

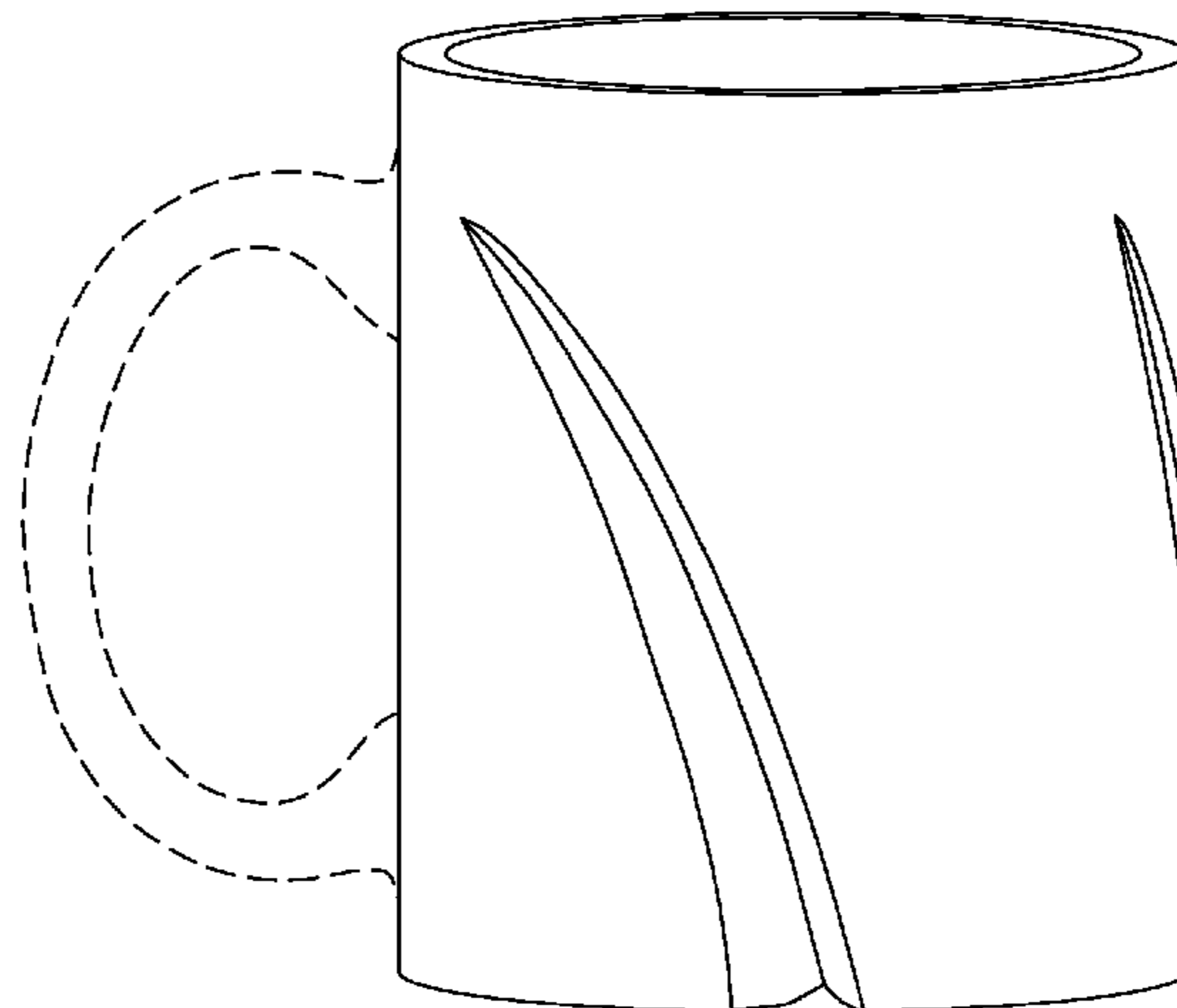
(57) **CLAIM**

The ornamental design for a drinking vessel, as shown and described.

DESCRIPTION

FIG. 1 is a top view of an drinking vessel.
FIG. 2 is a front view of the drinking vessel.
FIG. 3 is a back view of the drinking vessel.
FIG. 4 is a bottom view of the drinking vessel.
FIG. 5 is a left side view of the drinking vessel; and,
FIG. 6 is a right side view of the exemplary drinking vessel.
An optional handle for the drinking vessel is shown in broken lines and does not form part of the claimed design. An optional surface relief feature on the bottom of the drinking vessel is shown in broken lines and does not form part of the claimed design. The present design shall be understood to encompass mirror images of the exemplary embodiment shown in the Figures.

1 Claim, 3 Drawing Sheets



US D630,473 S

Page 2

U.S. PATENT DOCUMENTS

6,409,374 B1	6/2002	Willat			
D477,750 S *	7/2003	Chuang	D7/529	* cited by examiner
					D584,568 S * 1/2009 Gibbs et al. D7/529
					D590,209 S * 4/2009 Barducci D7/525

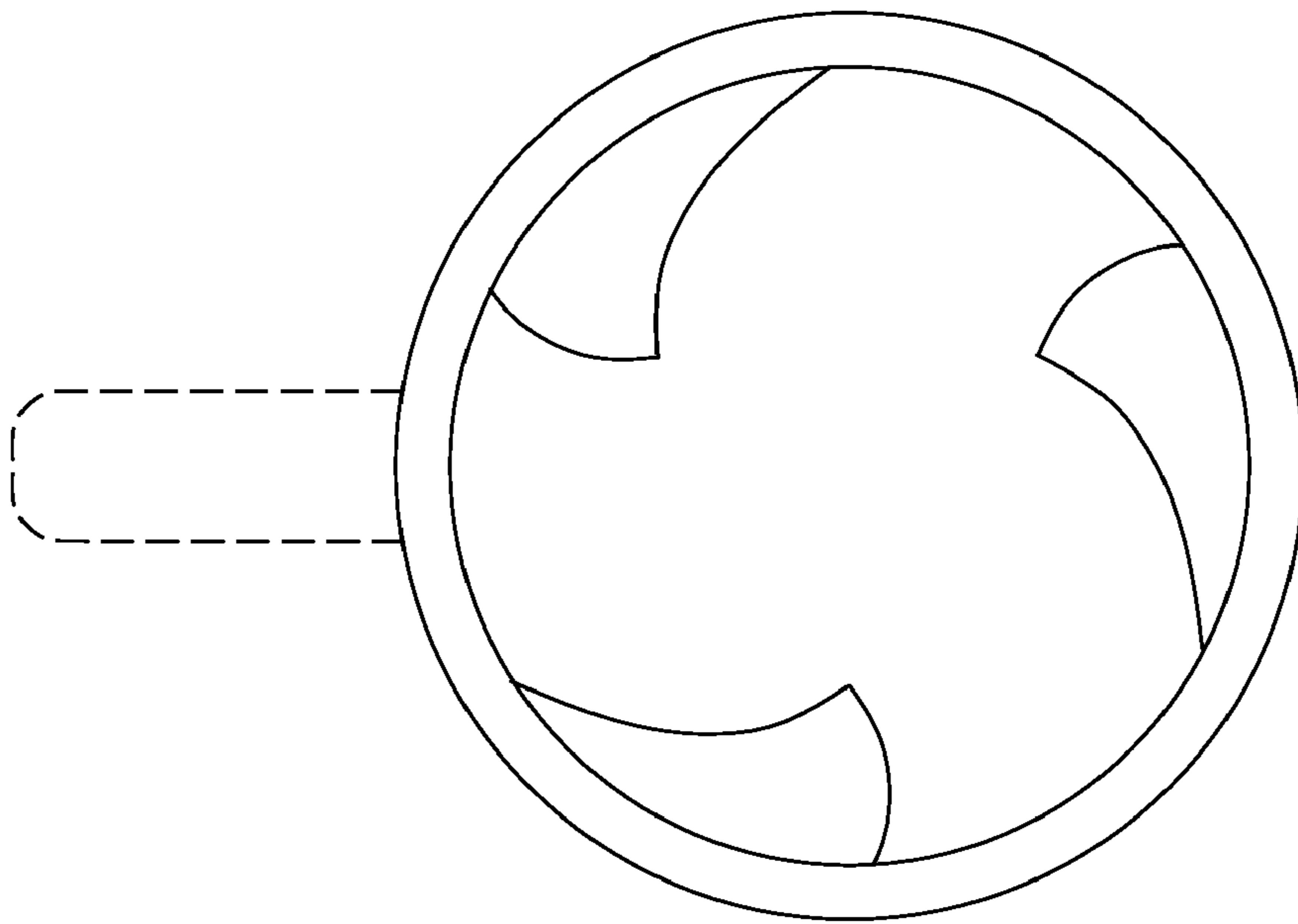


FIG. 1

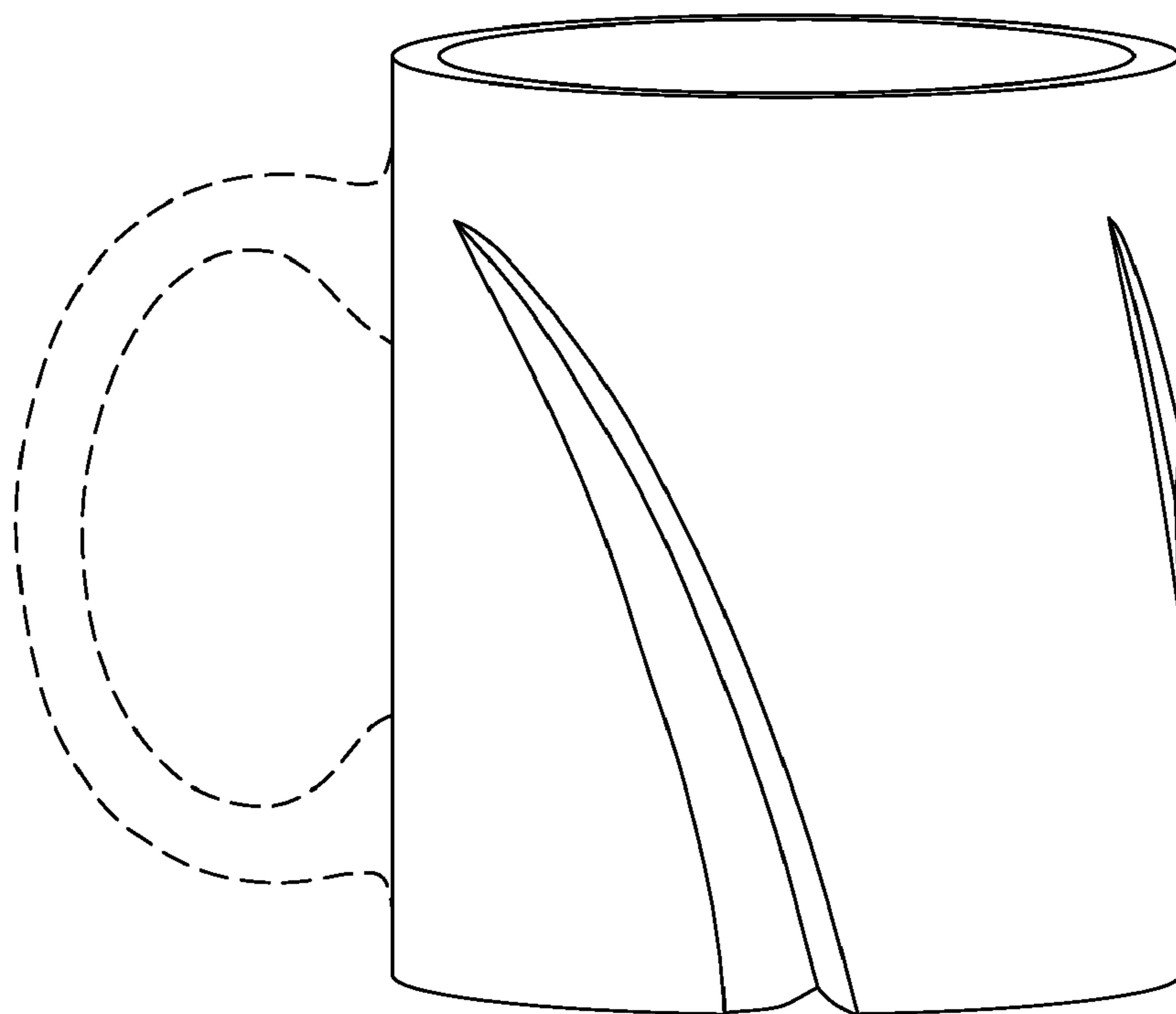


FIG. 2

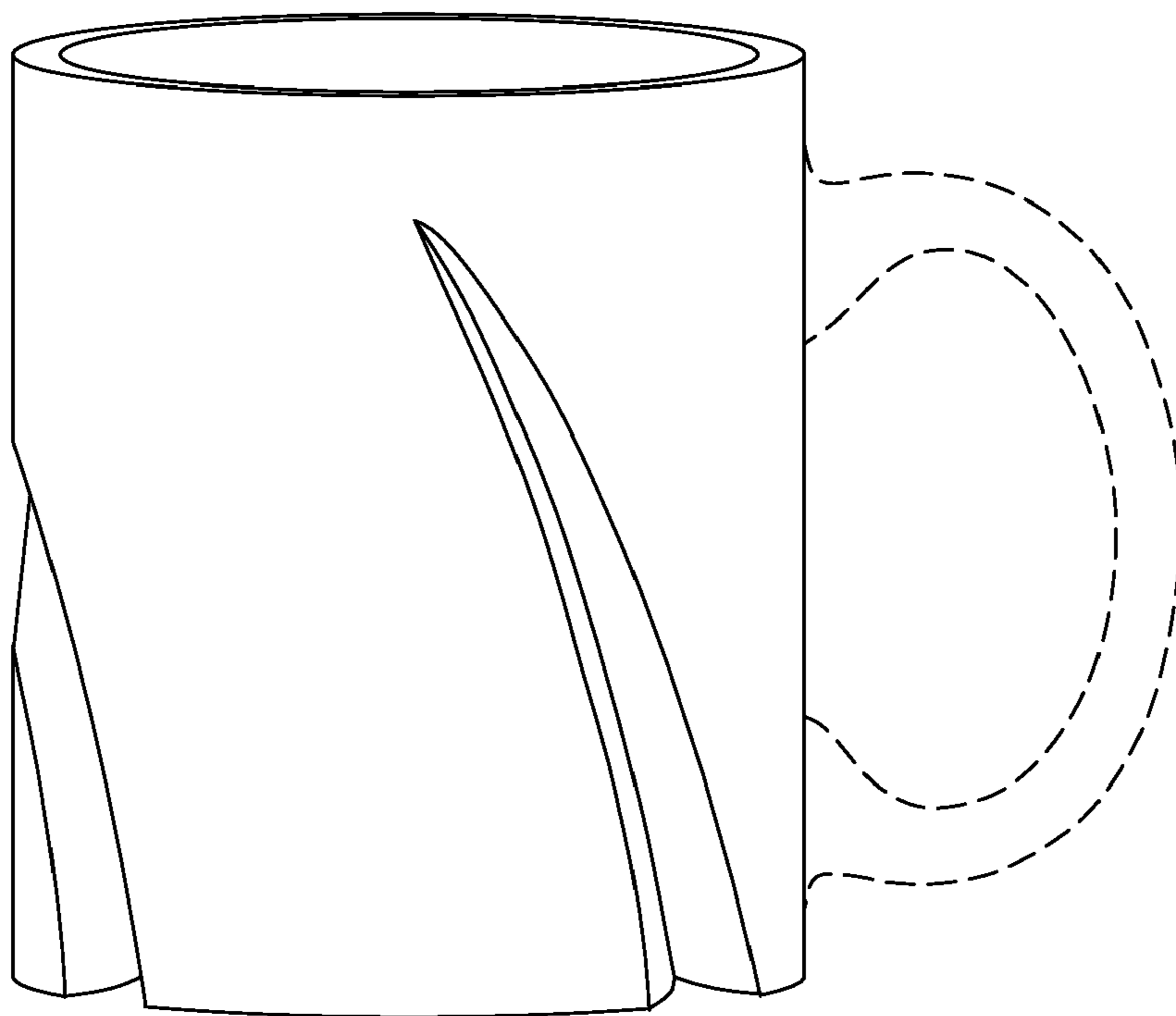


FIG. 3

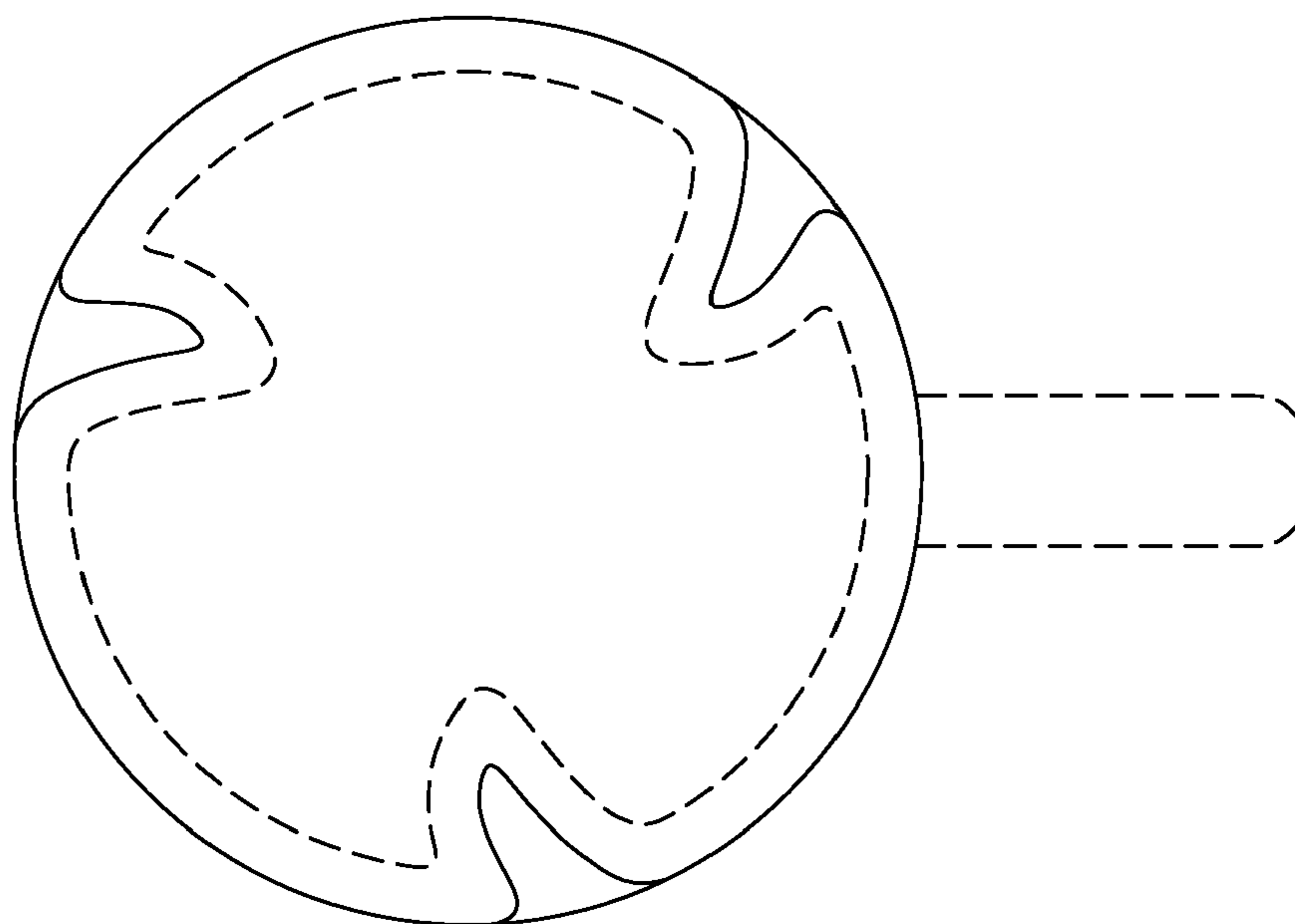


FIG. 4

FIG. 5

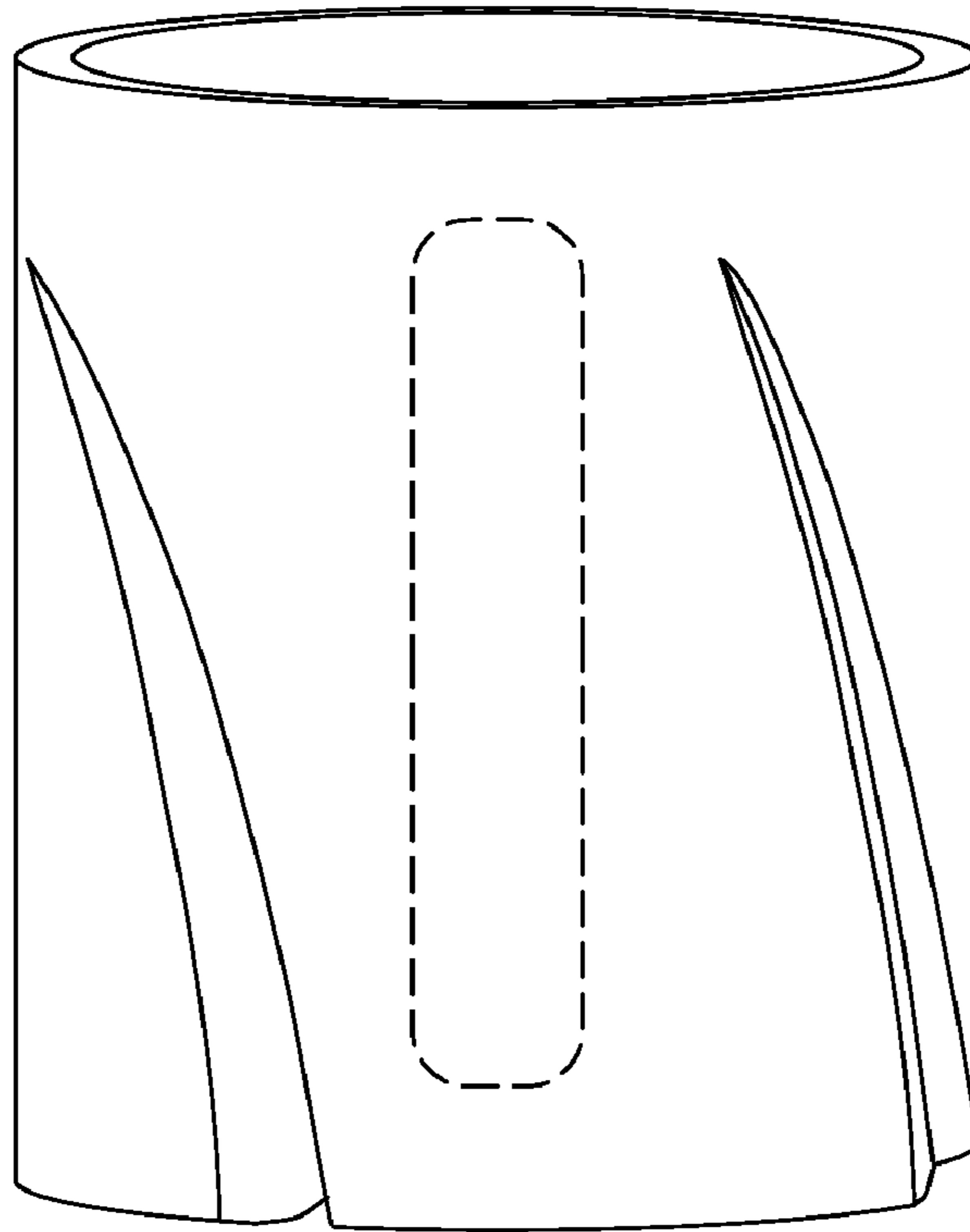


FIG. 6

