



US00D630471S

(12) **United States Design Patent**
Wang

(10) **Patent No.:** **US D630,471 S**
(45) **Date of Patent:** **** Jan. 11, 2011**

(54) **DRIP TRAY FOR A WATER COOLER**

(75) Inventor: **Chun Yen Wang**, El Paso, TX (US)

(73) Assignee: **MTN Products, Inc.**, LaVerne, CA (US)

(**) Term: **14 Years**

(21) Appl. No.: **29/351,555**

(22) Filed: **Dec. 8, 2009**

(51) **LOC (9) Cl.** **07-99**

(52) **U.S. Cl.** **D7/397; D7/306; D7/311**

(58) **Field of Classification Search** **D7/397,**
D7/624.1, 311, 399, 306, 313; 141/363;
222/183; 220/573, 700

See application file for complete search history.

(56) **References Cited**

U.S. PATENT DOCUMENTS

2,799,145	A *	7/1957	Jansen	62/291
D242,554	S *	11/1976	Flanagan	D99/25
D369,719	S *	5/1996	Eddy et al.	D7/397
D401,474	S *	11/1998	Leatherman et al.	D7/397
D410,172	S *	5/1999	Lalonde	D7/397
D514,867	S *	2/2006	Steiner	D7/309
7,197,794	B2	4/2007	Davis et al.	
D550,042	S *	9/2007	Chapple	D7/550.1
D608,132	S *	1/2010	Bertolina	D7/309
D611,289	S *	3/2010	de Visser	D7/309
2009/0211994	A1	8/2009	Yang et al.	
2009/0236364	A1	9/2009	Njaastad et al.	
2009/0242585	A1	10/2009	Wang	
2009/0277535	A1	11/2009	Wang	
2009/0283117	A1	11/2009	Blatch	

* cited by examiner

Primary Examiner—Marianne Pandozzi

(74) *Attorney, Agent, or Firm*—Michael P. Mazza, LLC

(57) **CLAIM**

The ornamental design for a drip tray for a water cooler, as shown and described.

DESCRIPTION

FIG. 1 is an environmental top, front and side perspective view of a drip tray for a water cooler showing my new design with the drip tray shown in extended position;

FIG. 2 is a top, front, and side perspective view of the enlarged claimed portion of the drip tray for a water cooler in extended position;

FIG. 3 is a top plan view thereof;

FIG. 4 is a front view thereof;

FIG. 5 is a bottom plan view thereof;

FIG. 6 is a right side view thereof;

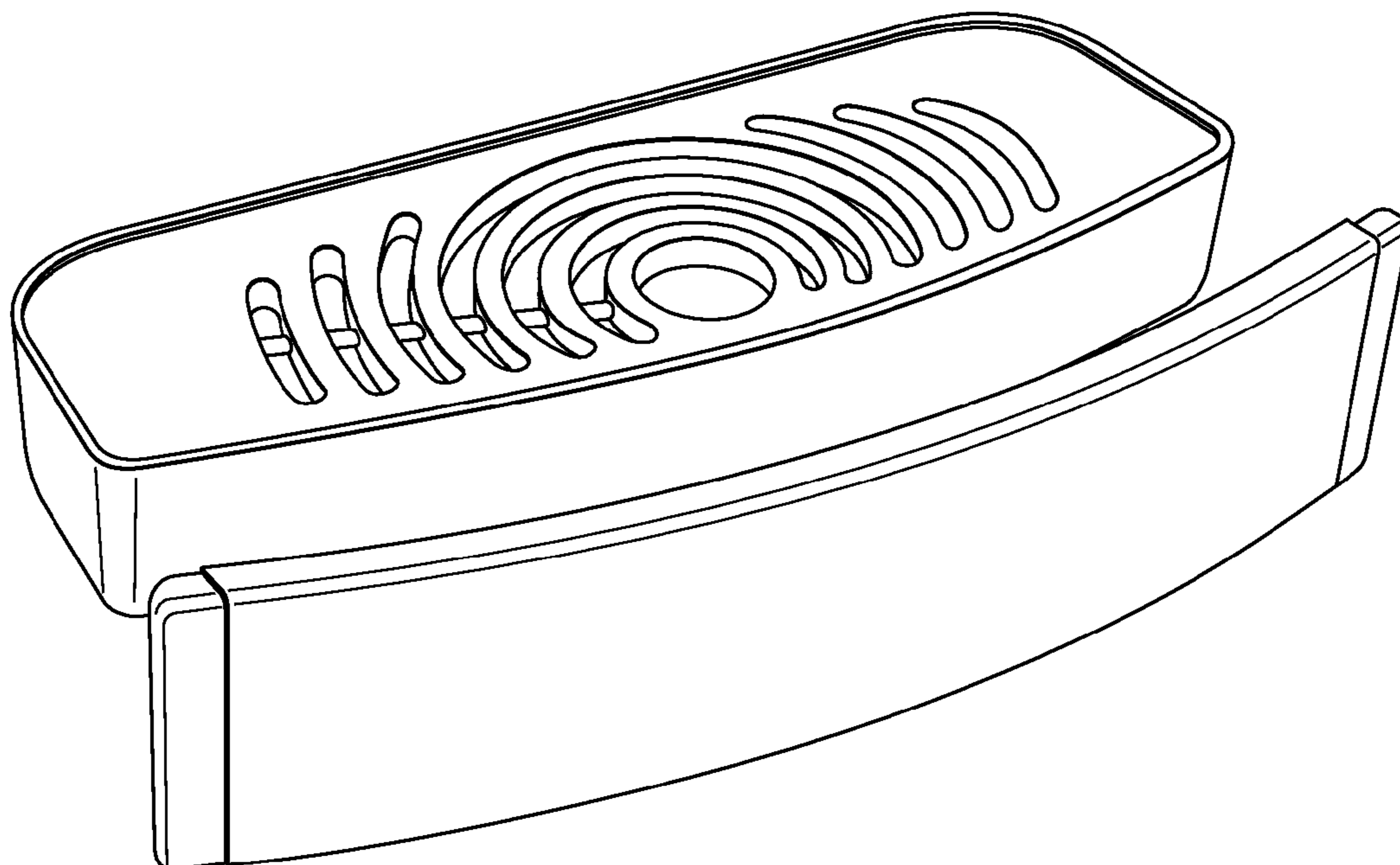
FIG. 7 is a rear view thereof;

FIG. 8 is an environmental top, front and side perspective view of a drip tray for a water cooler showing my new design with the drip tray not in extended position; and,

FIG. 9 is a top, front, and side perspective view of the enlarged claimed portion of the drip tray for a water cooler not in extended position.

The broken line showing of water cooler is included for the purpose of illustrating environment and forms no part of the claimed design.

1 Claim, 4 Drawing Sheets



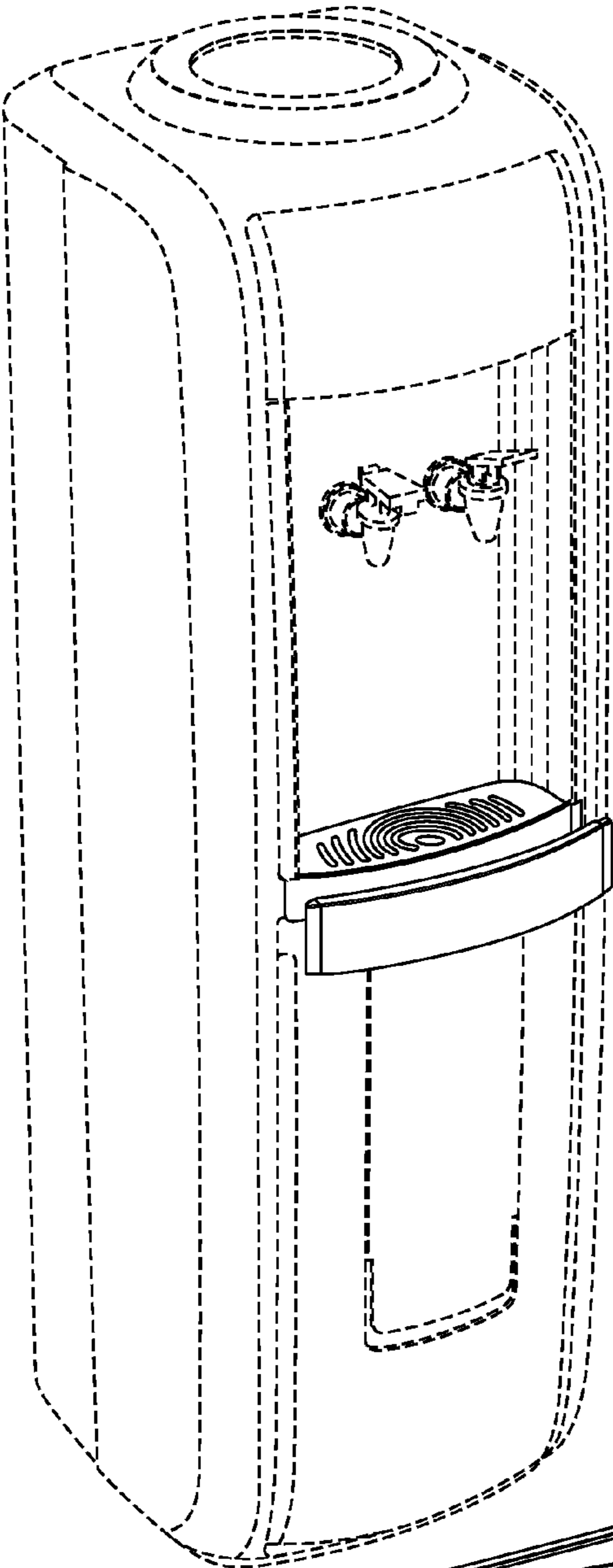


Fig. 1

Fig. 2

Fig. 2

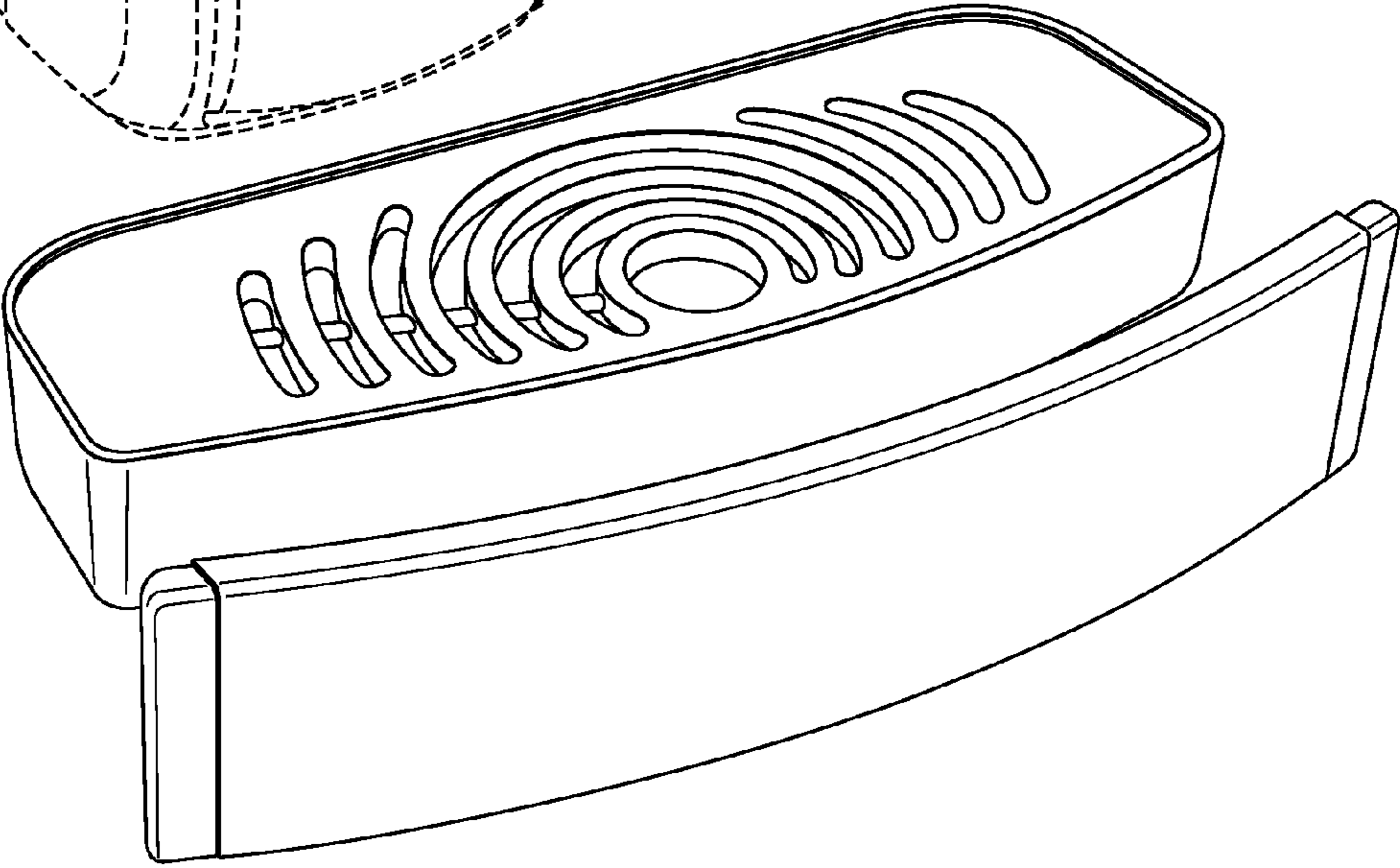


Fig. 3

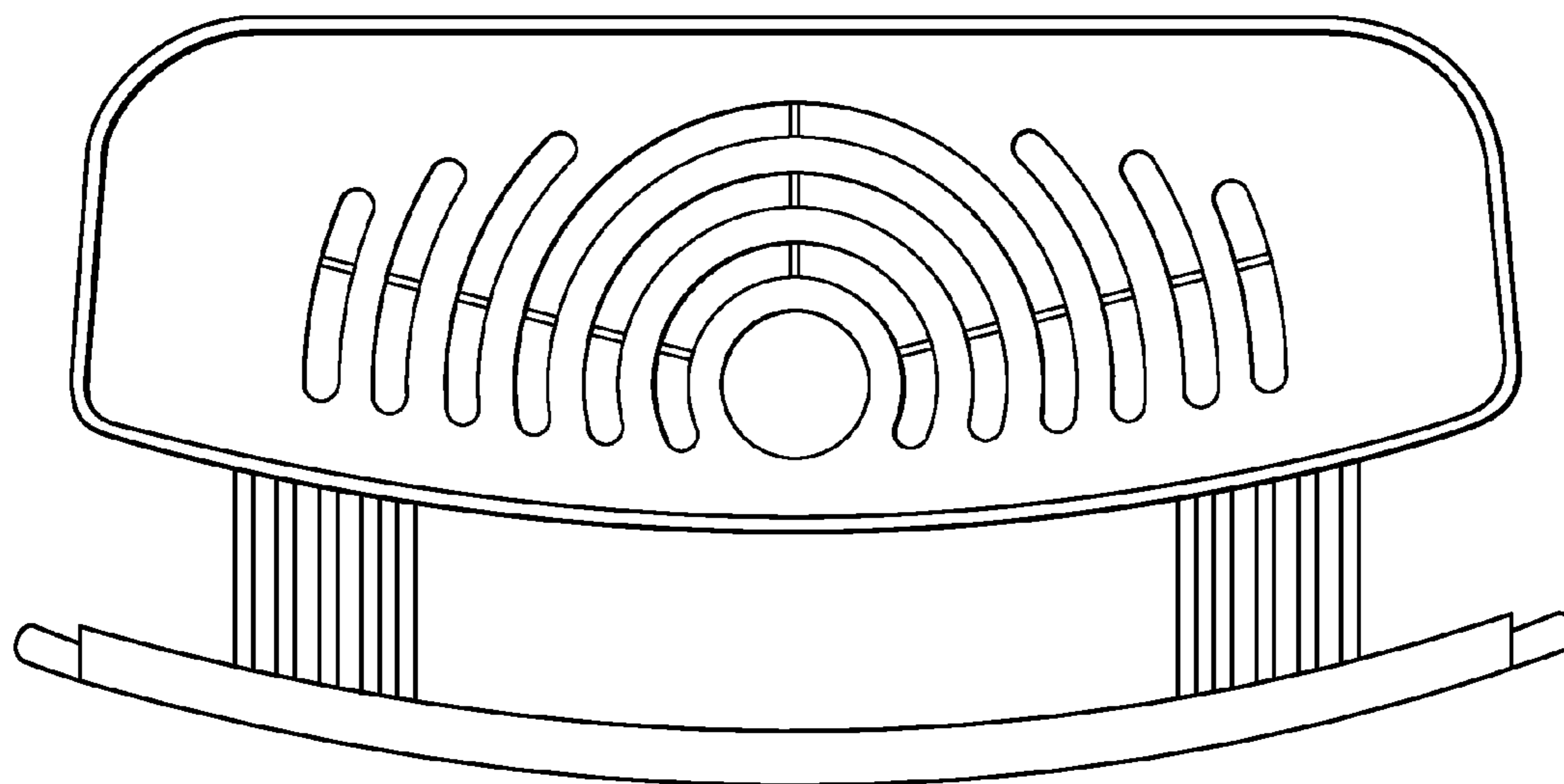


Fig. 4

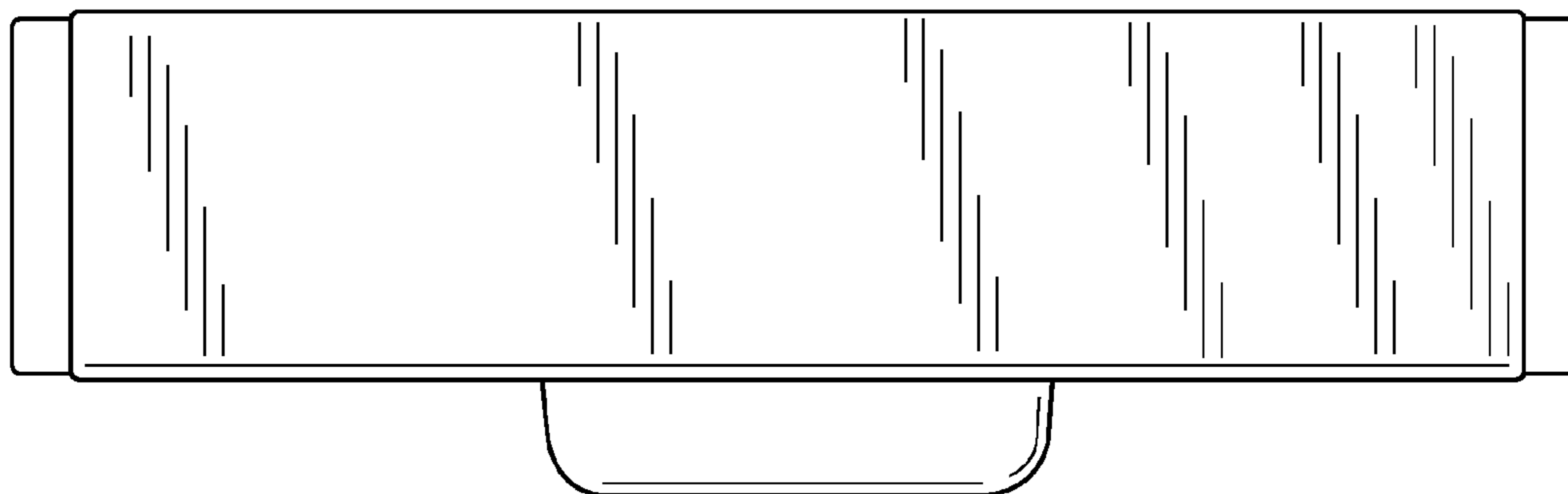


Fig. 5

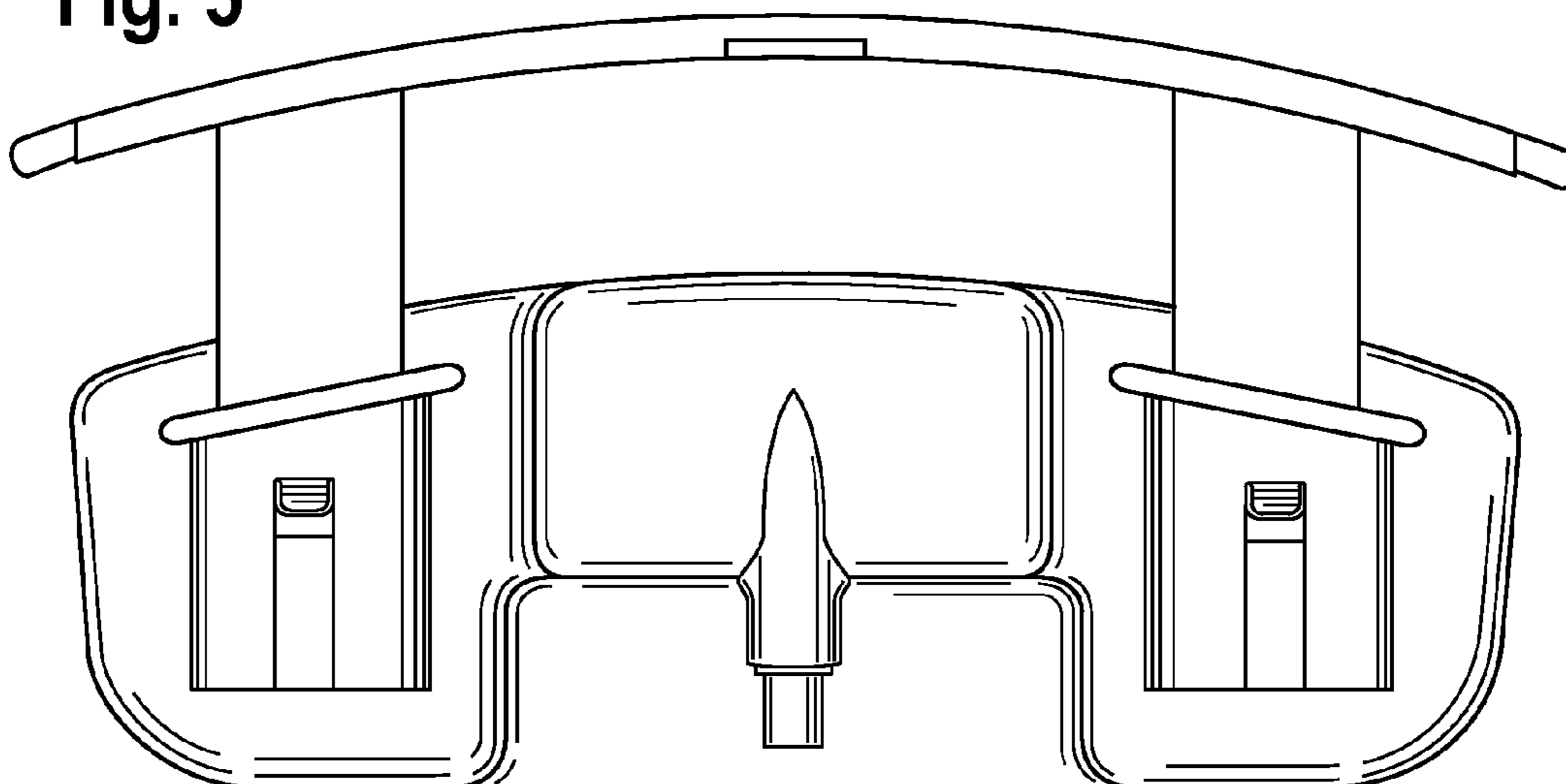


Fig. 6

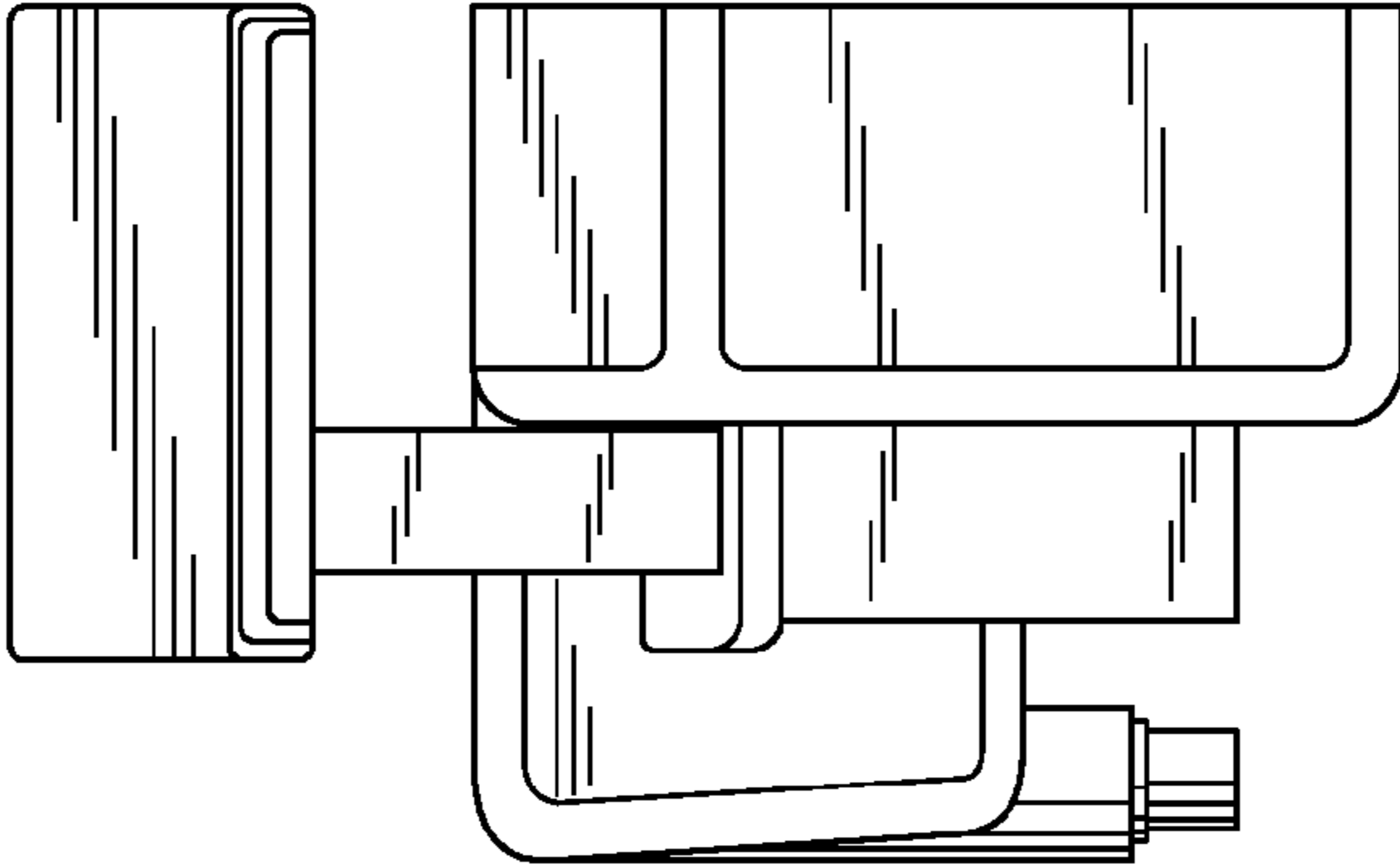
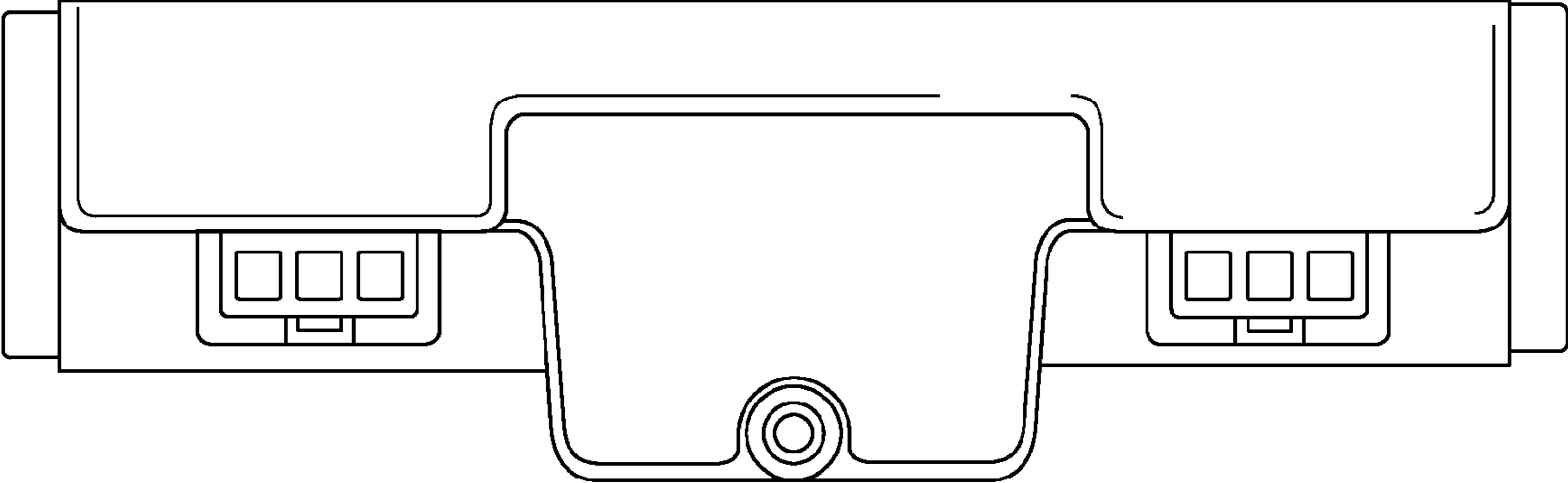


Fig. 7



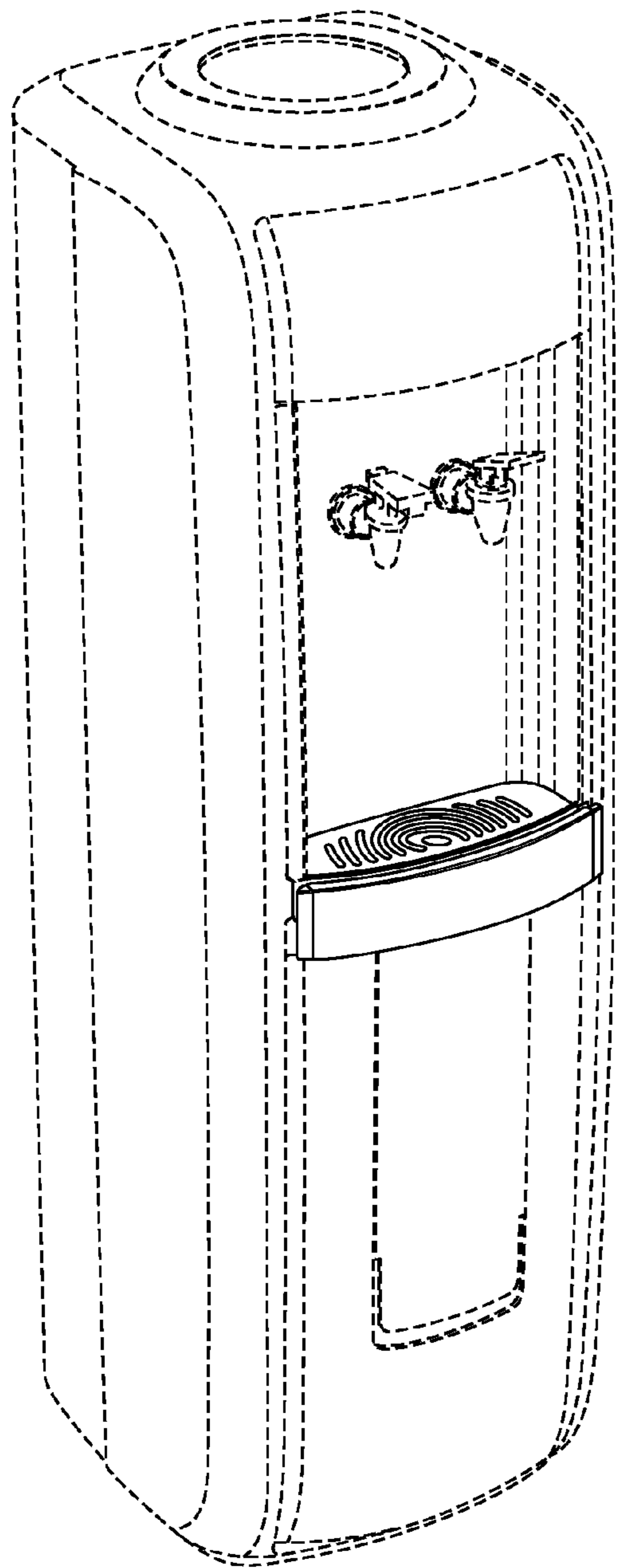


Fig. 8

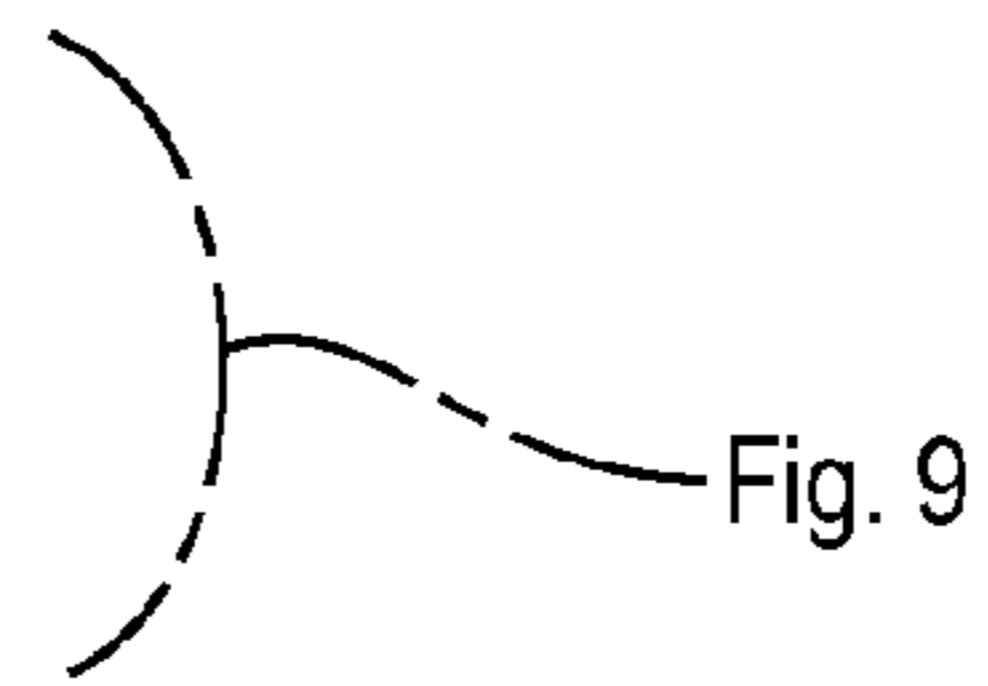


Fig. 9

