



US00D630470S

(12) **United States Design Patent**
Mc Eldowney

(10) **Patent No.:** **US D630,470 S**
(45) **Date of Patent:** **** Jan. 11, 2011**

(54) **HANDLE FOR COOKING UTENSIL**

(75) Inventor: **Blake Mc Eldowney**, Barcelona (ES)

(73) Assignee: **Tefal**, Rumilly (FR)

(**) Term: **14 Years**

(21) Appl. No.: **29/363,784**

(22) Filed: **Jun. 14, 2010**

(30) **Foreign Application Priority Data**

Dec. 15, 2009 (FR) 09 6138

(51) **LOC (9) Cl.** **07-02**

(52) **U.S. Cl.** **D7/395**

(58) **Field of Classification Search** D7/354-361,
D7/393-395, 401.2, 664; D8/107, 300, 303,
D8/307, 313, 321; D4/138, 129; 16/421,
16/430, 431, 110.1, 407; 220/573.1-573.5,
220/752, 753, 755, 756, 759, 767, 771, 912
See application file for complete search history.

(56) **References Cited**

U.S. PATENT DOCUMENTS

D577,541 S * 9/2008 Giannone D7/393

D580,703 S * 11/2008 Devries D7/393
D580,704 S * 11/2008 Robson D7/393
D596,895 S * 7/2009 Tetreault et al. D7/393
D608,139 S * 1/2010 Rae D7/395
D617,140 S * 6/2010 Rae D7/395

* cited by examiner

Primary Examiner—Cynthia M Chin

(74) *Attorney, Agent, or Firm*—Young & Thompson

(57) **CLAIM**

The ornamental design for a handle for cooking utensil, as shown and described.

DESCRIPTION

FIG. 1 is a perspective view of a handle for cooking utensil, showing my new design;

FIG. 2 is a side elevational view thereof;

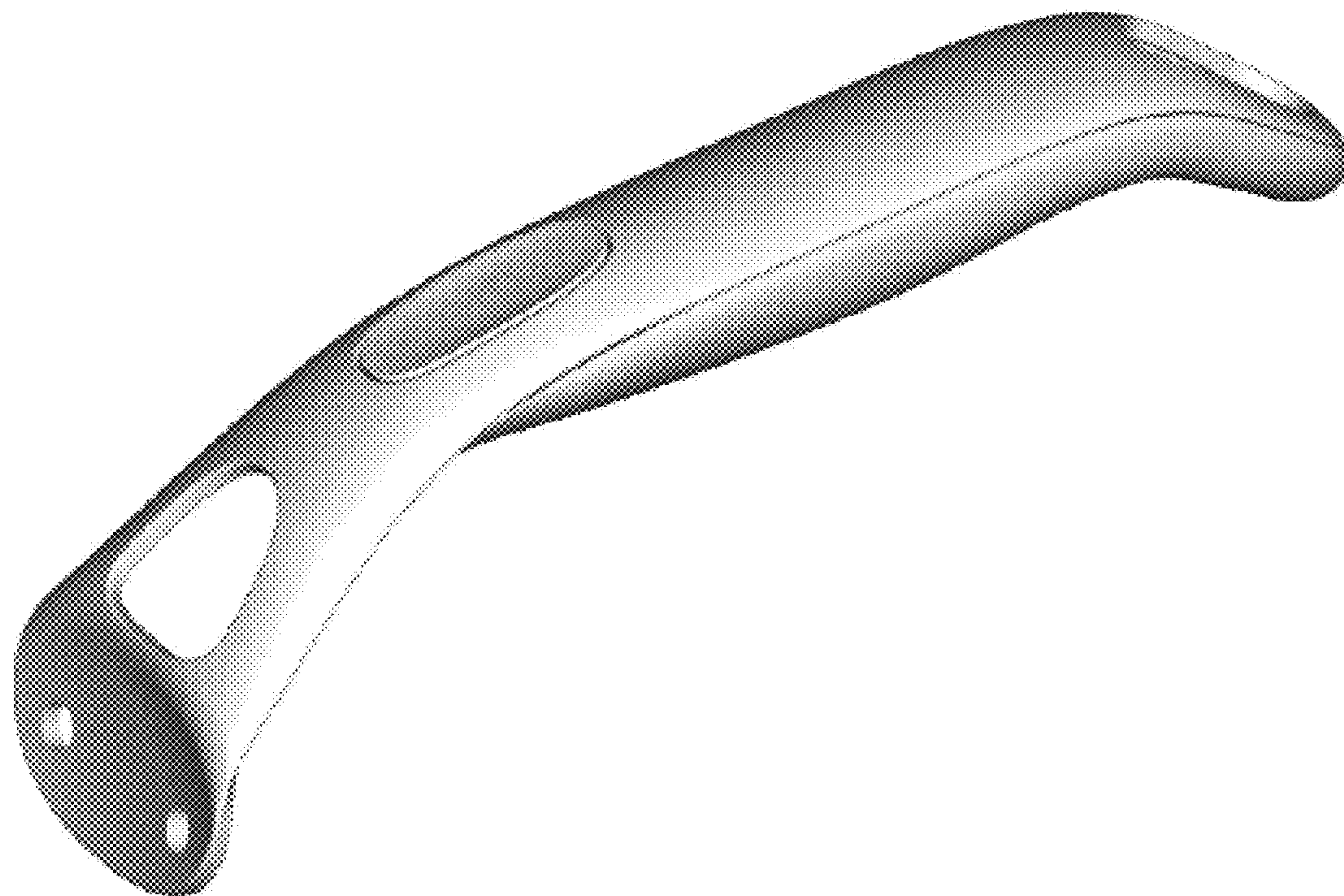
FIG. 3 is a top plan view thereof;

FIG. 4 is a bottom plan view thereof;

FIG. 5 is an enlarged view thereof from the right of FIG. 3; and,

FIG. 6 is a further enlarged view thereof from the left of FIG. 3.

1 Claim, 6 Drawing Sheets



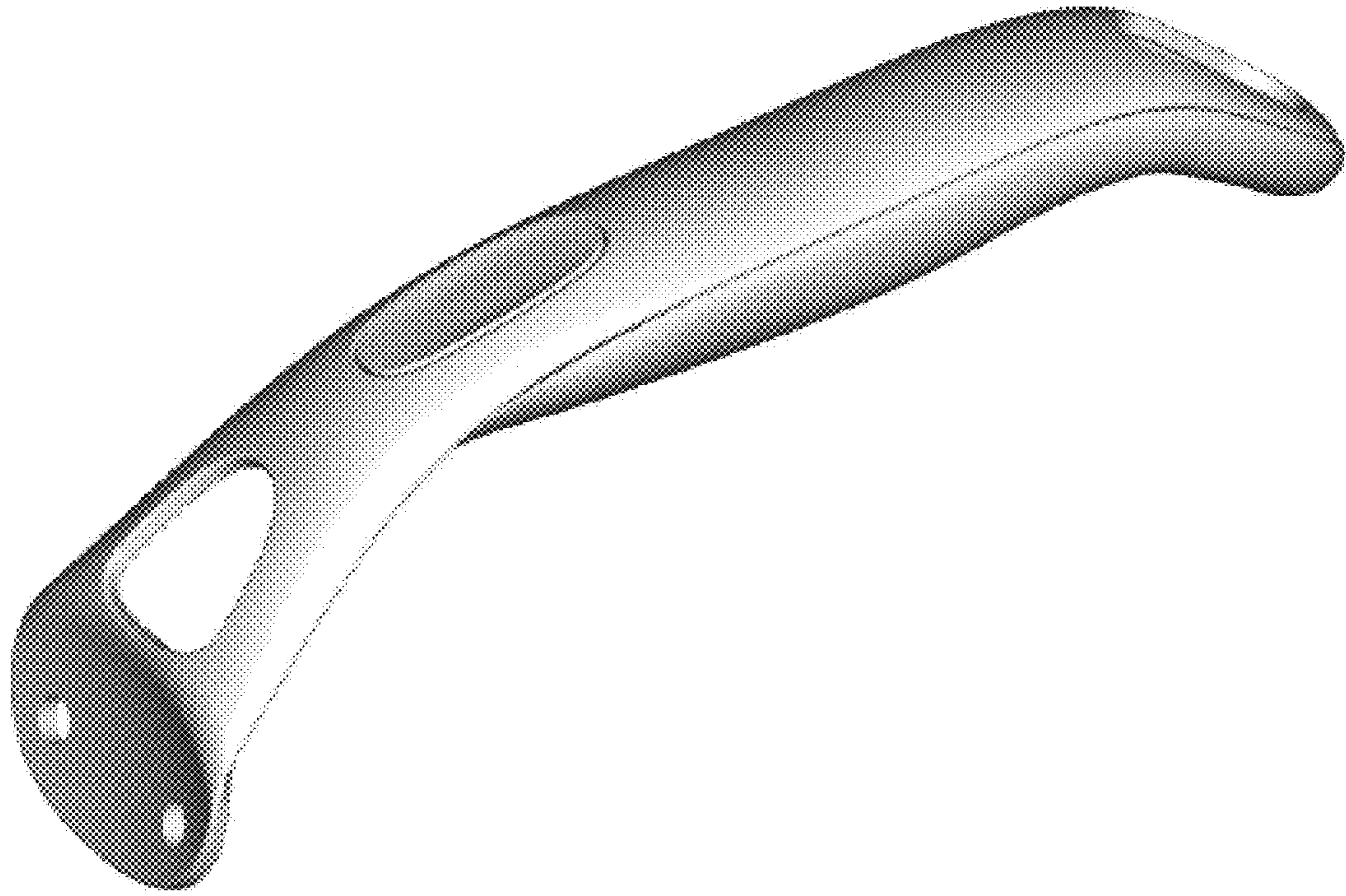


Fig. 1

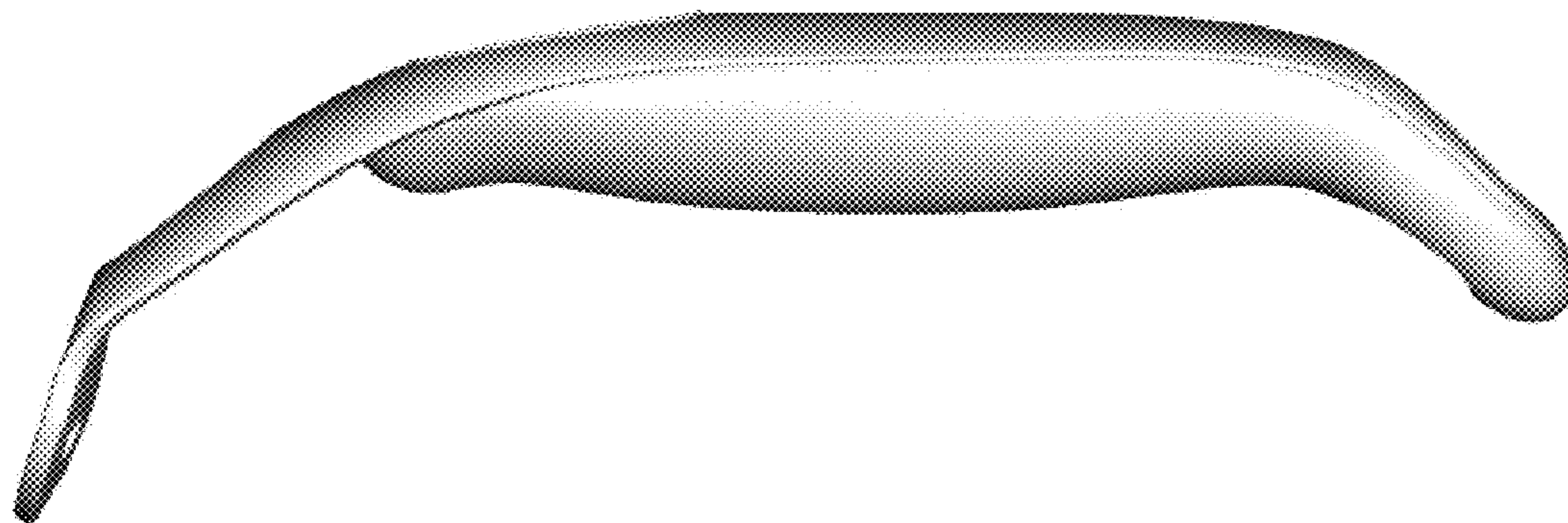


Fig. 2

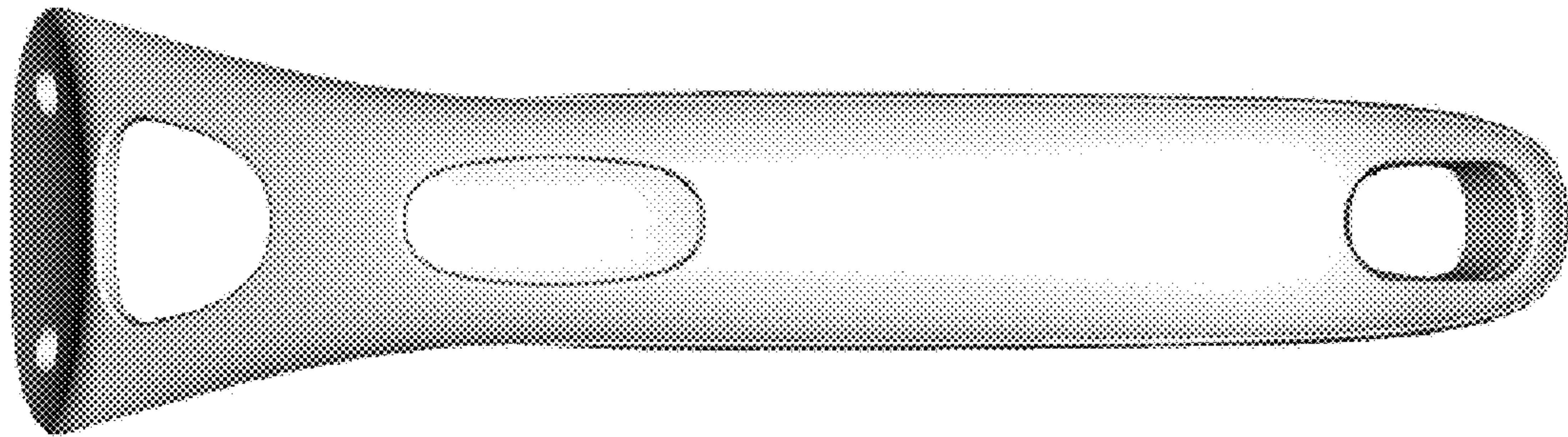


Fig. 3

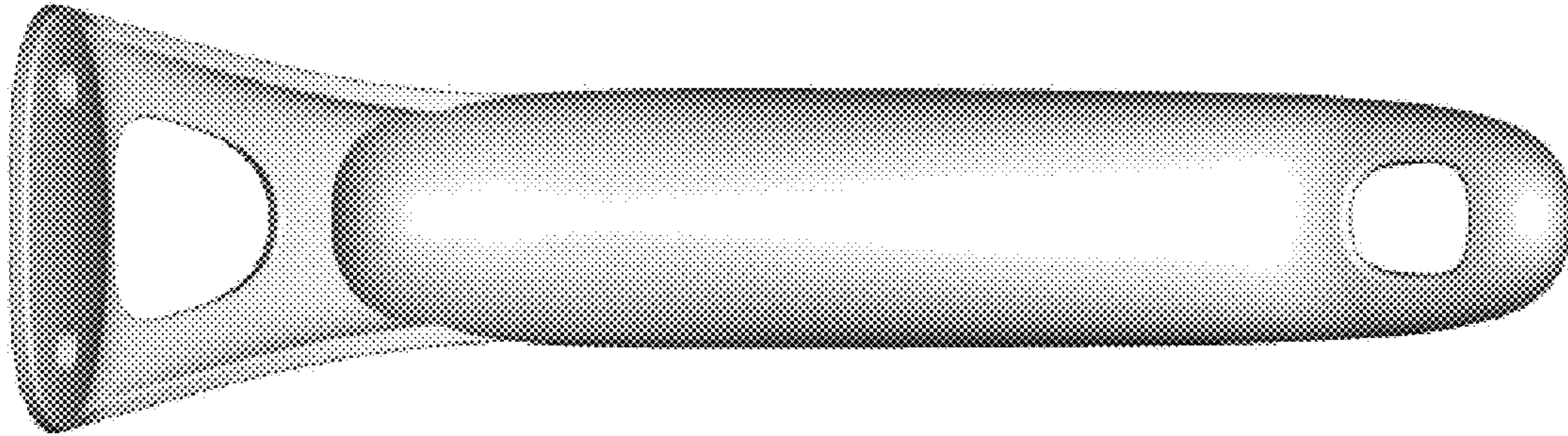


Fig. 4

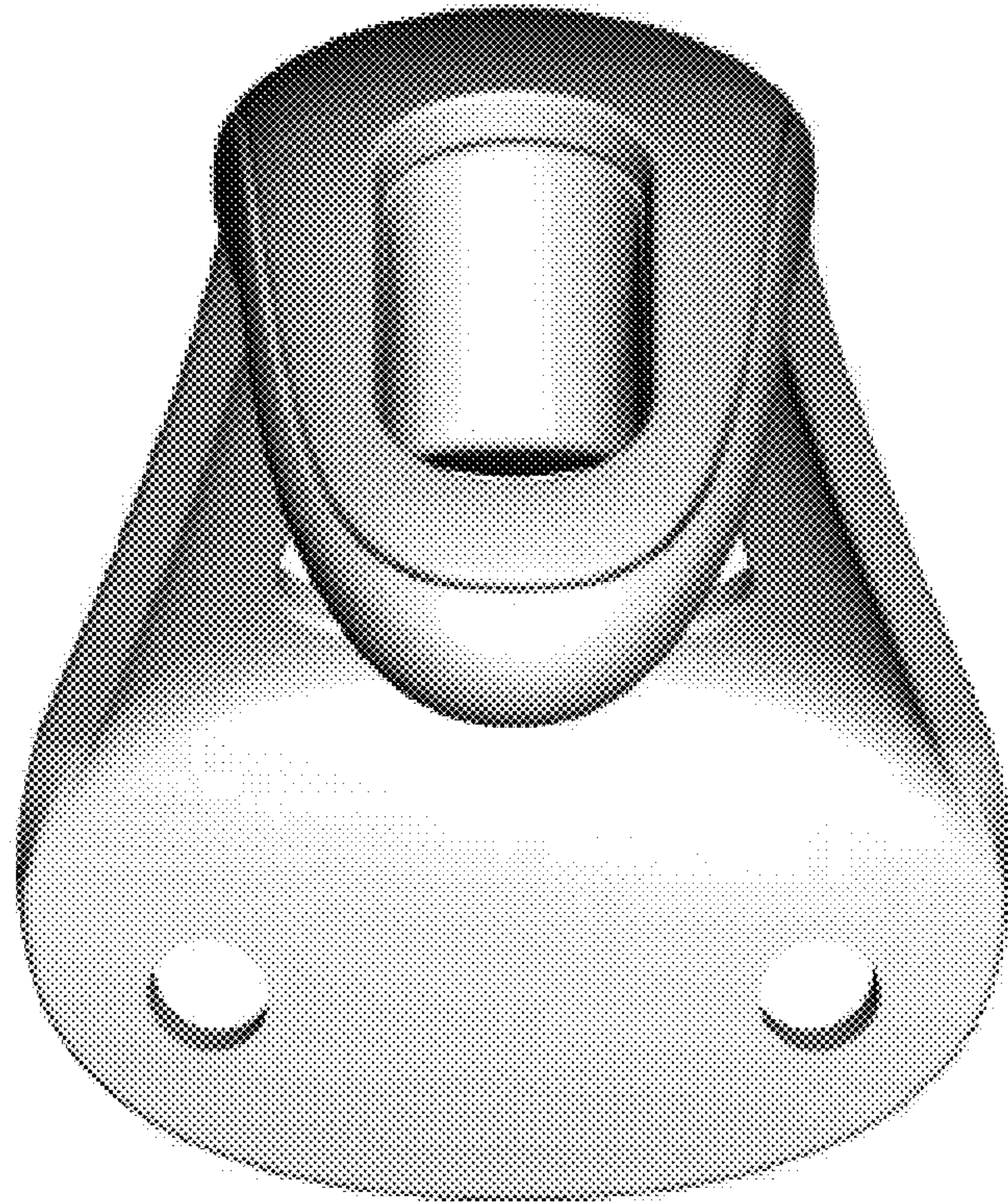


Fig. 5

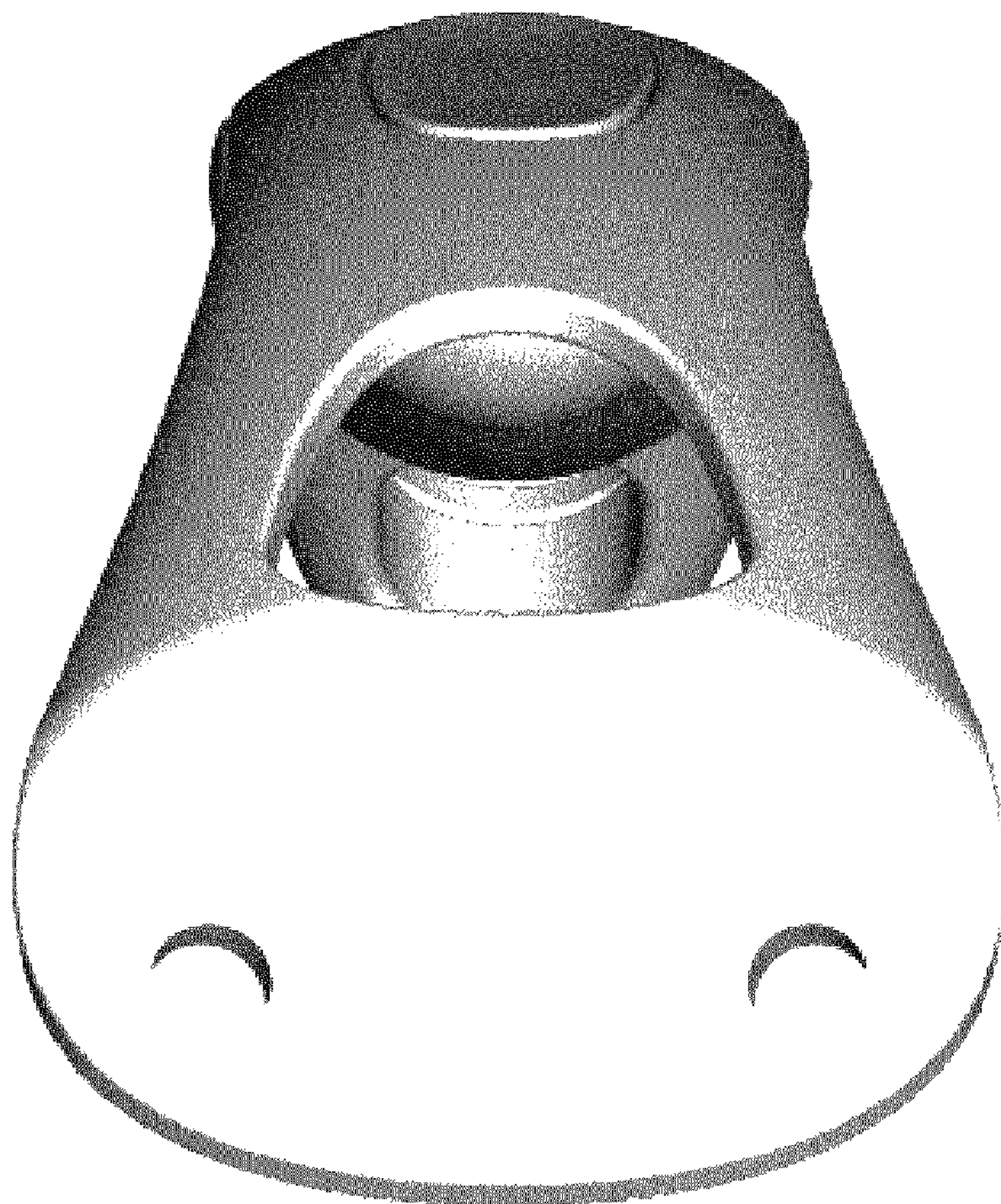


Fig. 6