



US00D630468S

(12) **United States Design Patent**
Fouquet

(10) **Patent No.:** **US D630,468 S**
(45) **Date of Patent:** **** Jan. 11, 2011**

(54) **APPLIANCE FOR FOOD GRATING AND ICE CUBE CRUSHING**

D373,703 S * 9/1996 Frisell D7/384
D475,572 S * 6/2003 Black D7/386
D586,625 S * 2/2009 Robins et al. D7/665

(75) Inventor: **Nicolas Fouquet**, Chassieu (FR)

* cited by examiner

(73) Assignee: **Santos**, Vaulv-en-Velin (FR)

Primary Examiner—Ricky Pham

(**) Term: **14 Years**

(74) *Attorney, Agent, or Firm*—Stites & Harbison PLLC;
Douglas E. Jackson

(21) Appl. No.: **29/359,377**

(57) **CLAIM**

(22) Filed: **Apr. 9, 2010**

The ornamental design for an appliance for food grating and ice cube crushing, as shown and described.

(30) **Foreign Application Priority Data**

Oct. 9, 2009 (EM) 001170047

DESCRIPTION

(51) **LOC (9) Cl.** **31-00**

(52) **U.S. Cl.** **D7/381**

(58) **Field of Classification Search** D7/305–311,
D7/317–318, 355, 372, 374, 376–386, 412–415,
D7/665; 99/348, 509–511; 241/30–37.5,
241/101.01–101.2, 166–169.1, 285.1–285.3,
241/291, 292.1; 366/64–67, 98, 142, 197–211,
366/241–254, 279–292, 341–347

FIG. 1 is front view showing the new design of a appliance for food grating and ice cube crushing according to the present invention.

FIG. 2 is rear view thereof.

FIG. 3 is a left side view thereof.

FIG. 4 is a right side view thereof.

FIG. 5 is a top view thereof.

FIG. 6 is a bottom view thereof; and,

FIG. 7 is a perspective front, top and left side view thereof.

The broken lines shown in FIG. 6 are for illustrative purposes only and form no part of the claimed design.

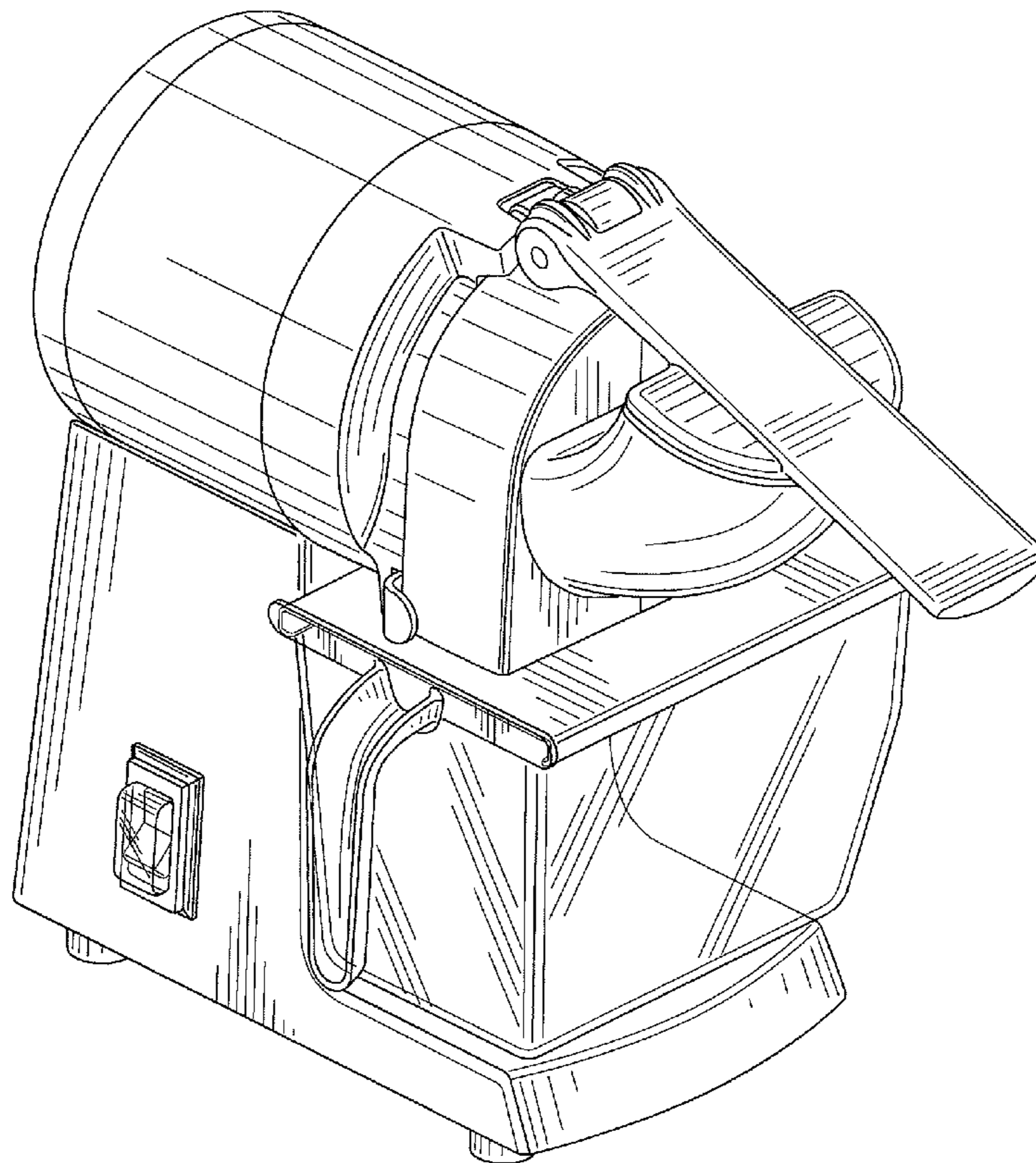
See application file for complete search history.

(56) **References Cited**

U.S. PATENT DOCUMENTS

D254,948 S * 5/1980 Besford D7/384
D261,719 S * 11/1981 Gibiec D7/355

1 Claim, 7 Drawing Sheets



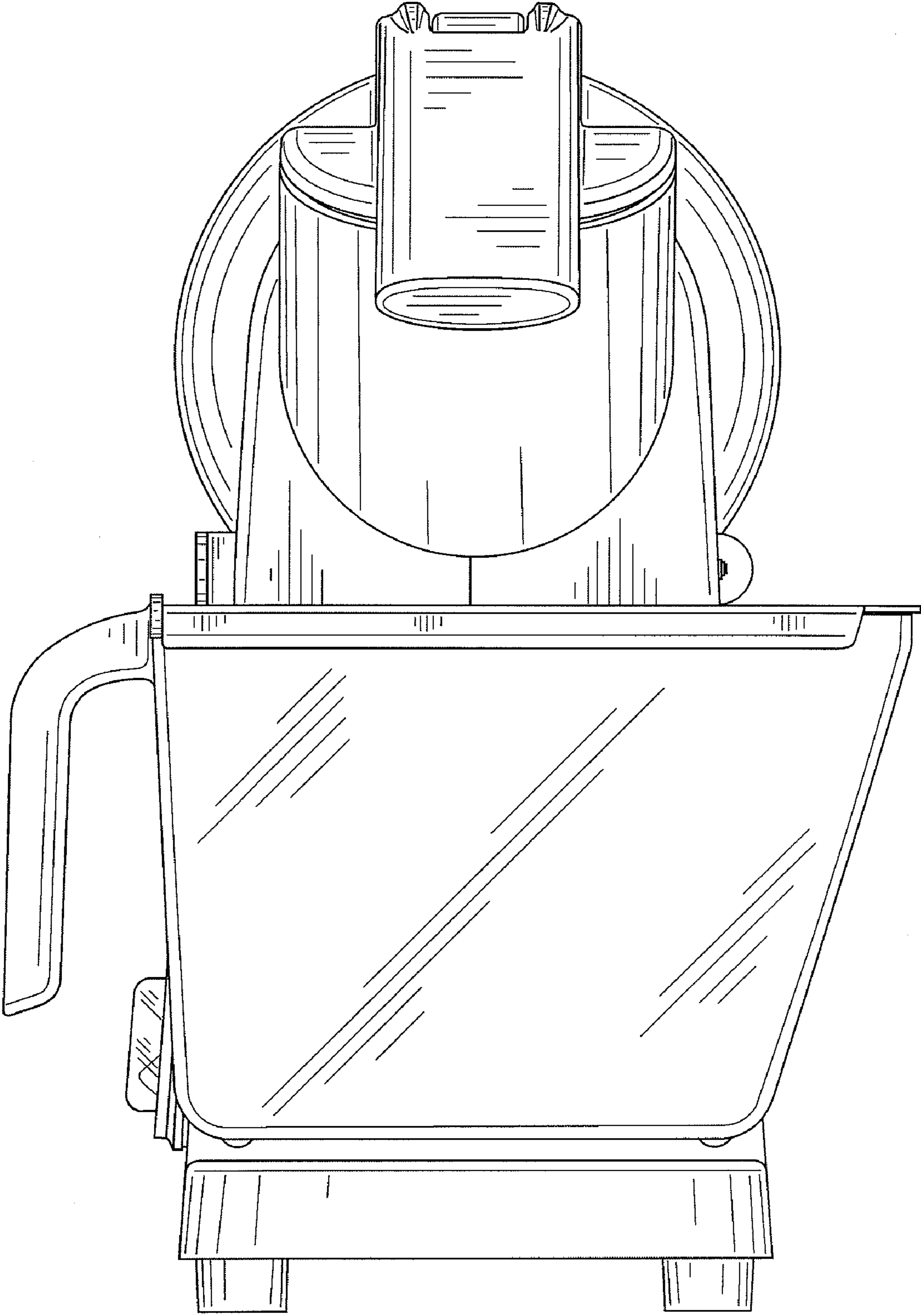


FIG. 1

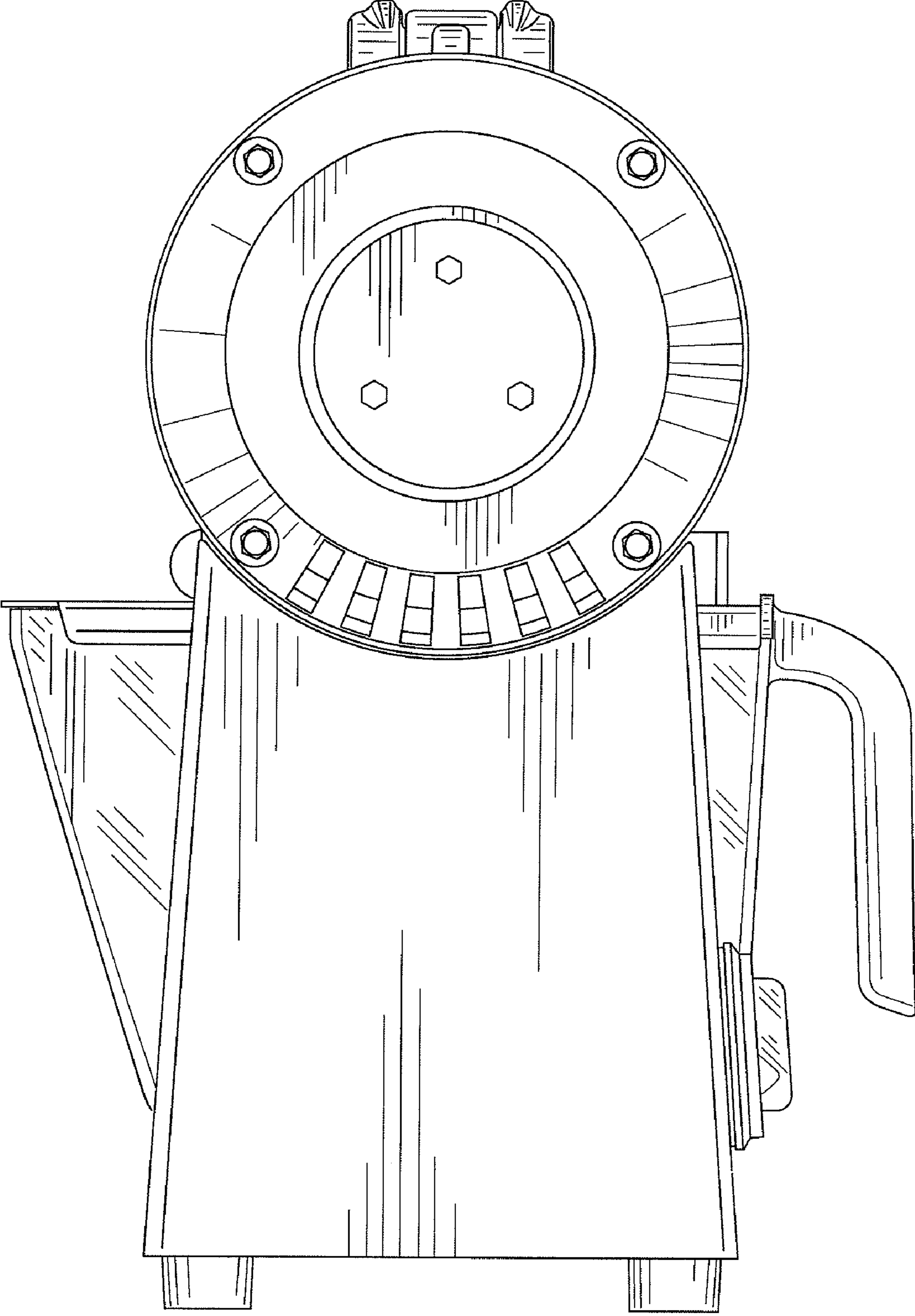


FIG. 2

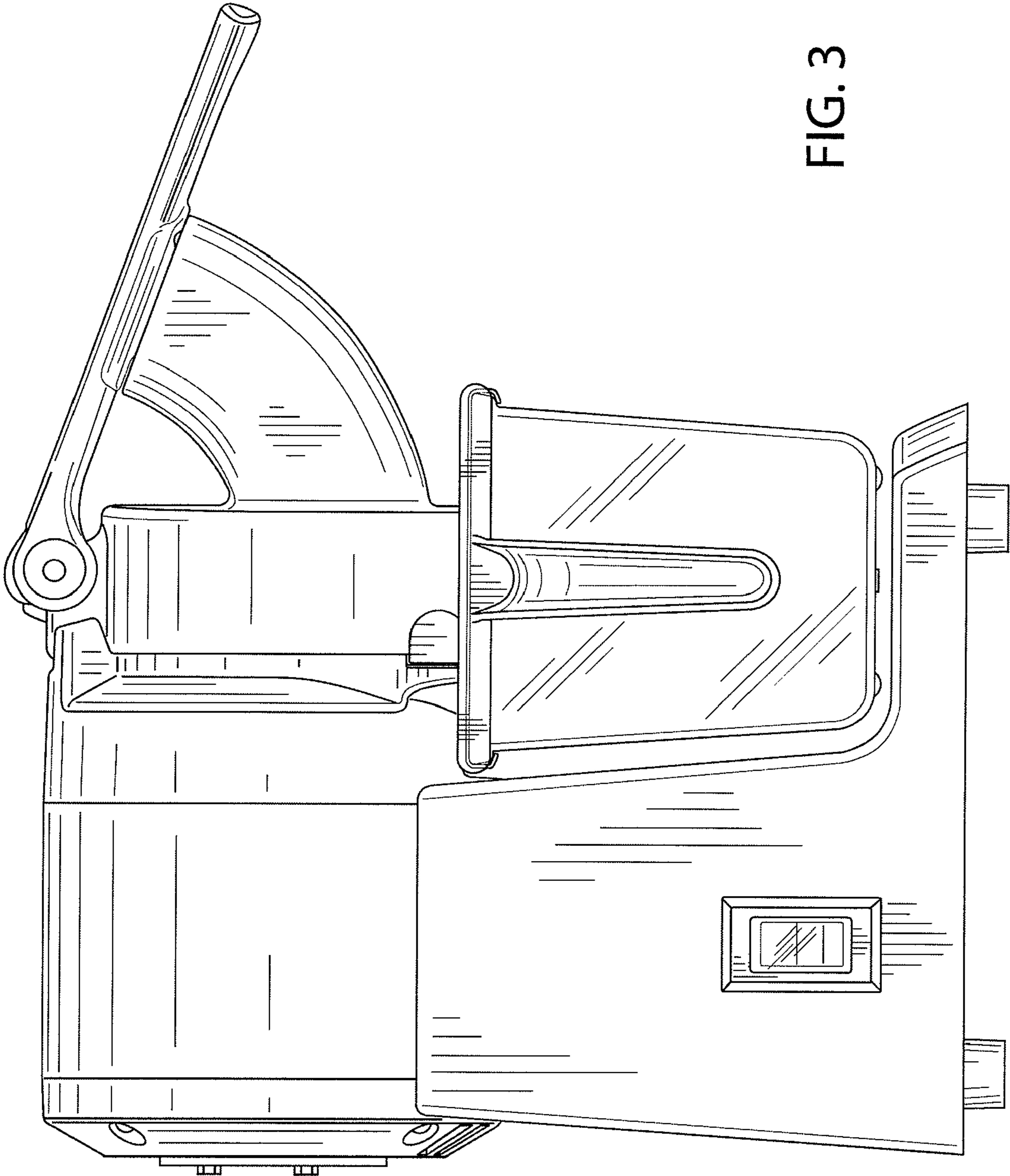


FIG. 3

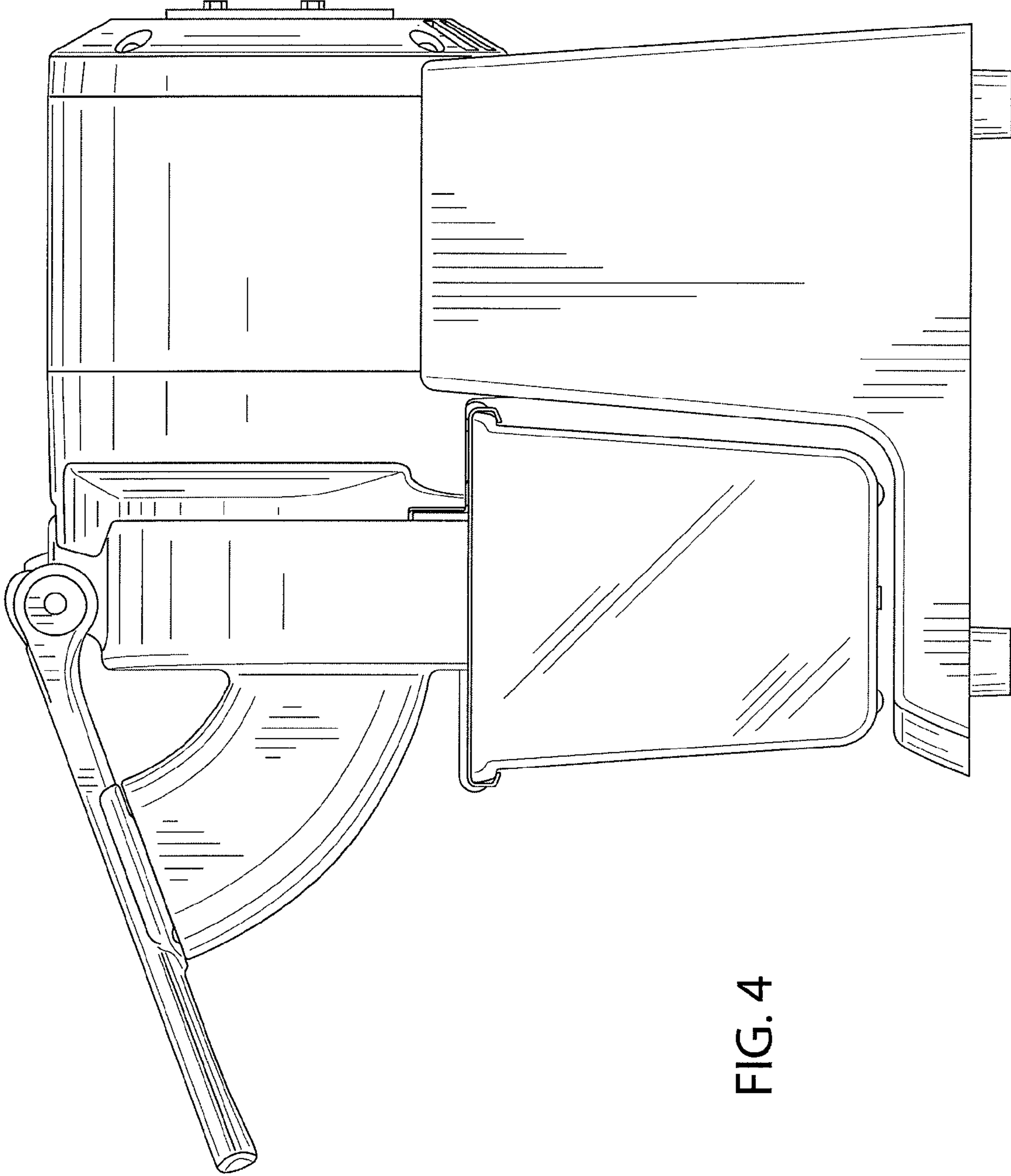


FIG. 4

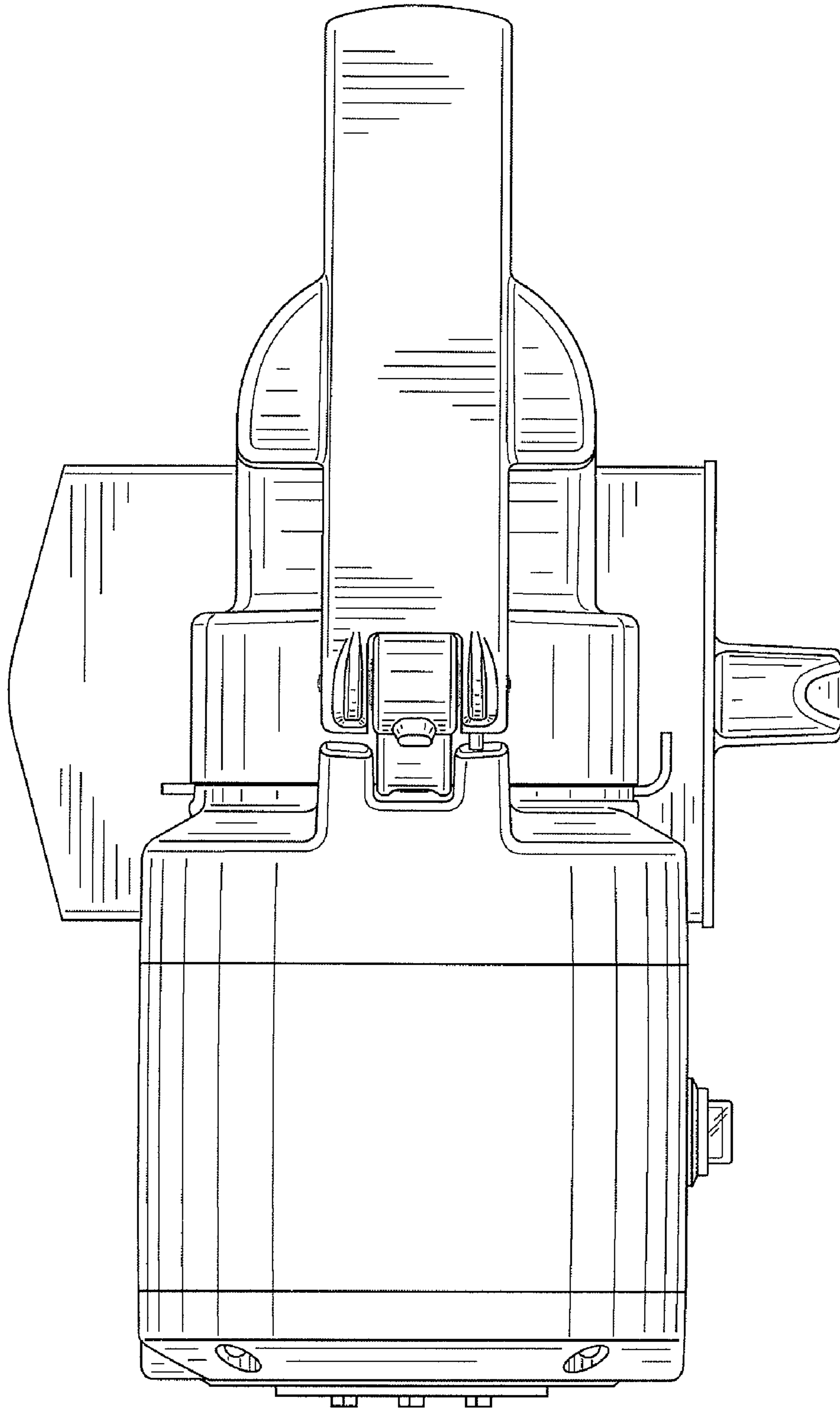


FIG. 5

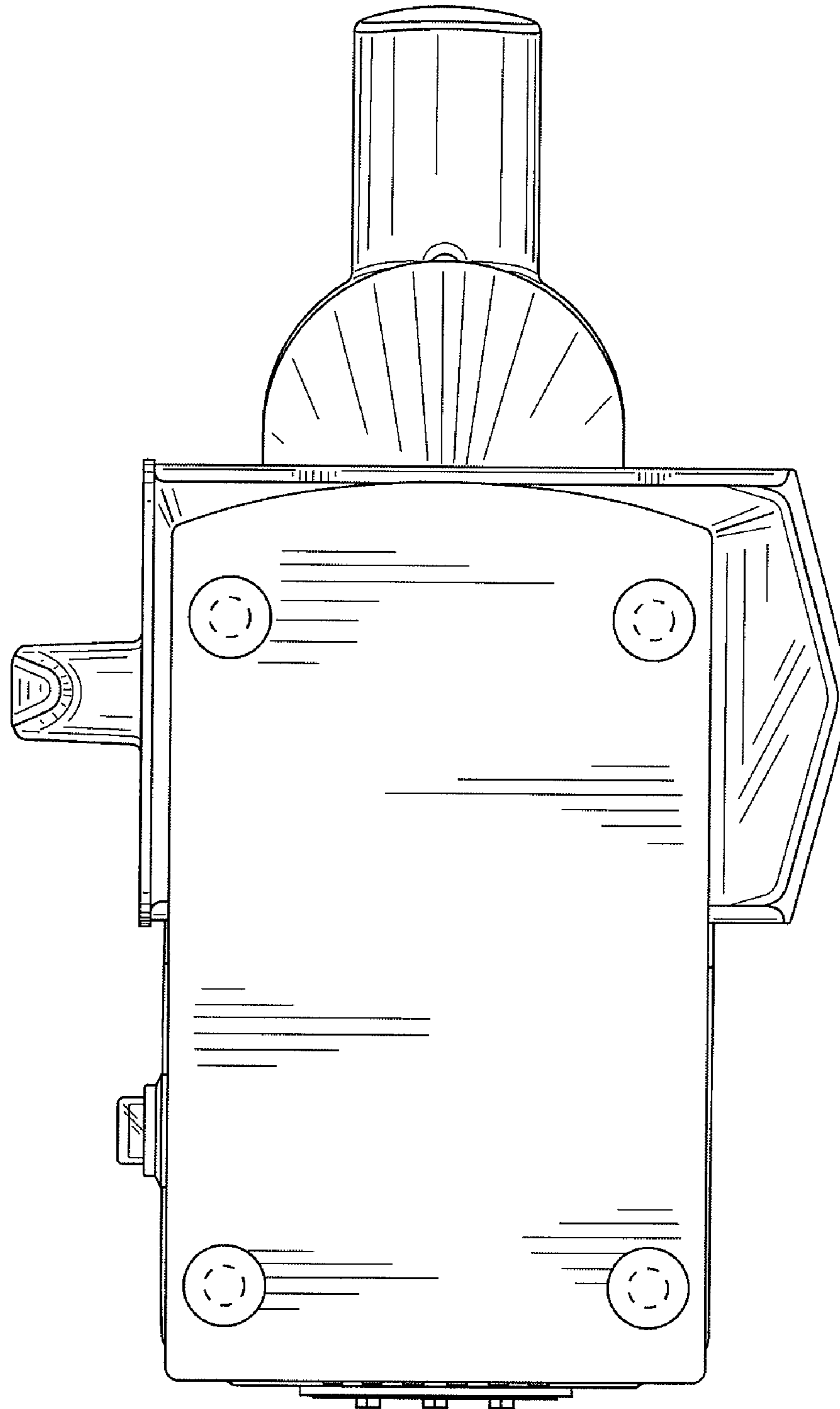


FIG. 6

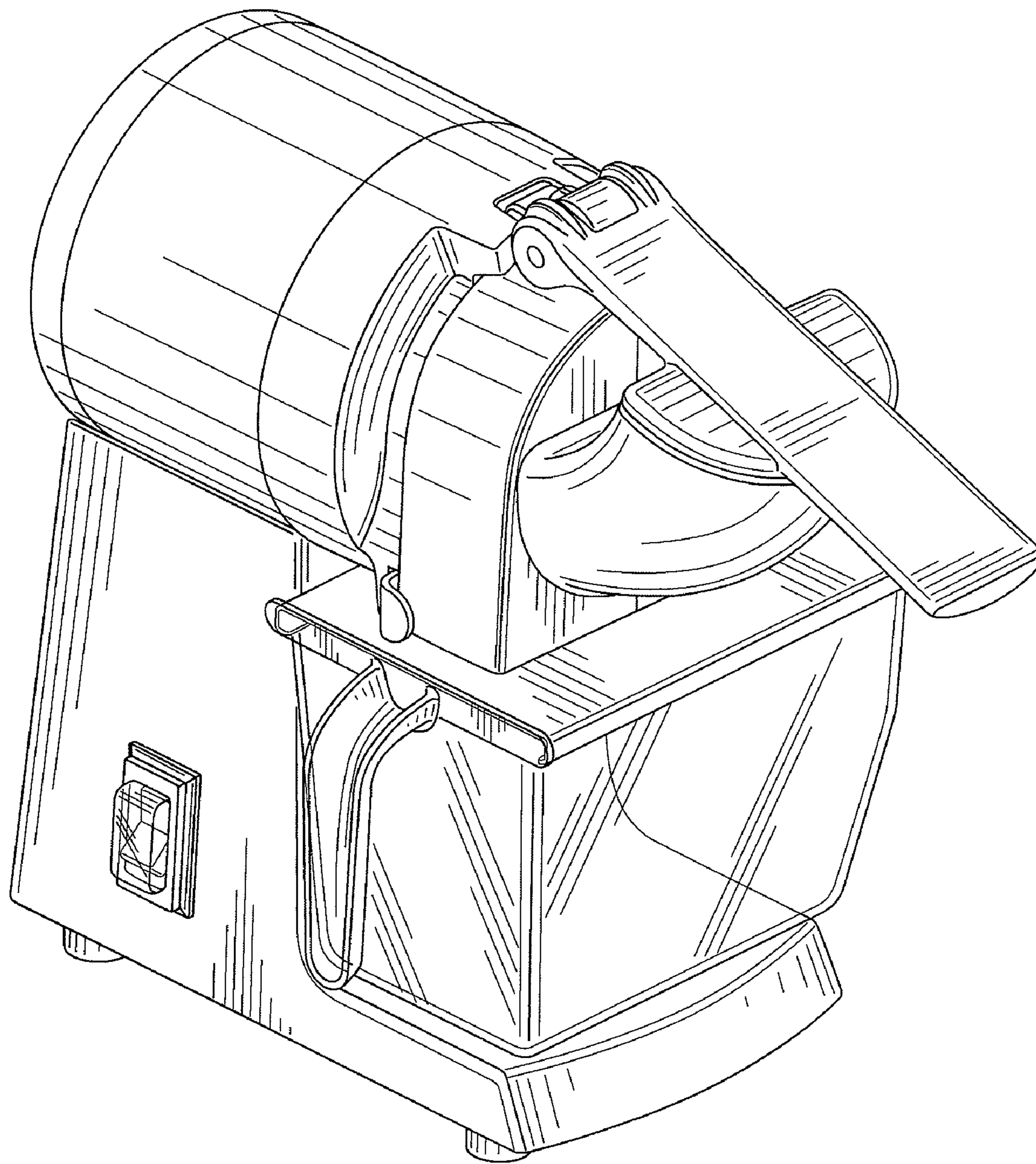


FIG. 7