



US00D630467S

(12) **United States Design Patent**
Harrod

(10) **Patent No.:** **US D630,467 S**
(45) **Date of Patent:** **** Jan. 11, 2011**

(54) **MILK FROTHER**

(75) Inventor: **Richard Harrod**, Erskineville (AU)

(73) Assignee: **Breville Pty Limited**, Botany, NSW (AU)

(**) Term: **14 Years**

(21) Appl. No.: **29/368,412**

(22) Filed: **Aug. 24, 2010**

(30) **Foreign Application Priority Data**

Feb. 24, 2010 (AU) 10614/2010

(51) **LOC (9) Cl.** **31-00**

(52) **U.S. Cl.** **D7/376; D7/372; D7/378; D7/384**

(58) **Field of Classification Search** D7/305-311, D7/317-319, 372, 376-386, 396.6, 412-415, D7/665; 99/348, 509-511; 241/30-37.5, 241/101.01-101.2, 166-169.1, 285.1-285.3, 241/291, 292.1; 366/64-67, 98, 142, 197-211, 366/241-254, 279-292, 341-347
See application file for complete search history.

(56) **References Cited**

U.S. PATENT DOCUMENTS

D260,350 S * 8/1981 Kahlcke D7/378
D290,677 S * 7/1987 Stutzer et al. D7/384

D420,850 S * 2/2000 Endres D7/396.6
D507,149 S * 7/2005 Ball et al. D7/386
D578,340 S * 10/2008 Picozza et al. D7/378
D607,685 S * 1/2010 Elissen D7/318
D607,686 S * 1/2010 Elissen D7/319
D621,206 S * 8/2010 Matta et al. D7/372

* cited by examiner

Primary Examiner—Ricky Pham

(74) *Attorney, Agent, or Firm*—Molins & Co.

(57) **CLAIM**

The ornamental design for a milk frother, as shown and described.

DESCRIPTION

FIG. 1 is a front perspective view of a milk frother showing my new design;

FIG. 2 is a rear perspective view thereof;

FIG. 3 is a front view thereof;

FIG. 4 is a back view thereof;

FIG. 5 is a left side view thereof;

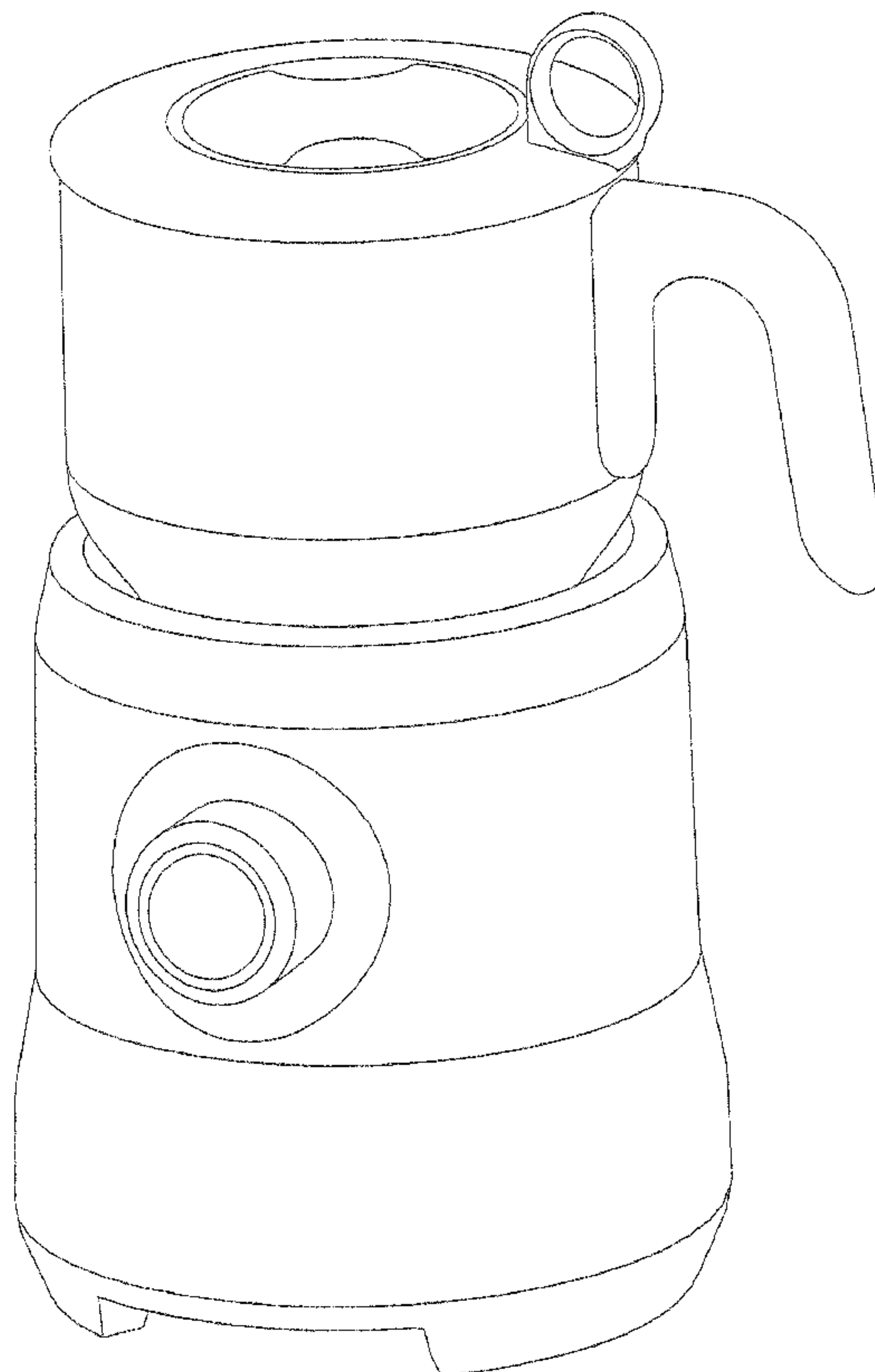
FIG. 6 is a right side view thereof;

FIG. 7 is a bottom view thereof; and,

FIG. 8 is a top view thereof.

The broken lines shown in the drawings are for illustrative purposes only and form no part of the claimed design.

1 Claim, 8 Drawing Sheets



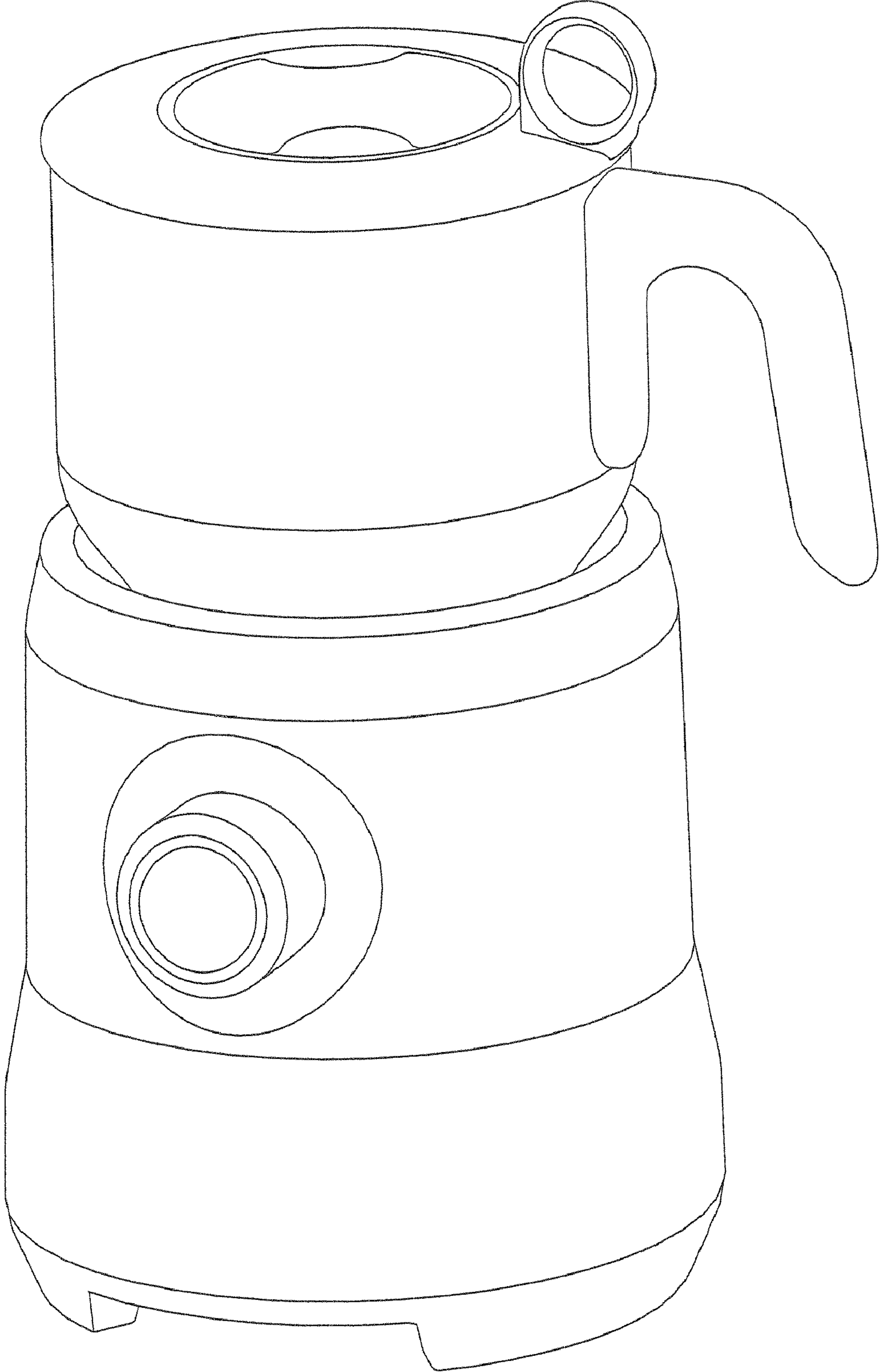


Figure 1

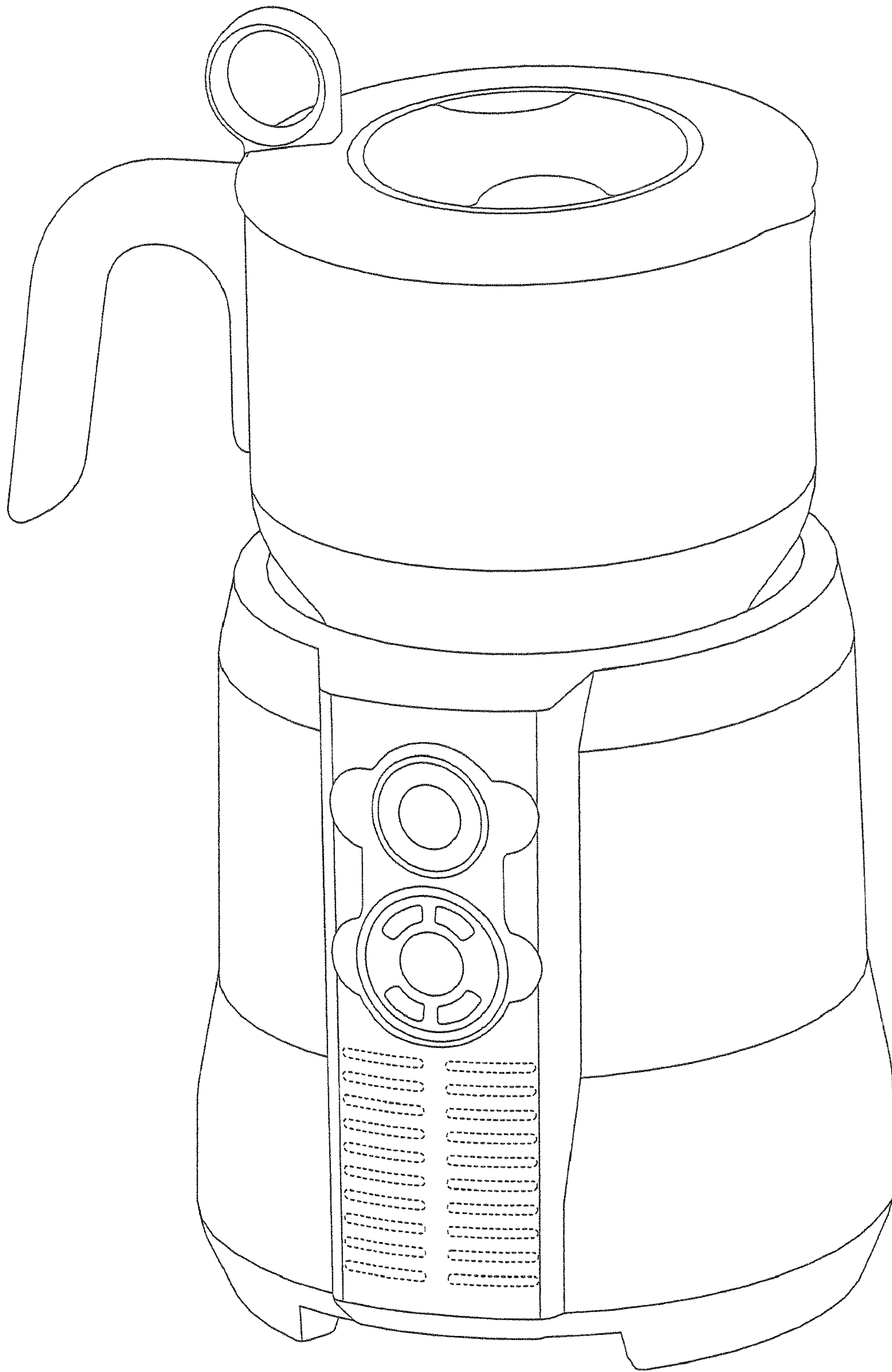


Figure 2

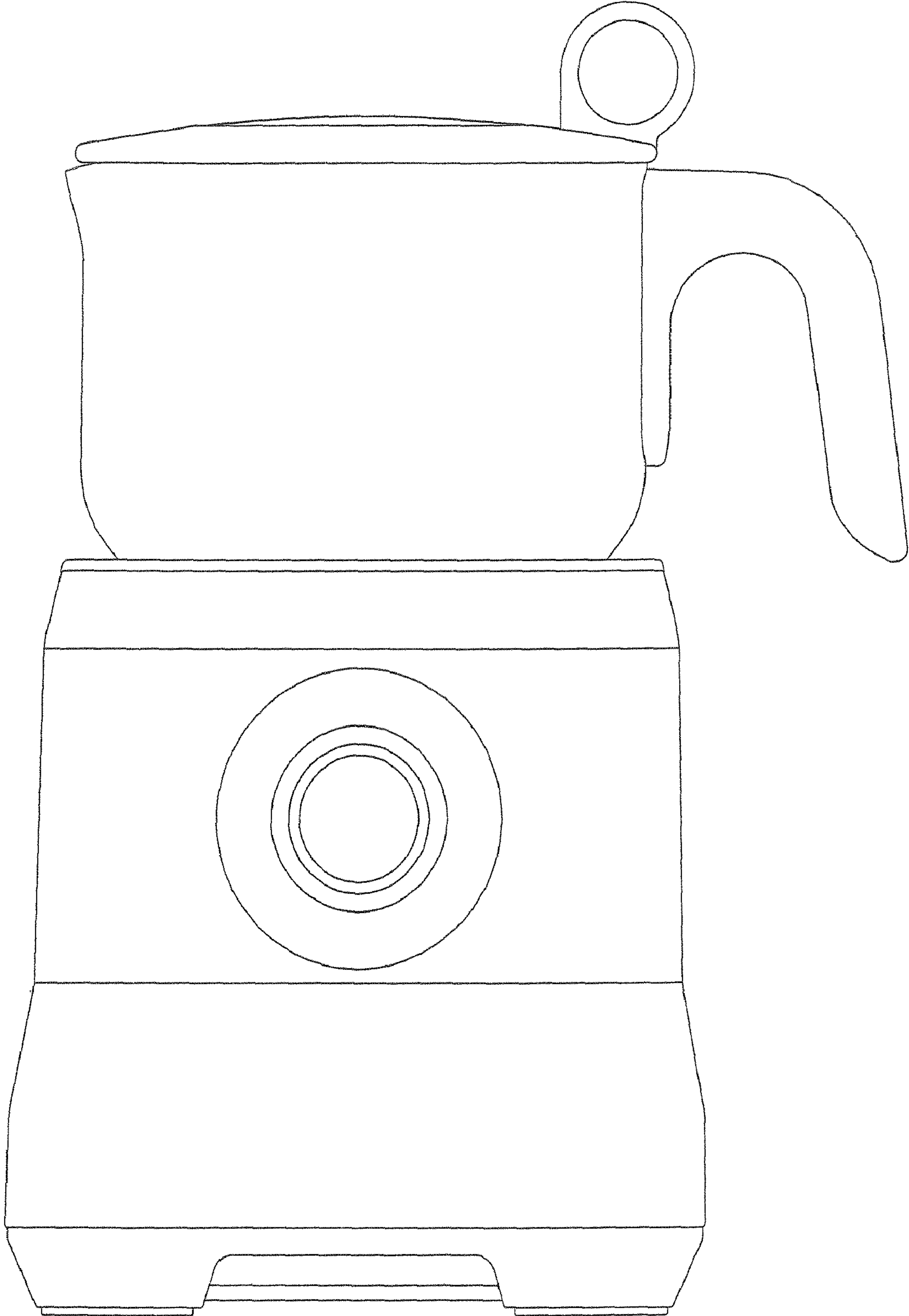


Figure 3

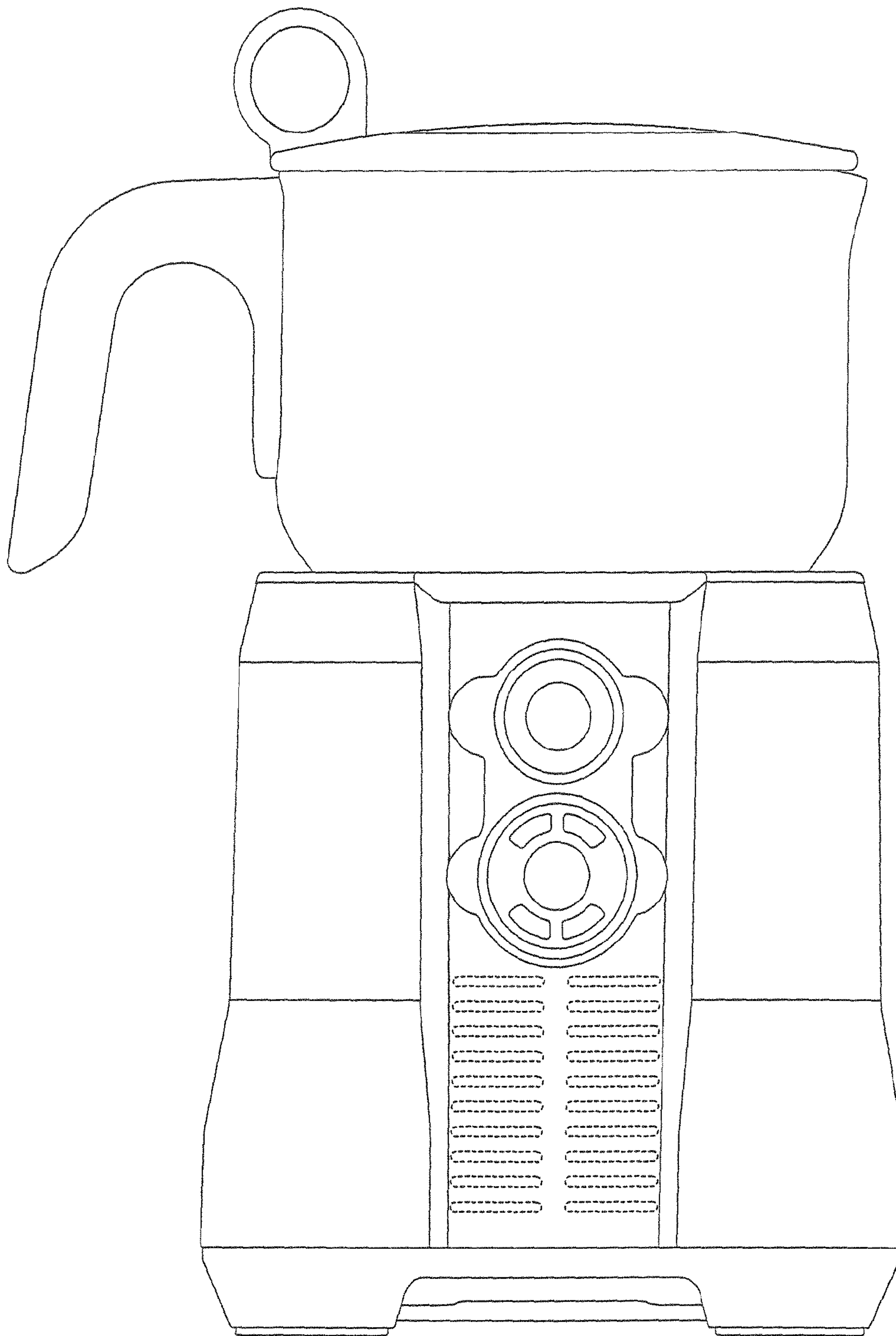


Figure 4

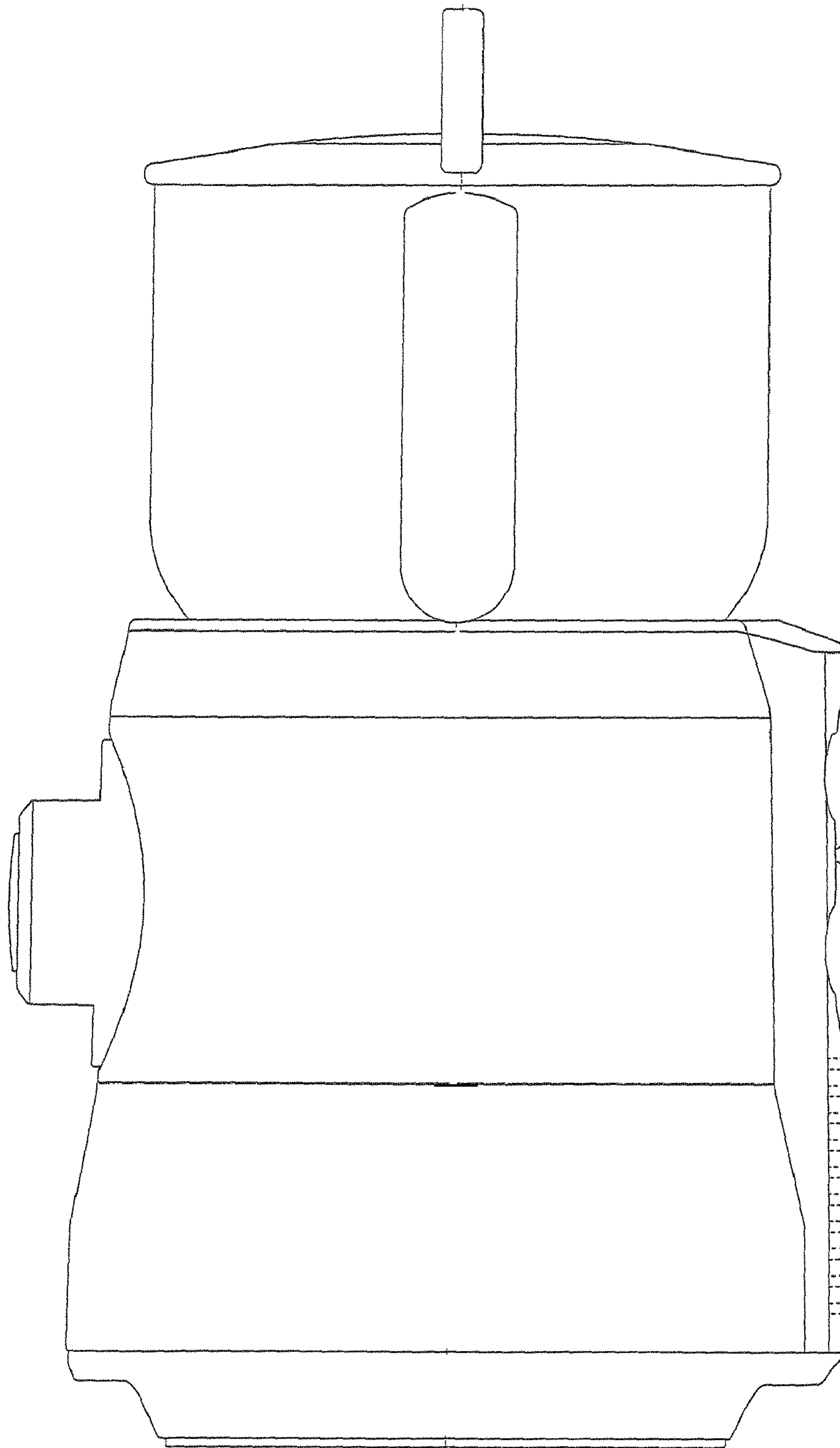


Figure 5

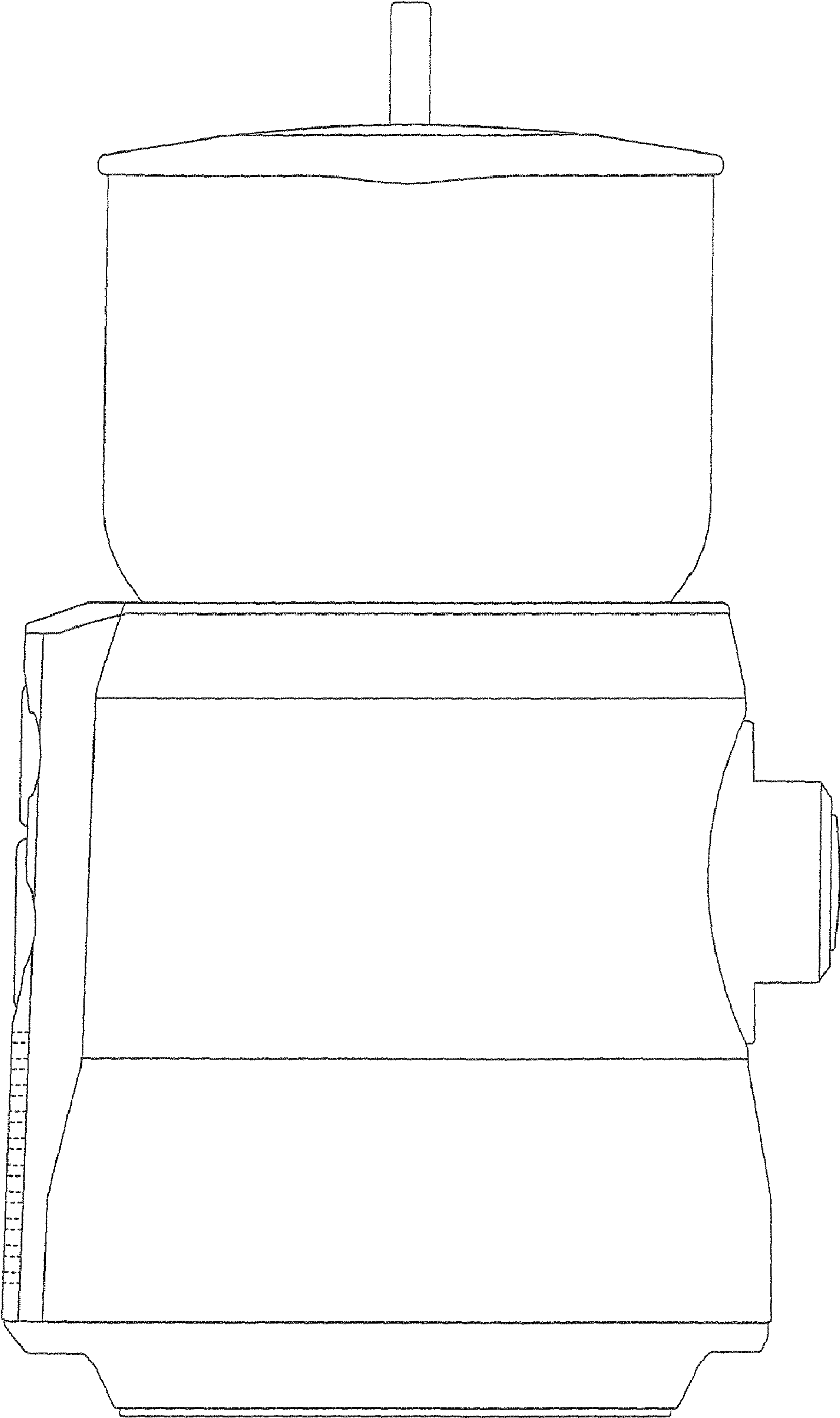


Figure 6

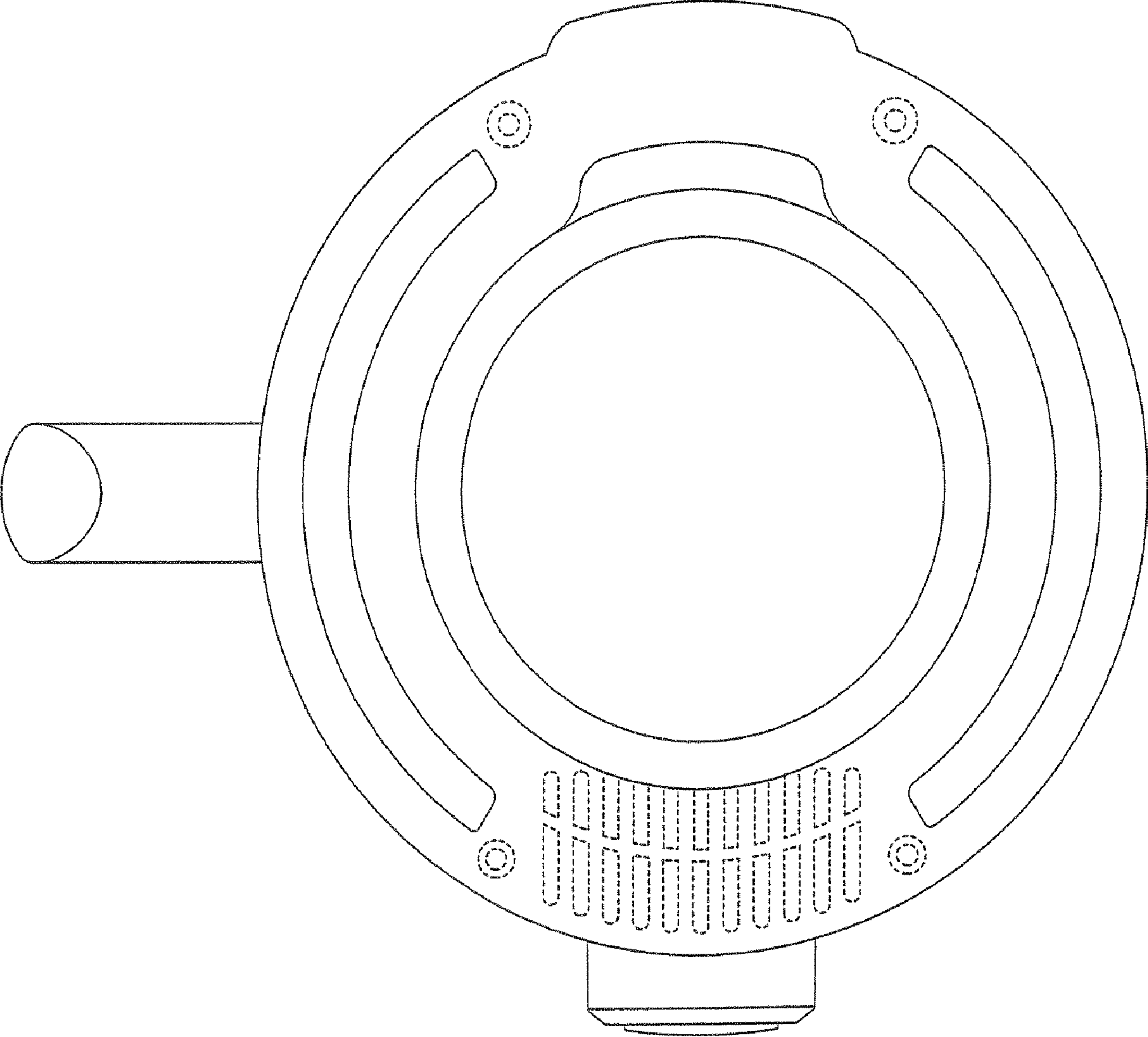


Figure 7

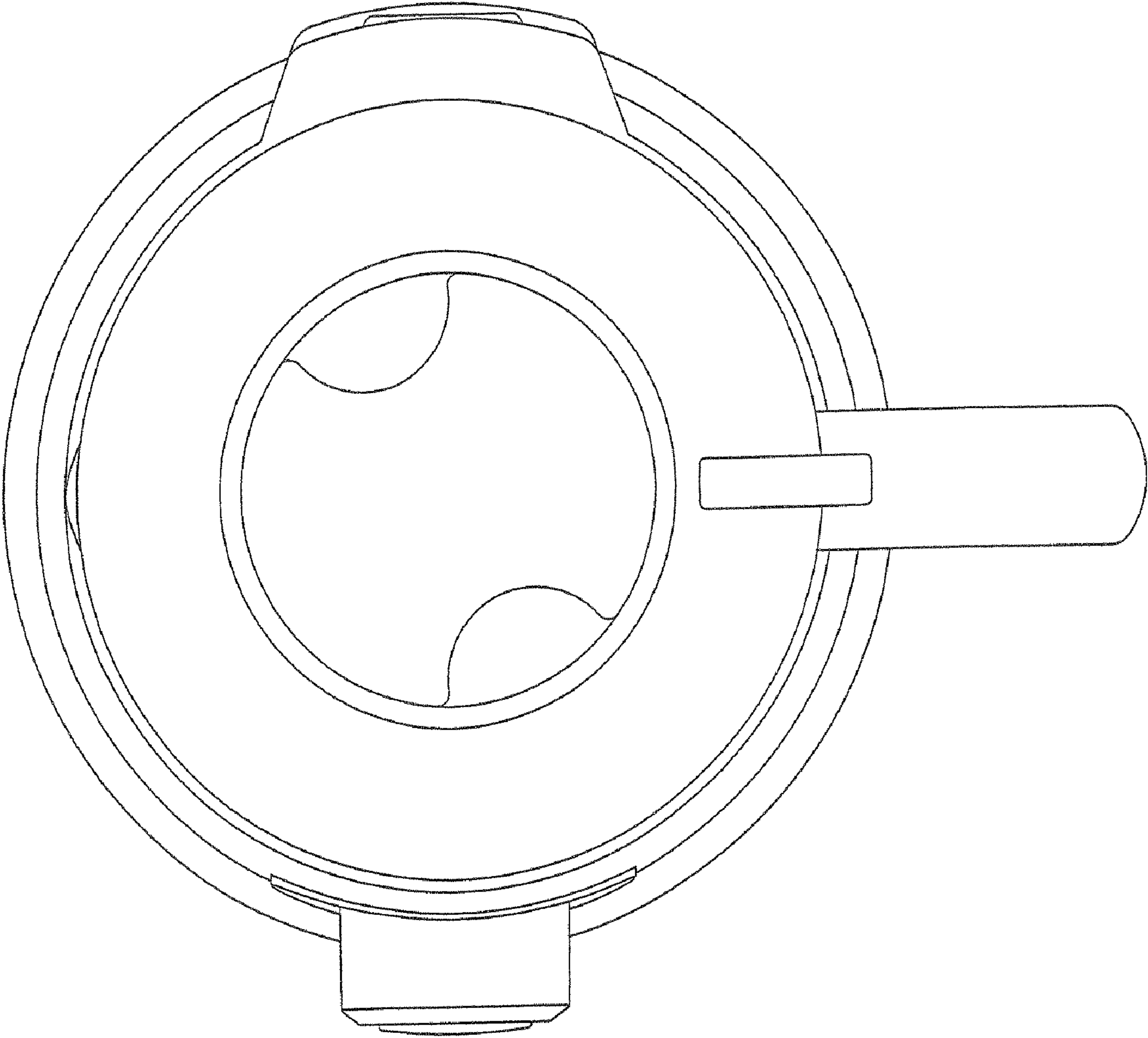


Figure 8