



US00D630465S

(12) **United States Design Patent**
Chung

(10) **Patent No.:** **US D630,465 S**

(45) **Date of Patent:** **** Jan. 11, 2011**

(54) **BARBECUE GRILL**

D600,970 S * 9/2009 Chung D7/337
D610,861 S * 3/2010 Chung D7/337

(76) Inventor: **Kiosky Chung**, No. 72, Chaoguei Rd.,
Situn District, Taichung City 407 (TW)

* cited by examiner

(**) Term: **14 Years**

Primary Examiner—Ruth McInroy
(74) *Attorney, Agent, or Firm*—Banger Shia

(21) Appl. No.: **29/344,470**

(57) **CLAIM**

(22) Filed: **Sep. 29, 2009**

I claim the ornamental design for a barbecue grill, as shown and described.

(51) **LOC (9) Cl.** **07-02**

(52) **U.S. Cl.** **D7/337**

(58) **Field of Classification Search** 33/394,
33/332, 334–337, 402–404; 126/25 R, 9 R,
126/40, 50, 41 R, 38; 431/344; 99/425
See application file for complete search history.

DESCRIPTION

FIG. 1 is a perspective view of a barbecue grill, showing my new design;

FIG. 2 is a front elevational view thereof;

FIG. 3 is a rear elevational view thereof;

FIG. 4 is a left side elevational view thereof;

FIG. 5 is a right side elevational view thereof;

FIG. 6 is a top plan view thereof; and,

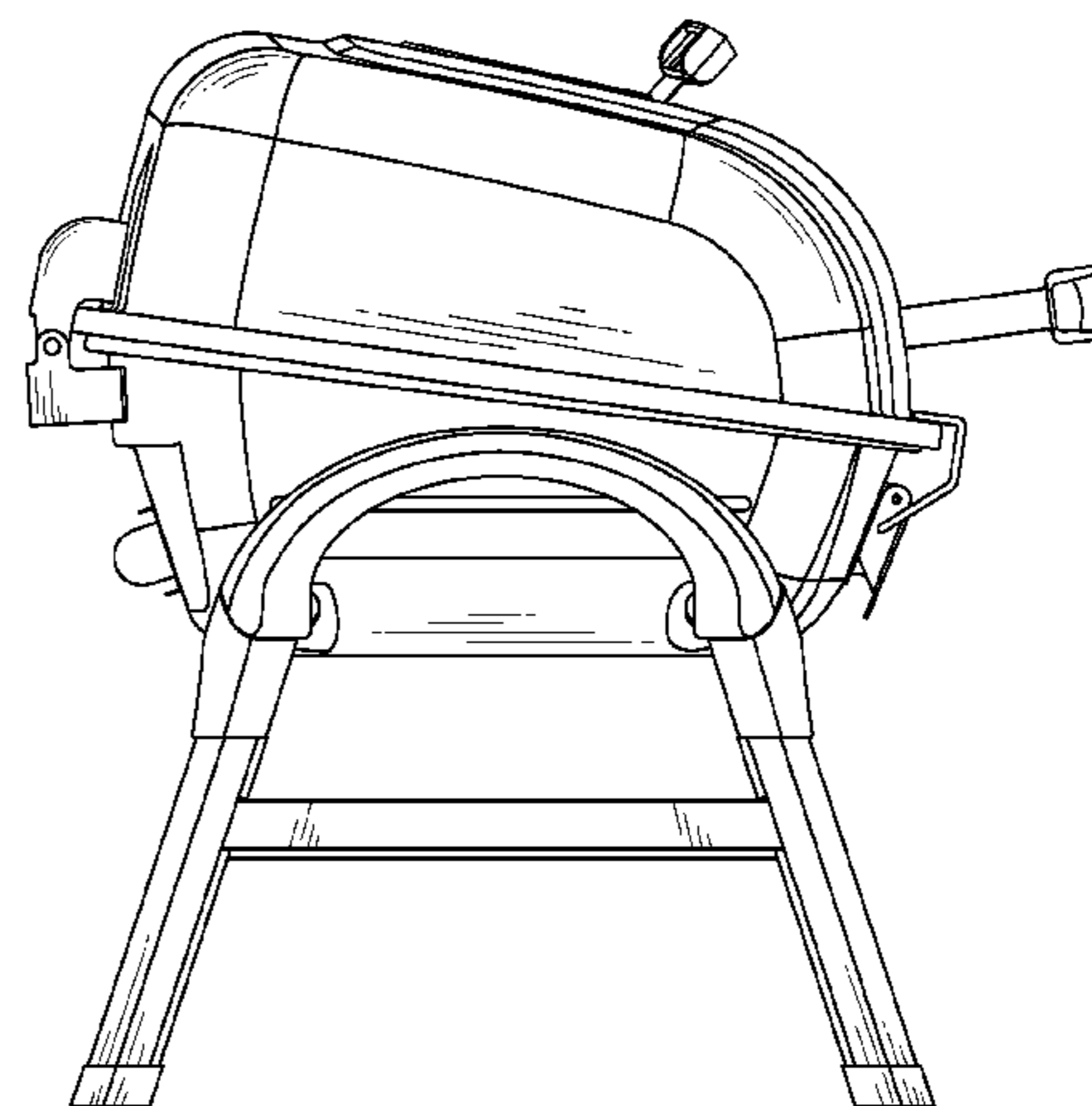
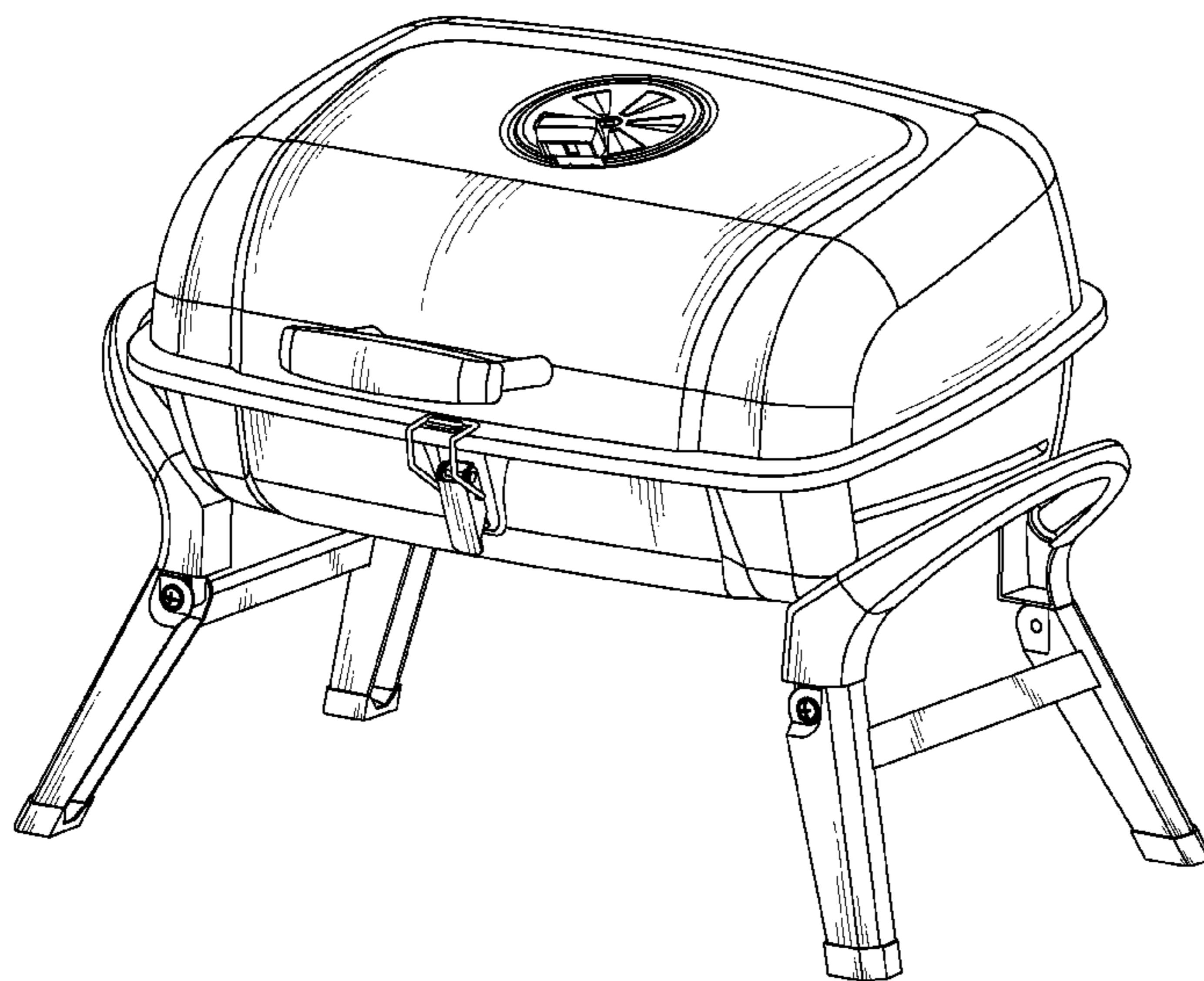
FIG. 7 is a bottom plan view thereof.

(56) **References Cited**

U.S. PATENT DOCUMENTS

D498,113 S	*	11/2004	Zhang	D7/332
D499,299 S	*	12/2004	Zhang	D7/337
D511,433 S	*	11/2005	Zhang	D7/337
D513,149 S	*	12/2005	Zhang	D7/337
D515,863 S	*	2/2006	Chung	D7/337
D549,038 S	*	8/2007	Chung	D7/337

1 Claim, 7 Drawing Sheets



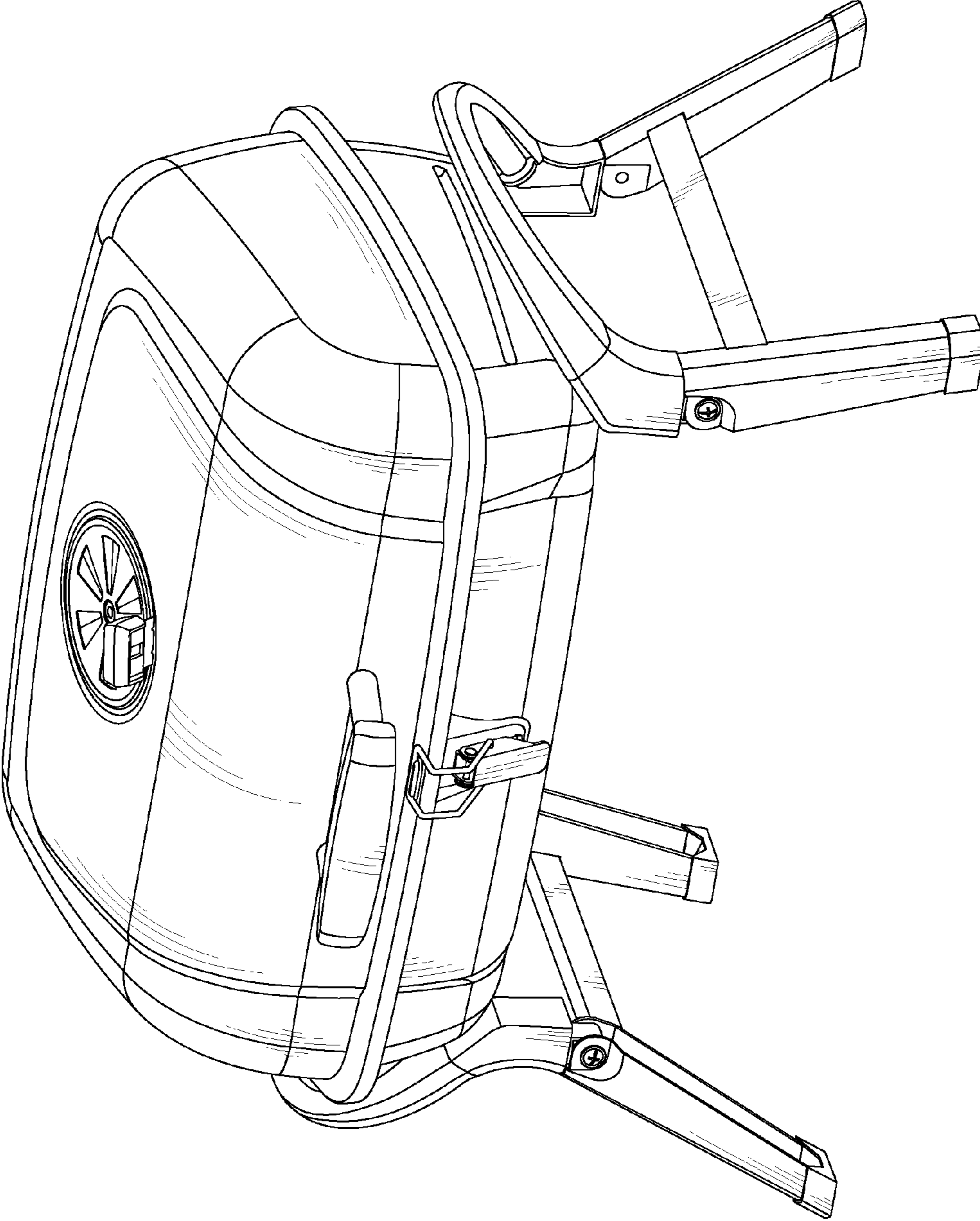


FIG. 1

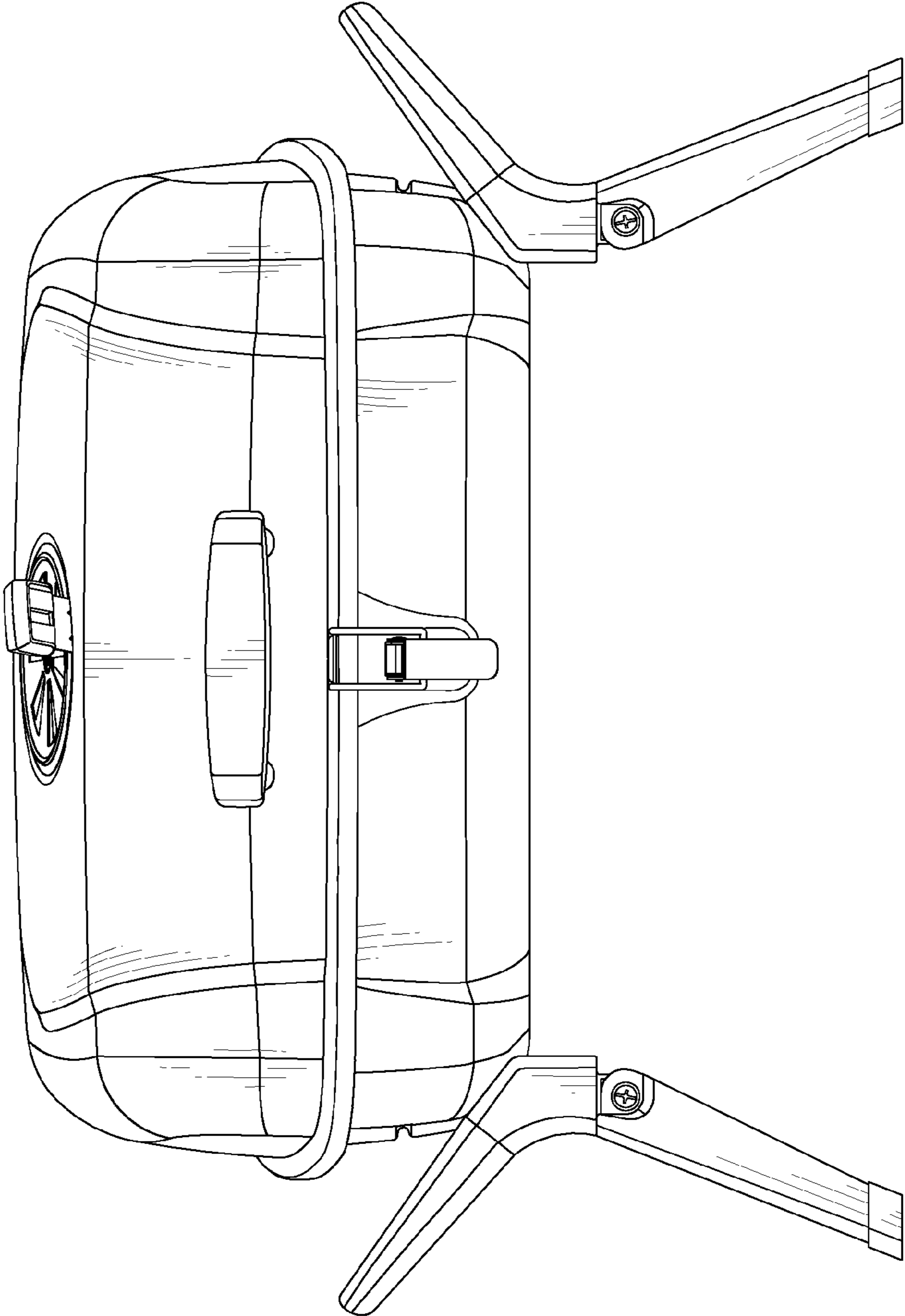


FIG. 2

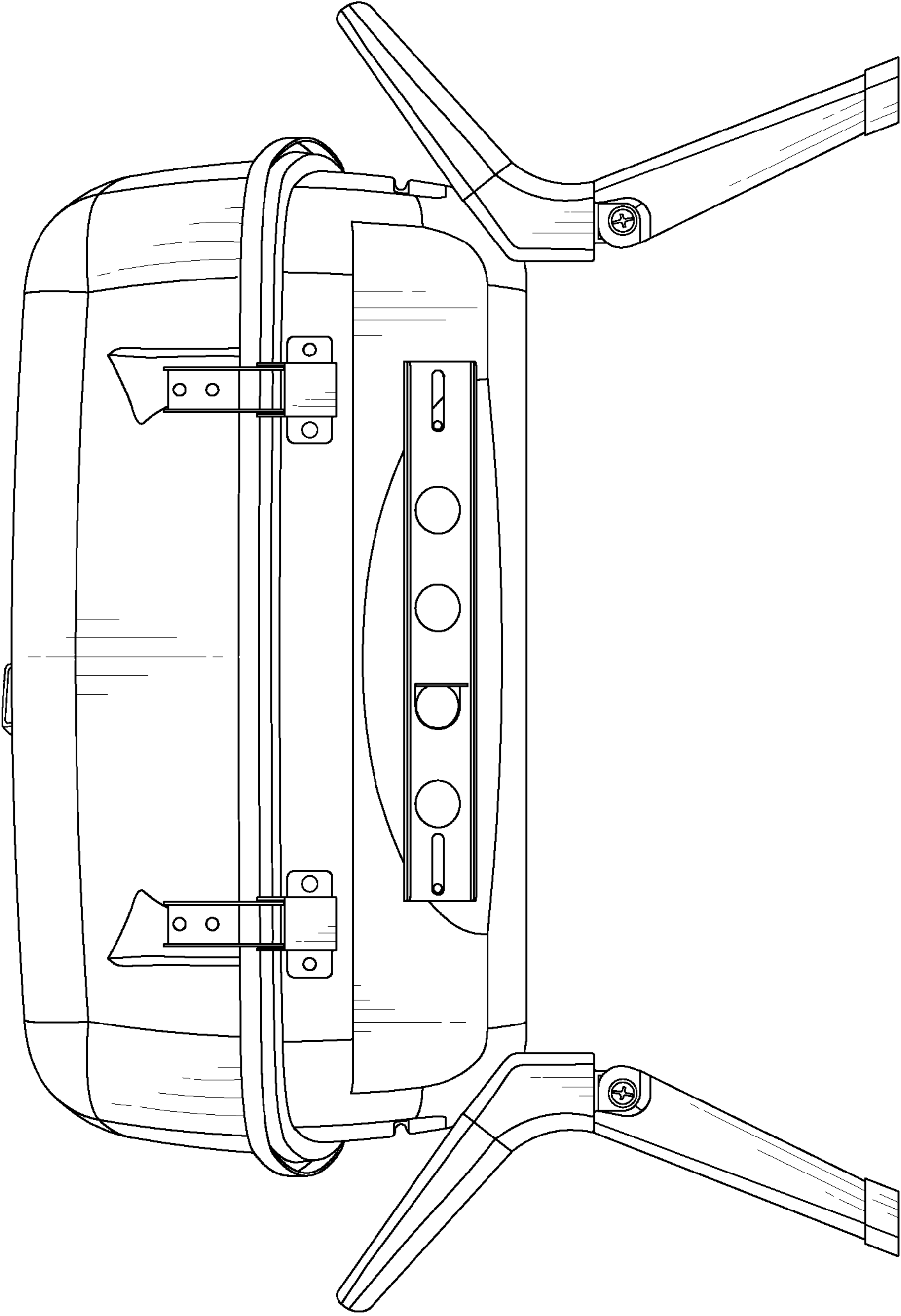


FIG. 3

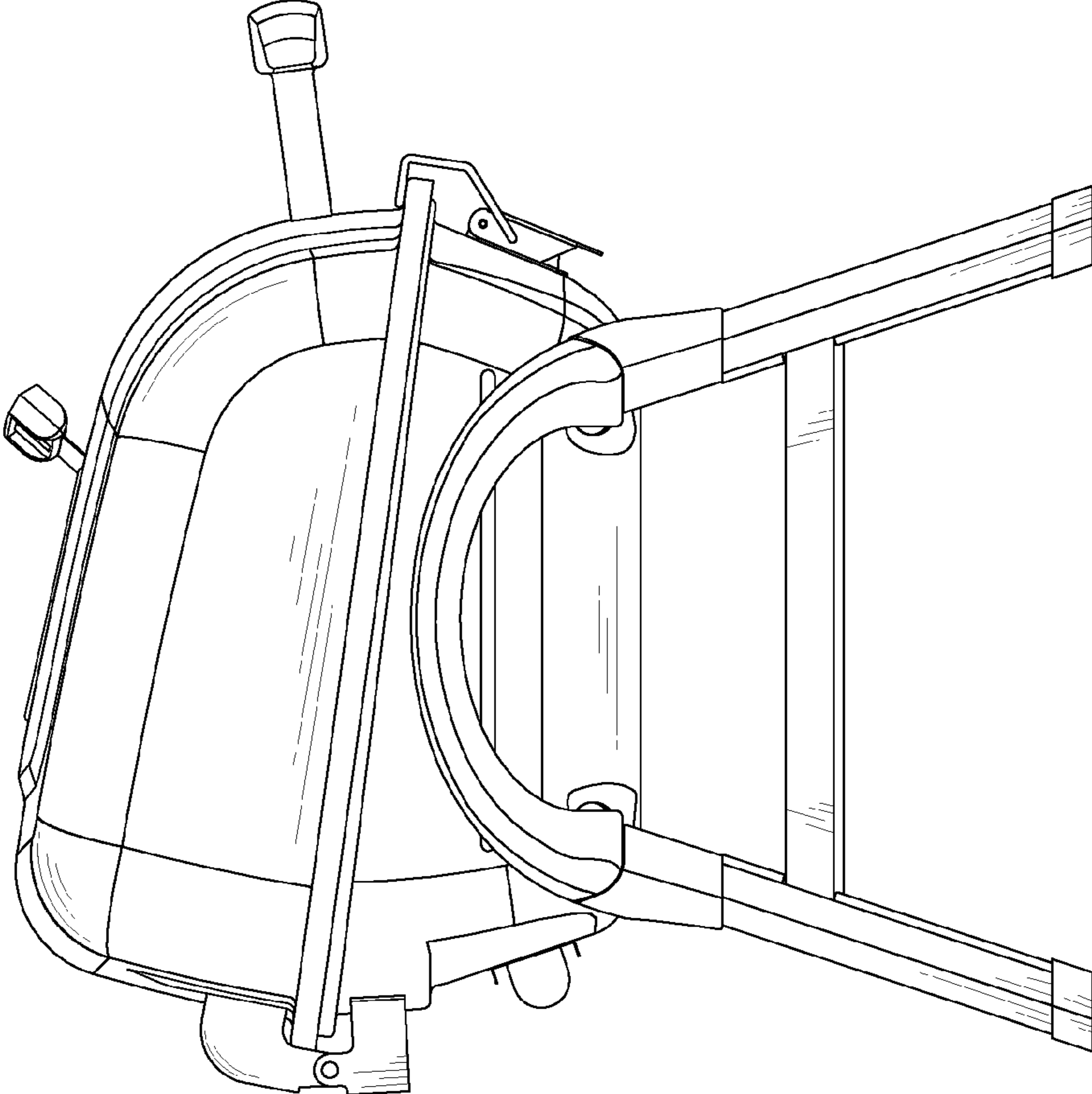


FIG. 4

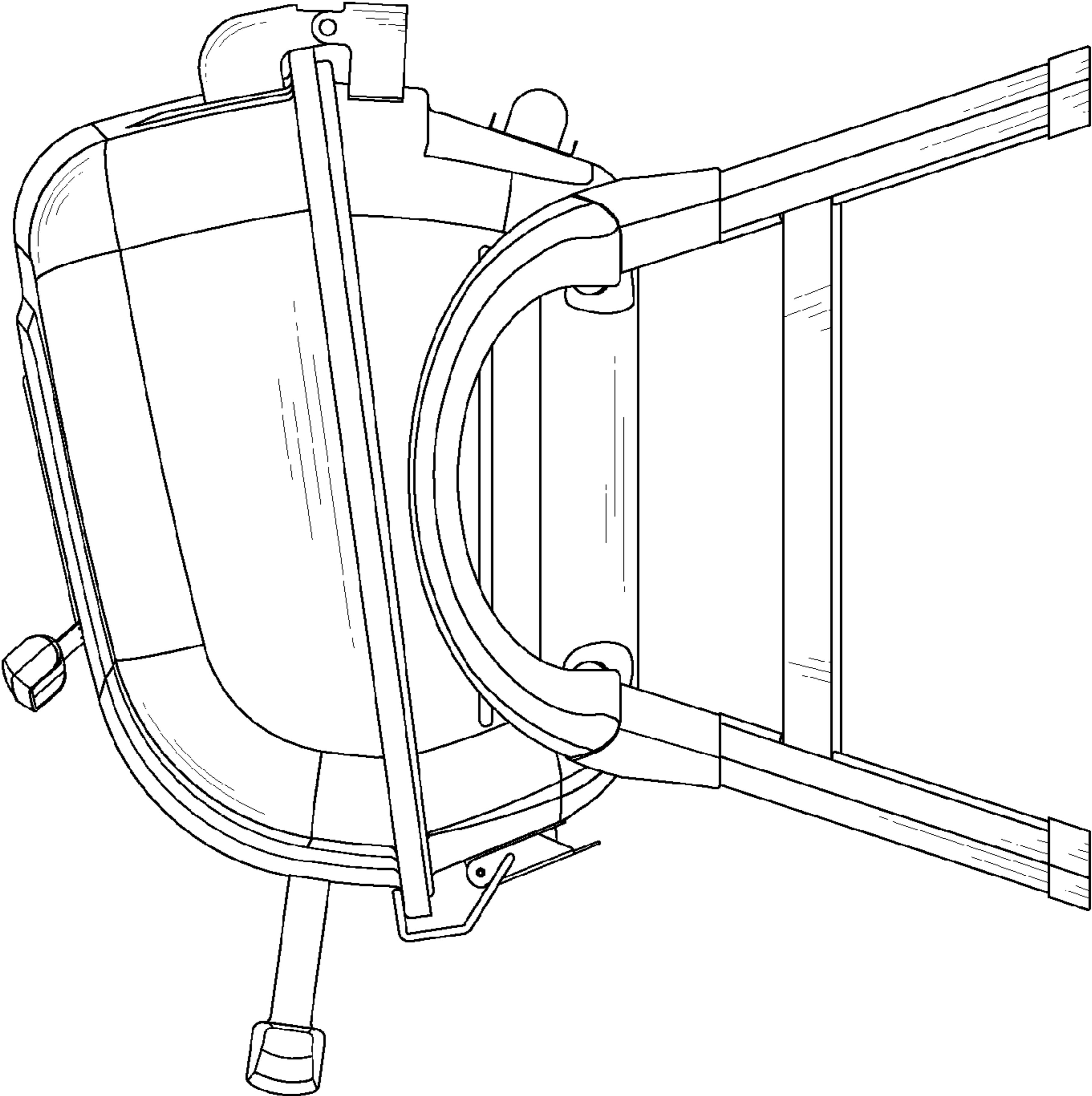


FIG. 5

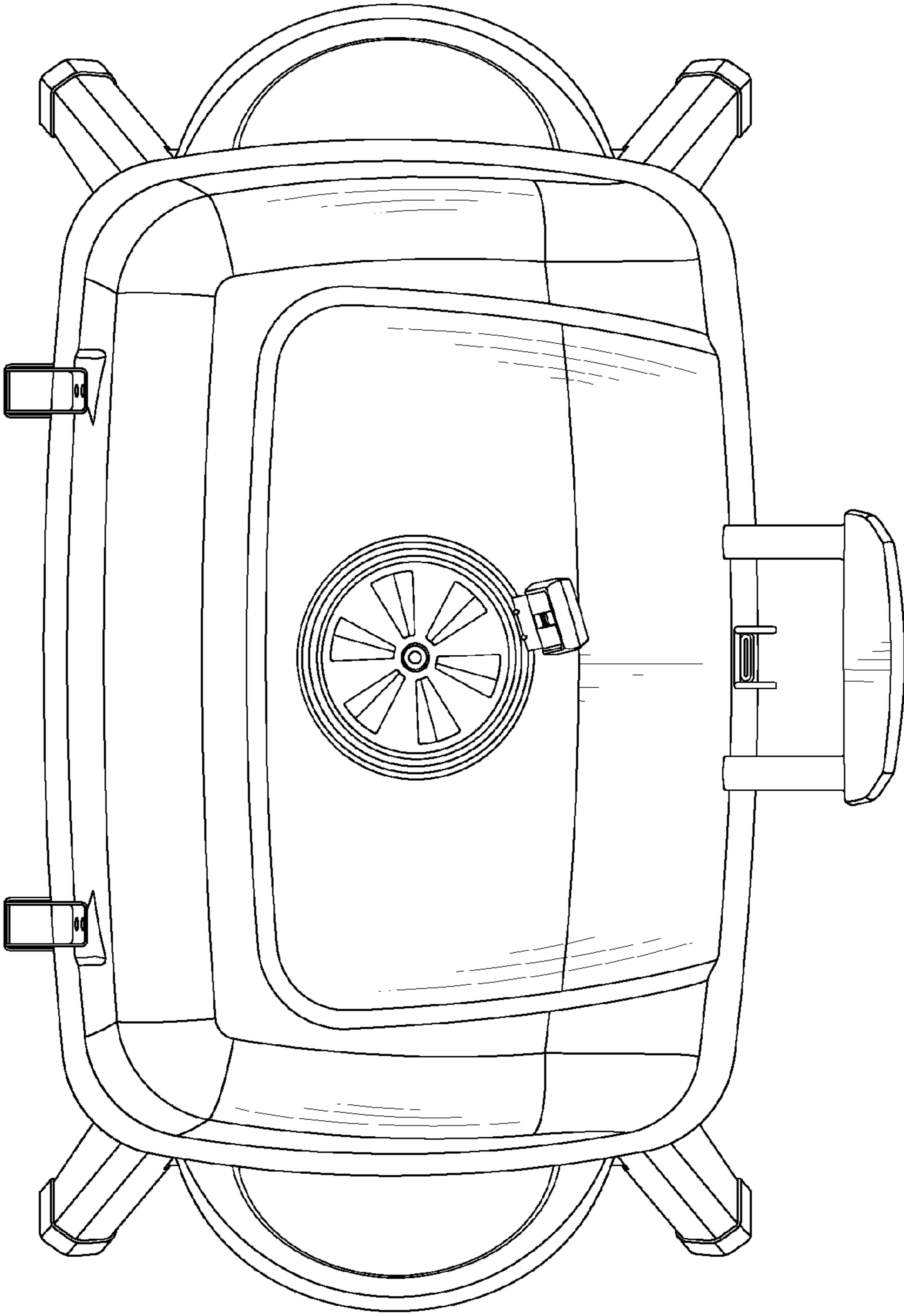


FIG. 6

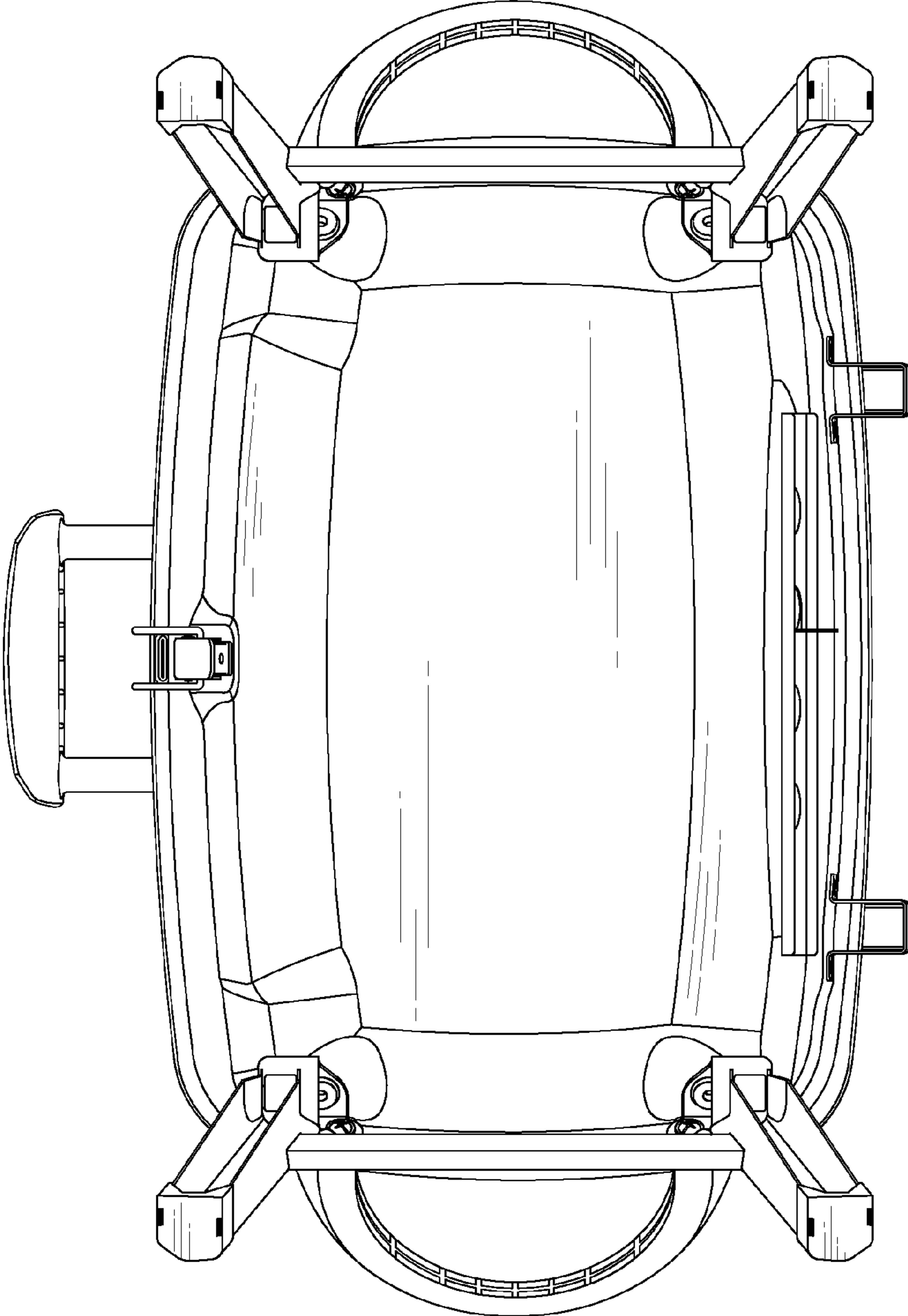


FIG. 7