



US00D630464S

(12) **United States Design Patent**
Chung

(10) **Patent No.:** **US D630,464 S**

(45) **Date of Patent:** **** Jan. 11, 2011**

(54) **BARBECUE GRILL**

D610,862 S * 3/2010 Chung D7/337
D611,290 S * 3/2010 Chung D7/337

(76) Inventor: **Kiosky Chung**, No. 72, Chaoguei Rd.,
Situn Distruct, Taichung City 407 (TW)

* cited by examiner

(**) Term: **14 Years**

Primary Examiner—Ruth McInroy
(74) *Attorney, Agent, or Firm*—Banger Shia

(21) Appl. No.: **29/342,696**

(22) Filed: **Aug. 30, 2009**

(57) **CLAIM**

(51) **LOC (9) Cl.** **07-02**

I claim the ornamental design for a barbecue grill, as shown and described.

(52) **U.S. Cl.** **D7/337**

(58) **Field of Classification Search** D7/394,
D7/332, 334–337, 402–404; 126/25 R, 9 R,
126/40, 50, 41 R, 38; 431/344; 99/425
See application file for complete search history.

DESCRIPTION

(56) **References Cited**

U.S. PATENT DOCUMENTS

D513,149 S * 12/2005 Zhang D7/337
D525,819 S * 8/2006 Chung D7/337
D549,038 S * 8/2007 Chung D7/337
D600,969 S * 9/2009 Chung D7/337
D600,970 S * 9/2009 Chung D7/337
D610,861 S * 3/2010 Chung D7/337

FIG. 1 is a perspective view of a barbecue grill, showing my new design;

FIG. 2 is a front elevational view thereof;

FIG. 3 is a rear elevational view thereof;

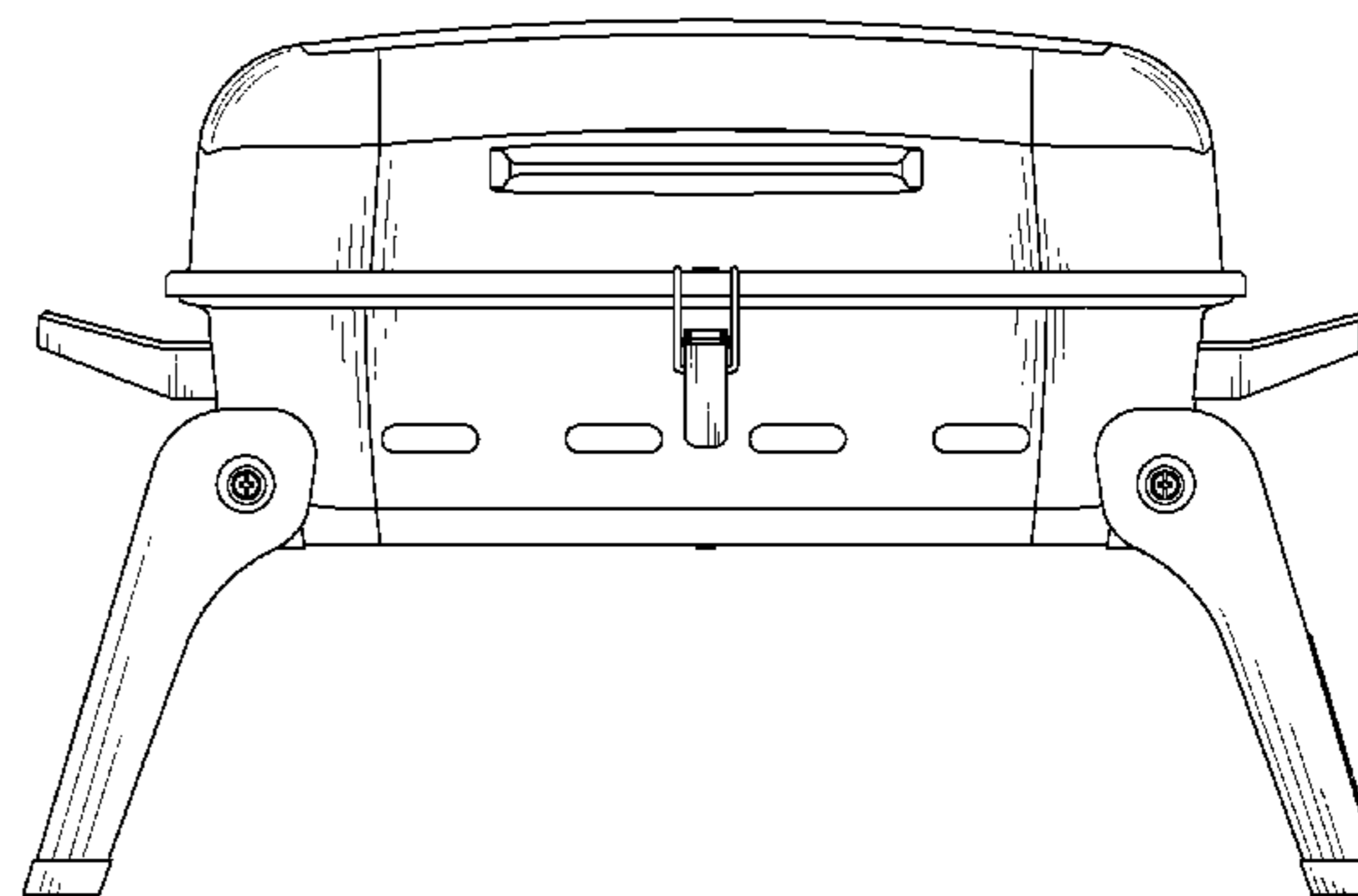
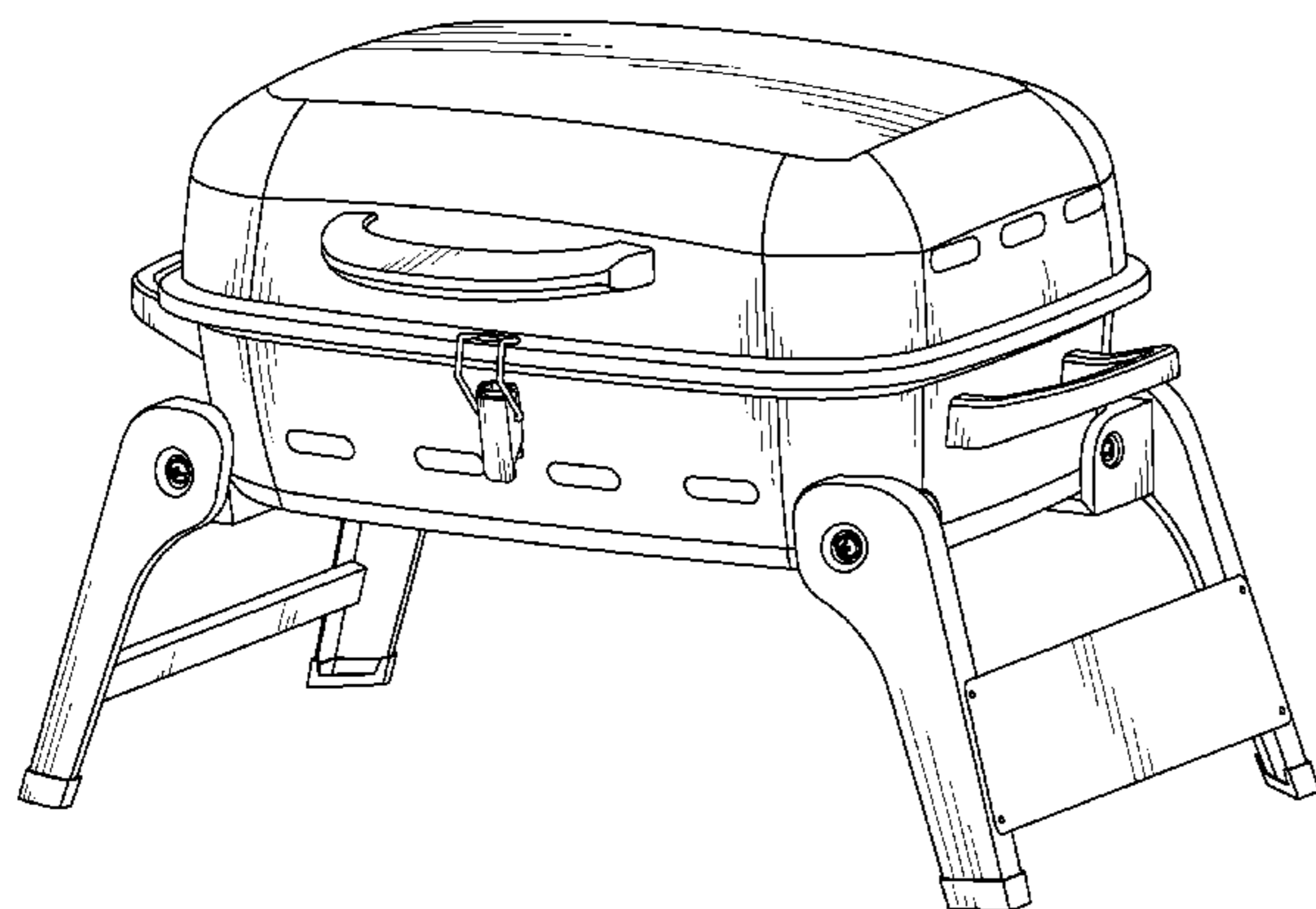
FIG. 4 is a left side elevational view thereof;

FIG. 5 is a right side elevational view thereof;

FIG. 6 is a top plan view thereof; and,

FIG. 7 is a bottom plan view thereof.

1 Claim, 7 Drawing Sheets



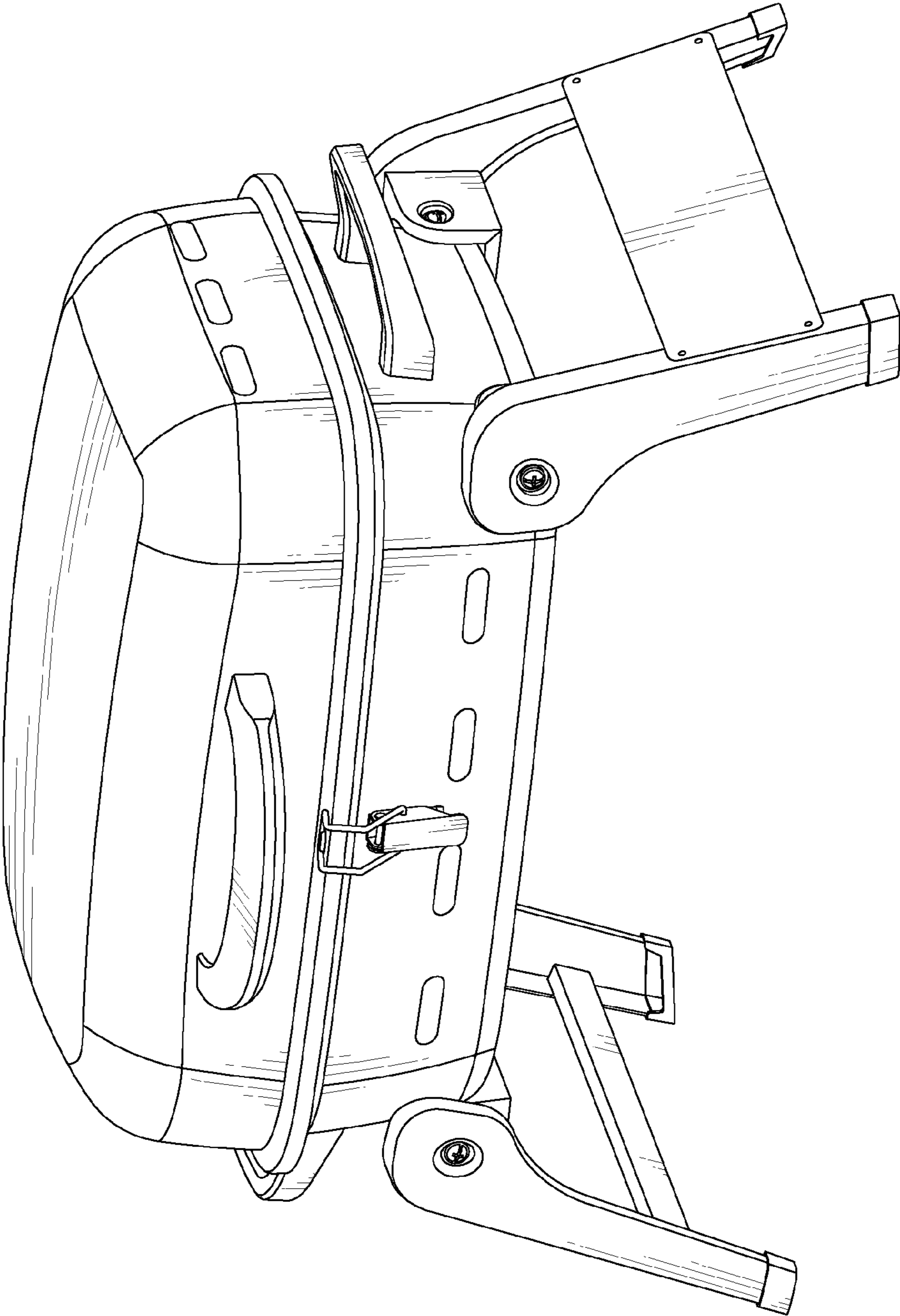


FIG. 1

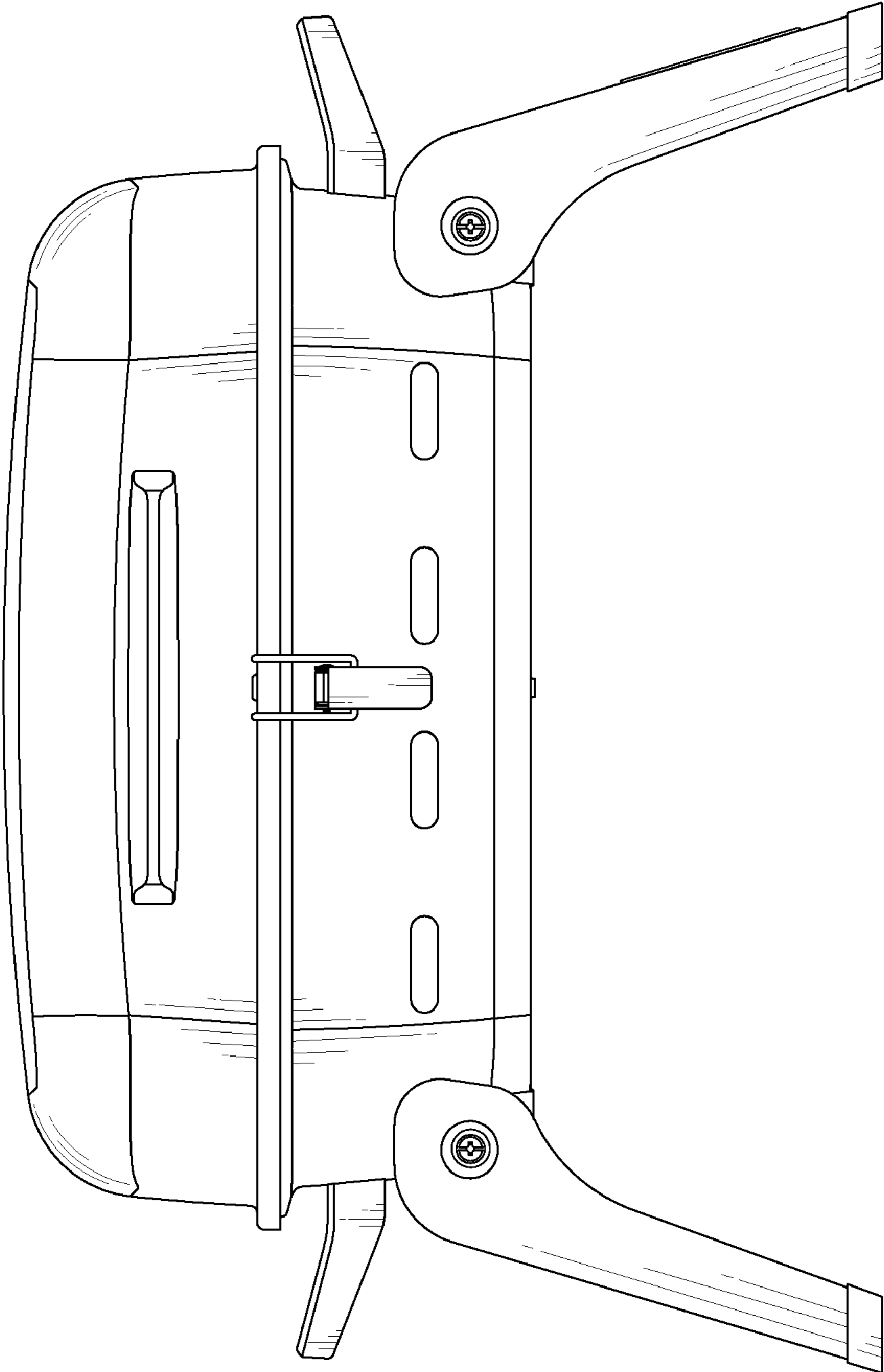


FIG. 2

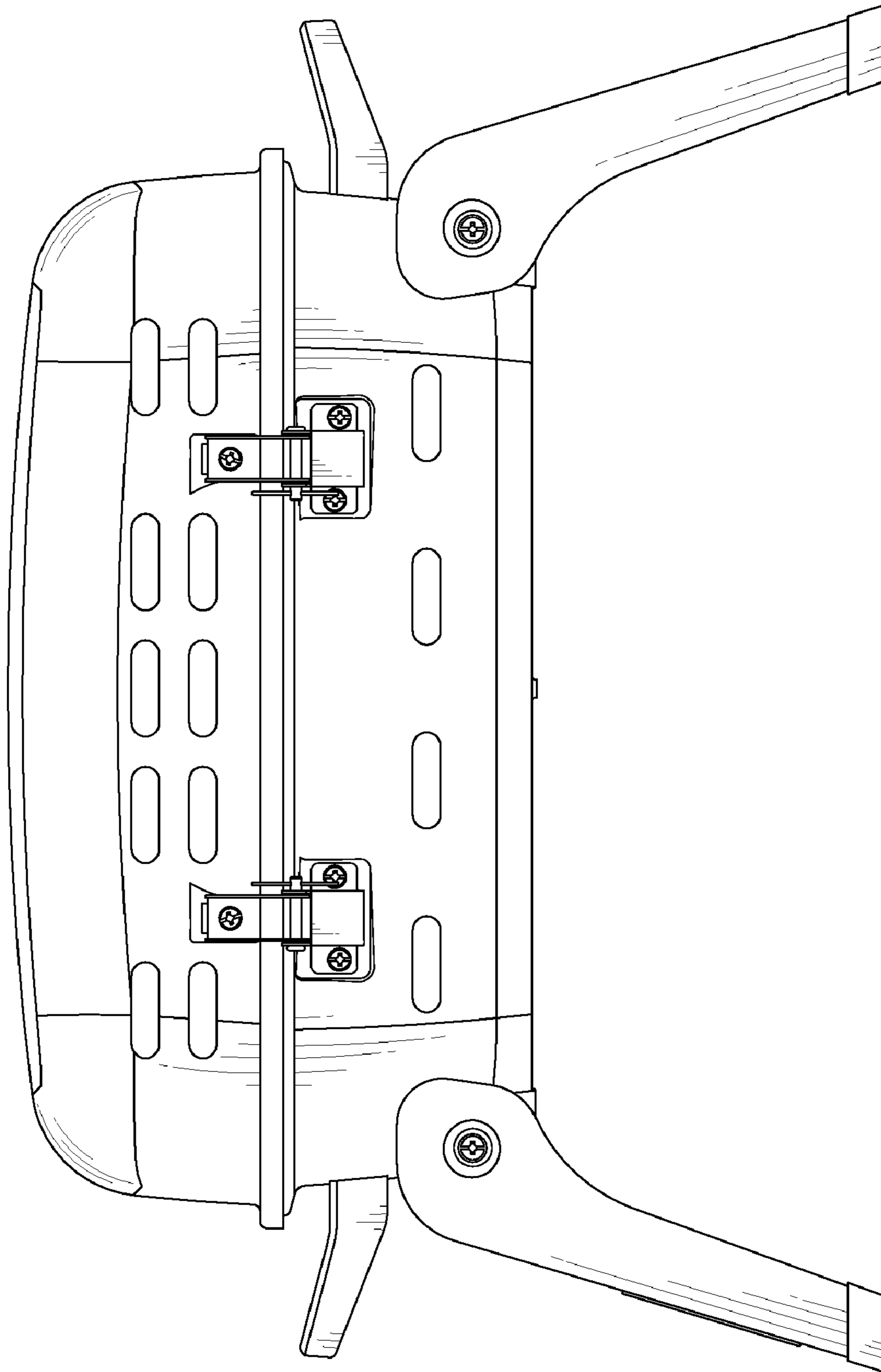


FIG. 3

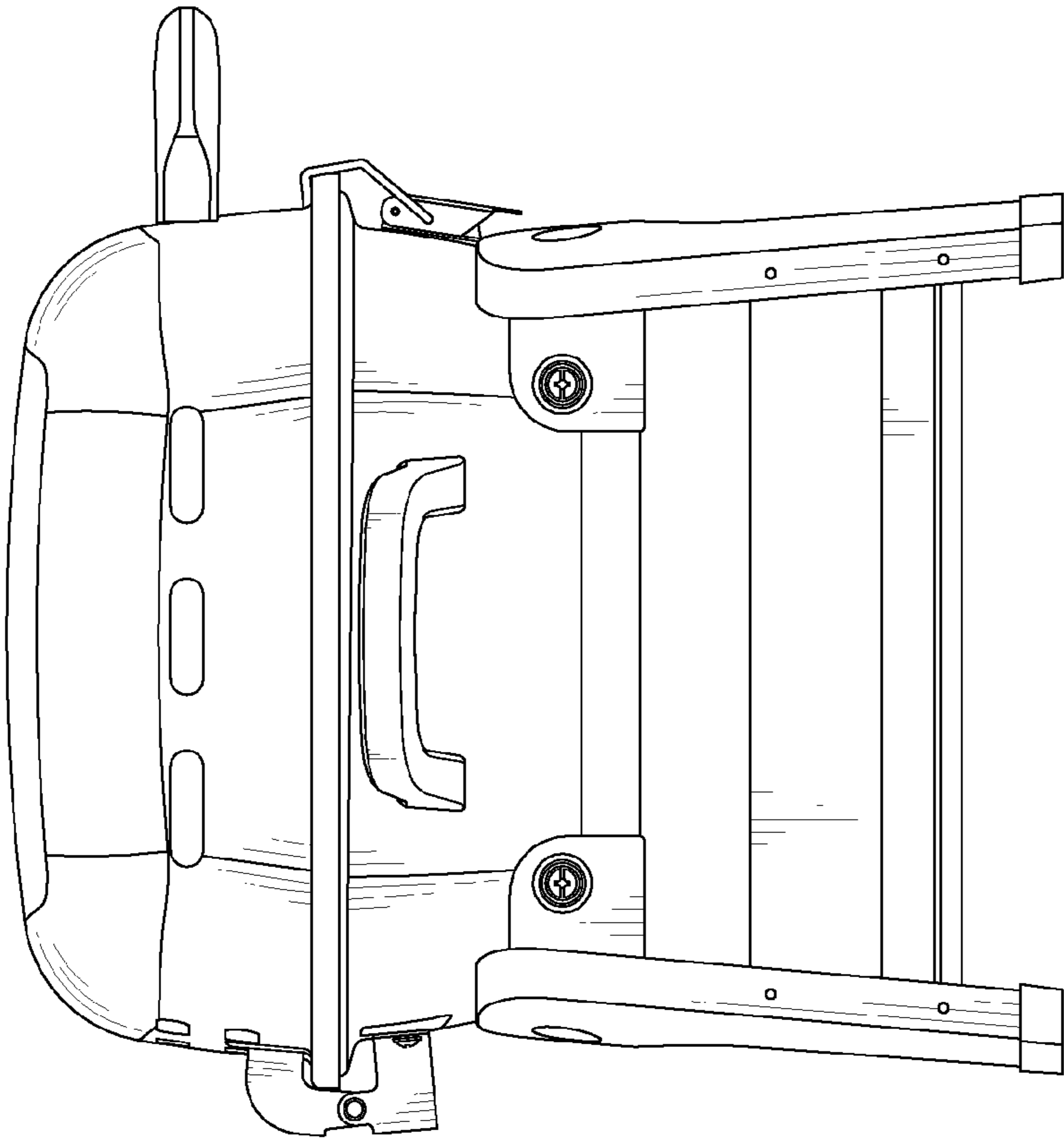


FIG. 4

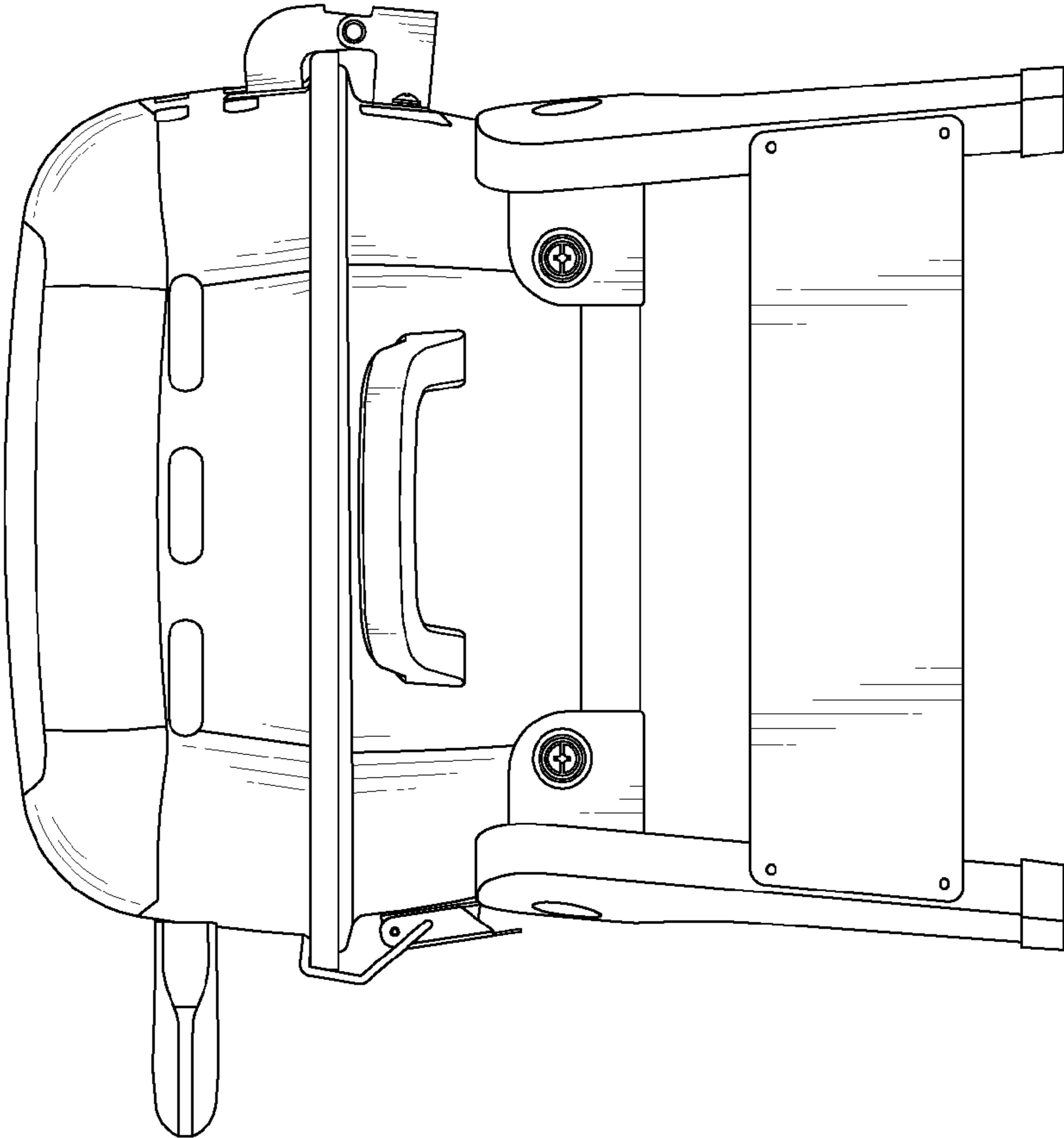


FIG. 5

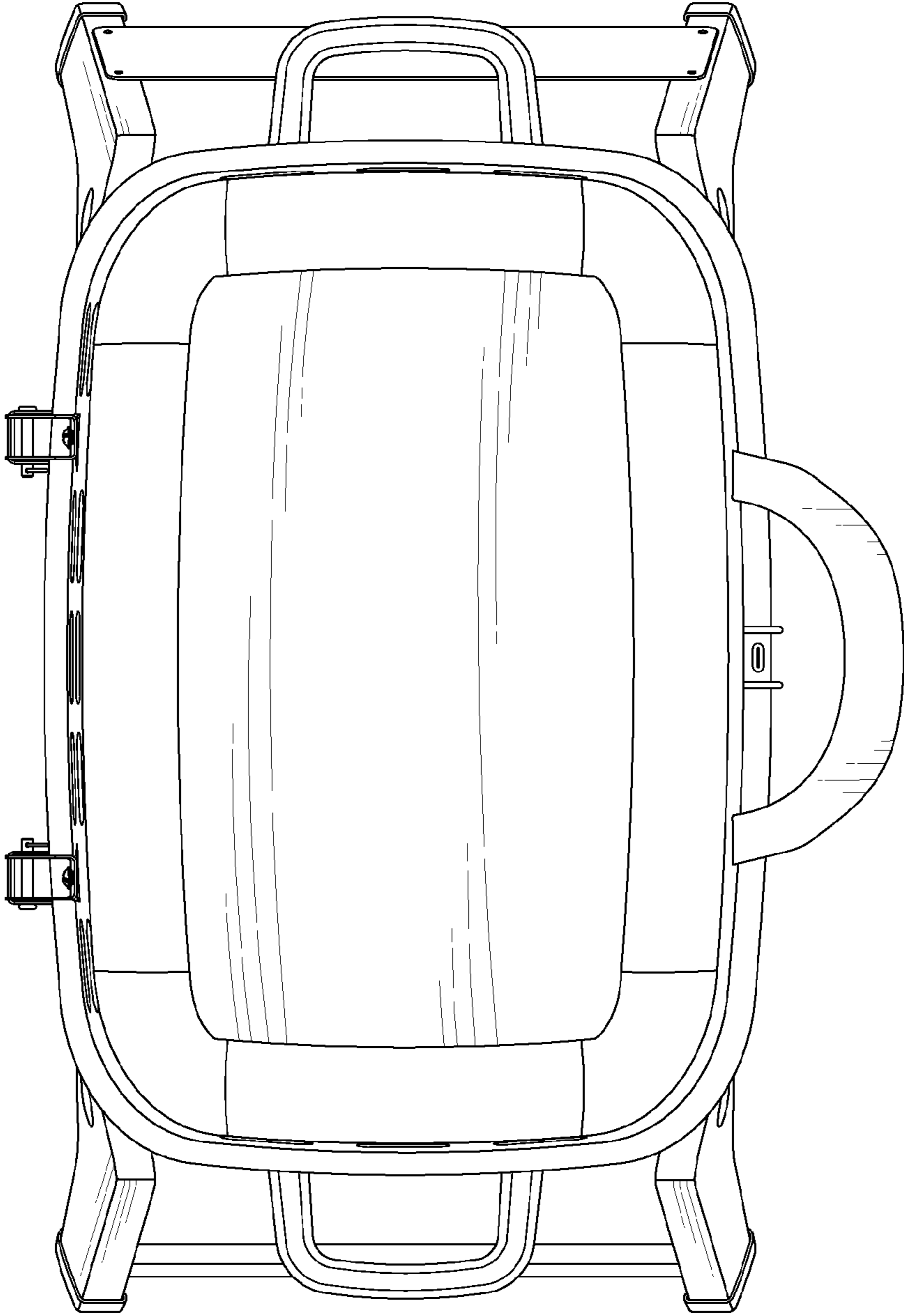


FIG. 6

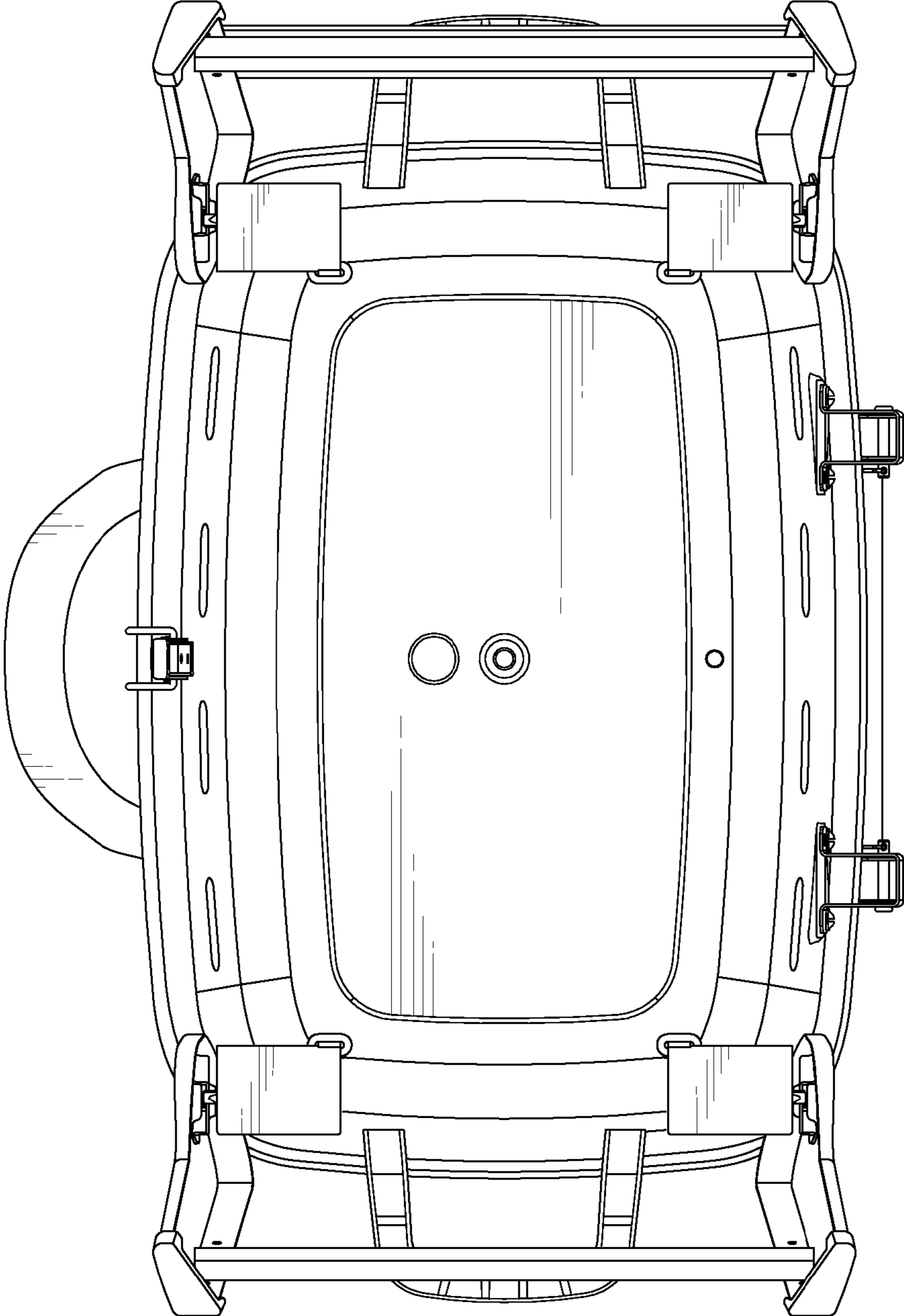


FIG. 7