

US00D630462S

(12) **United States Design Patent**
Eckholm et al.

(10) **Patent No.:** **US D630,462 S**
(45) **Date of Patent:** **** Jan. 11, 2011**

(54) **BREWER**

D605,888 S * 12/2009 Gu D7/301

(75) Inventors: **Sherry S. Eckholm**, Watertown, WI
(US); **Nicholas S. Reback**, Monona, WI
(US); **Rachel E. DeSmidt**, Madison, WI
(US)

* cited by examiner

Primary Examiner—Marianne Pandozzi
(74) *Attorney, Agent, or Firm*—Barnes & Thornburg LLP

(73) Assignee: **Bunn-O-Matic Corporation**,
Springfield, IL (US)

(57) **CLAIM**

What is claimed is the ornamental design for a brewer, as shown and described.

(**) Term: **14 Years**

(21) Appl. No.: **29/357,507**

DESCRIPTION

(22) Filed: **Mar. 12, 2010**

(51) **LOC (9) Cl.** **07-01**

(52) **U.S. Cl.** **D7/309; D7/310; D7/311**

(58) **Field of Classification Search** D7/300,
D7/306–311, 305; 99/291, 280, 323, 290,
99/295, 284, 305; D20/5

See application file for complete search history.

FIG. 1 is a front right side perspective view of the brewer;
FIG. 2 is a rear right side perspective view thereof;
FIG. 3 is a rear left side perspective view thereof;
FIG. 4 is a front left side perspective view thereof;
FIG. 5 is a front elevational view thereof;
FIG. 6 is a right side elevational view thereof;
FIG. 7 is a rear elevational view thereof;
FIG. 8 is a left side elevational view thereof;
FIG. 9 is a top view thereof; and,
FIG. 10 is a bottom view thereof.

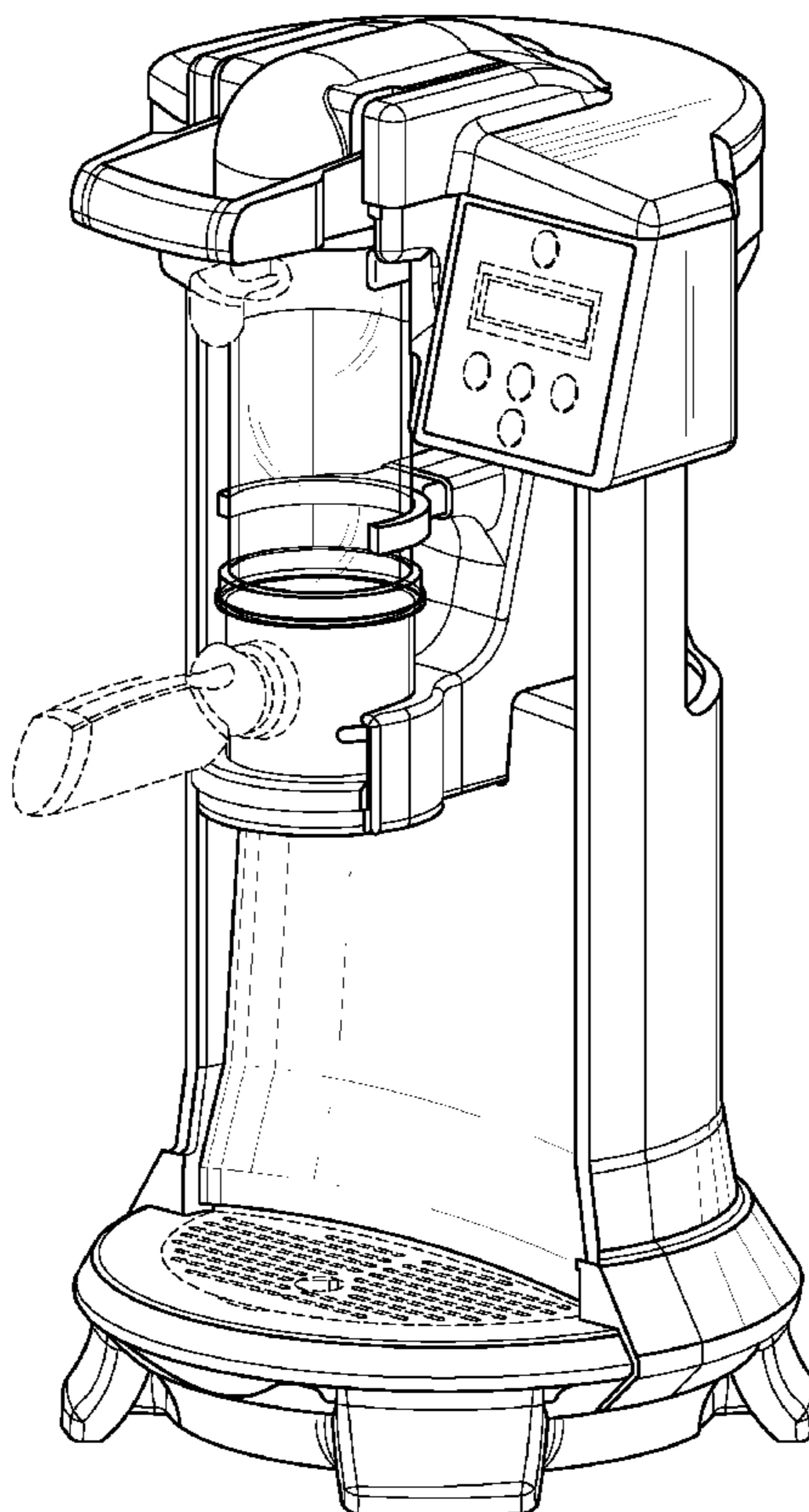
The broken lines shown in the drawings are for purposes of illustrating portions of the brewer and form no part of the claimed design.

(56) **References Cited**

U.S. PATENT DOCUMENTS

4,809,594 A * 3/1989 Vitous 99/280
4,869,158 A * 9/1989 Brewer 99/279
6,082,246 A * 7/2000 Thorn et al. 99/284
6,139,888 A * 10/2000 Knepler 426/231
7,328,650 B2 * 2/2008 Hart et al. 99/290
D600,493 S * 9/2009 Pino et al. D7/309

1 Claim, 10 Drawing Sheets



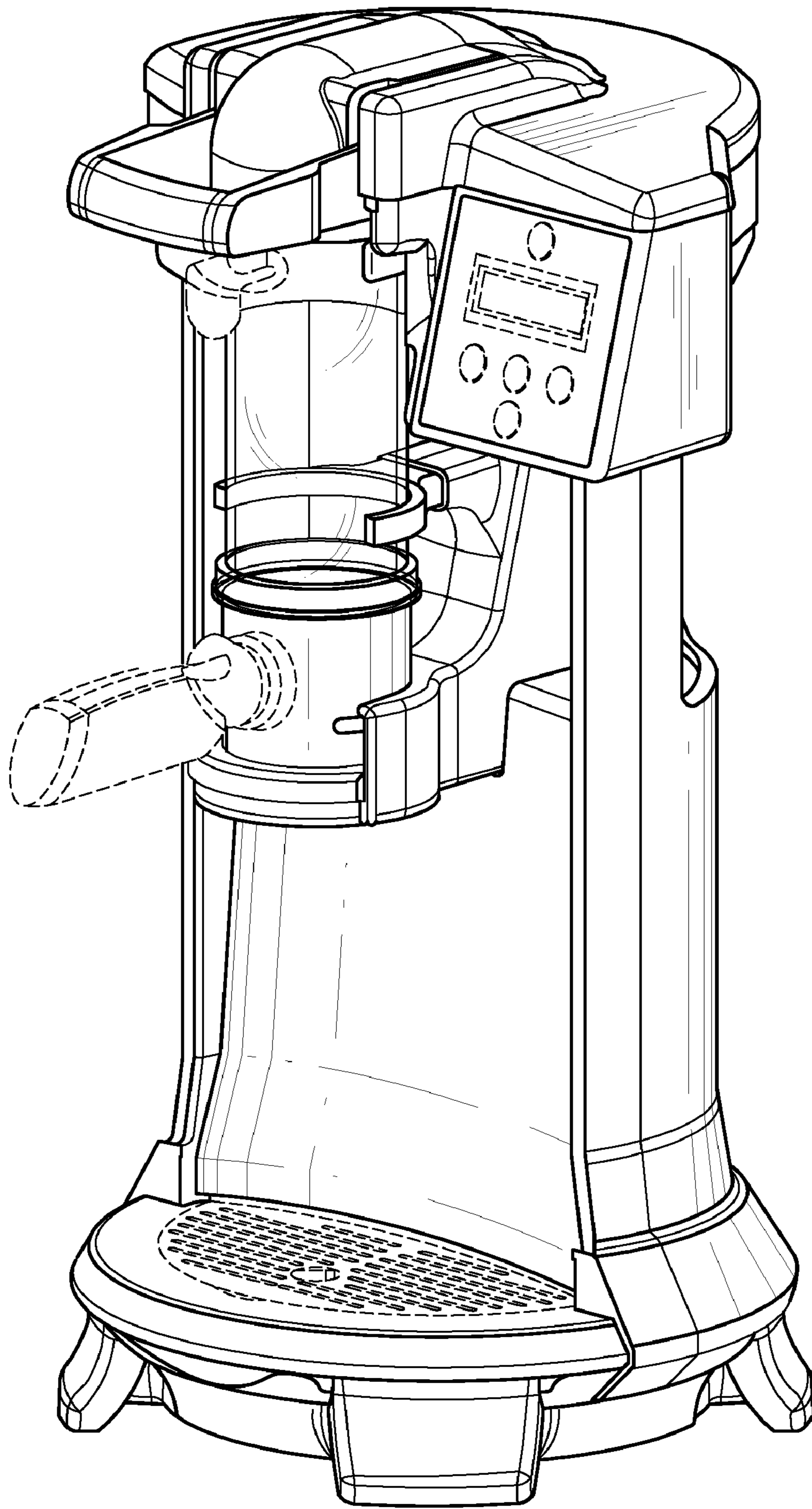


FIG. 1

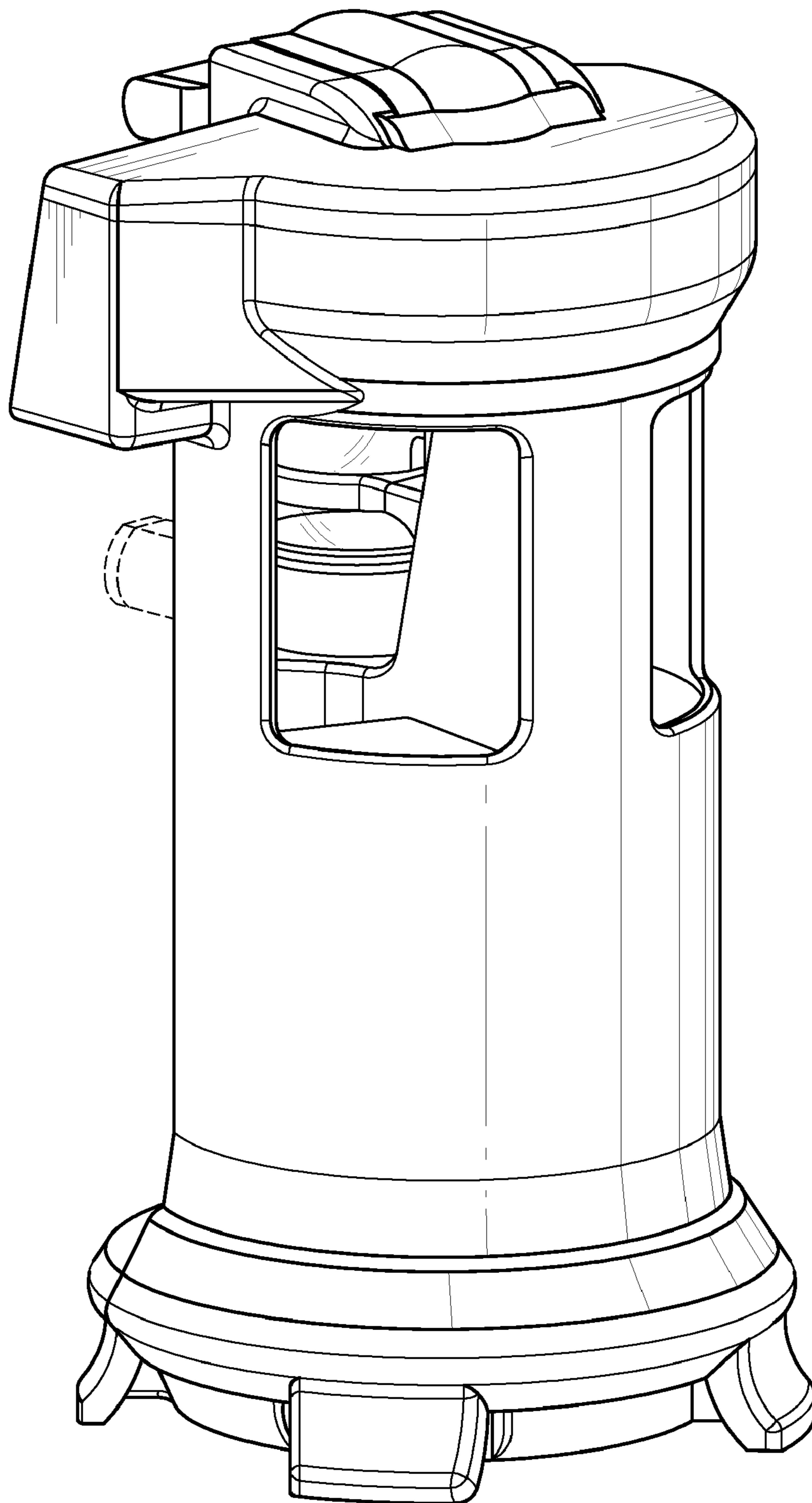


FIG. 2

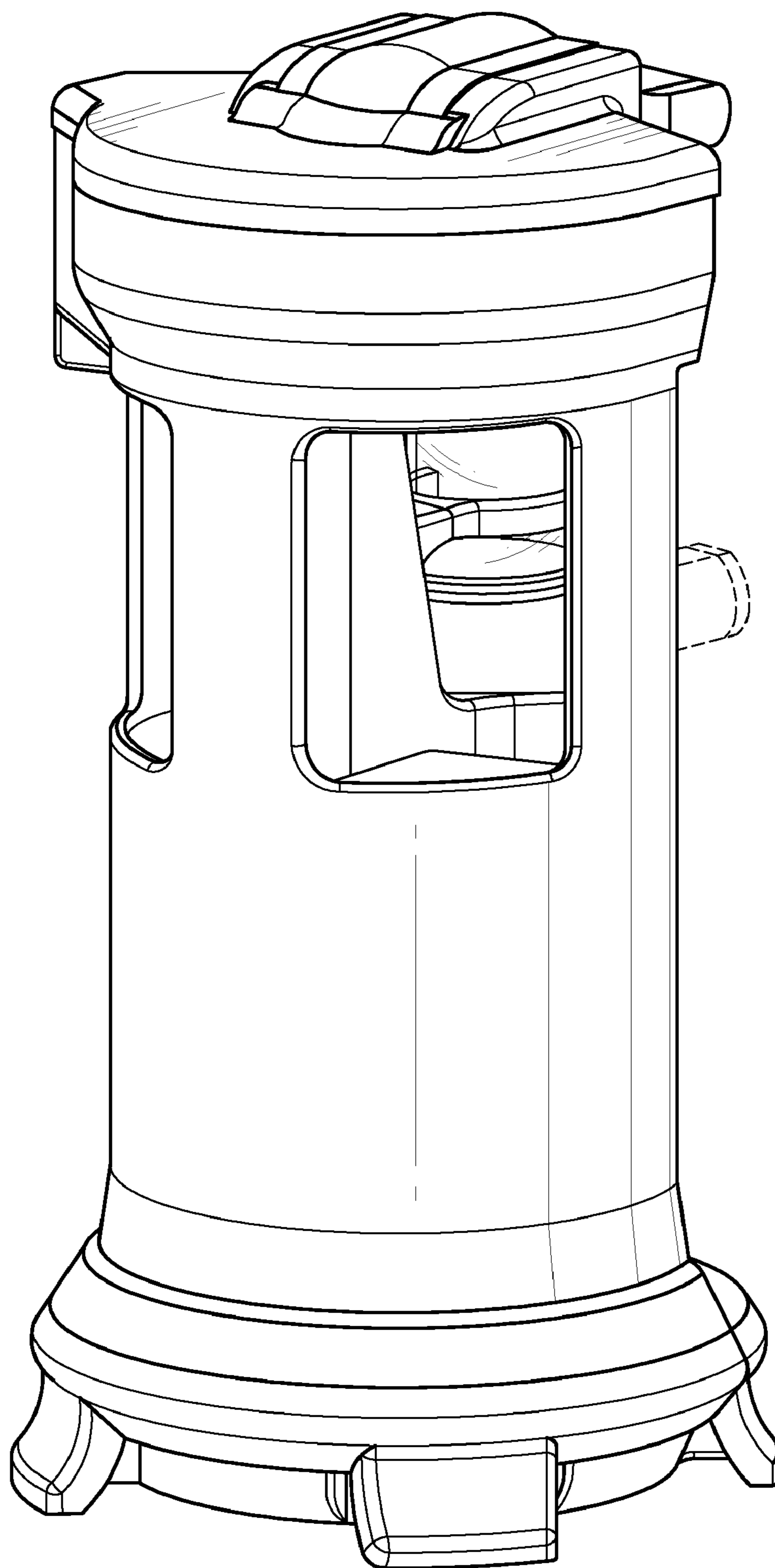


FIG. 3

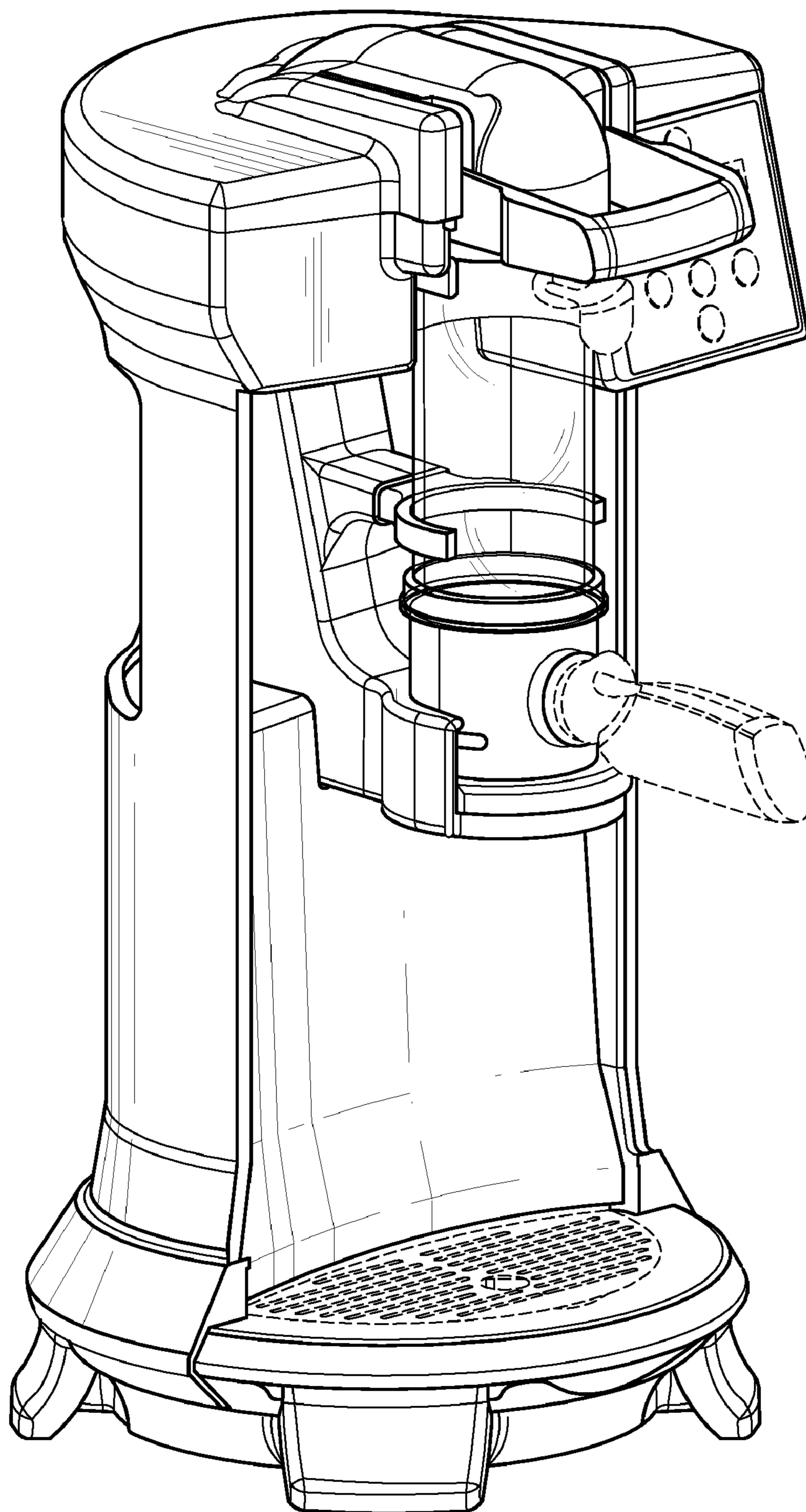


FIG. 4

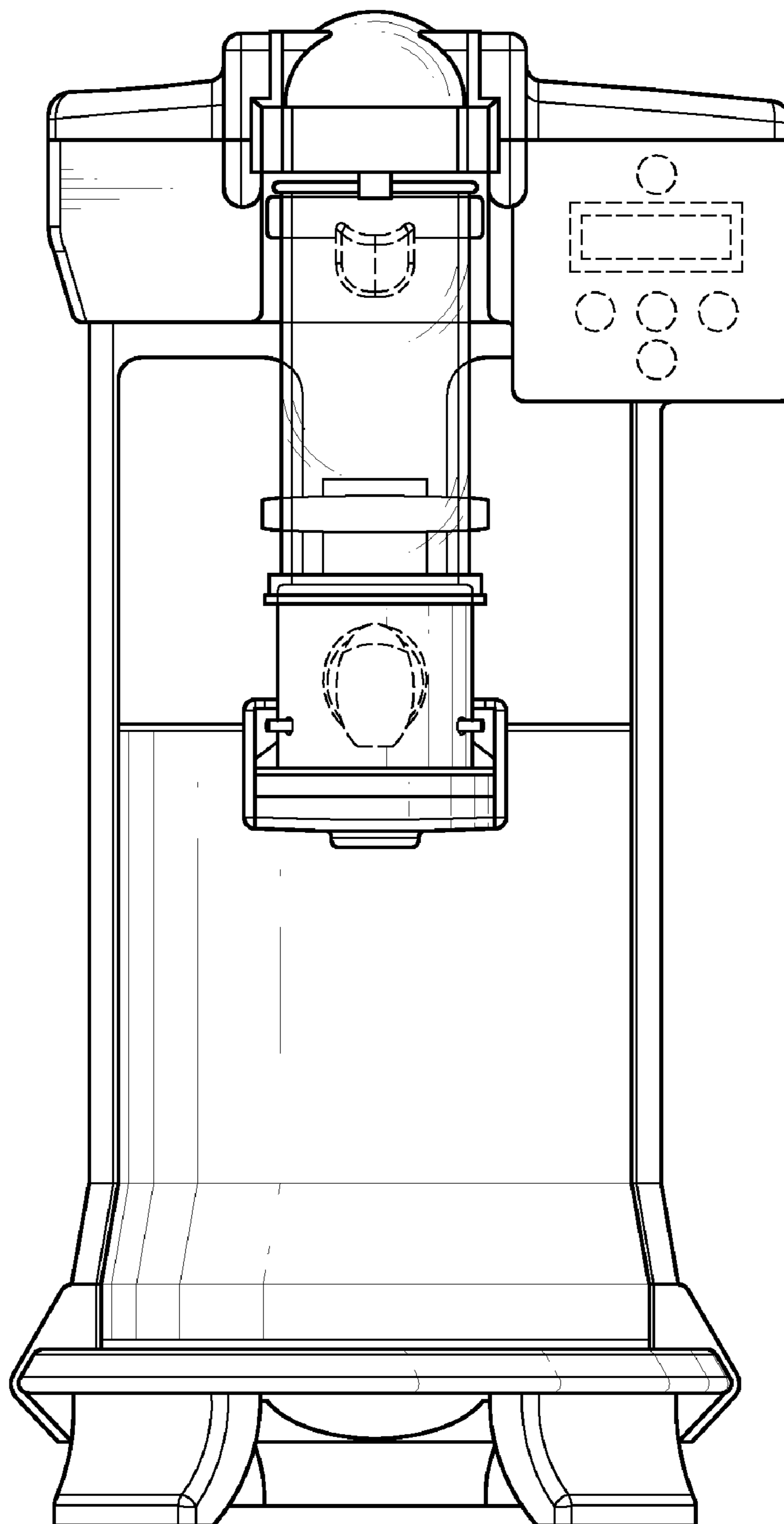


FIG. 5

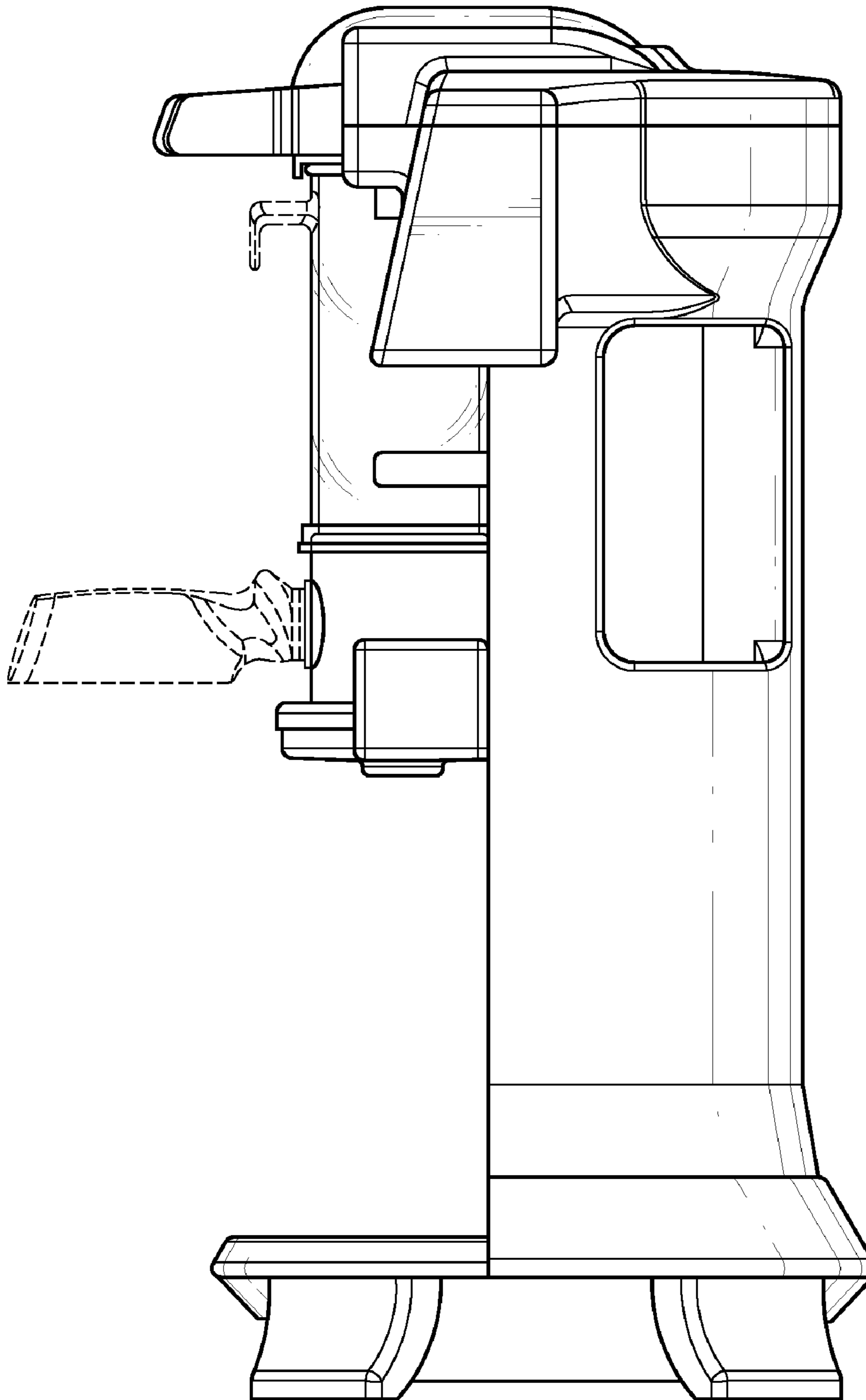


FIG. 6

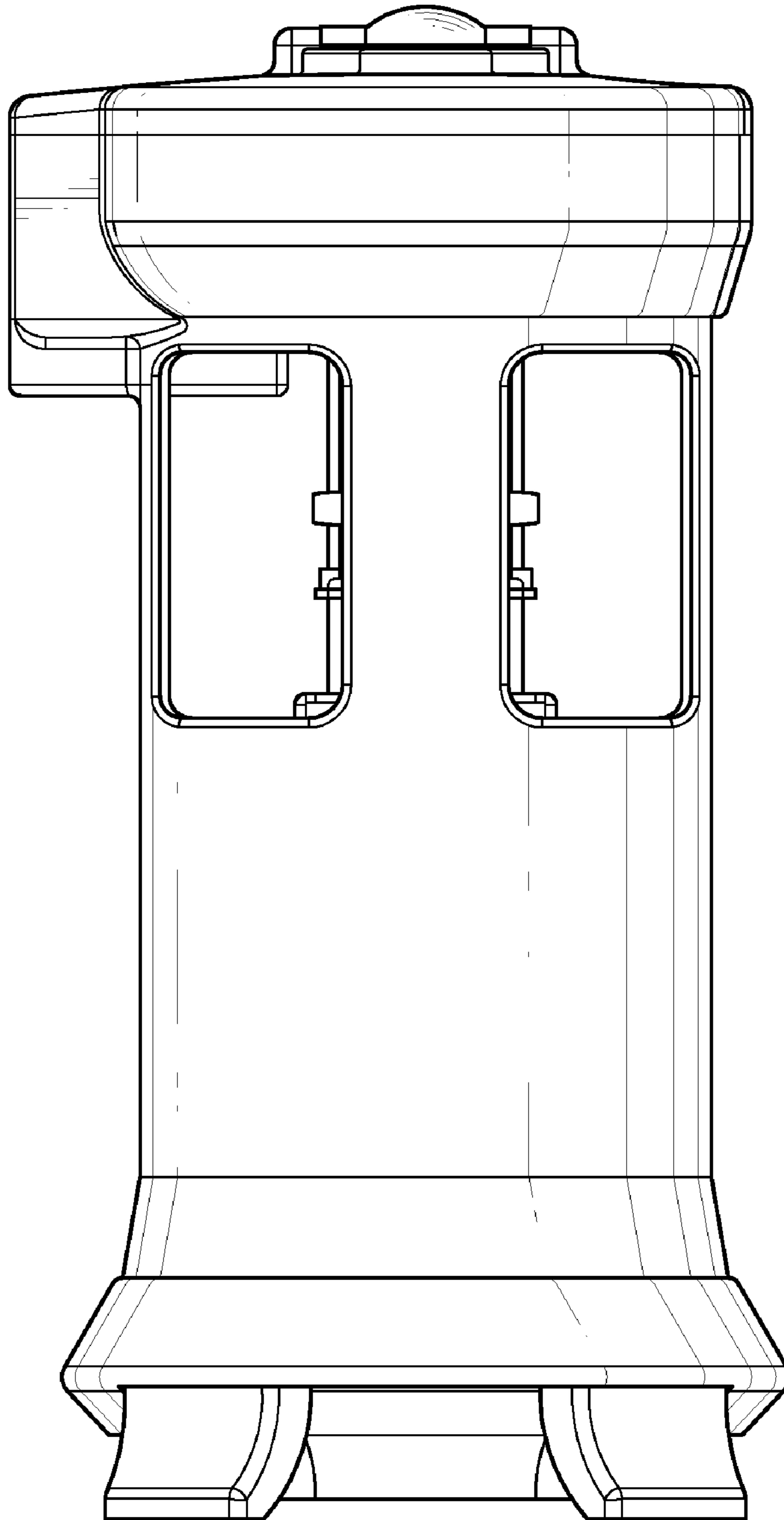


FIG. 7

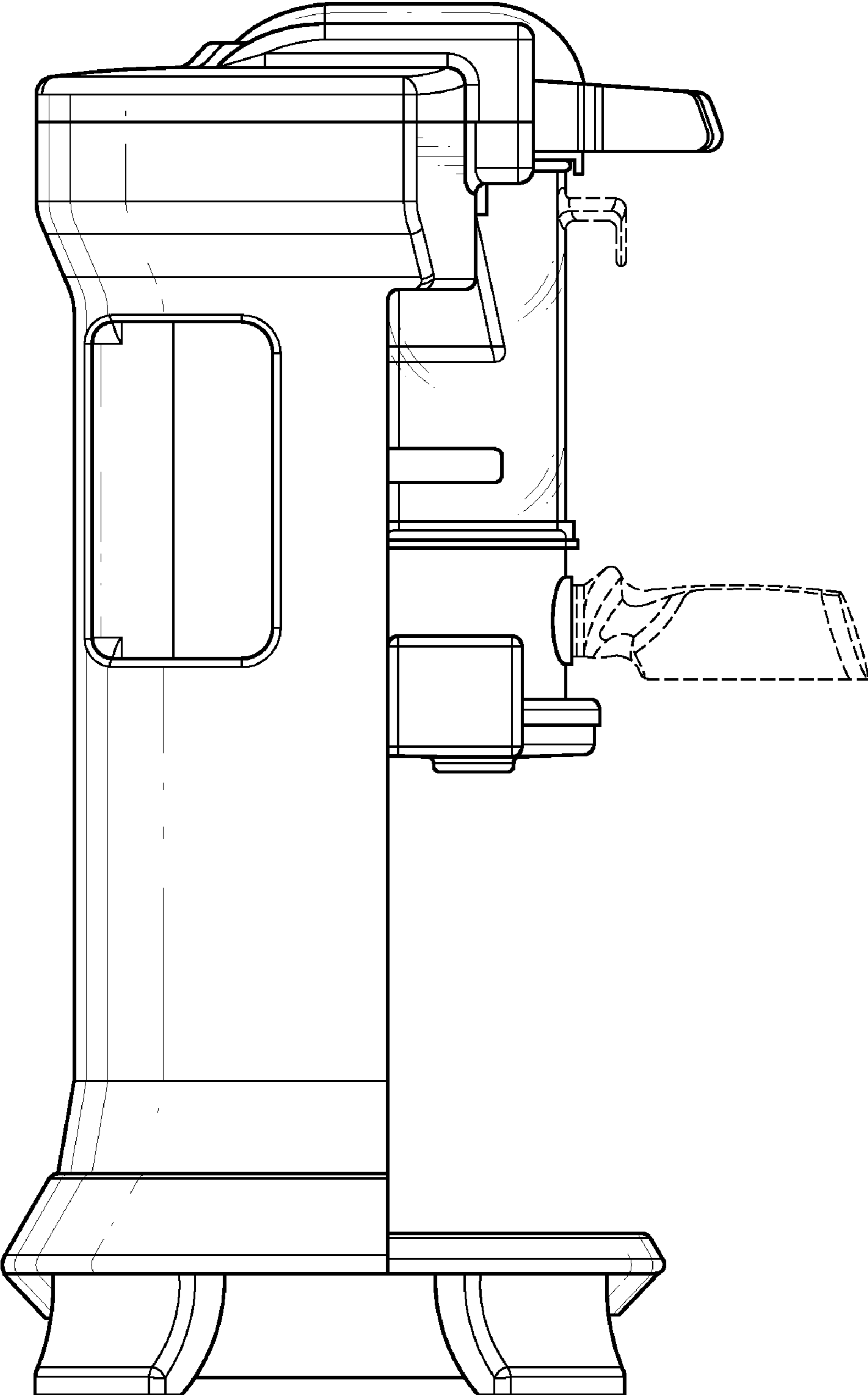


FIG. 8

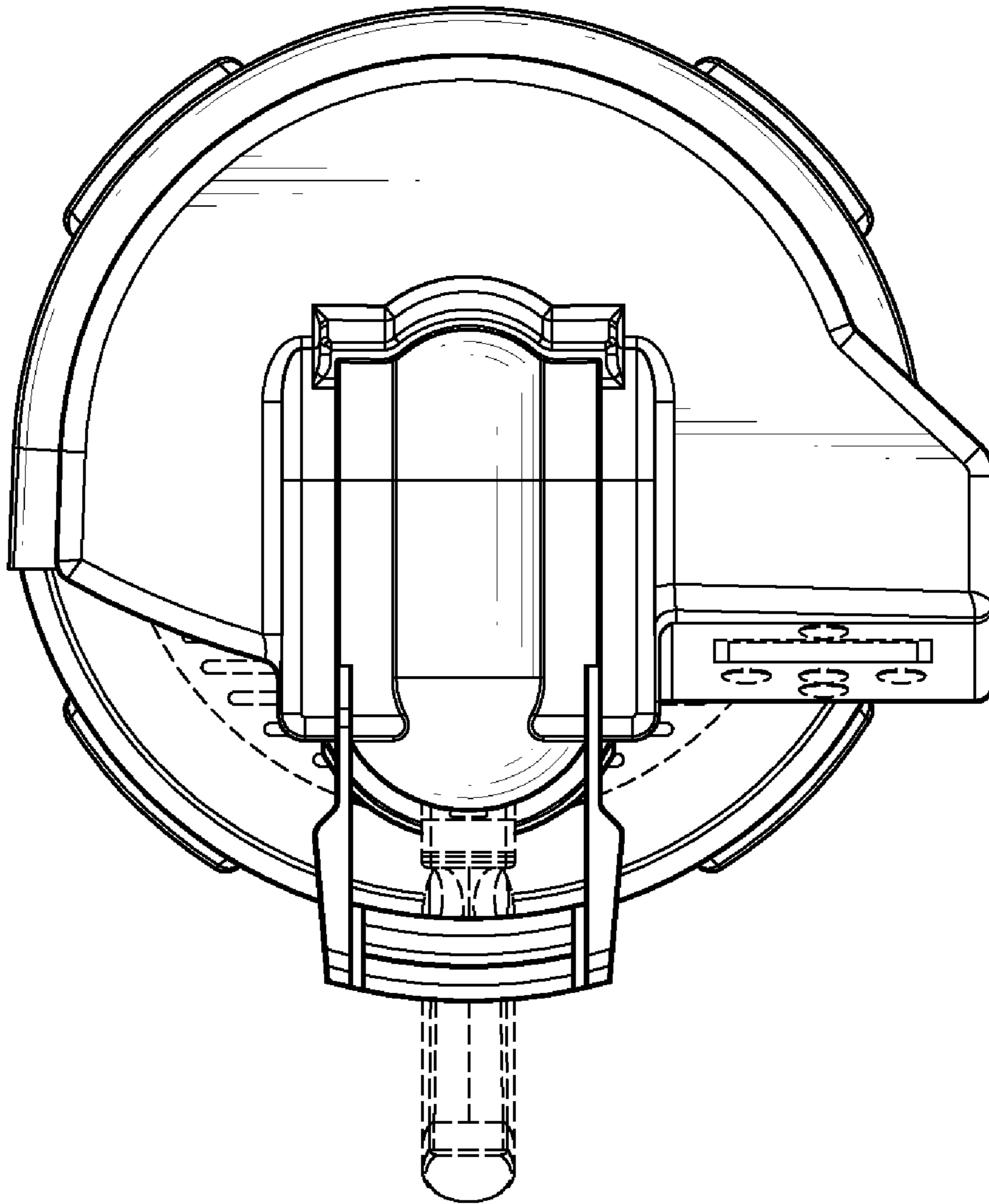


FIG. 9

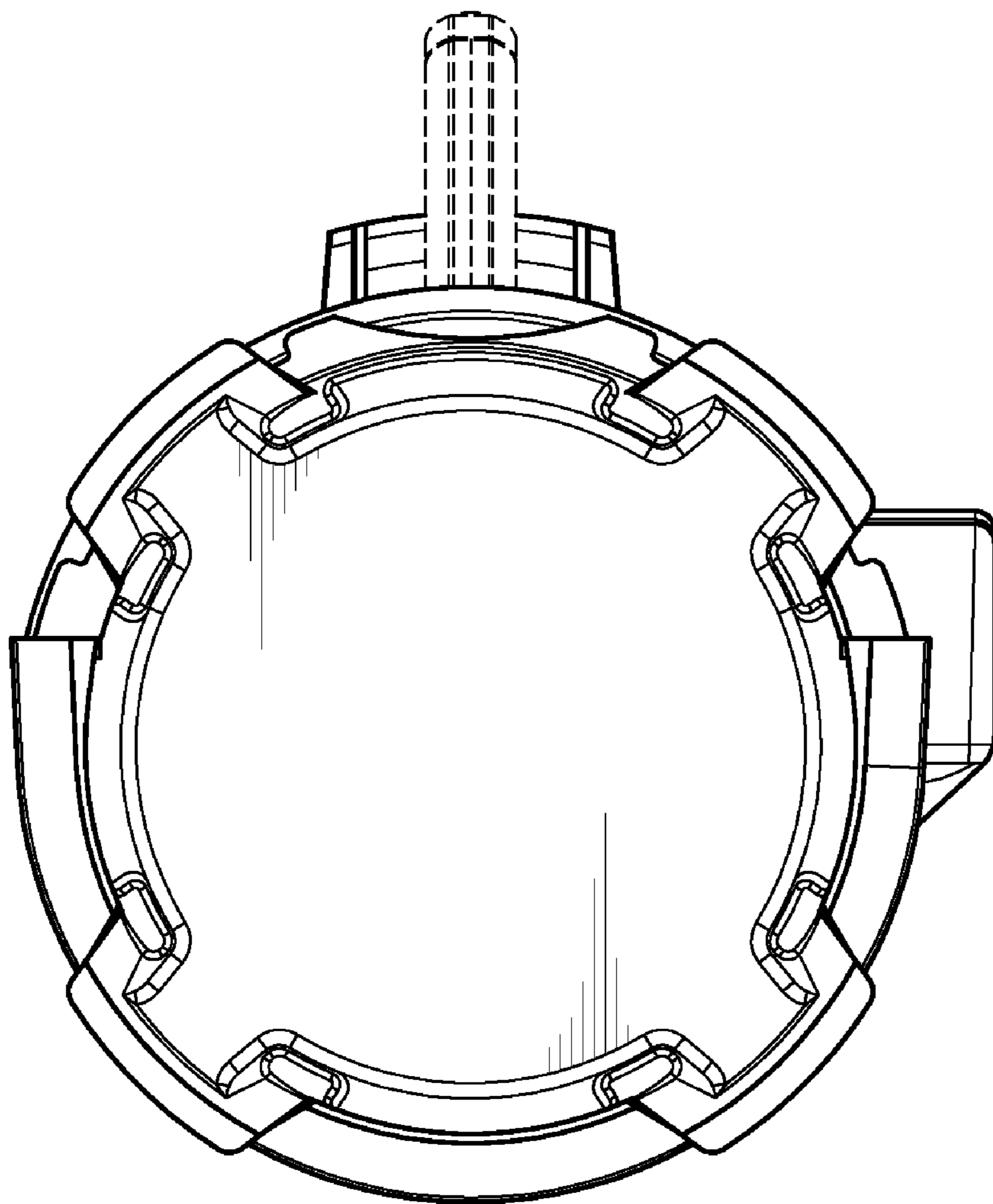


FIG. 10