



US00D630459S

(12) **United States Design Patent**
Millspaugh

(10) **Patent No.:** **US D630,459 S**

(45) **Date of Patent:** **** Jan. 11, 2011**

(54) **SHELF**

(75) Inventor: **David A. Millspaugh**, Lawton, OK (US)

(73) Assignee: **Top Shelf Designs, Inc.**, Weatherford, OK (US)

(**) Term: **14 Years**

(21) Appl. No.: **29/363,136**

(22) Filed: **Jun. 4, 2010**

(51) **LOC (9) Cl.** **06-04**

(52) **U.S. Cl.** **D6/574**

(58) **Field of Classification Search** D6/518-524,
D6/548-550, 574; D8/300, 303, 315-321,
D8/349, 354, 363, 373, 380; 108/28-29;
211/13.1, 16, 60.1, 100, 86.01, 87.01, 88.01,
211/88.04, 105.1-105.2, 123, 182, 181.1;
248/176, 176.1, 251, 302, 309.1; 16/110.1,
16/412, 415; 242/570, 590, 595-598

See application file for complete search history.

(56) **References Cited**

U.S. PATENT DOCUMENTS

D430,766 S * 9/2000 Sorensen et al. D6/574

D431,407 S * 10/2000 Sorensen et al. D6/574

D435,382 S * 12/2000 Sorensen et al. D6/574

D574,653 S * 8/2008 Belokin et al. D6/574

D592,436 S * 5/2009 Thompson et al. D6/574

* cited by examiner

Primary Examiner—Brian N Vinson

(74) *Attorney, Agent, or Firm*—Dunlap Codding, P.C.

(57) **CLAIM**

The ornamental design for a shelf, as shown and described.

DESCRIPTION

FIG. 1 is a perspective view of a shelf showing a new design.

FIG. 2 is a front elevational view thereof.

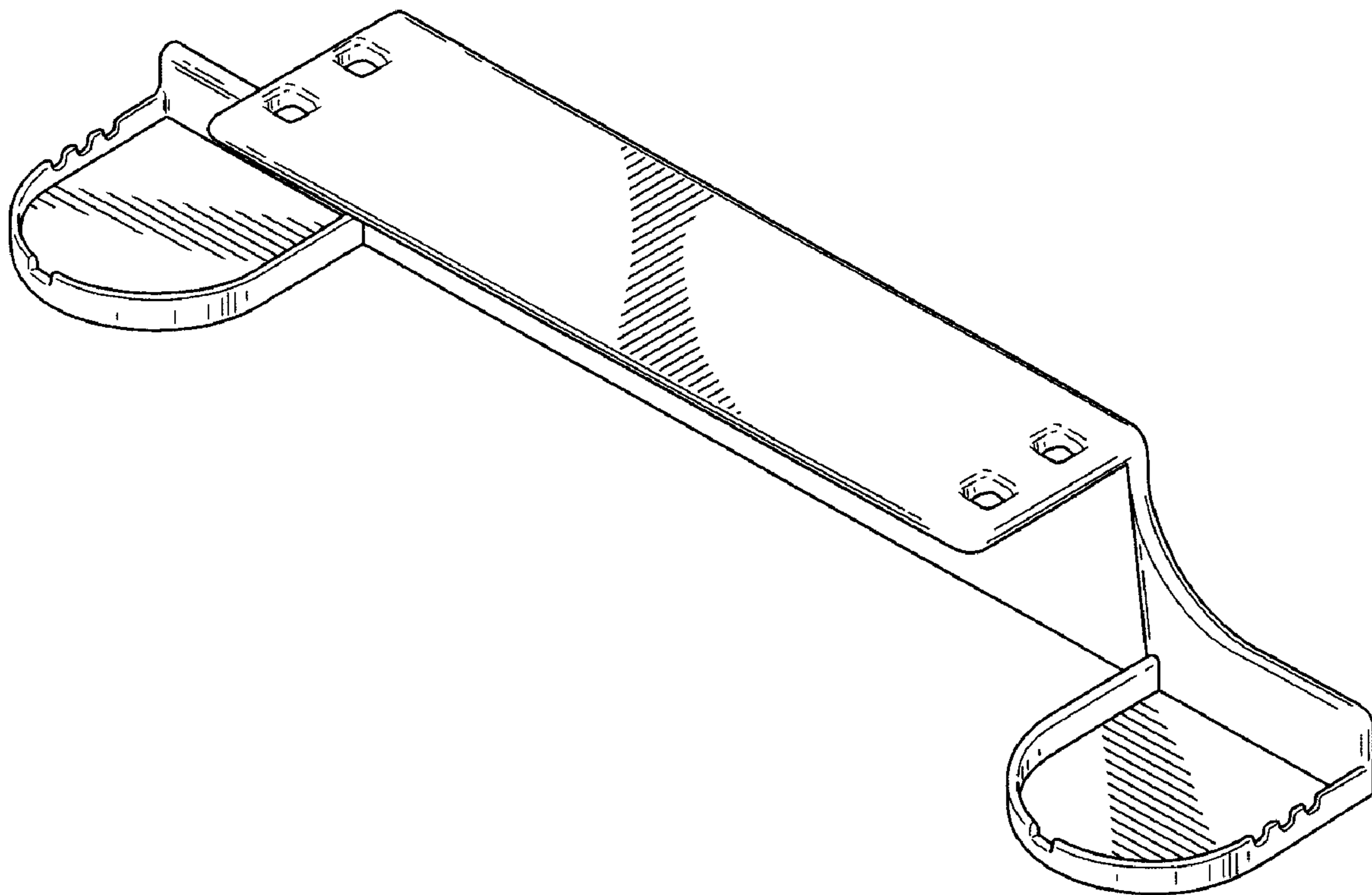
FIG. 3 is a rear elevational view thereof.

FIG. 4 is a bottom plan view thereof.

FIG. 5 is a top plan view thereof; and,

FIGS. 6 and 7 are side elevational views thereof and wherein the right side and the left side elevational views are mirror images of each other.

1 Claim, 4 Drawing Sheets



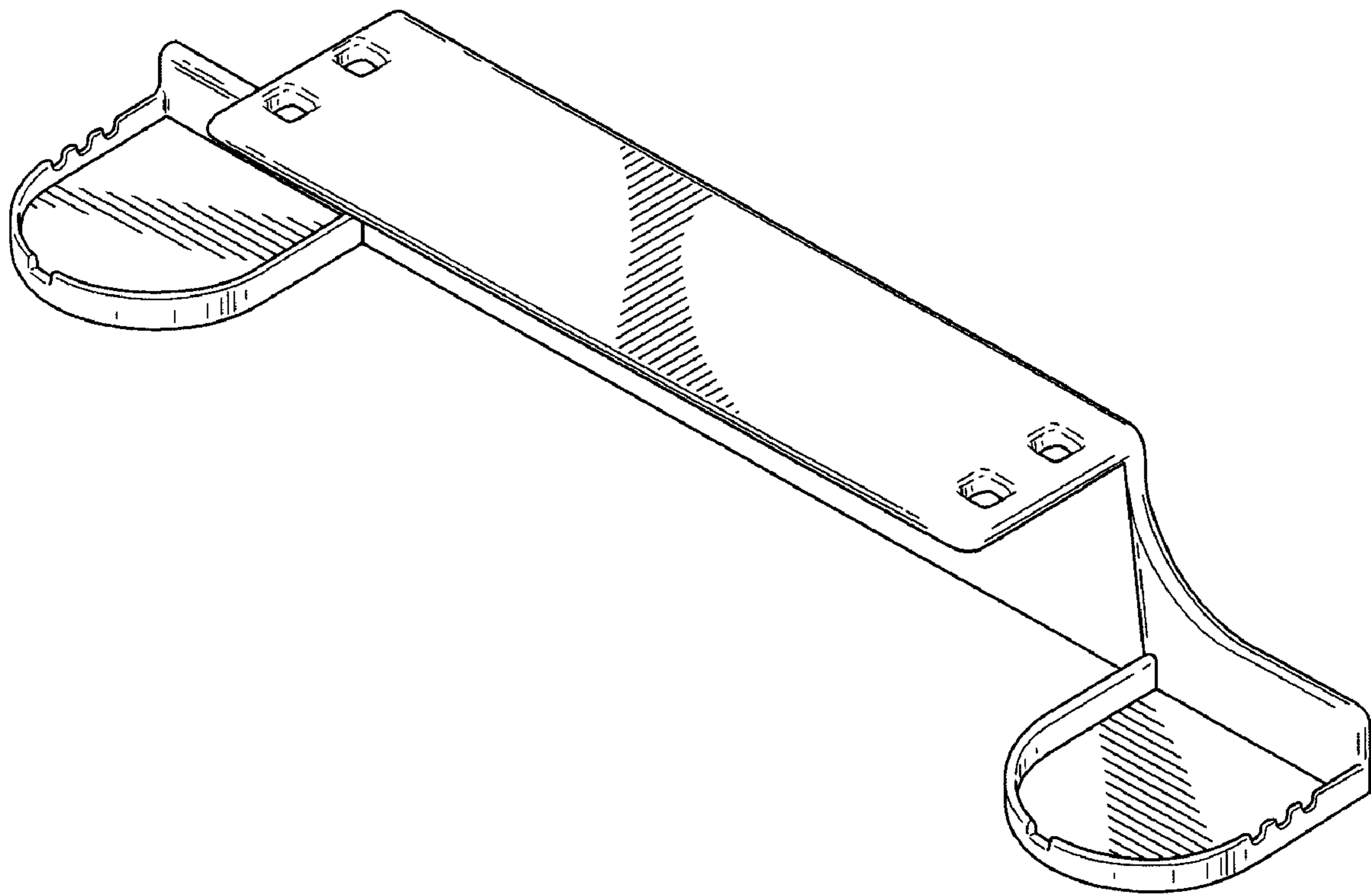


FIG. 1

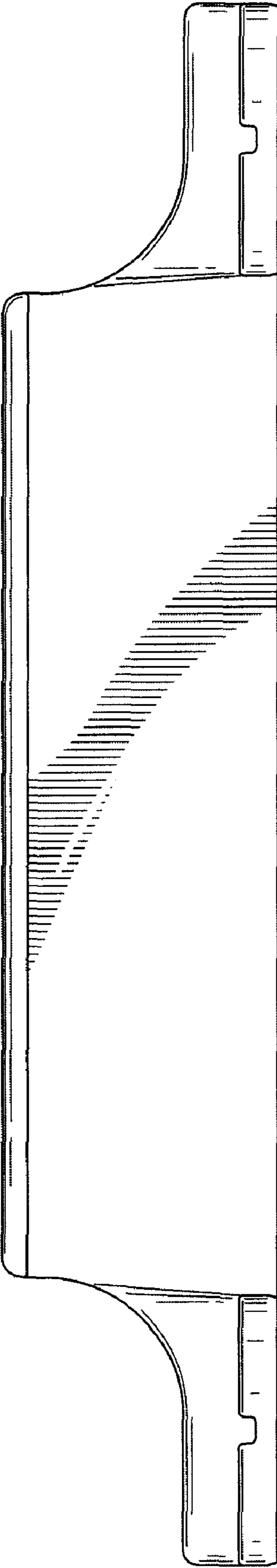


FIG. 2

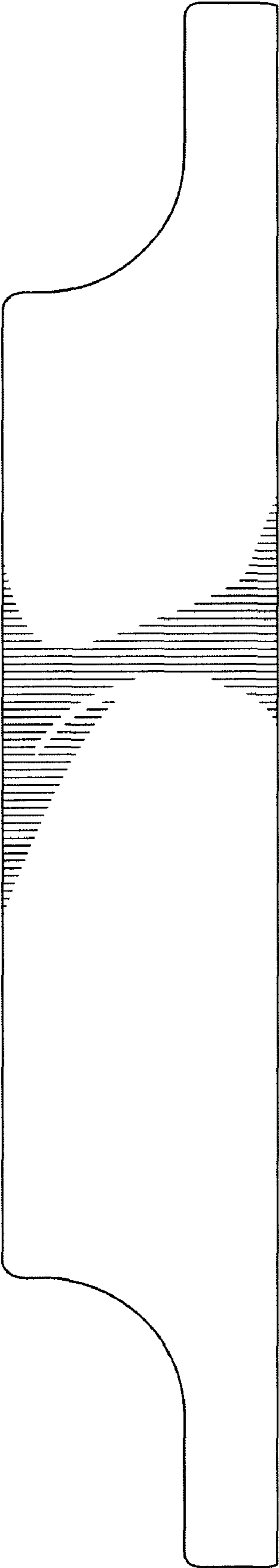


FIG. 3

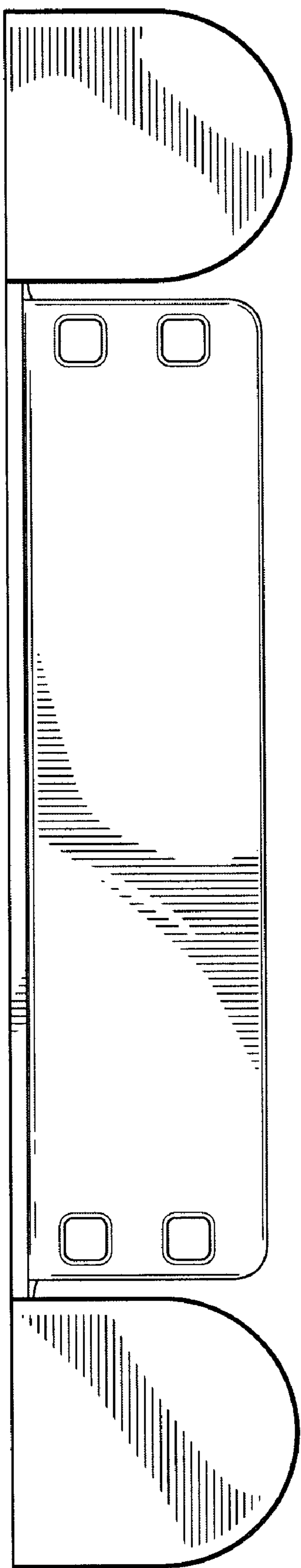


FIG. 4

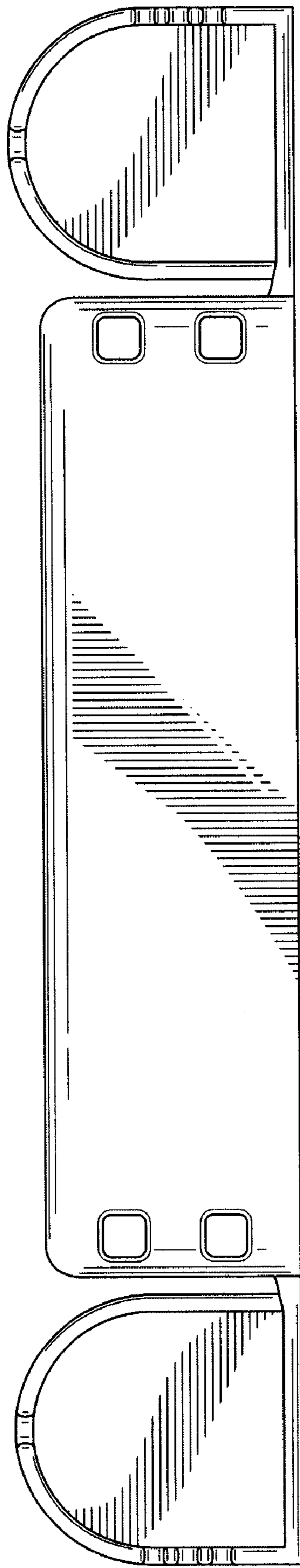


FIG. 5

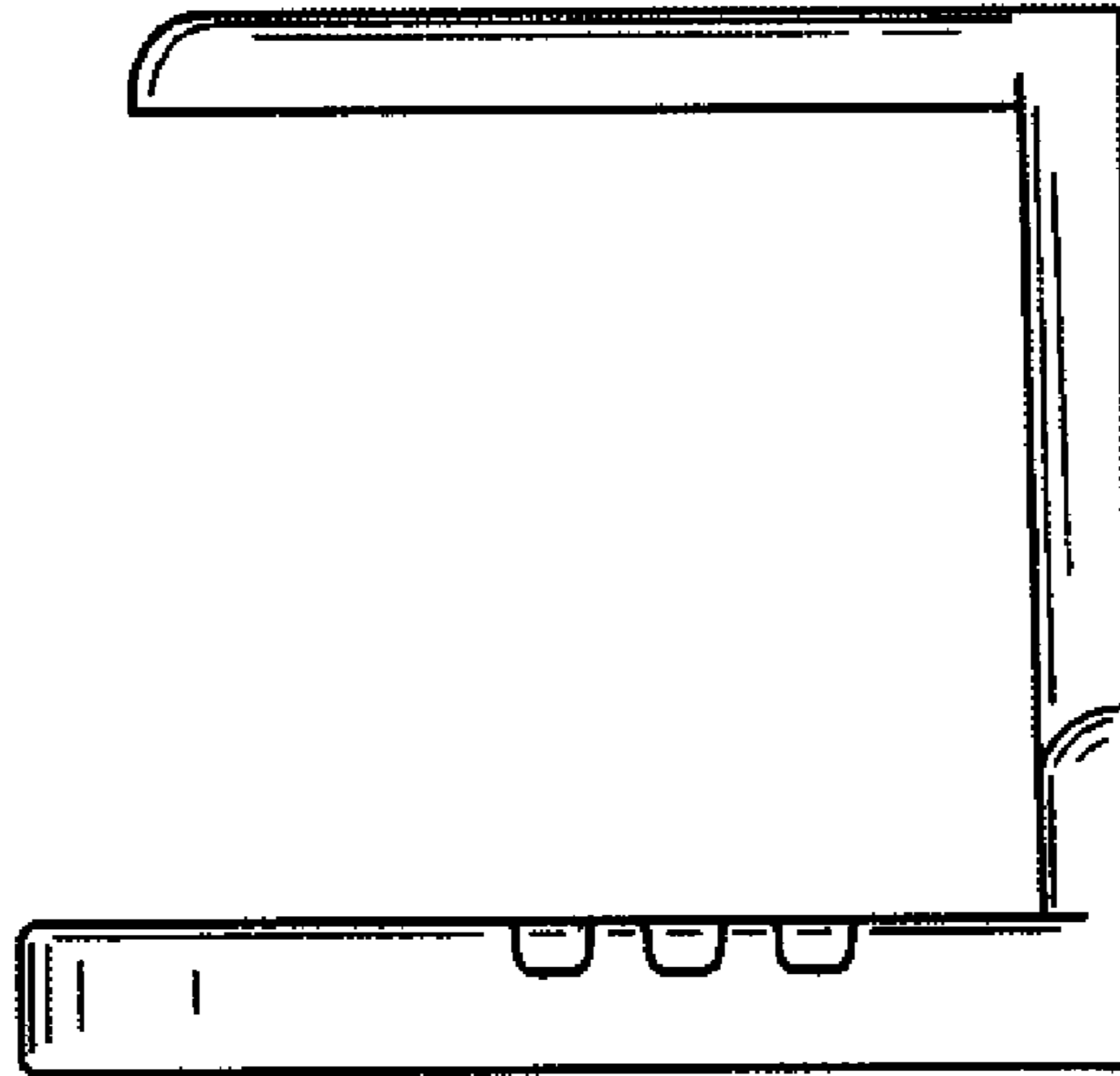


FIG. 6

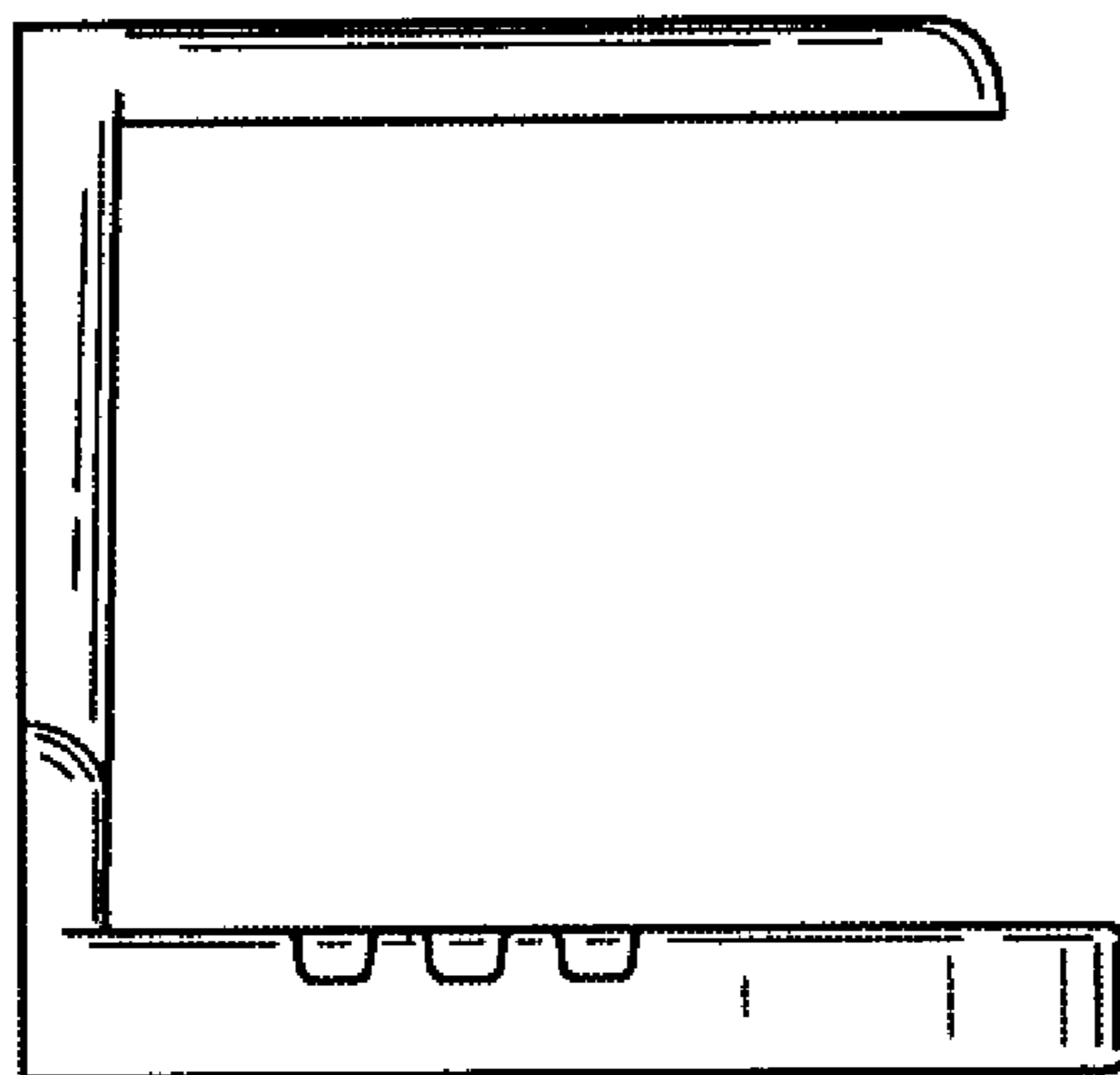


FIG. 7