



US00D630457S

(12) **United States Design Patent**
Tierney

(10) **Patent No.:** **US D630,457 S**
(45) **Date of Patent:** **** Jan. 11, 2011**

(54) **HANGING STORAGE ORGANIZER**

(75) Inventor: **David James Tierney**, Jersey City, NJ
(US)

(73) Assignee: **Bed Bath & Beyond Procurement Co.**
Inc., Farmingdale, NY (US)

(**) Term: **14 Years**

(21) Appl. No.: **29/366,457**

(22) Filed: **Jul. 26, 2010**

Related U.S. Application Data

(62) Division of application No. 29/353,786, filed on Jan. 14, 2010.

(51) **LOC (9) Cl.** **06-06**

(52) **U.S. Cl.** **D6/513**

(58) **Field of Classification Search** D6/512-514,
D6/315, 317, 320, 324, 325, 522, 570, 574,
D6/548, 549; D21/692; 211/13.1, 34-39,
211/85.31, 113, 117-119; 248/309.2

See application file for complete search history.

(56) **References Cited**

U.S. PATENT DOCUMENTS

1,982,166	A	11/1934	Hultquist	
2,440,192	A	4/1948	Cowan	
D167,836	S	9/1952	Kandarian	
2,620,074	A	12/1952	Moore	
2,710,638	A	6/1955	Ford	
3,162,473	A *	12/1964	George	211/113
3,184,273	A	5/1965	Blough	
3,187,904	A *	6/1965	Kiechle	211/118
3,414,175	A	12/1968	Brosk	
3,610,426	A *	10/1971	Thomas	211/117
D243,055	S	1/1977	Blumberg	
D247,084	S	1/1978	De Mascole et al.	
4,134,479	A	1/1979	Crider, Jr.	
D256,636	S	9/1980	Leishman	
4,422,556	A	12/1983	Moore	
D277,349	S *	1/1985	Campbell	D6/513
4,518,089	A *	5/1985	Campbell	211/118

4,535,990	A	8/1985	Yamada	
4,595,106	A	6/1986	Kunze et al.	
4,620,651	A	11/1986	Spies	
4,893,715	A *	1/1990	Papazian et al.	211/118
4,947,987	A	8/1990	Keenan	
5,065,864	A	11/1991	Schmitt	
D332,697	S	1/1993	Schildkraut	

(Continued)

Primary Examiner—Brian N Vinson

(74) *Attorney, Agent, or Firm*—Lerner, David, Littenberg, Krumholz & Mentlik, LLP

(57) **CLAIM**

The ornamental design for a hanging storage organizer, as shown and described.

DESCRIPTION

FIG. 1 is a perspective view of a hanging storage organizer showing one embodiment of my new design;

FIG. 2 is a front elevational view of the hanging storage organizer as shown in FIG. 1;

FIG. 3 is a rear elevational view of the hanging storage organizer as shown in FIG. 1;

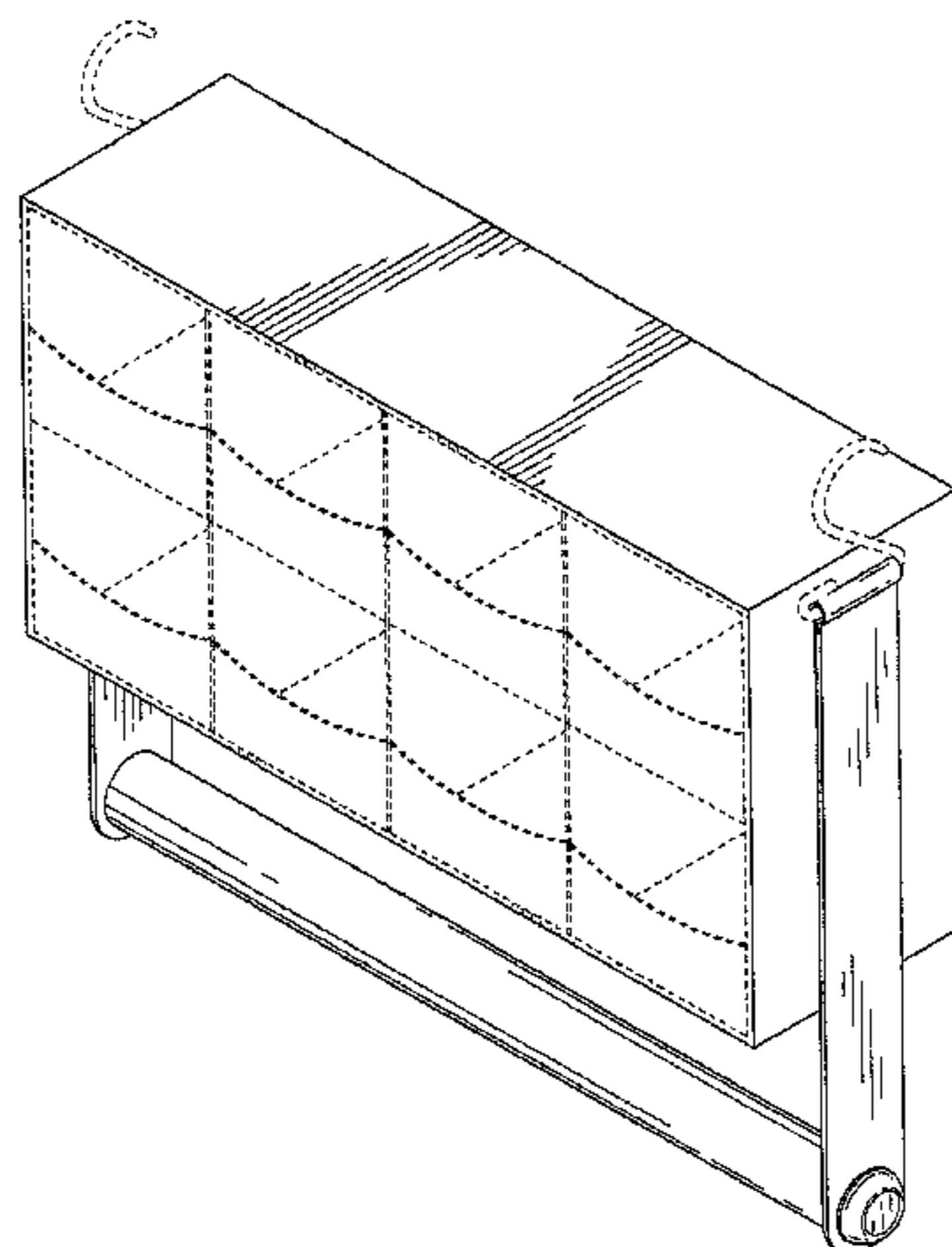
FIG. 4 is a right side elevational view of the hanging storage organizer as shown in FIG. 1, the left side elevational view being a mirror image thereof;

FIG. 5 is a top plan view of the hanging storage organizer as shown in FIG. 1; and,

FIG. 6 is a bottom plan view of the hanging storage organizer as shown in FIG. 1.

The broken-line disclosure in the views is understood to comprise a portion of the article in which the claimed design is embodied, but which forms no part of the claimed design.

1 Claim, 5 Drawing Sheets



US D630,457 S

Page 2

U.S. PATENT DOCUMENTS

D367,985 S	3/1996	Hale	5,865,517 A	2/1999	Wang	
5,509,588 A	4/1996	Kimball	6,273,280 B1 *	8/2001	Markarian 211/113
5,526,968 A	6/1996	Larson	D465,363 S	11/2002	Ong	
5,542,530 A	8/1996	Frelander	6,732,659 B2	5/2004	Poon	
5,628,398 A	5/1997	Jackson	6,808,064 B1	10/2004	Fanning	
D382,747 S	8/1997	Dickinson et al.	7,059,469 B2	6/2006	Simon et al.	
D390,011 S	2/1998	Turner	D610,849 S *	3/2010	Klein et al. D6/513
5,713,646 A	2/1998	Wang	2006/0137949 A1	6/2006	Levinson et al.	

* cited by examiner

FIG. 1

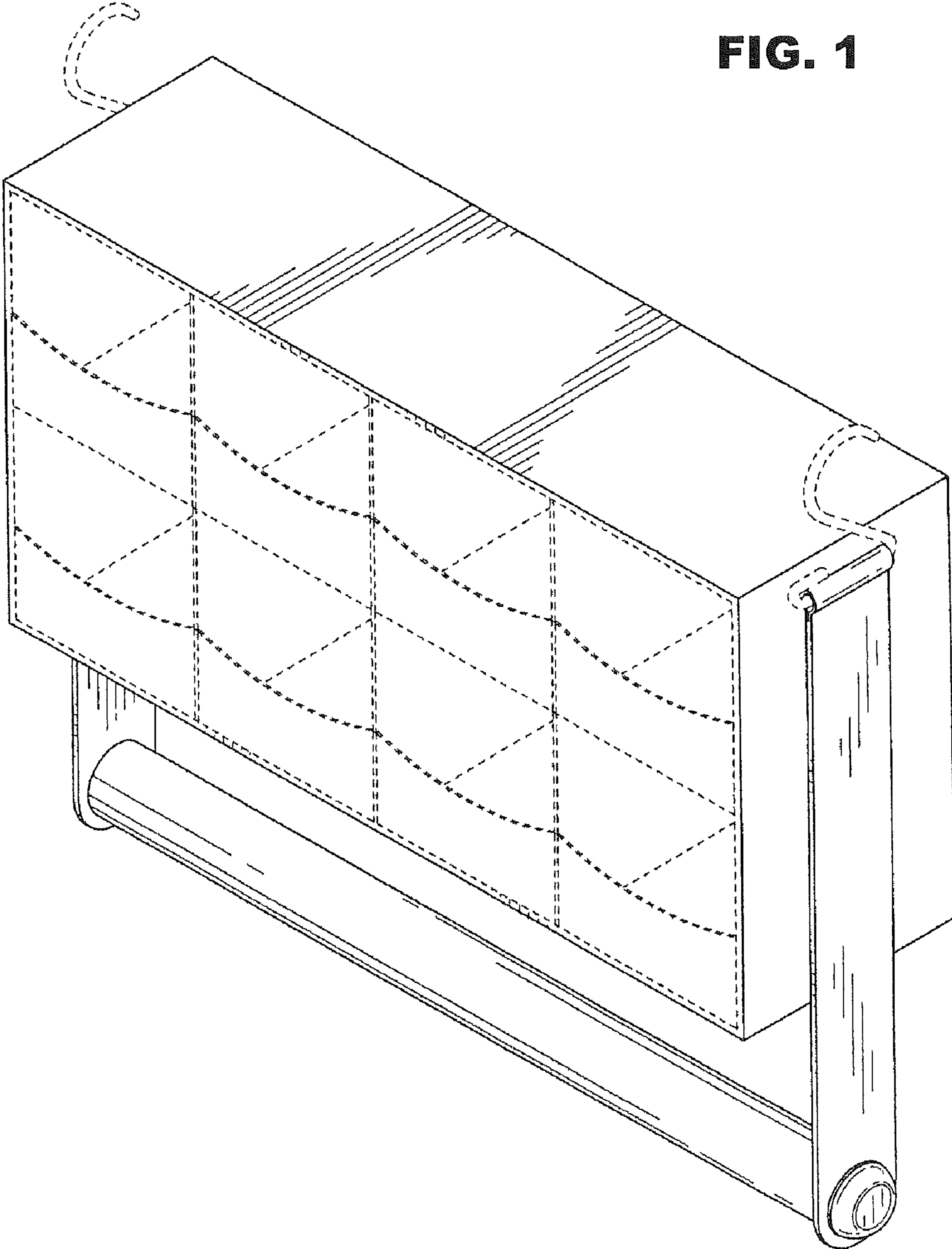


FIG. 2

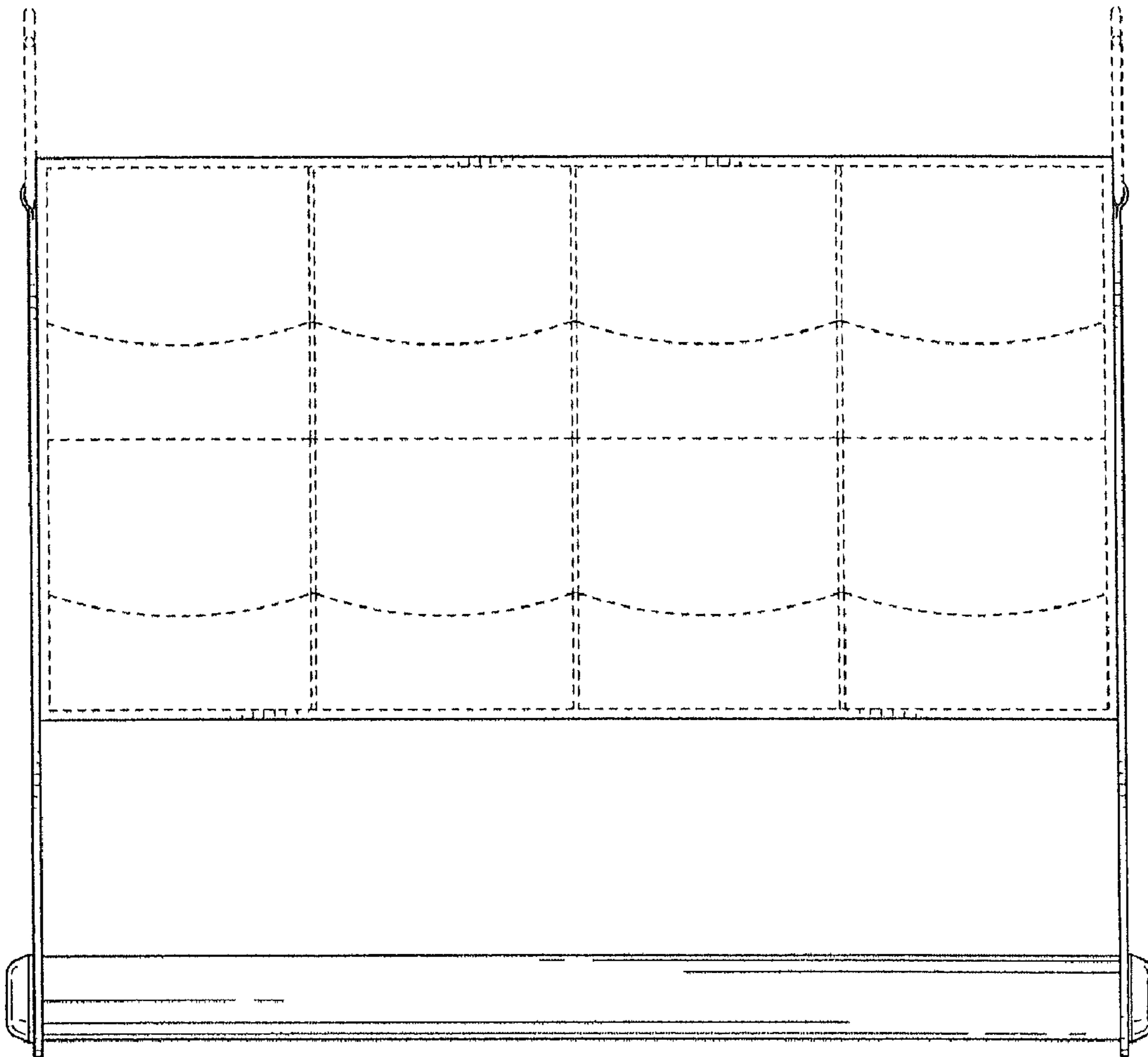


FIG. 3

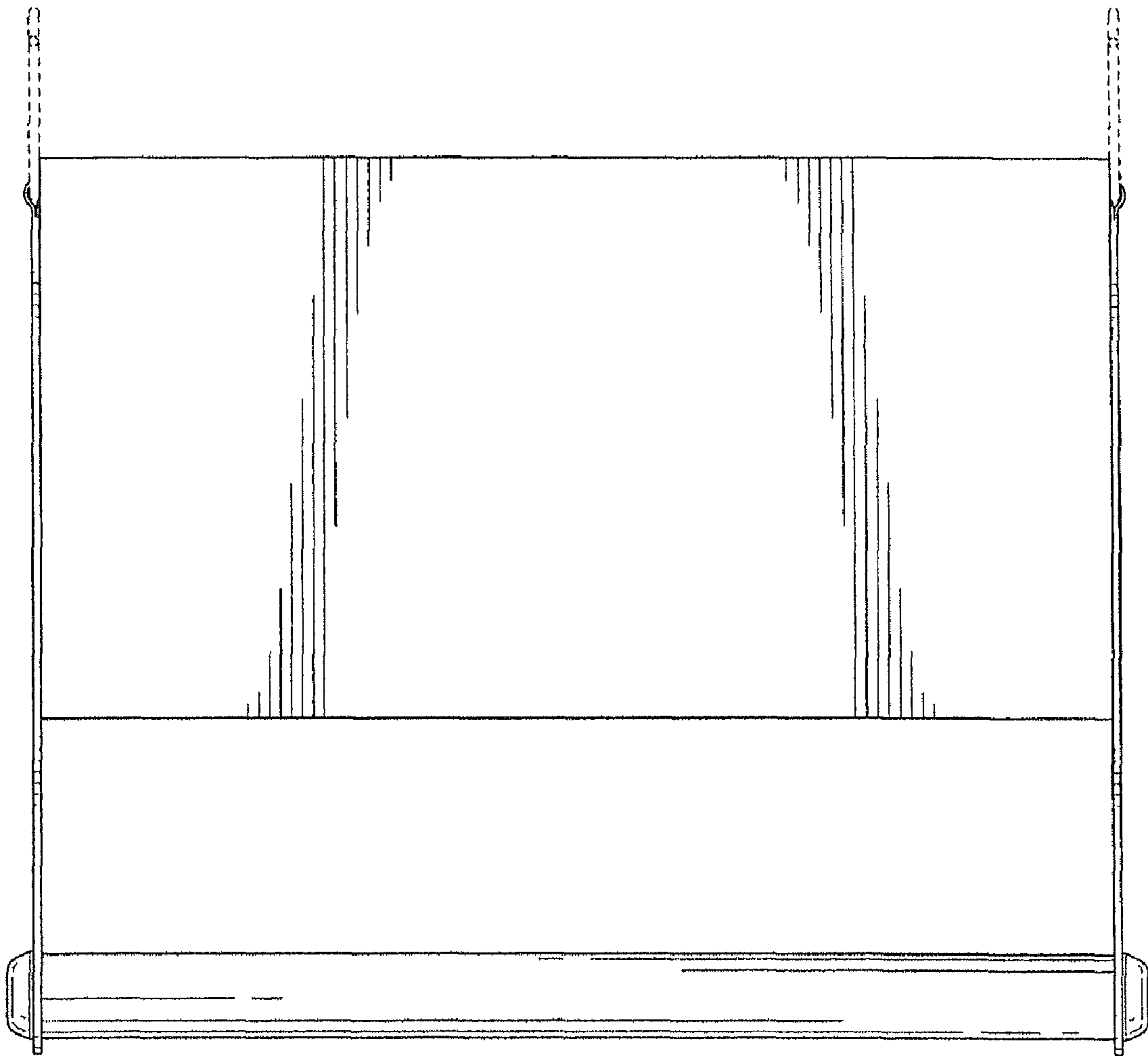


FIG. 4

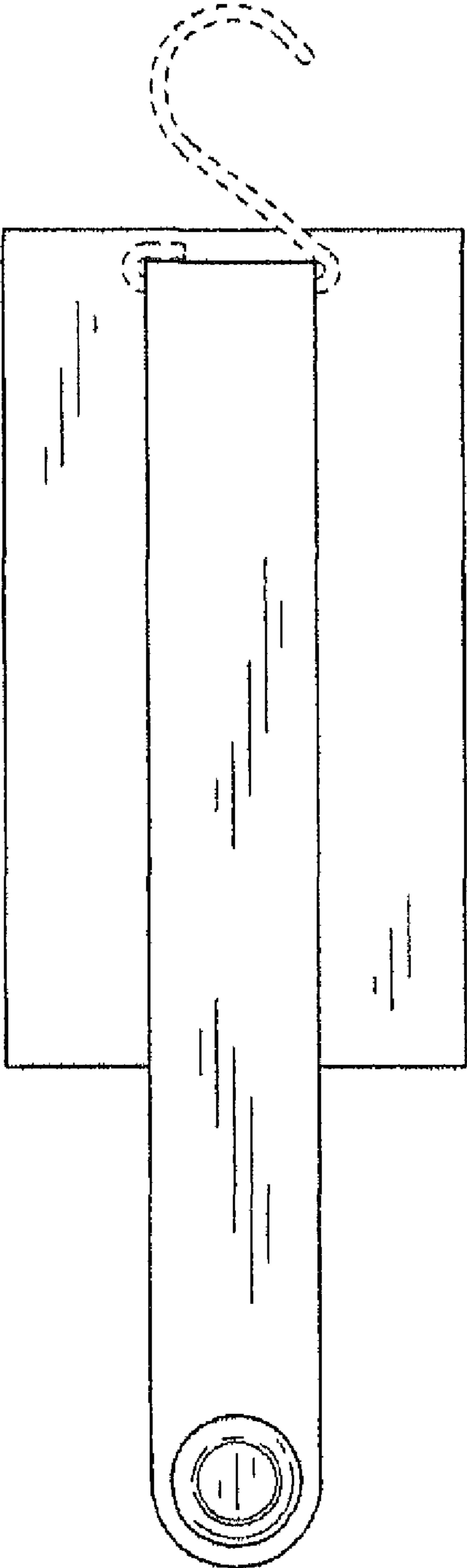


FIG. 5

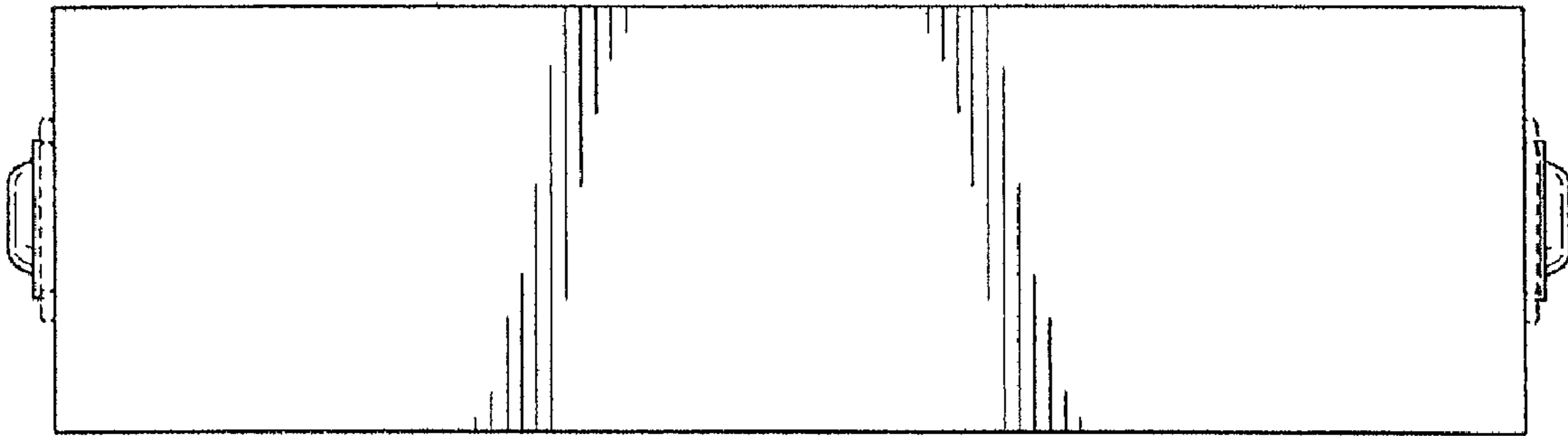


FIG. 6

