



US00D630456S

(12) **United States Design Patent**
Tierney

(10) **Patent No.:** **US D630,456 S**
(45) **Date of Patent:** **** Jan. 11, 2011**

(54) **HANGING STORAGE ORGANIZER**

(75) Inventor: **David James Tierney**, Jersey City, NJ
(US)

(73) Assignee: **Bed Bath & Beyond Procurement Co.**
Inc., Farmingdale, NY (US)

(**) Term: **14 Years**

(21) Appl. No.: **29/366,456**

(22) Filed: **Jul. 26, 2010**

Related U.S. Application Data

(62) Division of application No. 29/353,786, filed on Jan. 14, 2010.

(51) **LOC (9) Cl.** **06-06**

(52) **U.S. Cl.** **D6/513**

(58) **Field of Classification Search** D6/512-514,
D6/315, 317, 320, 324, 325, 522, 570, 574,
D6/548, 549; D21/692; 211/13.1, 34-39,
211/85.31, 113, 117-119; 248/309.2

See application file for complete search history.

(56) **References Cited**

U.S. PATENT DOCUMENTS

| | | | |
|---------------|---------|-------------------|---------|
| 1,982,166 A | 11/1934 | Hultquist | |
| 2,440,192 A | 4/1948 | Cowan | |
| D167,836 S | 9/1952 | Kandarian | |
| 2,620,074 A | 12/1952 | Moore | |
| 2,710,638 A | 6/1955 | Ford | |
| 3,162,473 A * | 12/1964 | George | 211/113 |
| 3,184,273 A | 5/1965 | Blough | |
| 3,187,904 A * | 6/1965 | Kiechle | 211/118 |
| 3,414,175 A | 12/1968 | Brosk | |
| 3,610,426 A * | 10/1971 | Thomas | 211/117 |
| D243,055 S | 1/1977 | Blumberg | |
| D247,084 S | 1/1978 | De Mascole et al. | |
| 4,134,479 A | 1/1979 | Crider, Jr. | |
| D256,636 S | 9/1980 | Leishman | |
| 4,422,556 A | 12/1983 | Moore | |
| D277,349 S * | 1/1985 | Campbell | D6/513 |
| 4,518,089 A * | 5/1985 | Campbell | 211/118 |

| | | | |
|---------------|---------|-----------------|---------|
| 4,535,990 A | 8/1985 | Yamada | |
| 4,595,106 A | 6/1986 | Kunze et al. | |
| 4,620,651 A | 11/1986 | Spies | |
| 4,893,715 A * | 1/1990 | Papazian et al. | 211/118 |
| 4,947,987 A | 8/1990 | Keenan | |
| 5,065,864 A | 11/1991 | Schmitt | |
| D332,697 S | 1/1993 | Schildkraut | |

(Continued)

Primary Examiner—Brian N Vinson

(74) *Attorney, Agent, or Firm*—Lerner, David, Littenberg, Krumholz & Mentlik, LLP

(57) **CLAIM**

The ornamental design for a hanging storage organizer, as shown and described.

DESCRIPTION

FIG. 1 is a perspective view of a hanging storage organizer showing one embodiment of my new design;

FIG. 2 is a front elevational view of the hanging storage organizer as shown in FIG. 1;

FIG. 3 is a rear elevational view of the hanging storage organizer as shown in FIG. 1;

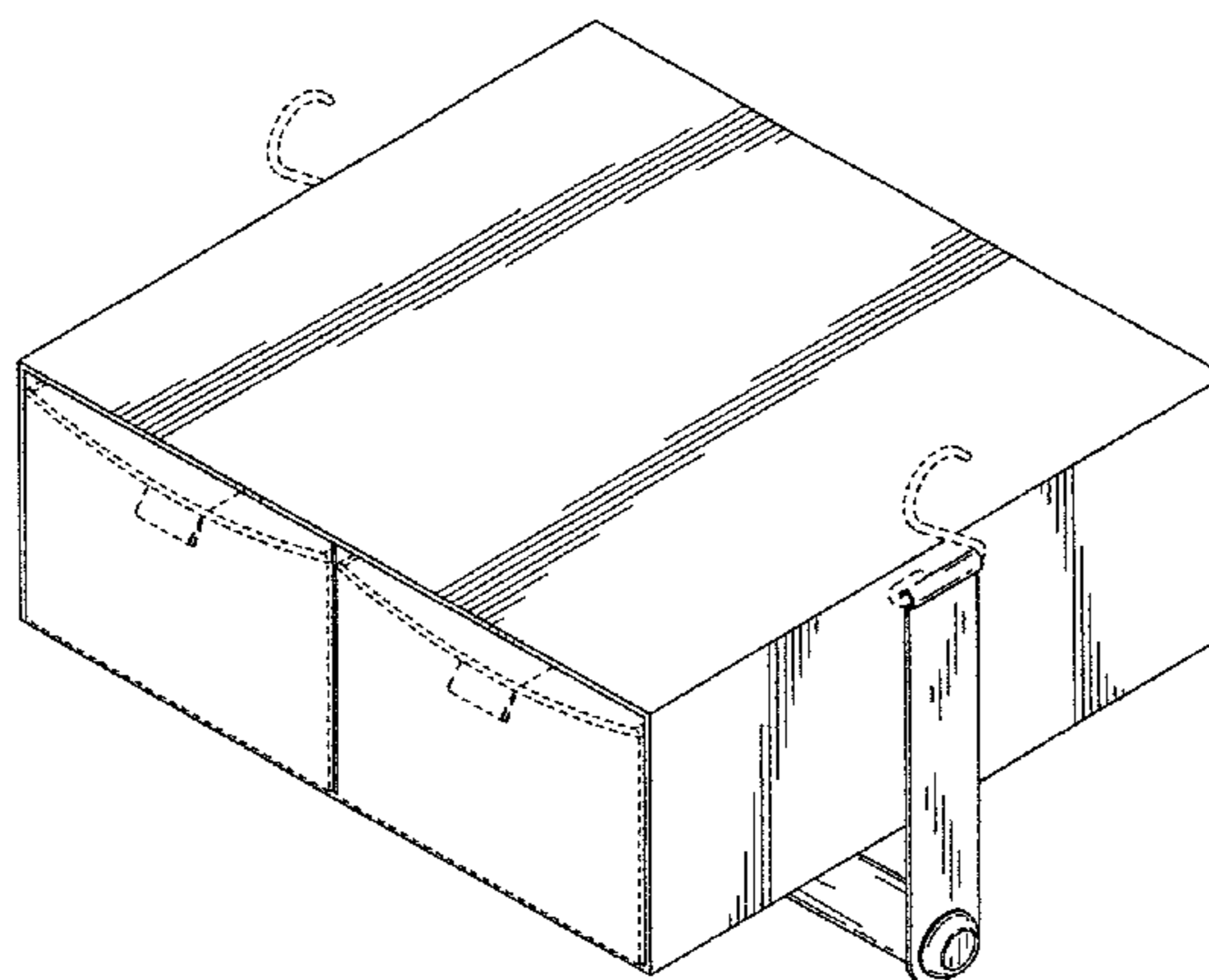
FIG. 4 is a right side elevational view of the hanging storage organizer as shown in FIG. 1, the left side elevational view being a mirror image thereof;

FIG. 5 is a top plan view of the hanging storage organizer as shown in FIG. 1; and,

FIG. 6 is a bottom plan view of the hanging storage organizer as shown in FIG. 1.

The broken-line disclosure in the views is understood to comprise a portion of the article in which the claimed design is embodied, but which forms no part of the claimed design.

1 Claim, 6 Drawing Sheets



US D630,456 S

Page 2

U.S. PATENT DOCUMENTS

| | | | | | | |
|-------------|--------|------------------|-----------------|---------|-----------------|---------------|
| D367,985 S | 3/1996 | Hale | 5,865,517 A | 2/1999 | Wang | |
| 5,509,588 A | 4/1996 | Kimball | 6,273,280 B1 * | 8/2001 | Markarian | 211/113 |
| 5,526,968 A | 6/1996 | Larson | D465,363 S | 11/2002 | Ong | |
| 5,542,530 A | 8/1996 | Frelander | 6,732,659 B2 | 5/2004 | Poon | |
| 5,628,398 A | 5/1997 | Jackson | 6,808,064 B1 | 10/2004 | Fanning | |
| D382,747 S | 8/1997 | Dickinson et al. | 7,059,469 B2 | 6/2006 | Simon et al. | |
| D390,011 S | 2/1998 | Turner | D610,849 S * | 3/2010 | Klein et al. | D6/513 |
| 5,713,646 A | 2/1998 | Wang | 2006/0137949 A1 | 6/2006 | Levinson et al. | |

* cited by examiner

FIG. 1

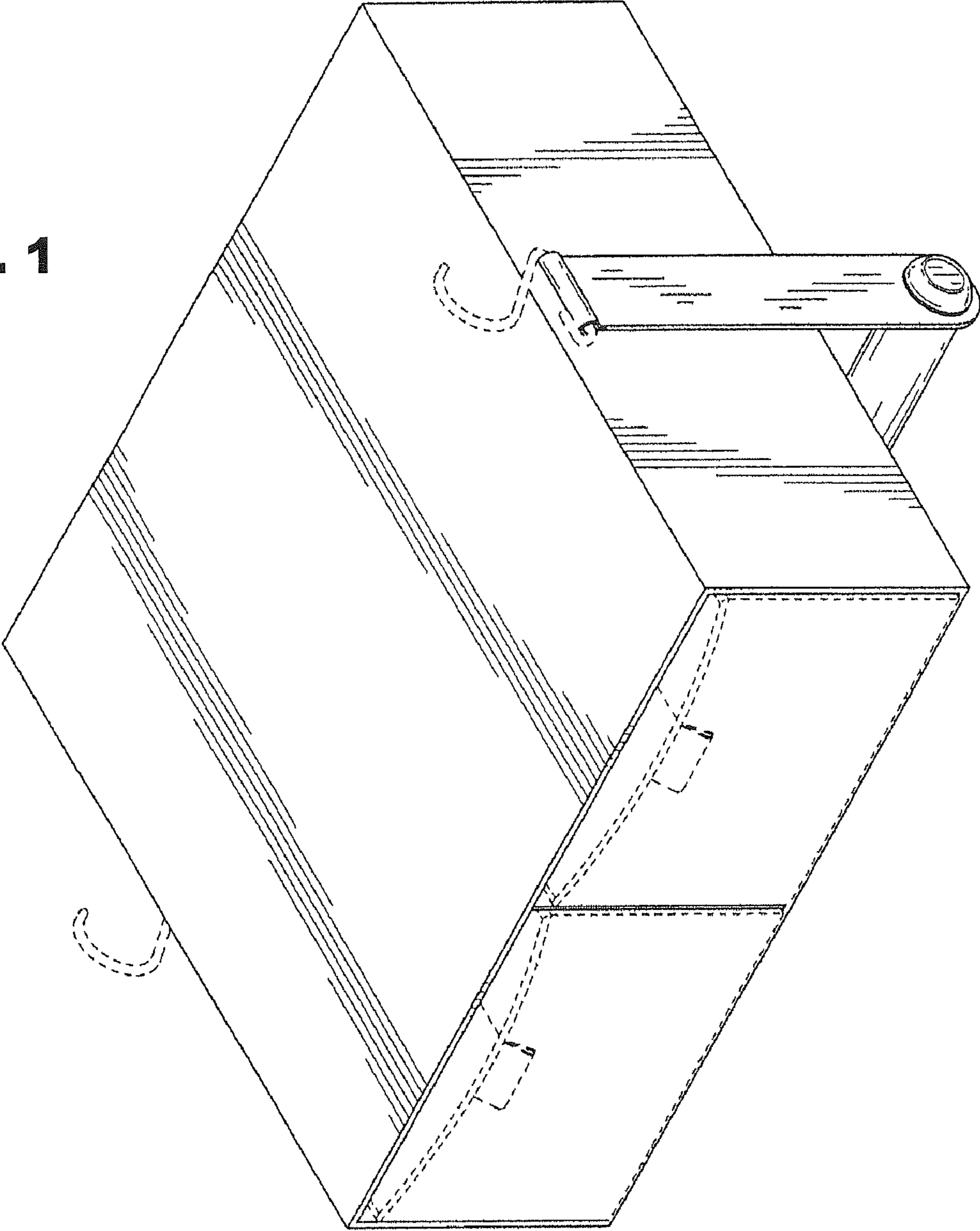


FIG. 2

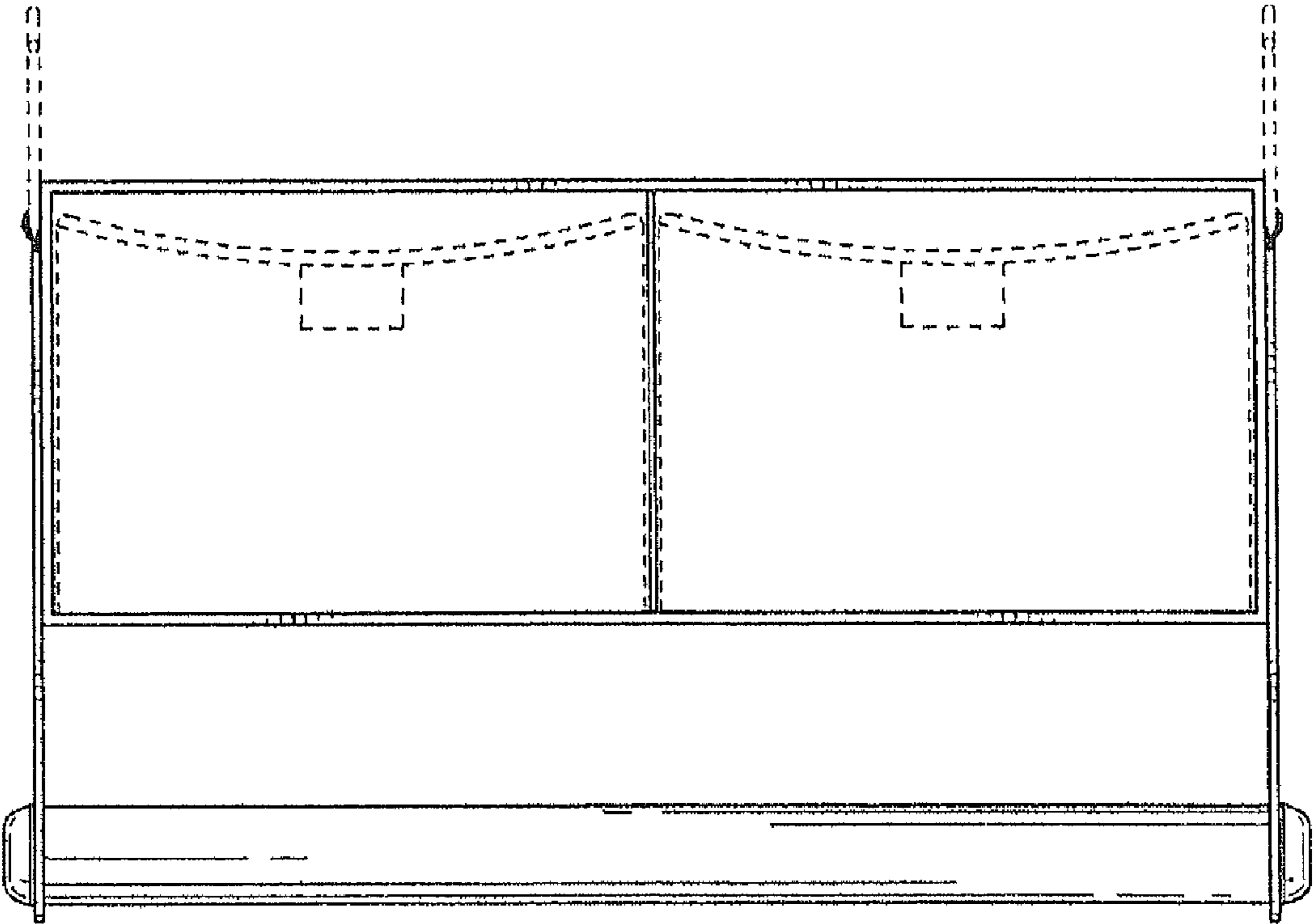


FIG. 3

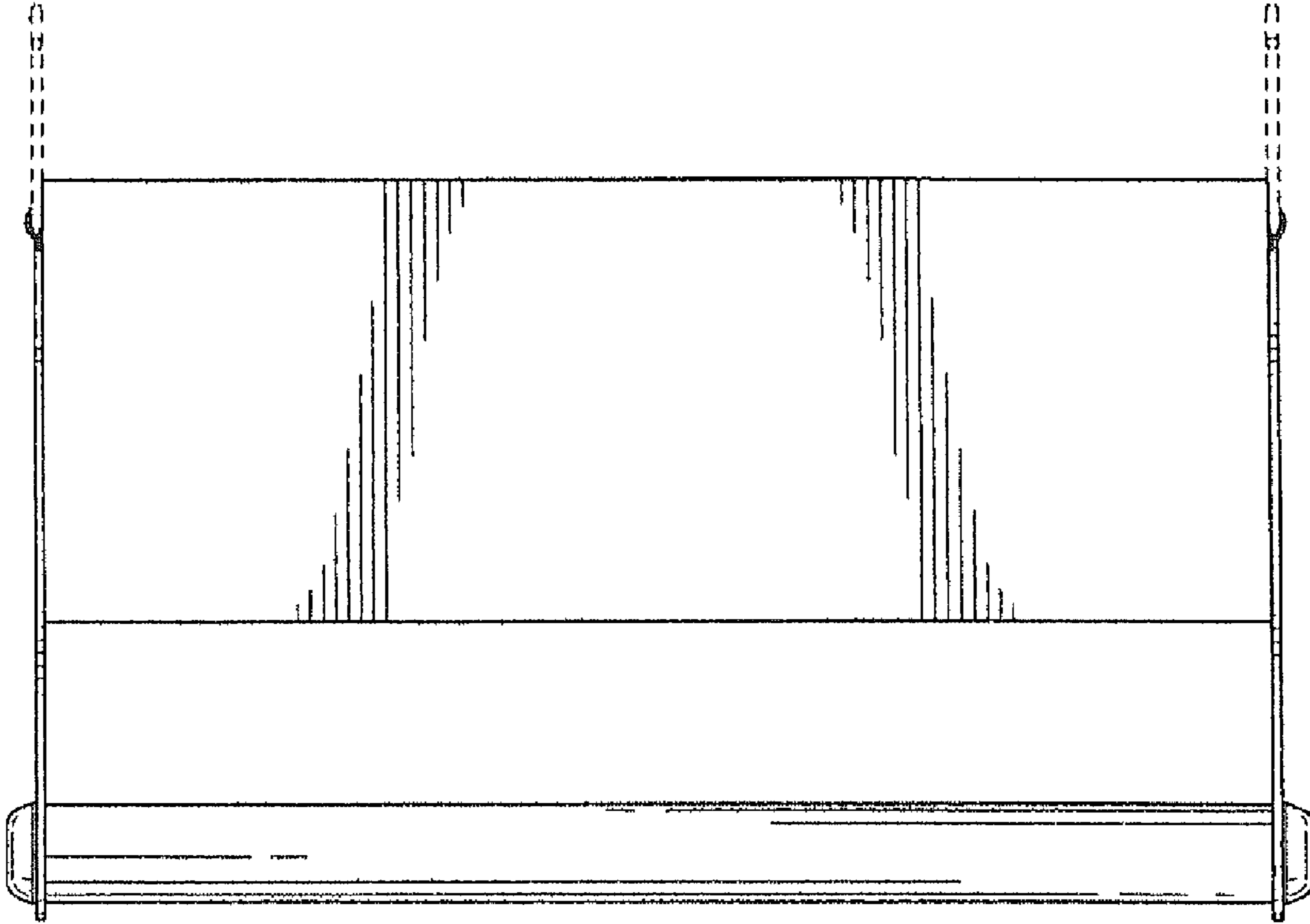


FIG. 4

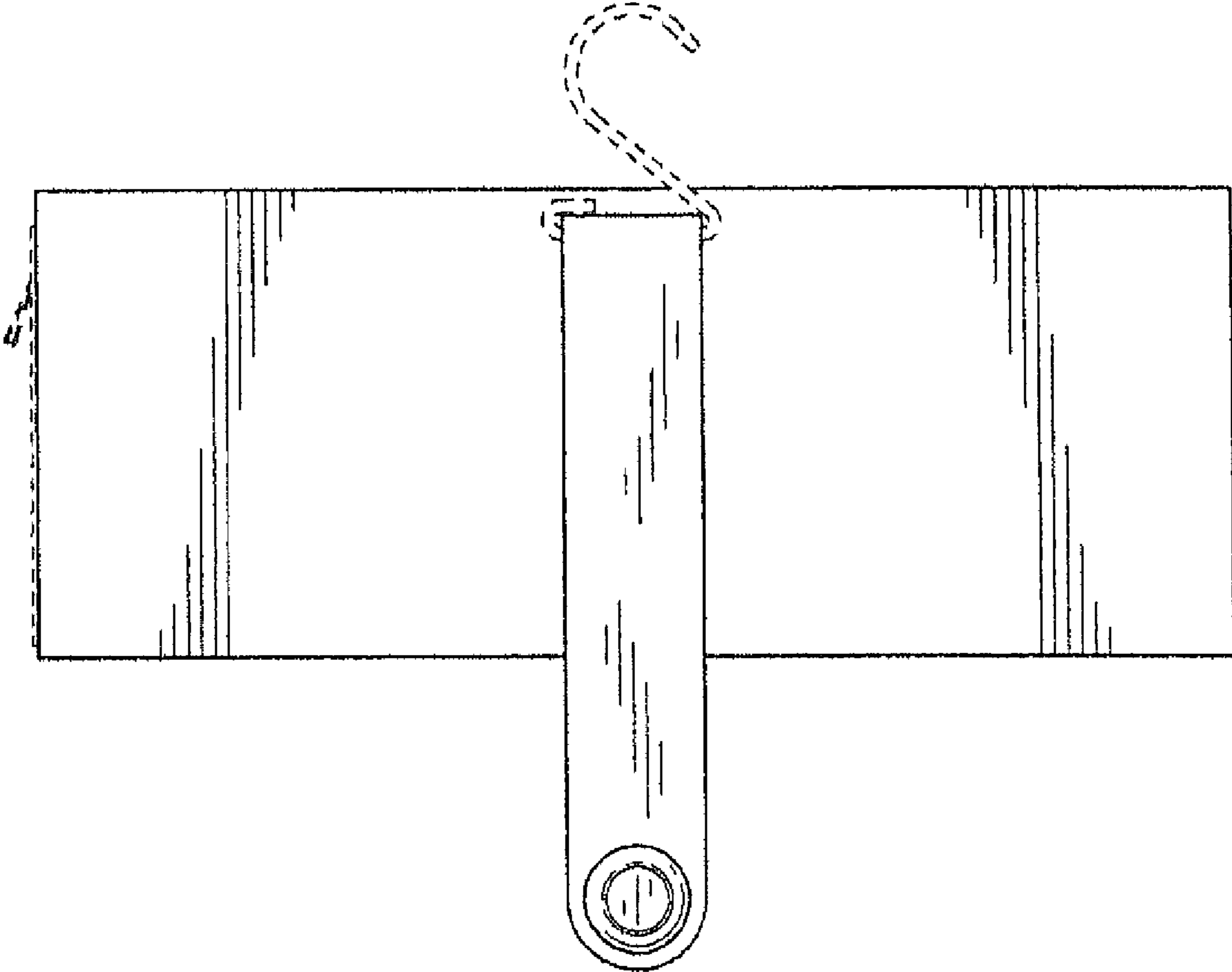


FIG. 5

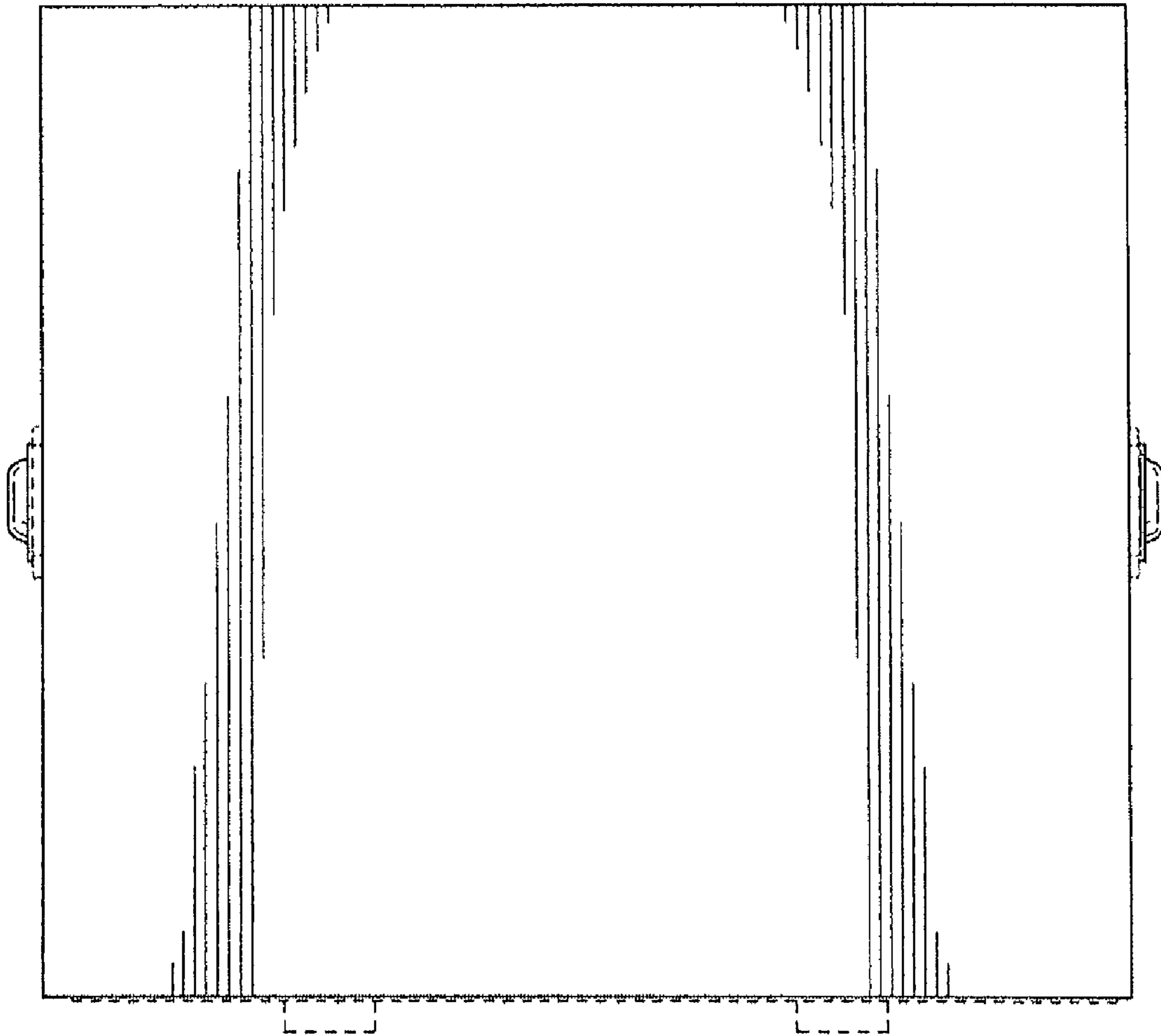


FIG. 6

