

US00D630455S

(12) **United States Design Patent**
Shang

(10) **Patent No.:** **US D630,455 S**

(45) **Date of Patent:** **** Jan. 11, 2011**

(54) **CONNECTING DEVICE FOR A COMBINATION CABINET**

D592,708 S * 5/2009 Hsu D21/369
D598,277 S * 8/2009 Tsai D8/394

(76) Inventor: **Kuo-Wen Shang**, No. 66, Lane 428, Sec. 1, Shatian Rd., Dadu Township, Taichung County 432 (TW)

* cited by examiner

Primary Examiner—Elizabeth A Albert
Assistant Examiner—Kelley A Donnelly
(74) *Attorney, Agent, or Firm*—Banger Shia

(**) Term: **14 Years**

(21) Appl. No.: **29/339,305**

(57) **CLAIM**

(22) Filed: **Jun. 27, 2009**

The ornamental design for a connecting device for a combination cabinet, as shown and described.

(51) **LOC (9) Cl.** **06-02**

(52) **U.S. Cl.** **D6/509**

(58) **Field of Classification Search** D6/491,
D6/496, 509; D8/349, 354, 382, 394; D3/313,
D3/318–319; 403/170–171, 174, 403, 205;
312/107, 111

See application file for complete search history.

DESCRIPTION

FIG. 1 is a perspective view of a connecting device for a combination cabinet showing my new design;

FIG. 2 is a front elevational view thereof;

FIG. 3 is a rear elevational view thereof;

FIG. 4 is a left side elevational view thereof;

FIG. 5 is a right side elevational view thereof;

FIG. 6 is a top plan view thereof; and,

FIG. 7 is a bottom plan view thereof.

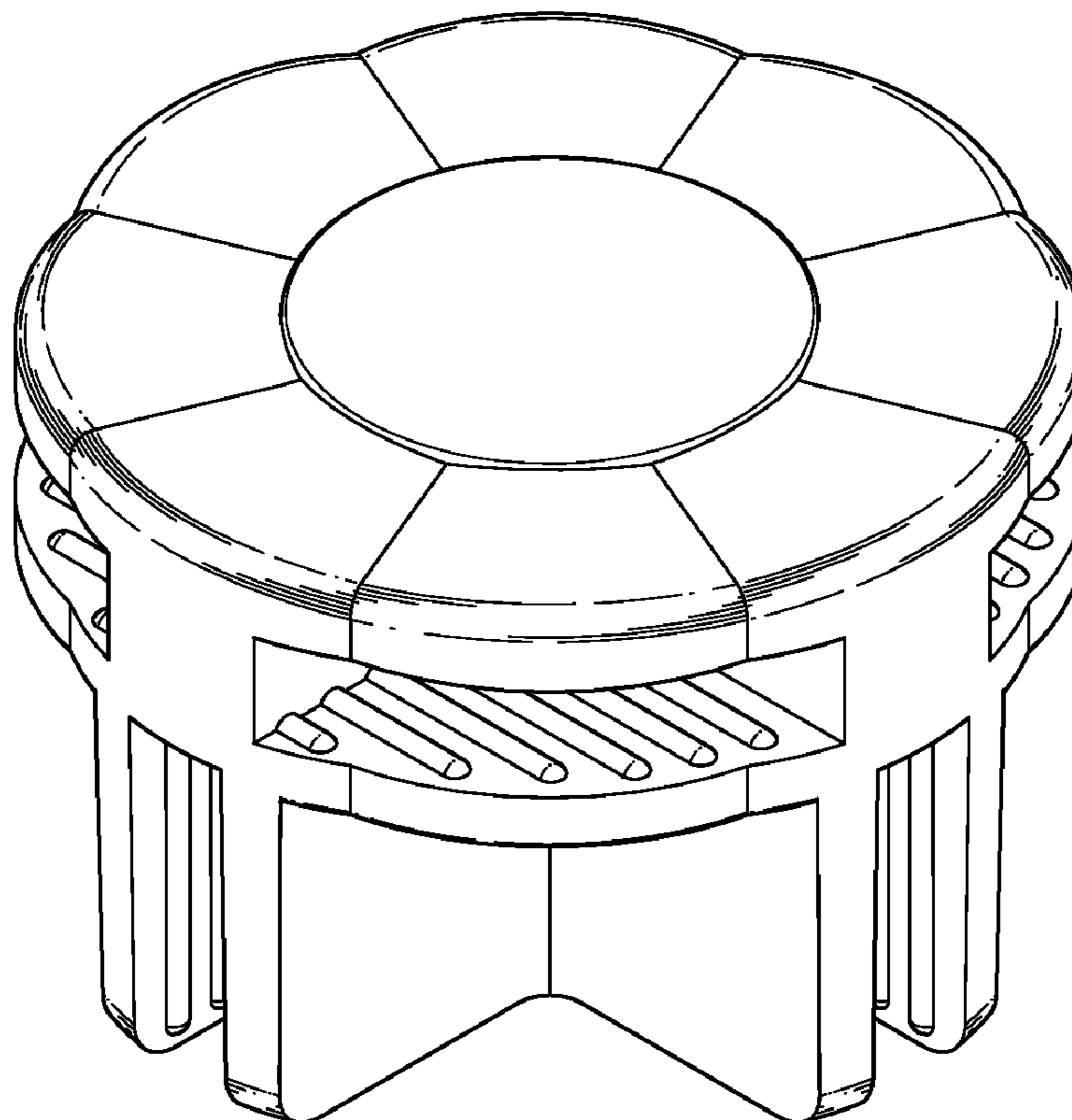
The broken lines shown are included for the purpose of illustrating environmental structures and form no part of the claimed design.

(56) **References Cited**

U.S. PATENT DOCUMENTS

- D308,011 S * 5/1990 Norris D8/356
- 5,464,305 A * 11/1995 Liem 403/362
- 5,549,408 A * 8/1996 Lo 403/218
- D399,348 S * 10/1998 Dancyger D3/313
- D458,310 S * 6/2002 Lynch D21/369
- D561,266 S * 2/2008 Baazov et al. D21/369
- D571,644 S * 6/2008 Ilang D8/382

1 Claim, 6 Drawing Sheets



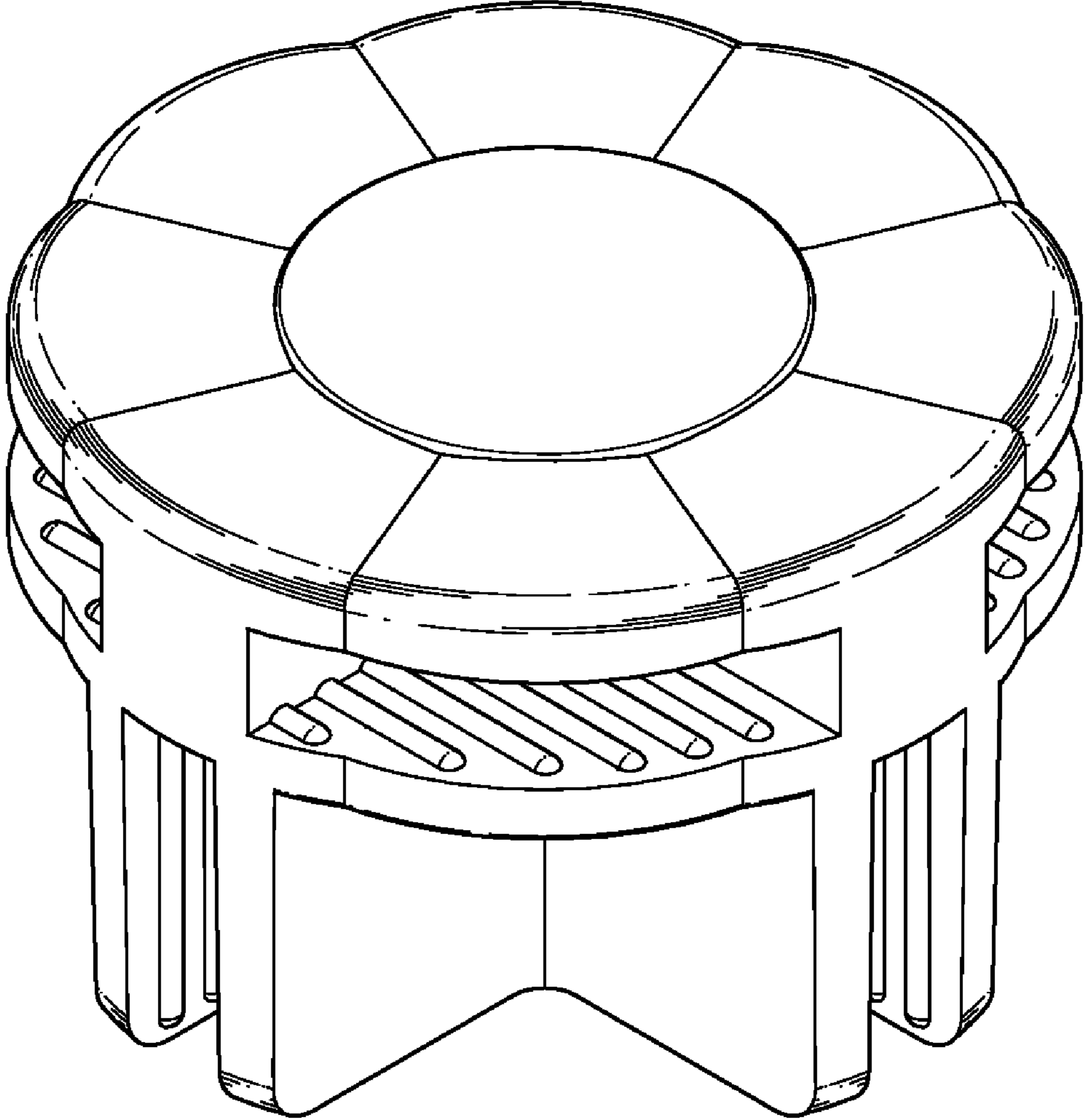


FIG. 1

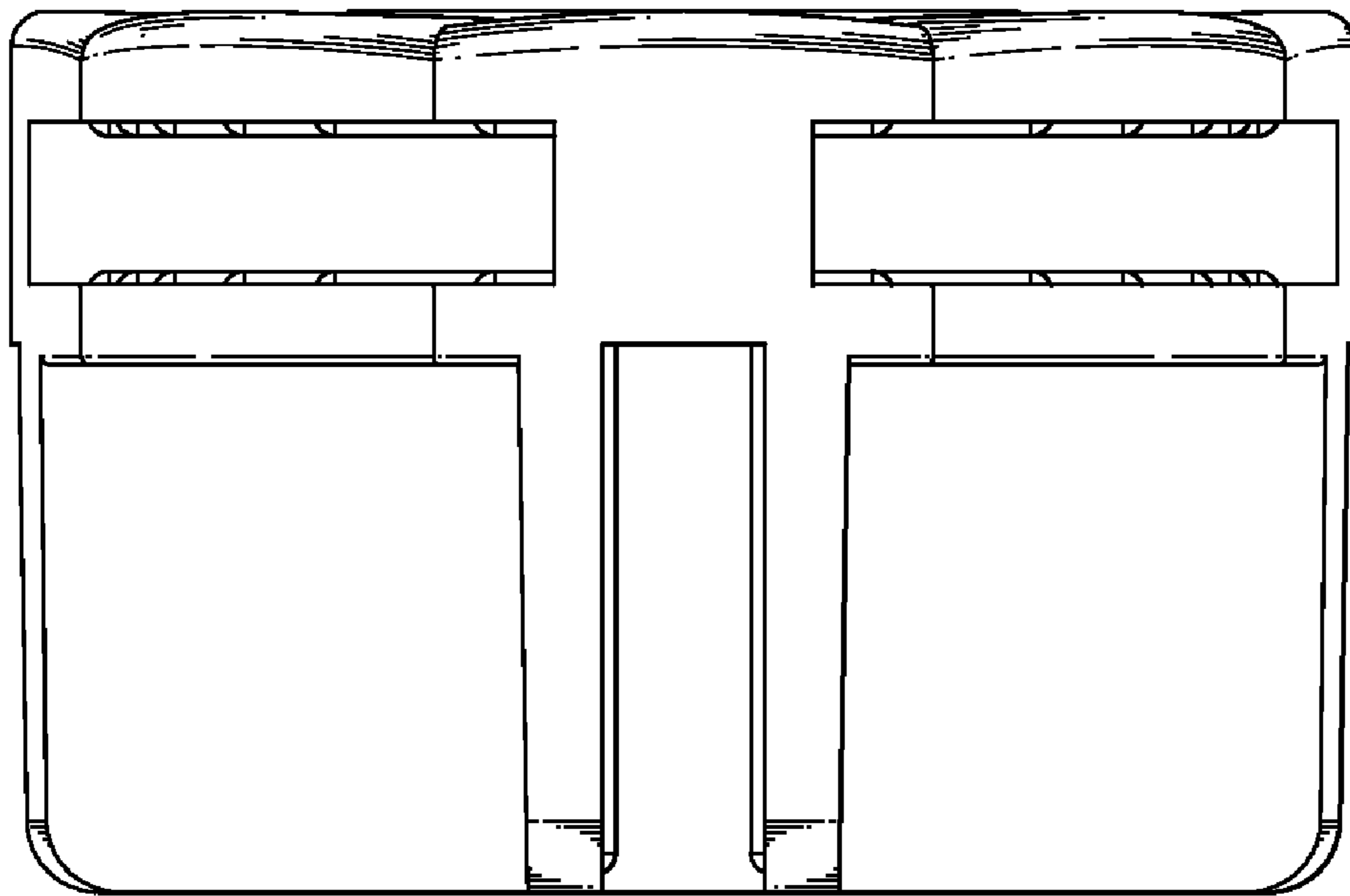


FIG. 2

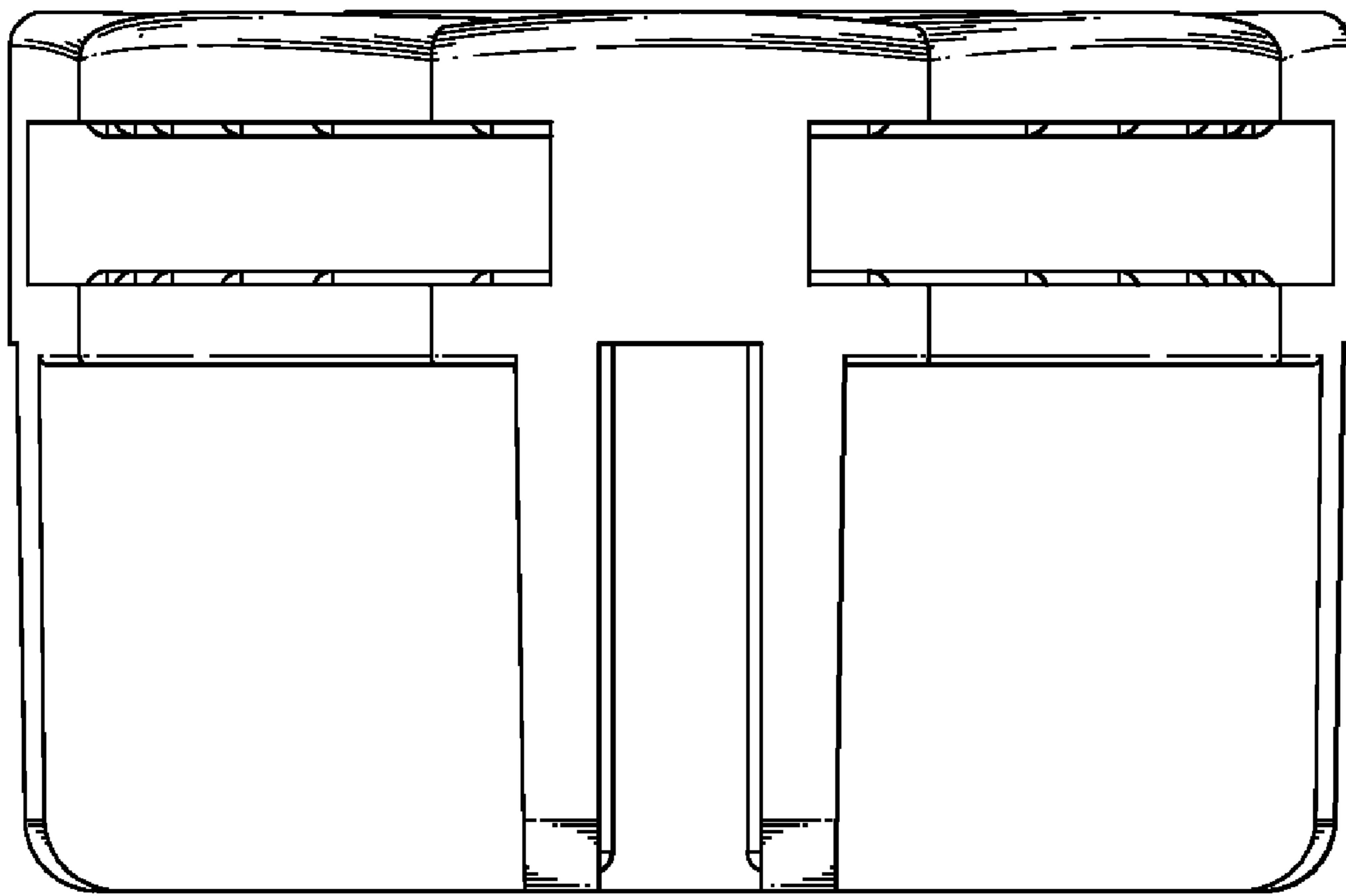


FIG. 3

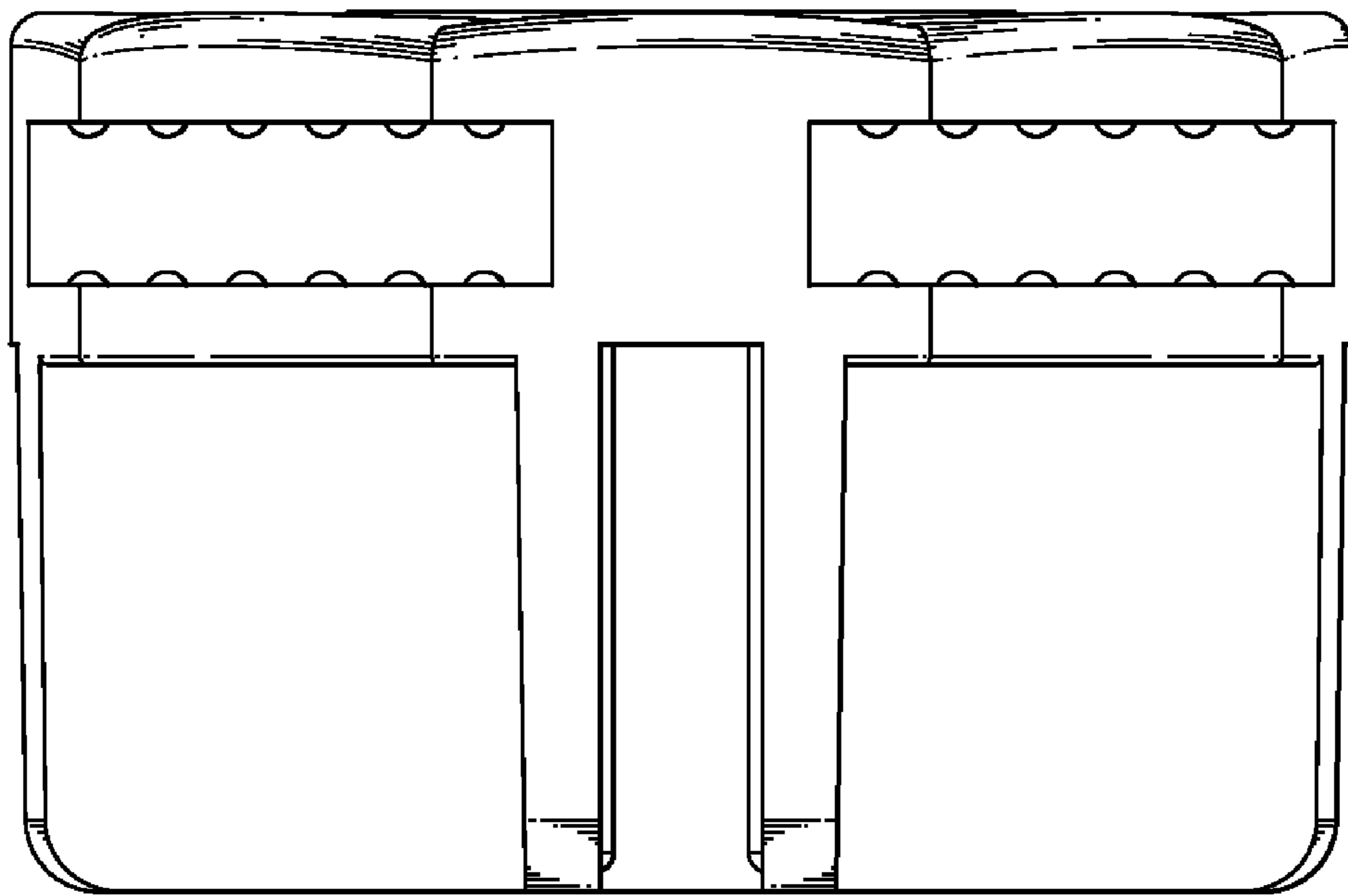


FIG. 4

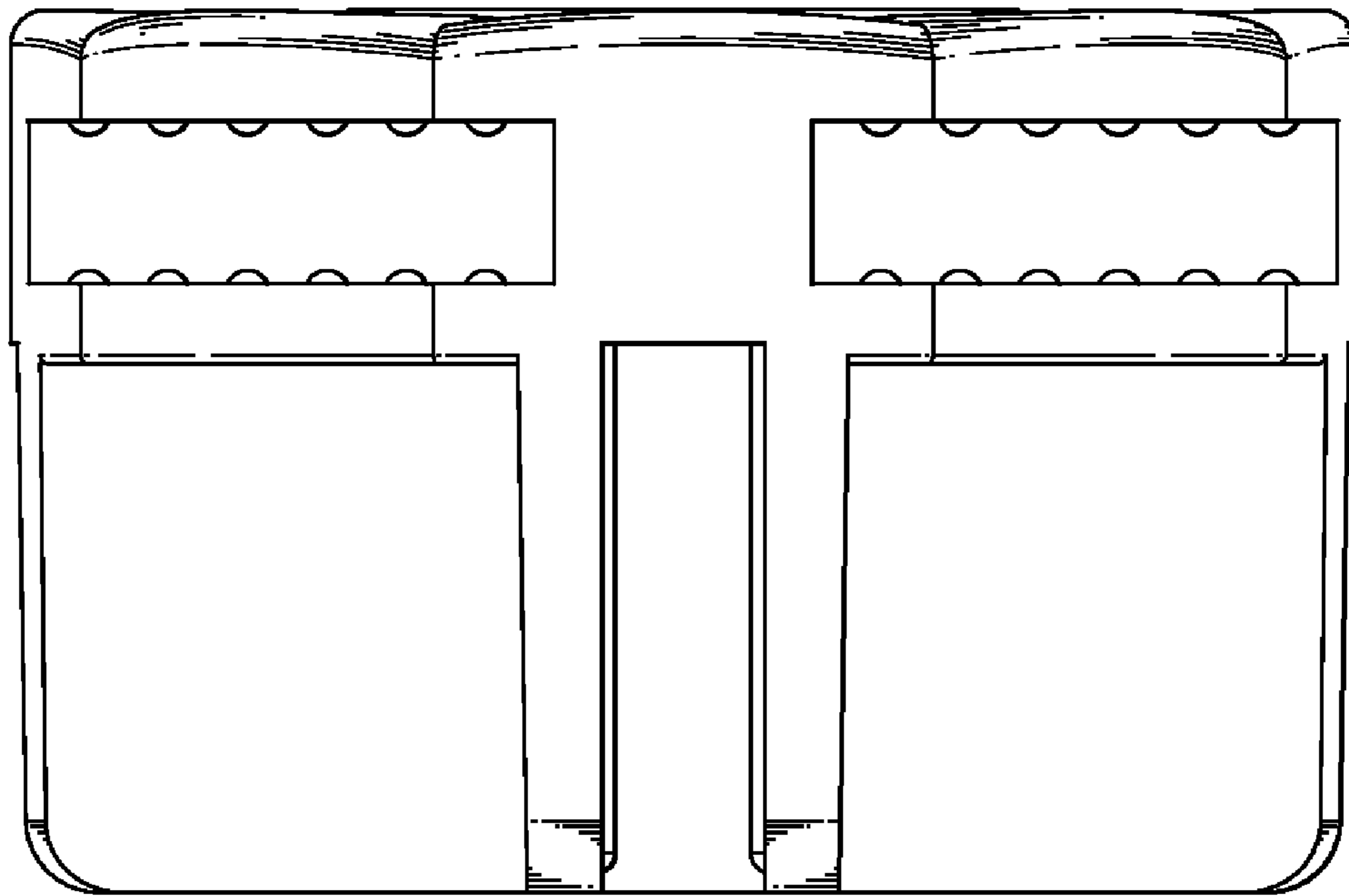


FIG. 5

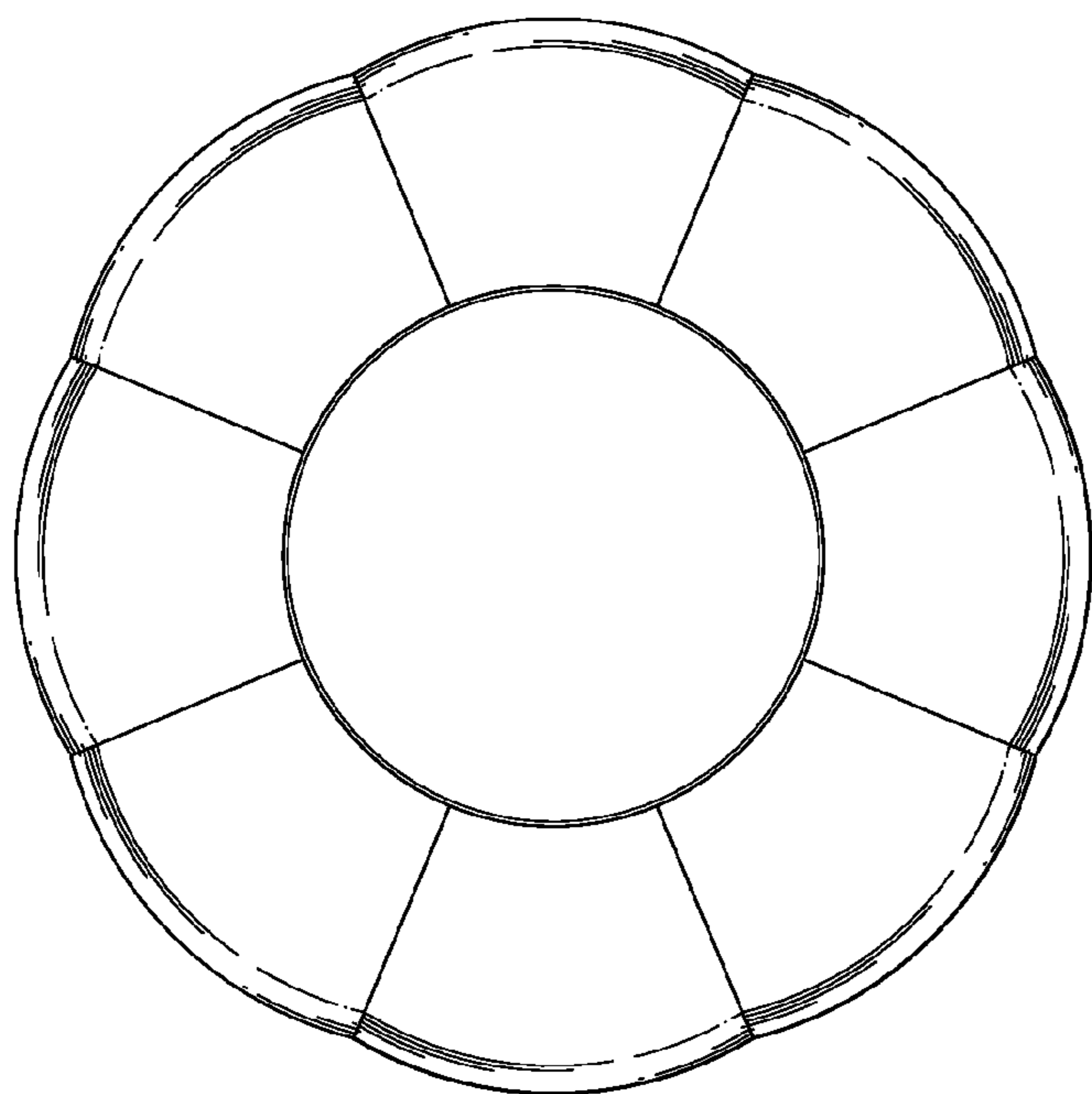


FIG. 6

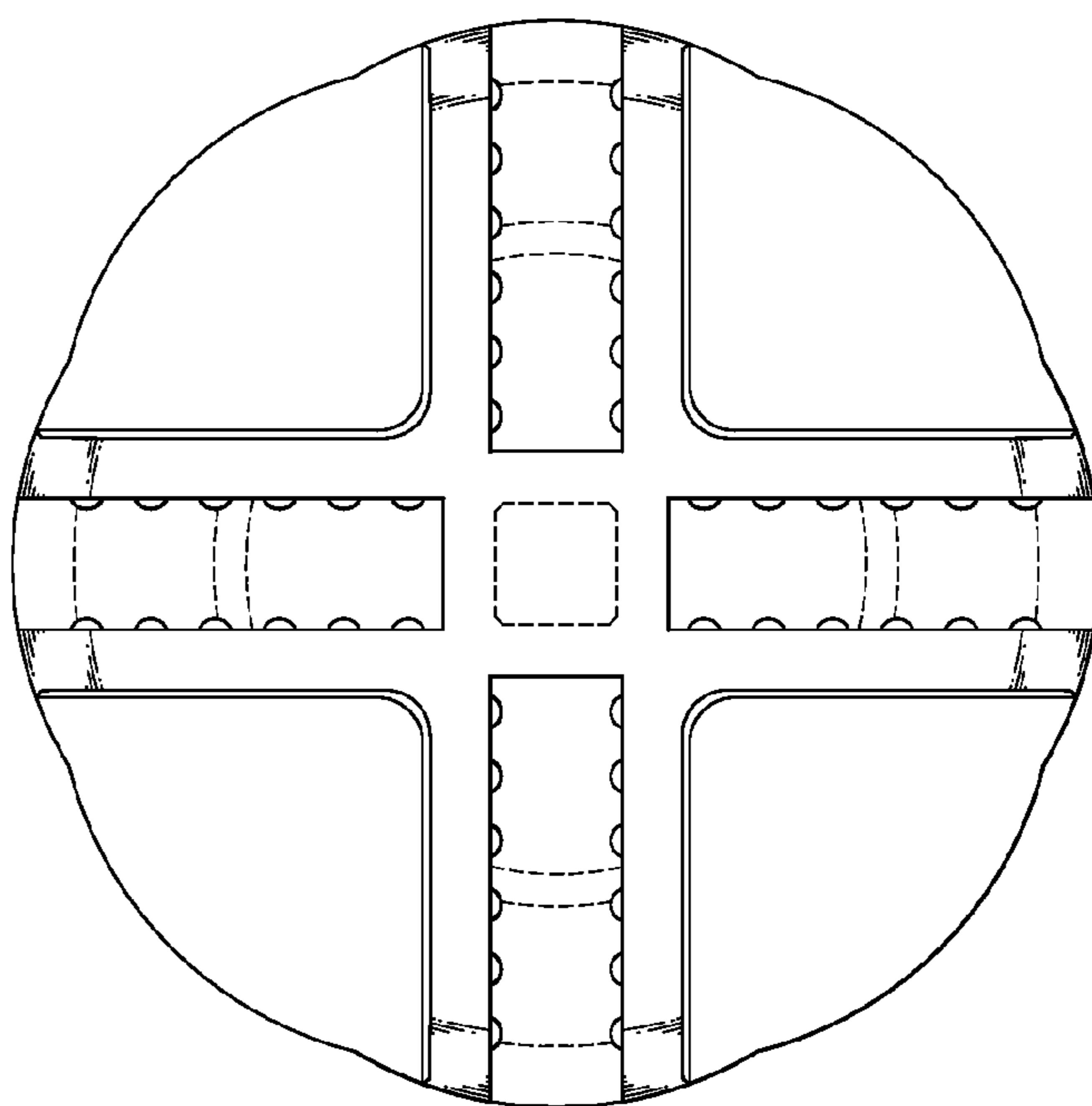


FIG. 7