



US00D630453S

(12) **United States Design Patent**
Rafieha

(10) **Patent No.:** **US D630,453 S**
(45) **Date of Patent:** **** Jan. 11, 2011**

(54) **FURNITURE CONSOLE**

(76) Inventor: **Yavar Rafieha**, 552 Constitution Ave.,
Camarillo, CA (US) 90312

(**) Term: **14 Years**

(21) Appl. No.: **29/370,209**

(22) Filed: **Jun. 15, 2010**

(51) **LOC (9) Cl.** **06-01**

(52) **U.S. Cl.** **D6/436**

(58) **Field of Classification Search** D6/432,
D6/436, 437, 438, 439, 445, 446, 448, 470,
D6/477, 478, 479; 312/7.2, 9.1, 109, 114,
312/117, 138.1, 204, 237, 257.1, 278, 279
See application file for complete search history.

(56) **References Cited**

U.S. PATENT DOCUMENTS

D193,516 S *	9/1962	Deaton	D6/436
D266,295 S	9/1982	Zola		
D357,371 S	4/1995	Keller		
D507,428 S *	7/2005	Weatherly	D6/437
D548,488 S	8/2007	Weatherly		
D554,393 S *	11/2007	Yalif	D6/470
D559,584 S *	1/2008	Zambelli	D6/436

D559,585 S	1/2008	Lara		
D587,484 S	3/2009	Domack et al.		
D594,248 S	6/2009	Zambelli		
D605,874 S	12/2009	Zambelli		
D625,123 S *	10/2010	Zambelli	D6/446

* cited by examiner

Primary Examiner—Mimosa De

(74) *Attorney, Agent, or Firm*—Charles E. Baxley

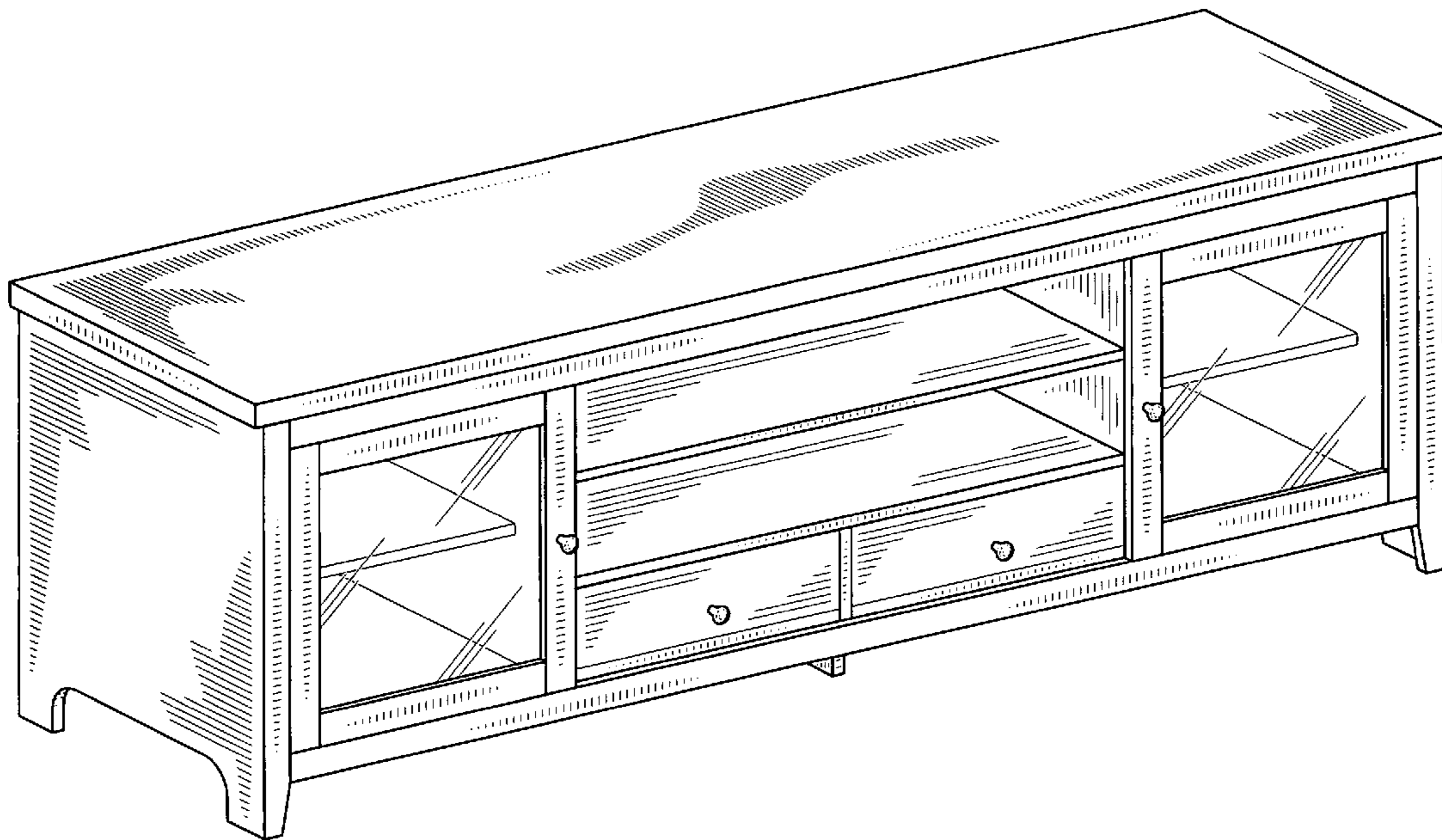
(57) **CLAIM**

I claim the ornamental design of the furniture console, as shown and described.

DESCRIPTION

FIG. 1 is a downward rightward frontward perspective view of a furniture console according to my new design;
FIG. 2 is a front elevational view thereof;
FIG. 3 is a top plan view thereof;
FIG. 4 is a rear elevational view thereof;
FIG. 5 is a bottom plan view thereof;
FIG. 6 is a left elevational view thereof; and,
FIG. 7 is a right elevational view thereof.

1 Claim, 6 Drawing Sheets



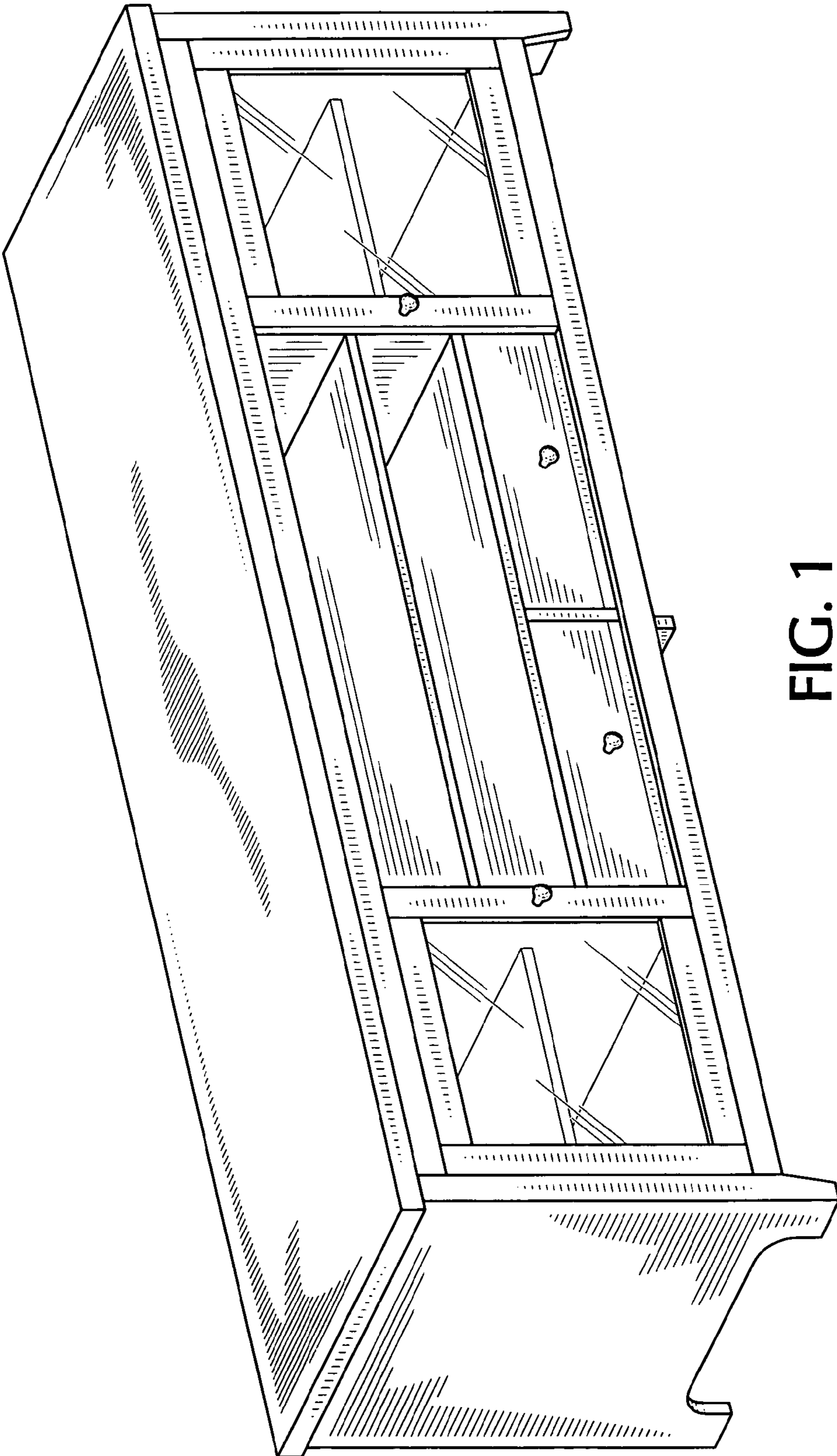


FIG. 1

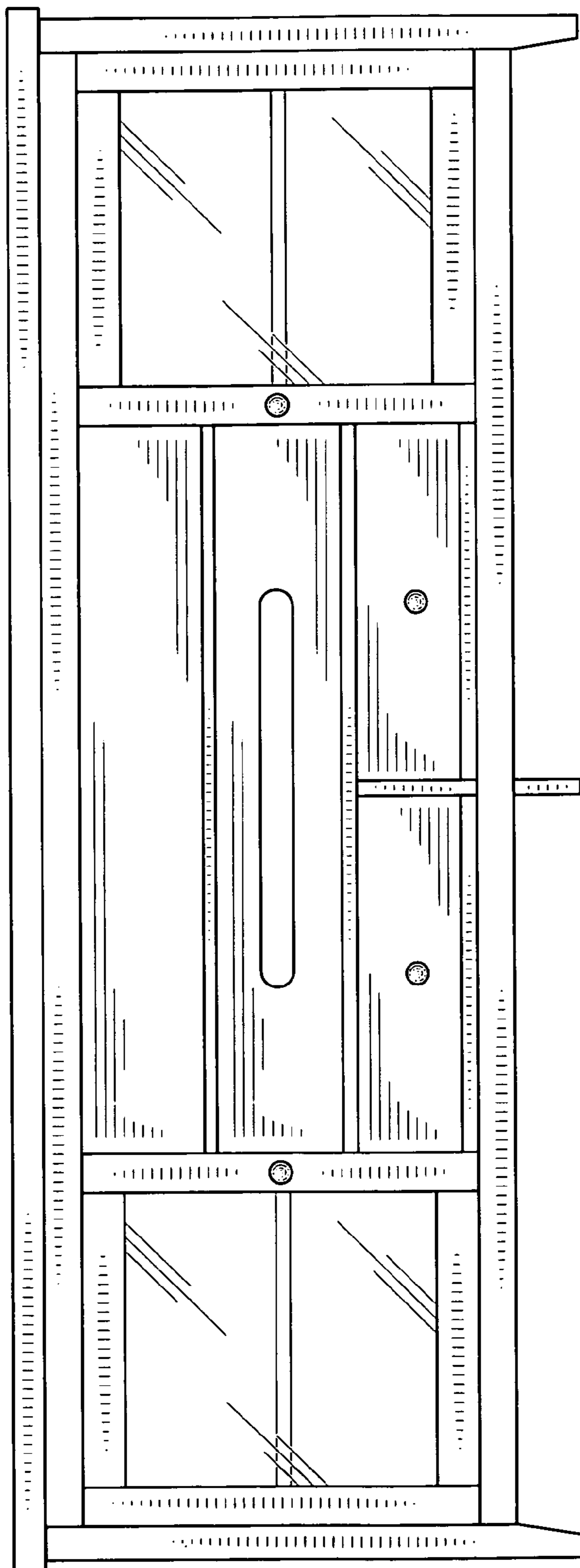


FIG. 2

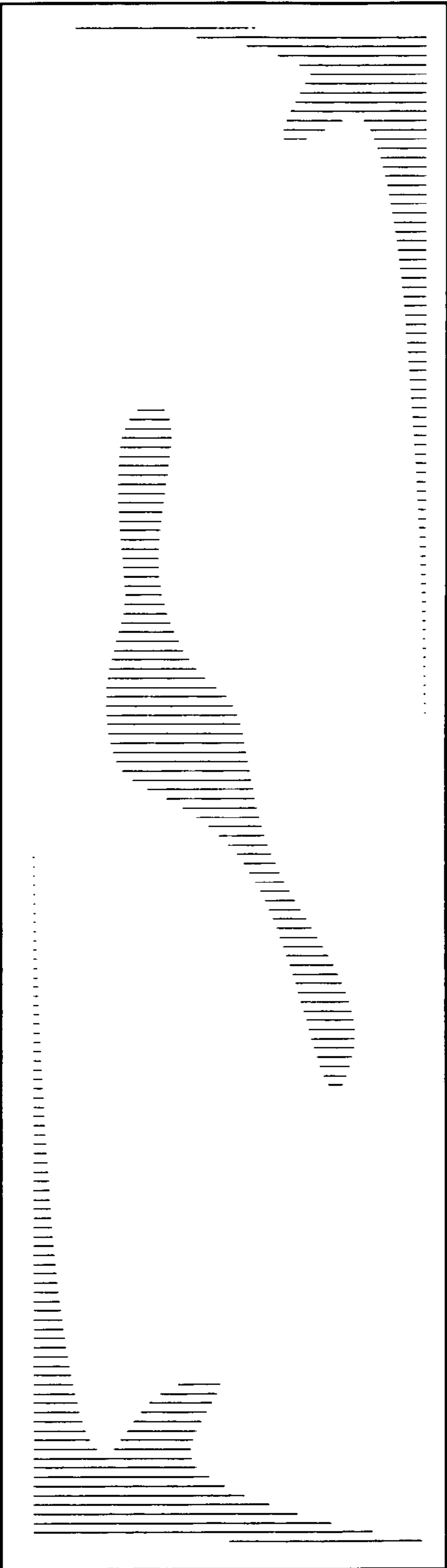


FIG. 3

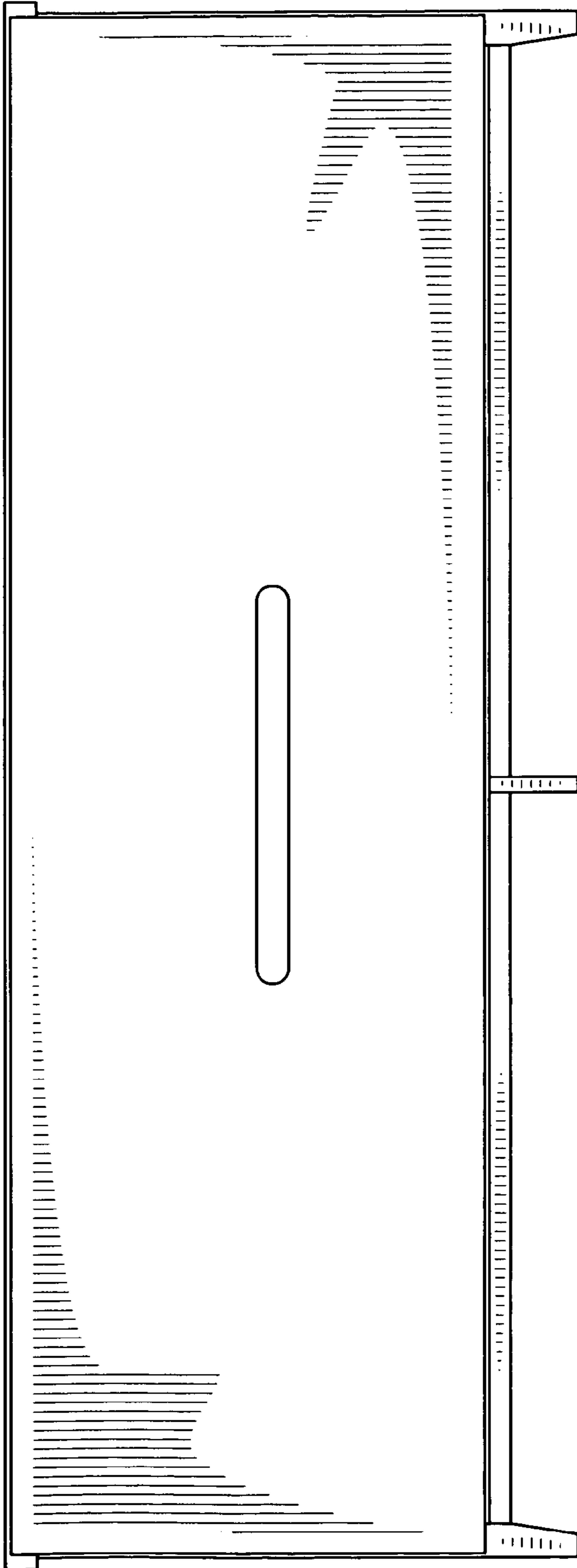


FIG. 4

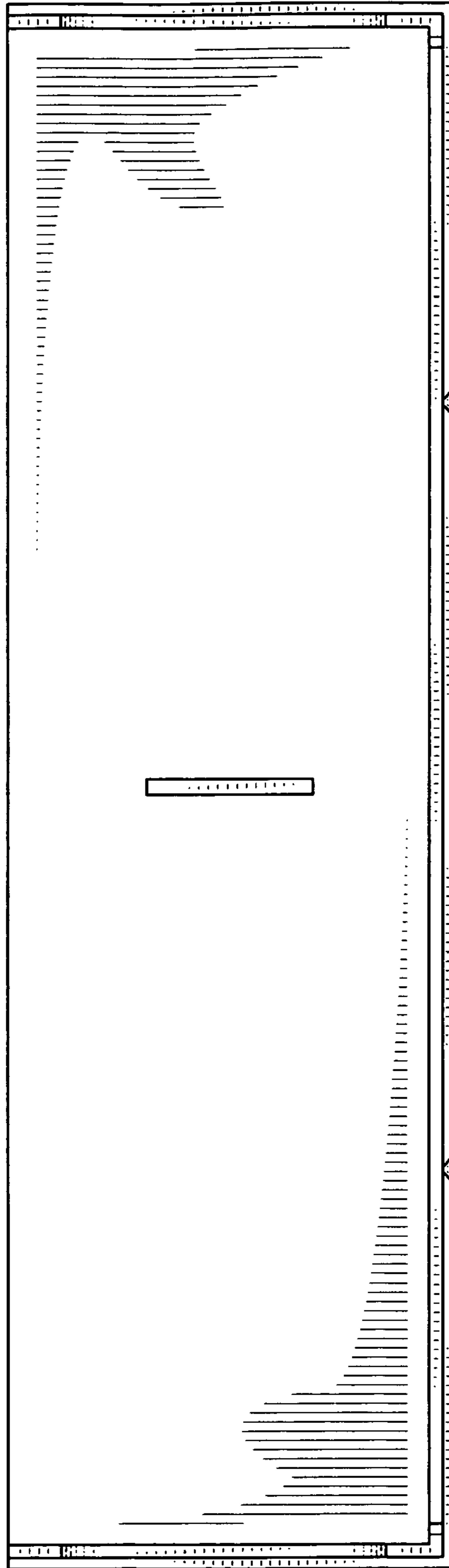


FIG. 5

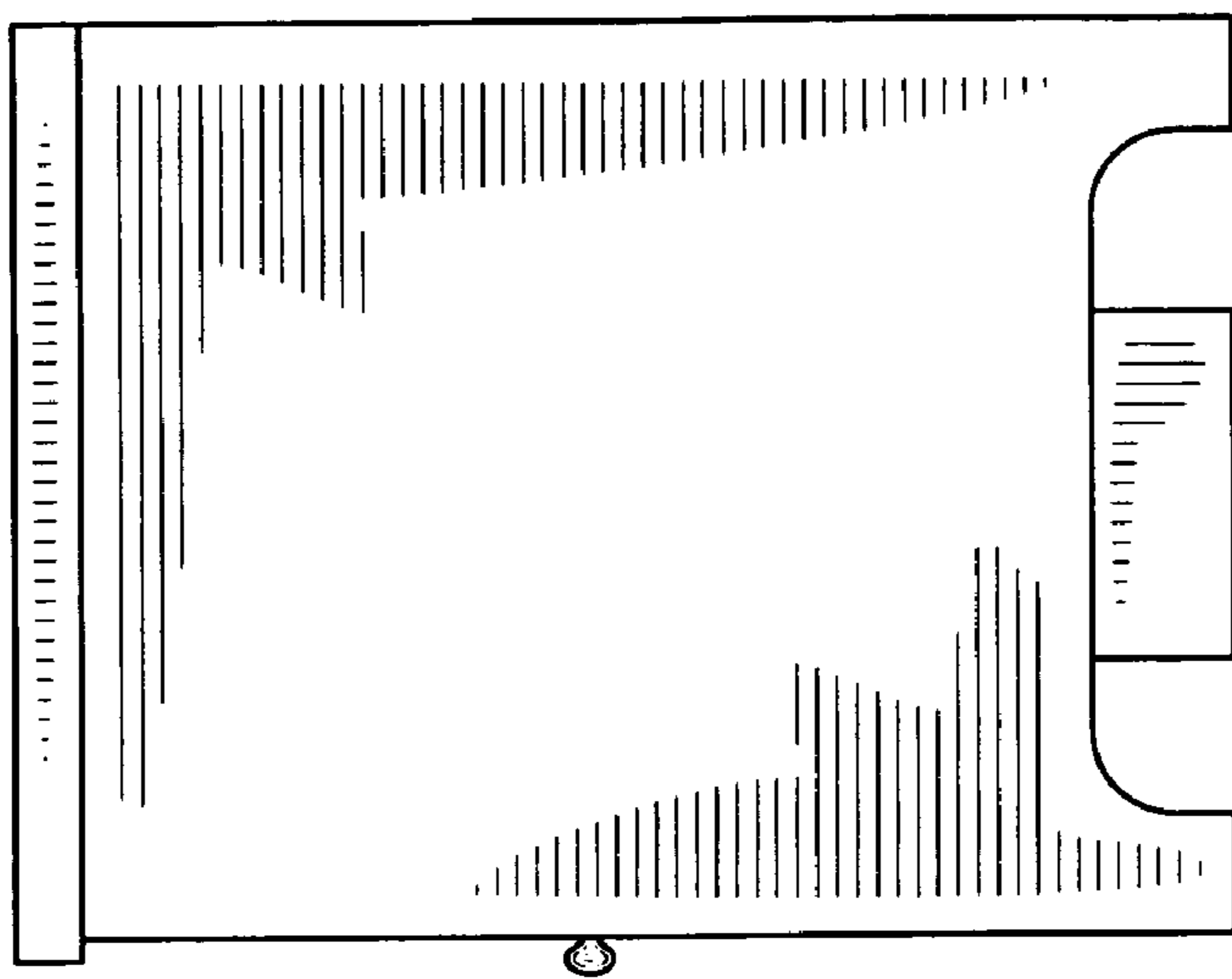


FIG. 6

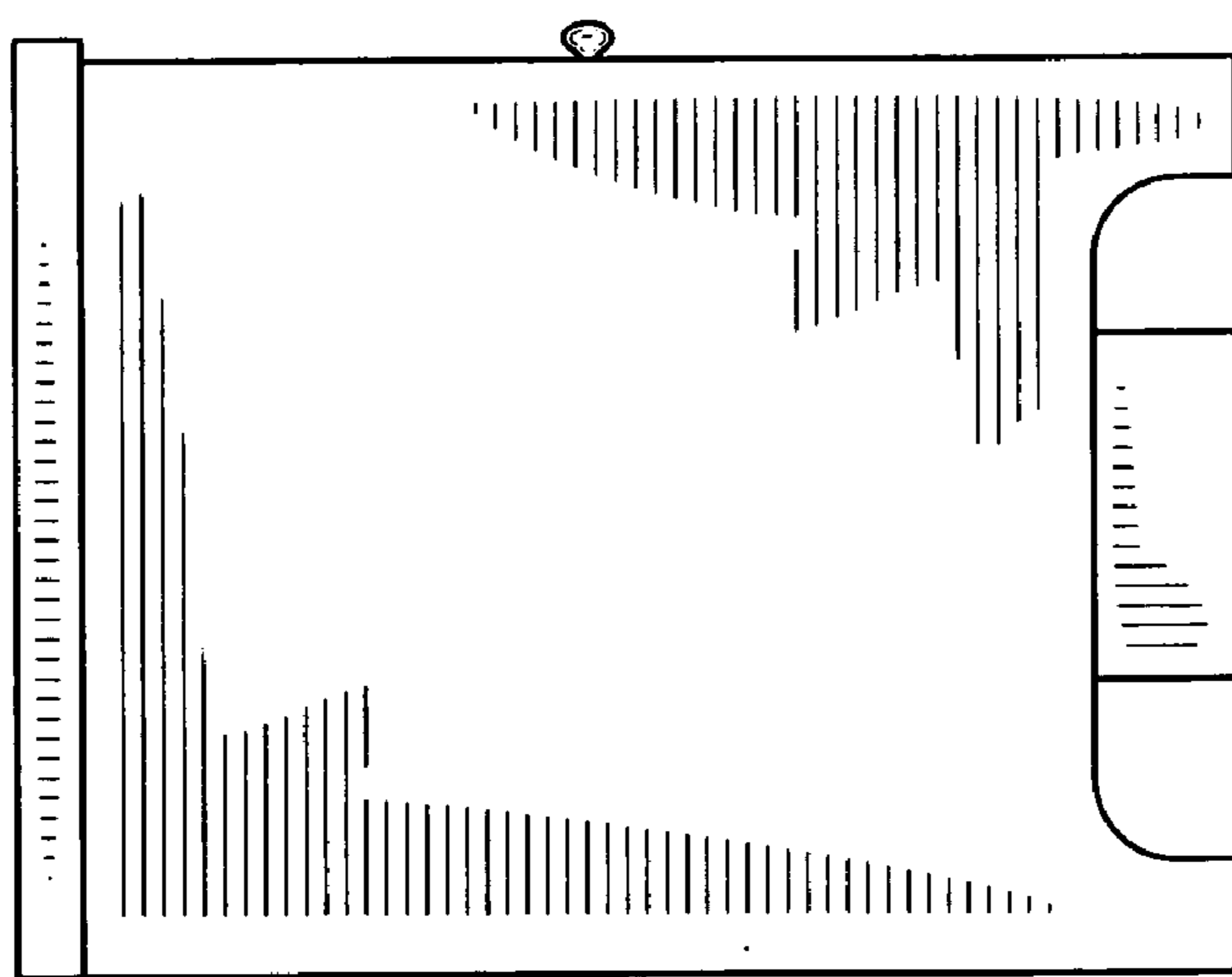


FIG. 7