



US00D630452S

(12) **United States Design Patent**
Robbins et al.

(10) **Patent No.:** **US D630,452 S**
(45) **Date of Patent:** **** Jan. 11, 2011**

(54) **LAPTOP TRAY**

(76) Inventors: **Robert M. Robbins**, 108 Scotts Dr.,
Eden, NC (US) 27288; **Dan Newton**,
272 Vintage Rd., Eden, NC (US) 27288

(**) Term: **14 Years**

(21) Appl. No.: **29/345,196**

(22) Filed: **Oct. 12, 2009**

(51) **LOC (9) Cl.** **06-02**

(52) **U.S. Cl.** **D6/406.3; D14/457**

(58) **Field of Classification Search** D6/406.1-406.6,
D6/421, 422, 429, 426, 440, 451, 489, 510,
D6/511; D7/552.1, 552.2, 554.1, 554.4,
D7/550.1, 554.2, 554.3, 566; 211/126.6,
211/149; 108/43, 115, 157.1, 157.13; 434/432
See application file for complete search history.

(56) **References Cited**

U.S. PATENT DOCUMENTS

4,852,498	A	8/1989	Judd	108/43
D364,290	S *	11/1995	Watts	D6/474
5,588,697	A *	12/1996	Yoshida et al.	297/173
5,655,743	A *	8/1997	Gillis	248/346.01
D392,955	S *	3/1998	Wilson	D14/457
D392,956	S *	3/1998	Gillis	D14/457
5,901,934	A *	5/1999	Wilson	248/346.01
5,971,148	A	10/1999	Jackson	206/320
6,003,446	A *	12/1999	Leibowitz	108/43
D423,482	S *	4/2000	Eddins	D14/458
6,234,085	B1 *	5/2001	Ramundo	108/43
6,273,310	B1	8/2001	Gregory	224/275
6,305,652	B1	10/2001	Borke et al.	248/174
6,353,530	B1	3/2002	Zarek et al.	361/683

6,496,360	B1	12/2002	Cordes et al.	361/683
6,527,243	B1	3/2003	Kume, Jr.	248/448
6,682,038	B2	1/2004	Golynsky	248/346.01
D499,574	S *	12/2004	Spicer	D6/406.3
6,912,119	B2	6/2005	Maloney	361/680
D514,057	S *	1/2006	Borunda et al.	D12/426.1
7,121,214	B1	10/2006	Toltzman et al.	108/43
7,150,236	B1 *	12/2006	Riley	108/43
D596,431	S *	7/2009	Berger	D6/510

* cited by examiner

Primary Examiner—Charles A Rademaker

Assistant Examiner—Charles D Hanson

(74) *Attorney, Agent, or Firm*—MacCord Mason PLLC

(57) **CLAIM**

The ornamental design for a laptop tray, as shown and described.

DESCRIPTION

FIG. 1 is a top perspective view of a laptop tray with the mouse pad assembly shown in an extended condition;

FIG. 2 is a top perspective view thereof;

FIG. 3 is a top plan view of the laptop tray showing our new design, with the mouse pad assembly shown in a closed condition;

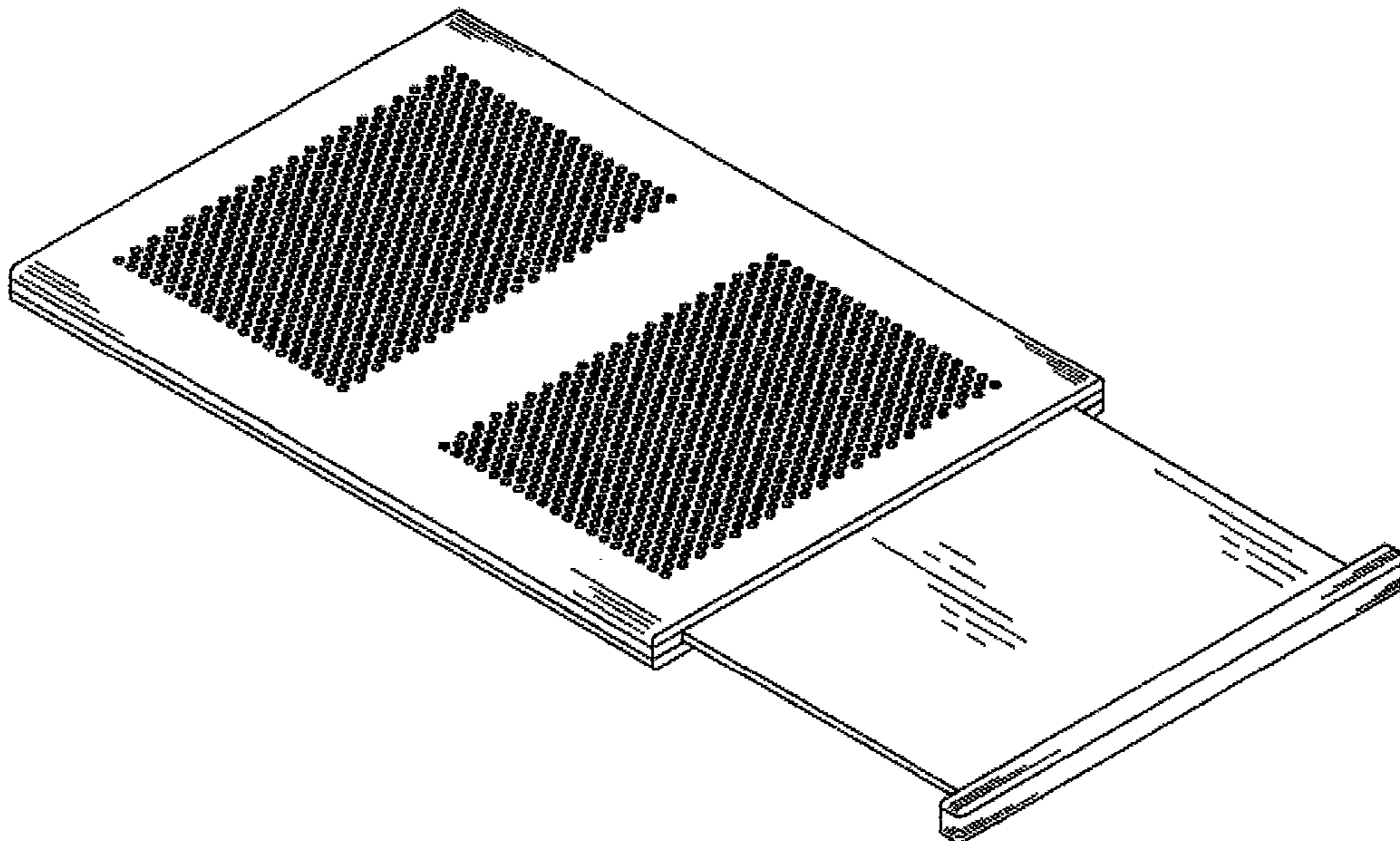
FIG. 4 is a side elevational view thereof, shown from the mouse pad assembly side;

FIG. 5 is an opposite side elevational view thereof; and,

FIG. 6 is a bottom plan view thereof, taken from FIG. 2.

The images shown in dotted lines are for illustrative purposes only and form no part of claimed design.

1 Claim, 5 Drawing Sheets



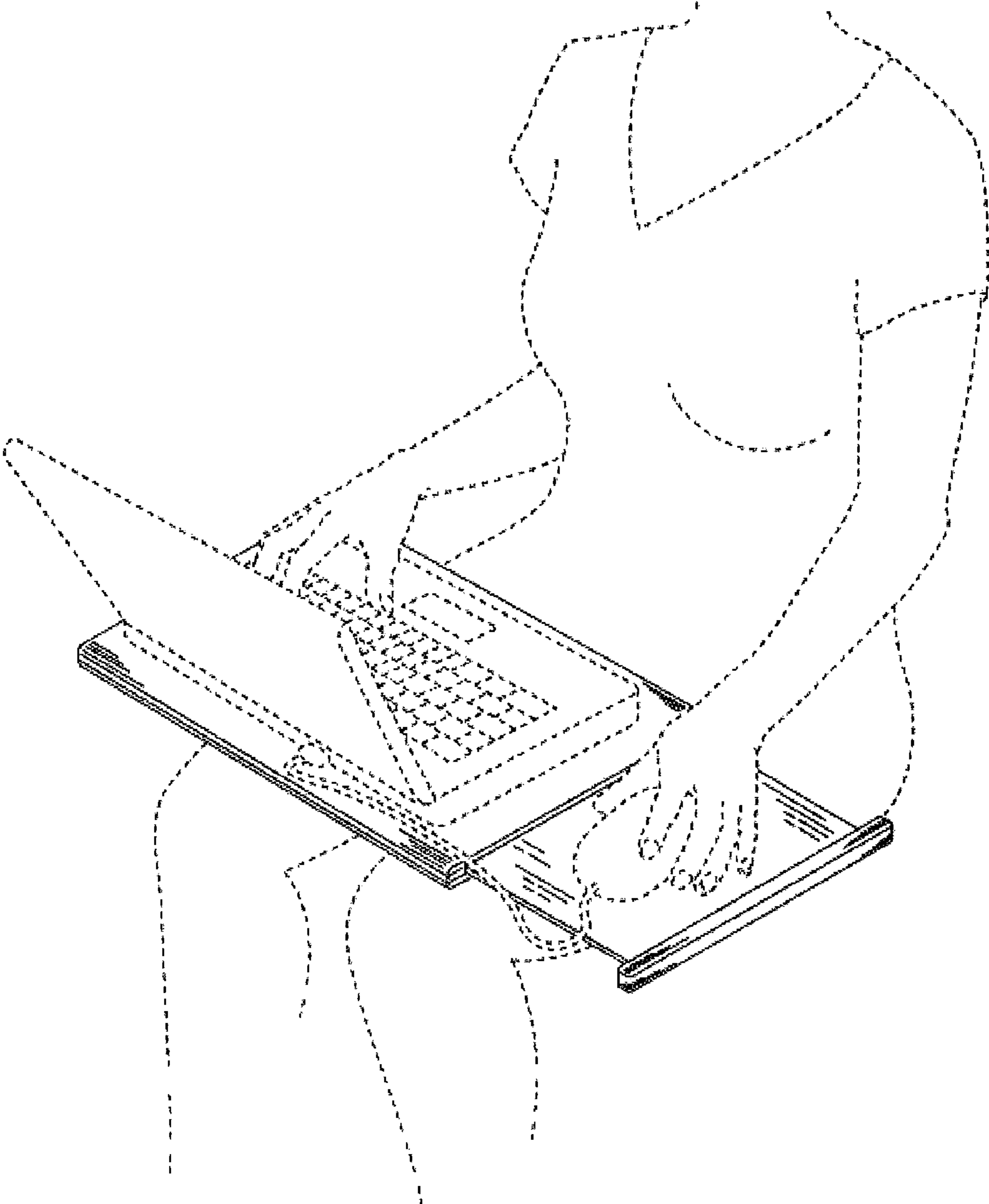


FIG. 1

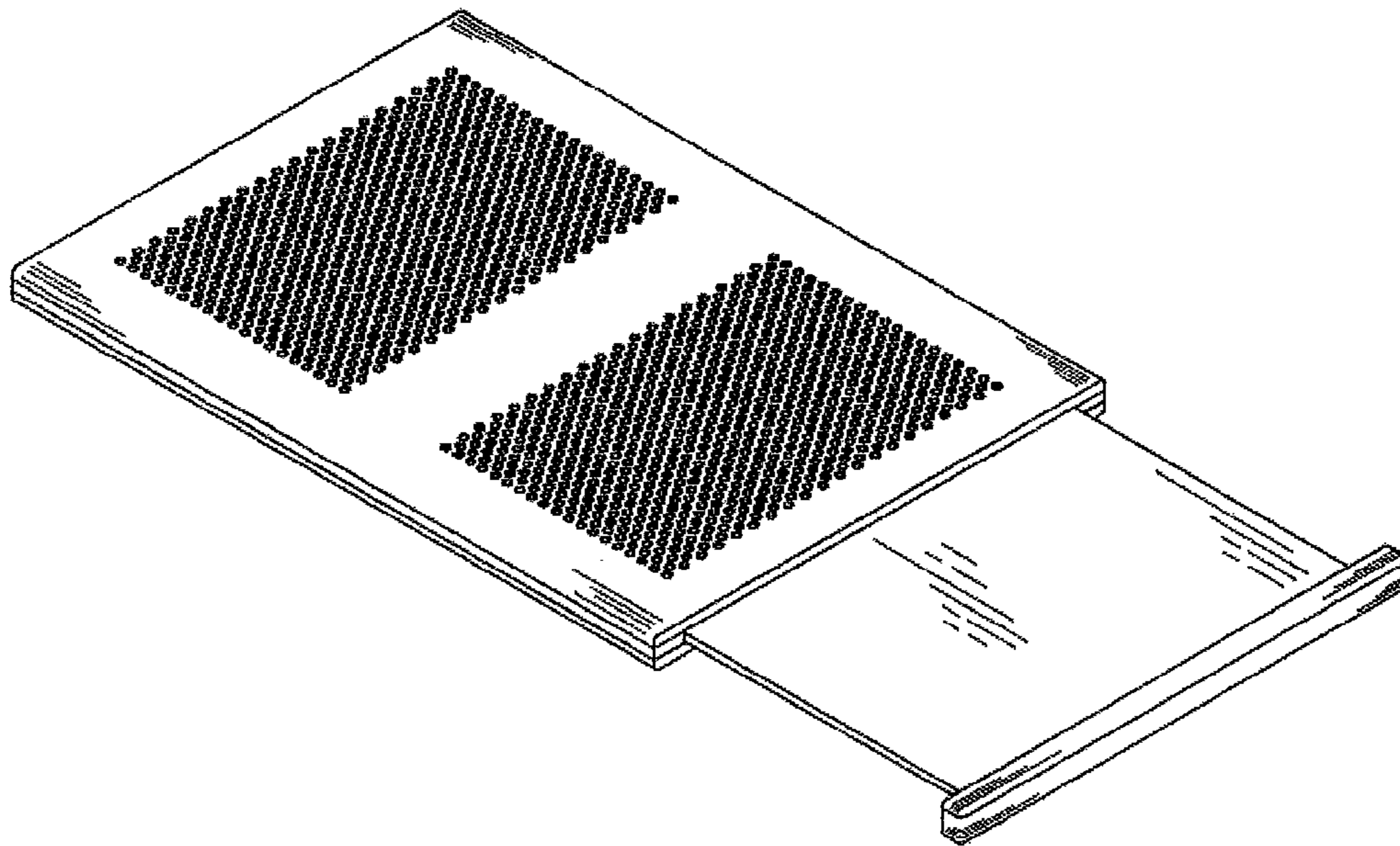


FIG. 2

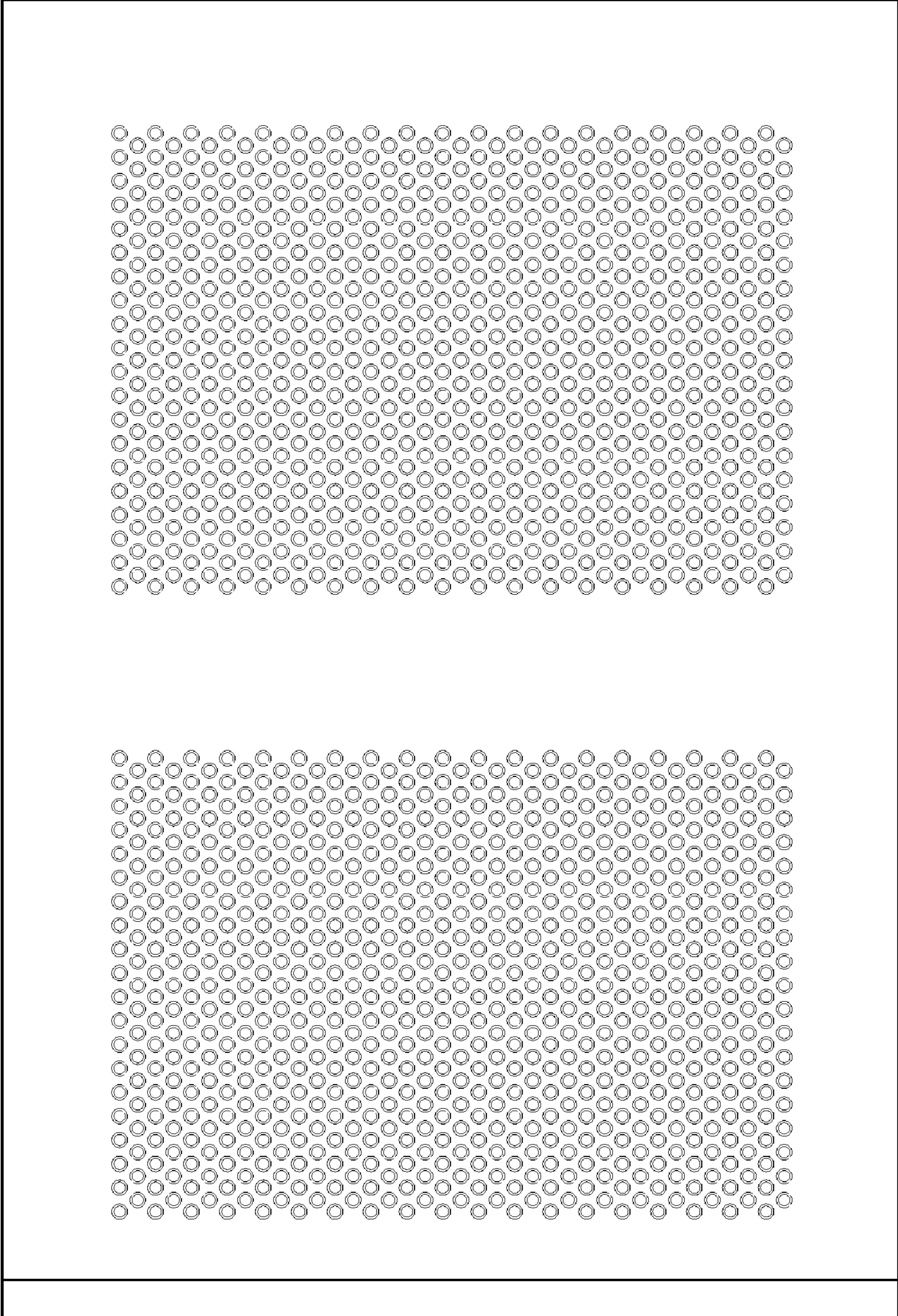


FIG. 3

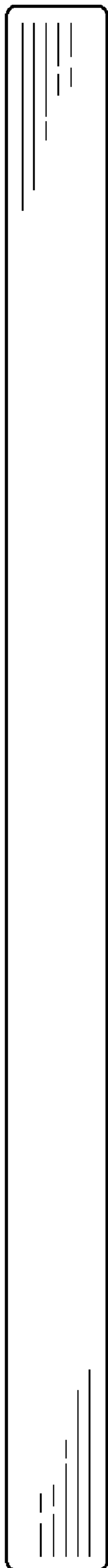


FIG. 4

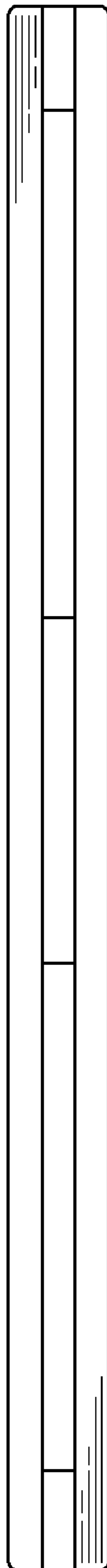


FIG. 5

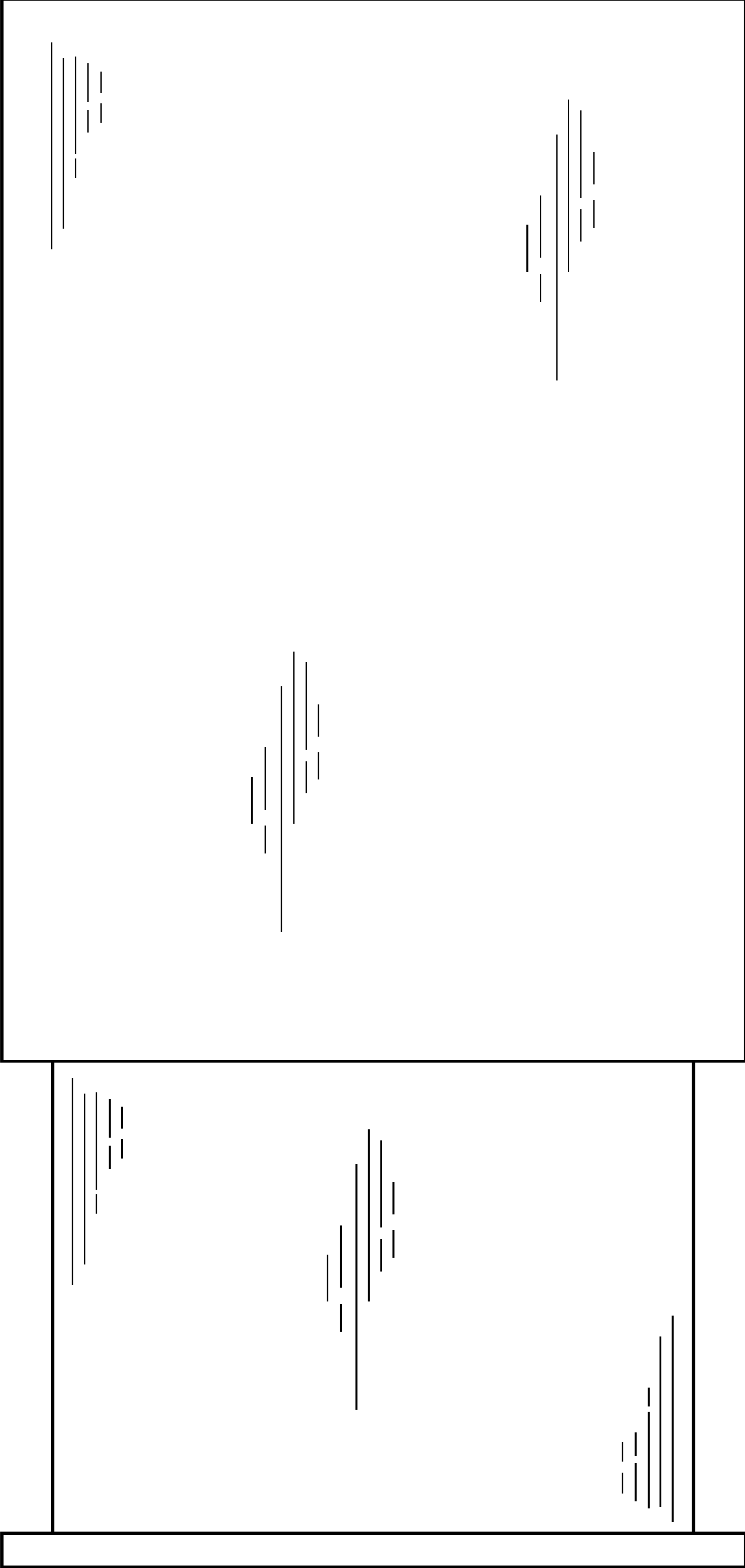


FIG. 6