



US00D630451S

(12) **United States Design Patent**  
**Cute**

(10) **Patent No.:** **US D630,451 S**

(45) **Date of Patent:** **\*\* Jan. 11, 2011**

(54) **STANDING POT STACKER**

(75) Inventor: **Joe Cute**, Geneva, IL (US)

(73) Assignee: **Sun Hill Industries, Inc.**, Fairfield, CT (US)

(\*\*) Term: **14 Years**

(21) Appl. No.: **29/364,140**

(22) Filed: **Jun. 18, 2010**

(51) **LOC (9) Cl.** ..... **11-02**

(52) **U.S. Cl.** ..... **D6/405**

(58) **Field of Classification Search** ..... D6/403-405,  
D6/556-558; D8/1; D11/143-156, 164;  
D19/77, 80, 81, 84; D25/100; D26/9-11,  
D26/16, 19; D34/1, 2, 4-6; D99/5, 19; 47/17,  
47/32.4, 32.5, 32.7, 33, 39, 41.01, 41.1, 41.11-41.15,  
47/44-47, 65, 65.5, 65.9, 66.1, 66.2, 66.6,  
47/66.7, 67-71

See application file for complete search history.

(56) **References Cited**

**U.S. PATENT DOCUMENTS**

D74,355 S *	2/1928	Cantor	.....	D6/403
D154,231 S *	6/1949	Banker	.....	D26/9
D195,568 S *	7/1963	Gleitsman	.....	D6/412
D198,802 S *	8/1964	Cucullo	.....	D6/403
D204,006 S *	3/1966	Reed	.....	D6/403
D242,318 S *	11/1976	Gomberoff et al.	.....	D6/403
D242,753 S *	12/1976	Christen, Jr.	.....	D6/403

D274,202 S *	6/1984	Karapita	.....	D6/405
D283,091 S *	3/1986	Meyer	.....	D6/403
D327,182 S *	6/1992	Ma	.....	D6/403
5,309,671 A	5/1994	Byun		
D364,238 S *	11/1995	Hung	.....	D26/9
6,381,902 B1	5/2002	Batshon		
D480,229 S *	10/2003	Humphrey	.....	D6/403
D484,715 S *	1/2004	Missry	.....	D6/403
6,895,713 B2	5/2005	Warren		
6,983,561 B2	1/2006	Warren		

\* cited by examiner

*Primary Examiner*—Garth Rademaker

(74) *Attorney, Agent, or Firm*—Thorp Reed & Armstrong LLP; Paul D. Bangor, Jr.; Stephen H. Montgomery

(57) **CLAIM**

The ornamental design for a standing pot stacker, as shown and described.

**DESCRIPTION**

FIG. 1 is a perspective view of a standing pot stacker showing my new design;

FIG. 2 is a front elevational view thereof;

FIG. 3 is a rear elevational view thereof;

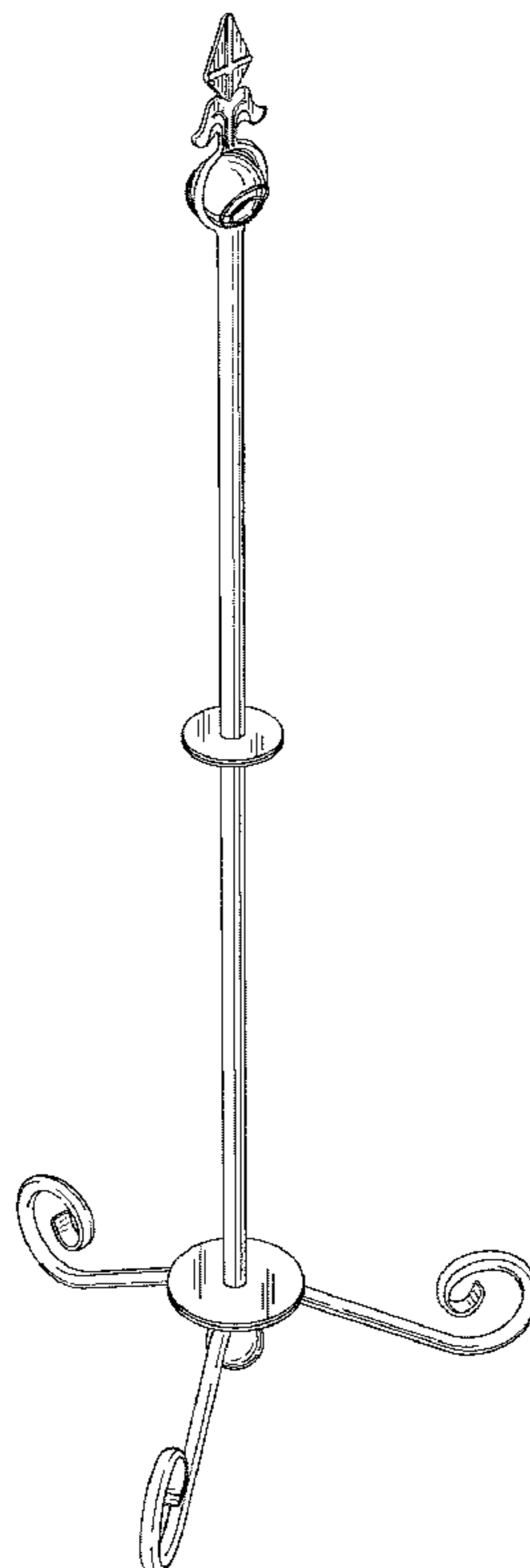
FIG. 4 is a left elevational view thereof;

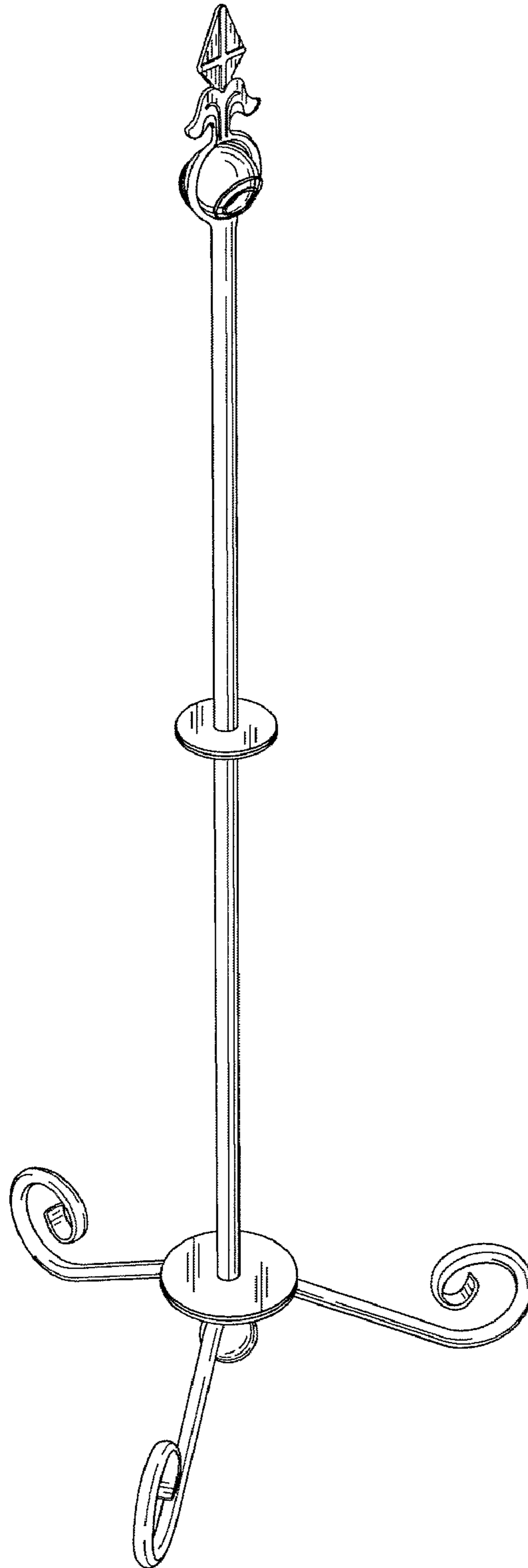
FIG. 5 is a right elevational view thereof;

FIG. 6 is a top plan view thereof; and,

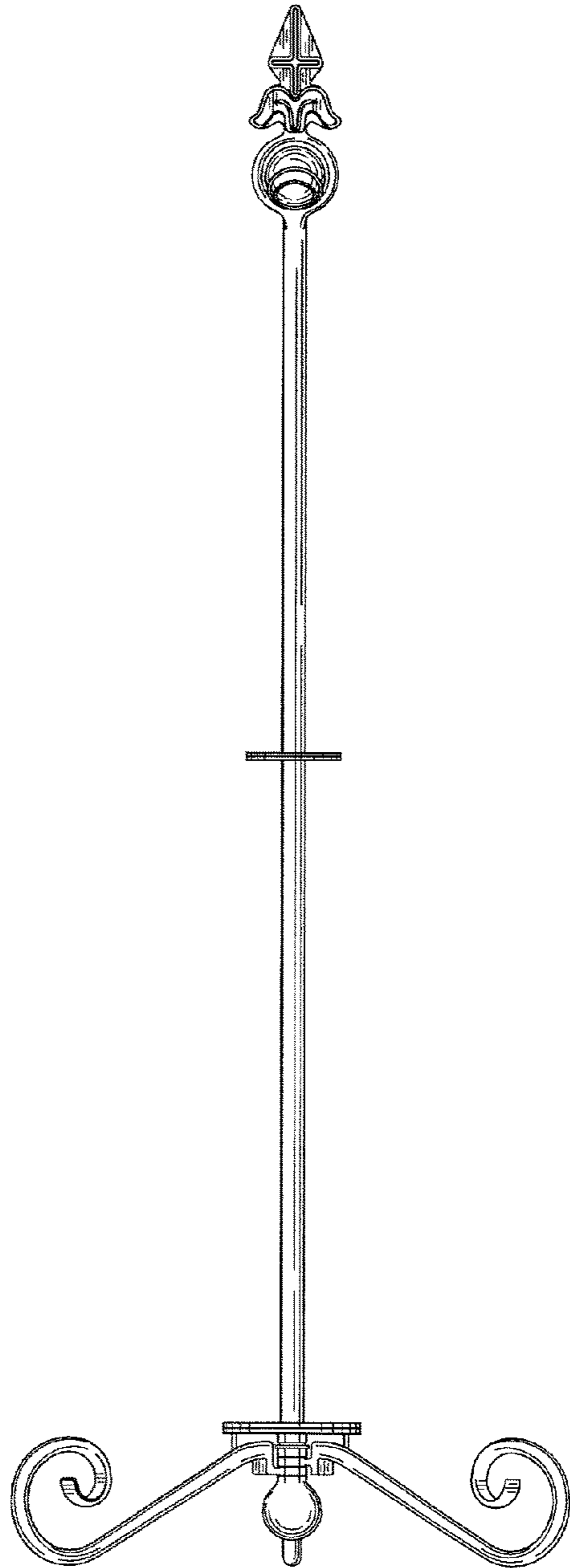
FIG. 7 is a bottom plan view thereof.

**1 Claim, 4 Drawing Sheets**

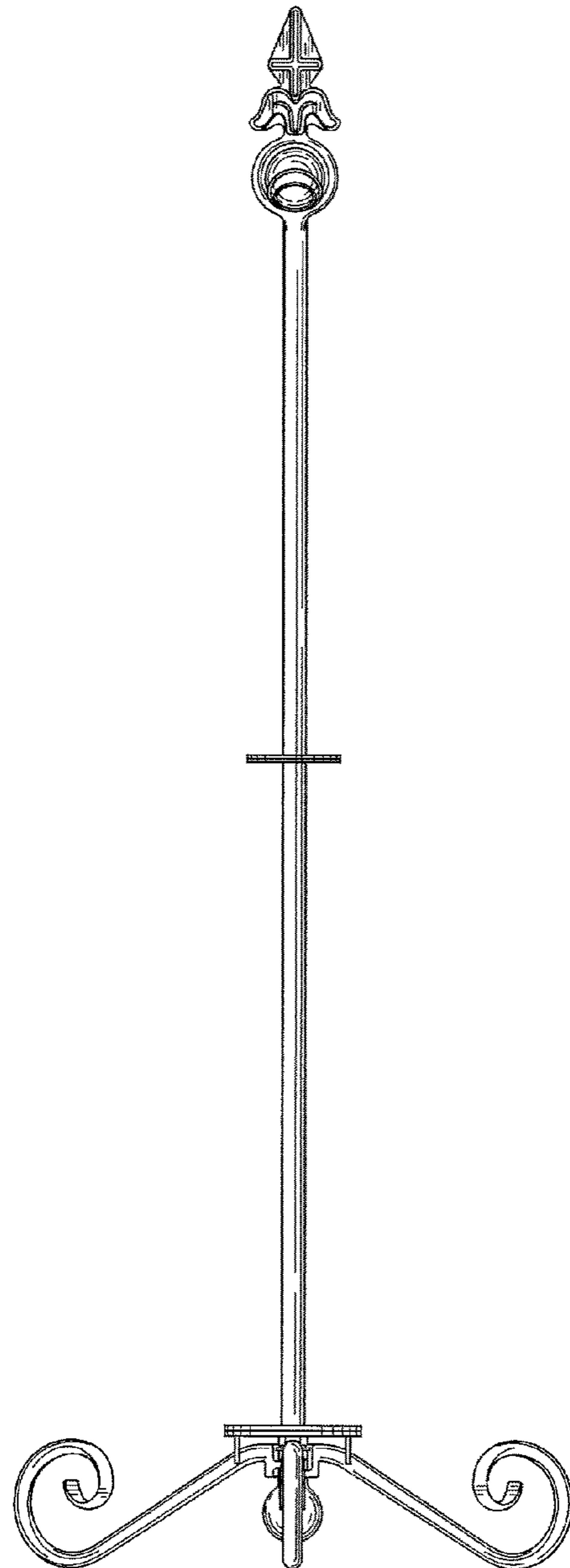




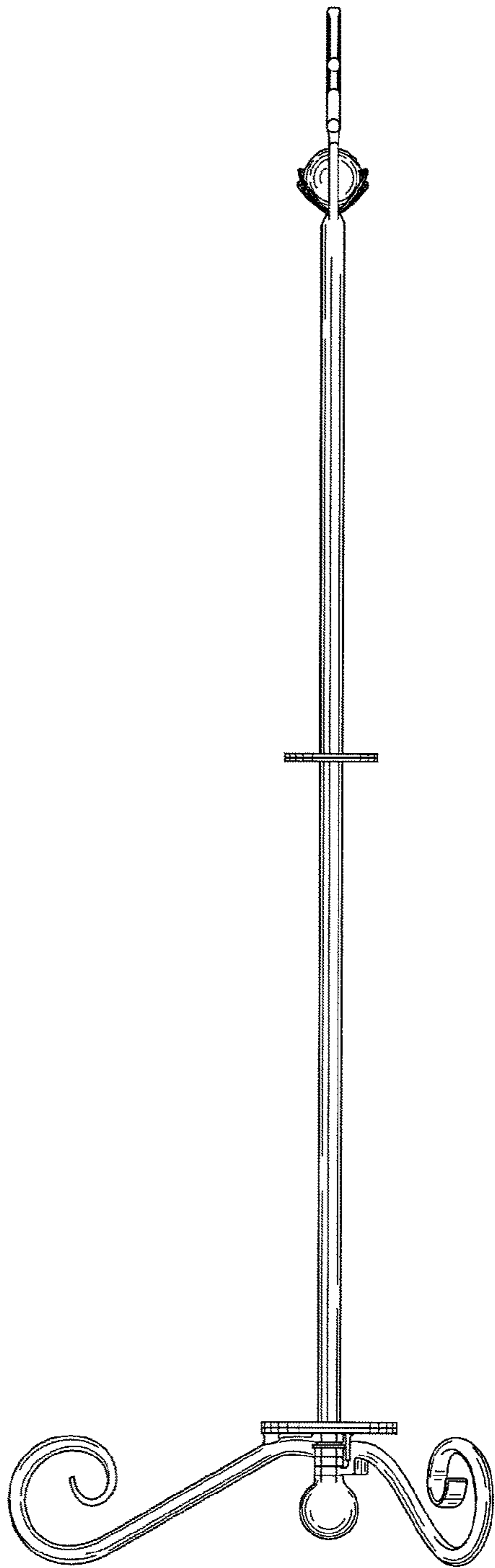
*Fig. 1*



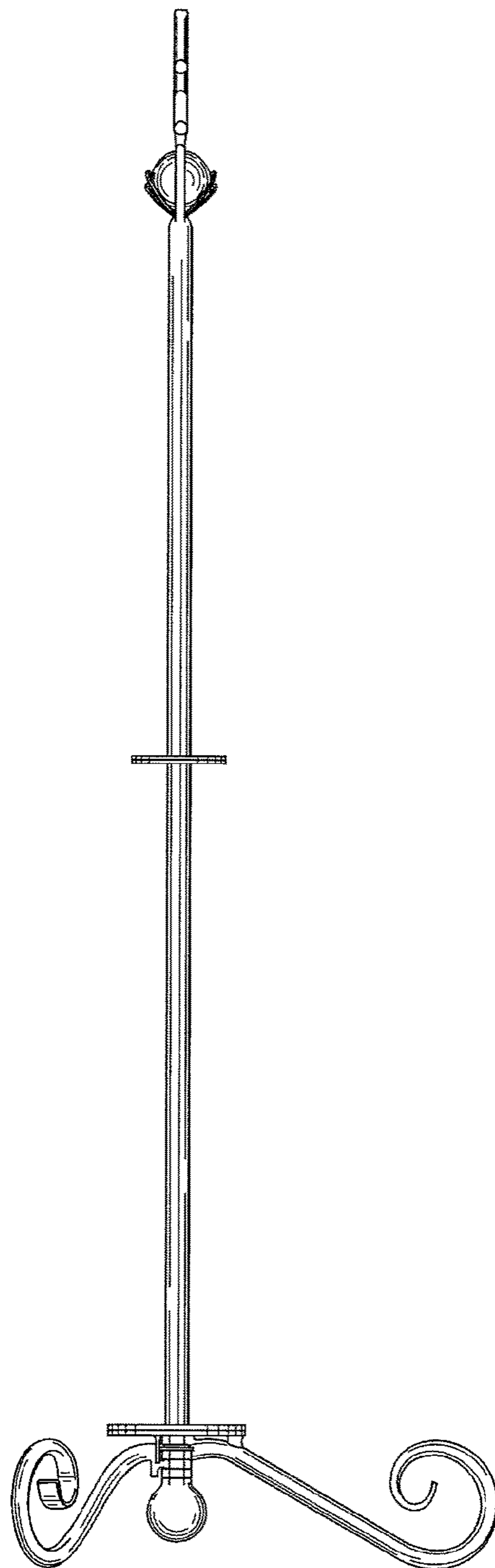
*Fig. 2*



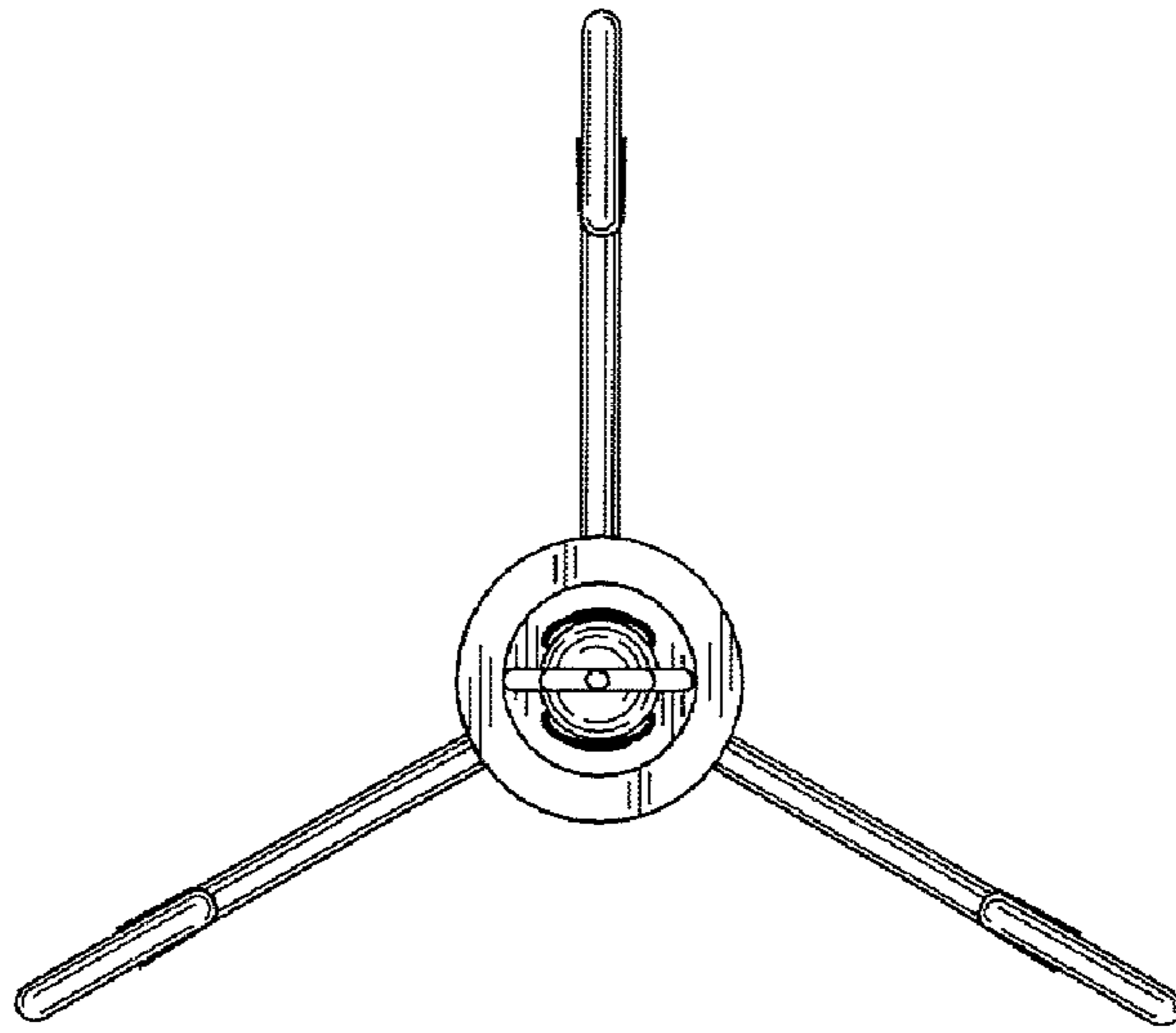
*Fig. 3*



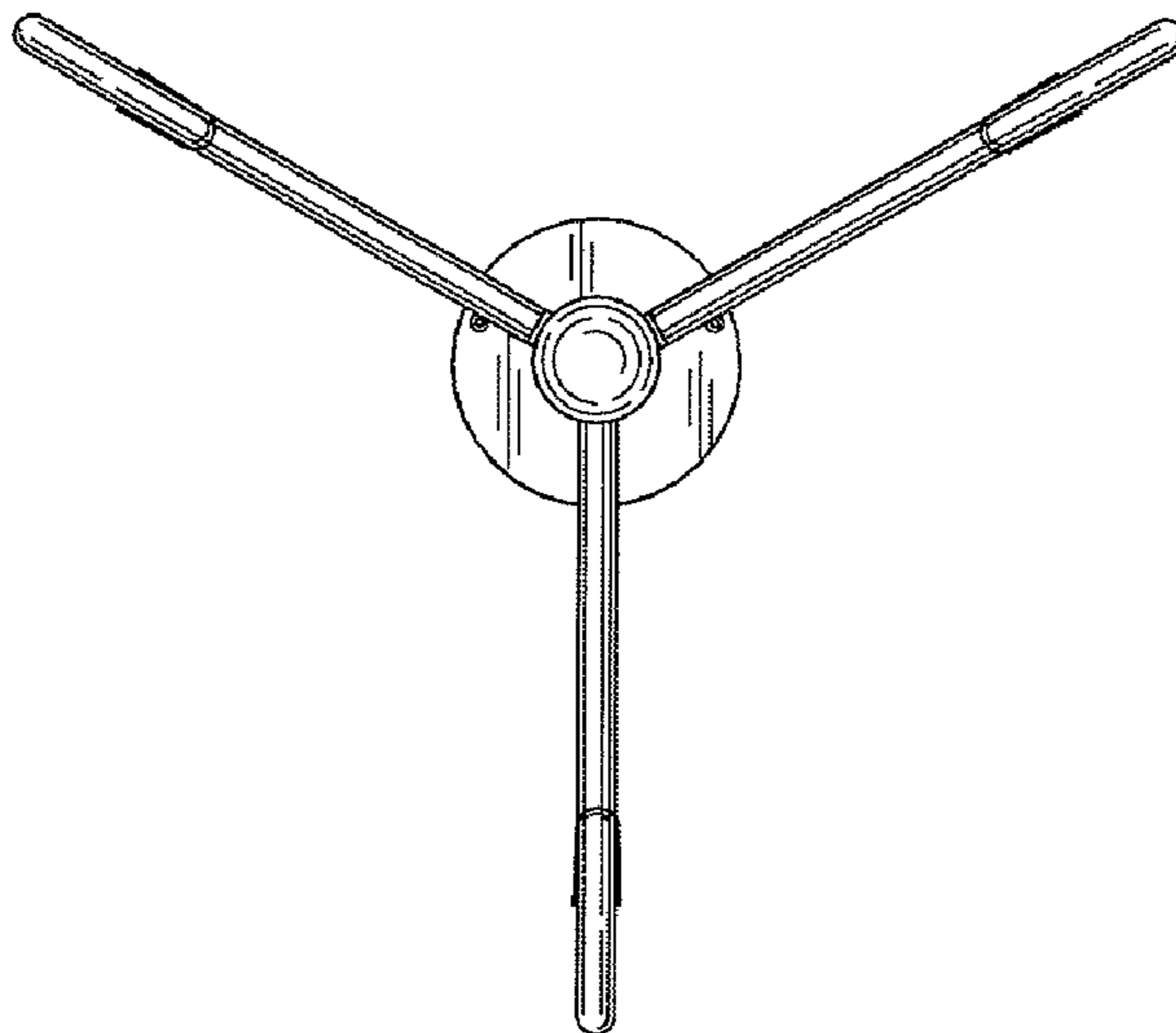
*Fig. 4*



*Fig. 5*



*Fig.6*



*Fig.7*