



US00D630450S

(12) **United States Design Patent**
Wold

(10) **Patent No.:** **US D630,450 S**

(45) **Date of Patent:** **** Jan. 11, 2011**

(54) **SOFA**

(75) Inventor: **Rikke Wold**, Ikornnes (NO)

(73) Assignee: **Ekornes ASA**, Ikornnes (NO)

(**) Term: **14 Years**

(21) Appl. No.: **29/357,408**

(22) Filed: **Mar. 11, 2010**

(30) **Foreign Application Priority Data**

Sep. 15, 2009 (NO) 20090462

(51) **LOC (9) Cl.** **06-01**

(52) **U.S. Cl.** **D6/381**

(58) **Field of Classification Search** D6/334,
D6/349, 355, 359, 369, 370, 371, 381-383,
D6/491, 492, 500-503, 374; 297/94, 181,
297/233, 234, 235, 283.2, 311, 351, 353,
297/354.1, 354.12, 354.13, 445.1, 451.1,
297/451.8, 451.9; 5/12.1, 12.2

See application file for complete search history.

(56) **References Cited**

U.S. PATENT DOCUMENTS

D209,743 S * 1/1968 Mulhauser, Jr. D6/366
D224,766 S * 9/1972 Rowland D6/371
3,700,282 A * 10/1972 Rowland 297/440.23
D261,702 S * 11/1981 Whalen D6/334
D265,699 S * 8/1982 Lundgren D6/334
4,343,509 A * 8/1982 Lundgren 297/232
D278,581 S * 4/1985 Melchior D6/373
D335,588 S * 5/1993 Beirise D6/381

D336,376 S * 6/1993 Hollington D6/334
D367,566 S * 3/1996 Walters et al. D6/381
D401,078 S * 11/1998 Relling D6/381
D492,499 S * 7/2004 Relling et al. D6/381
D499,270 S * 12/2004 Relling et al. D6/381
D539,044 S * 3/2007 Solheim D6/334
D558,468 S * 1/2008 Lade D6/334
D558,469 S * 1/2008 Lade D6/334
D601,359 S * 10/2009 Wold D6/365
D601,828 S * 10/2009 Wold D6/500
D606,325 S * 12/2009 Gharabegian D6/334

* cited by examiner

Primary Examiner—Sandra Snapp

(74) *Attorney, Agent, or Firm*—Schneck & Schneck

(57) **CLAIM**

I claim the ornamental design for a sofa, as shown.

DESCRIPTION

FIG. 1 is a front perspective view of a sofa of my design;

FIG. 2 is a rear perspective view thereof;

FIG. 3 is a top view thereof;

FIG. 4 is a bottom view thereof;

FIG. 5 is a front elevation view thereof;

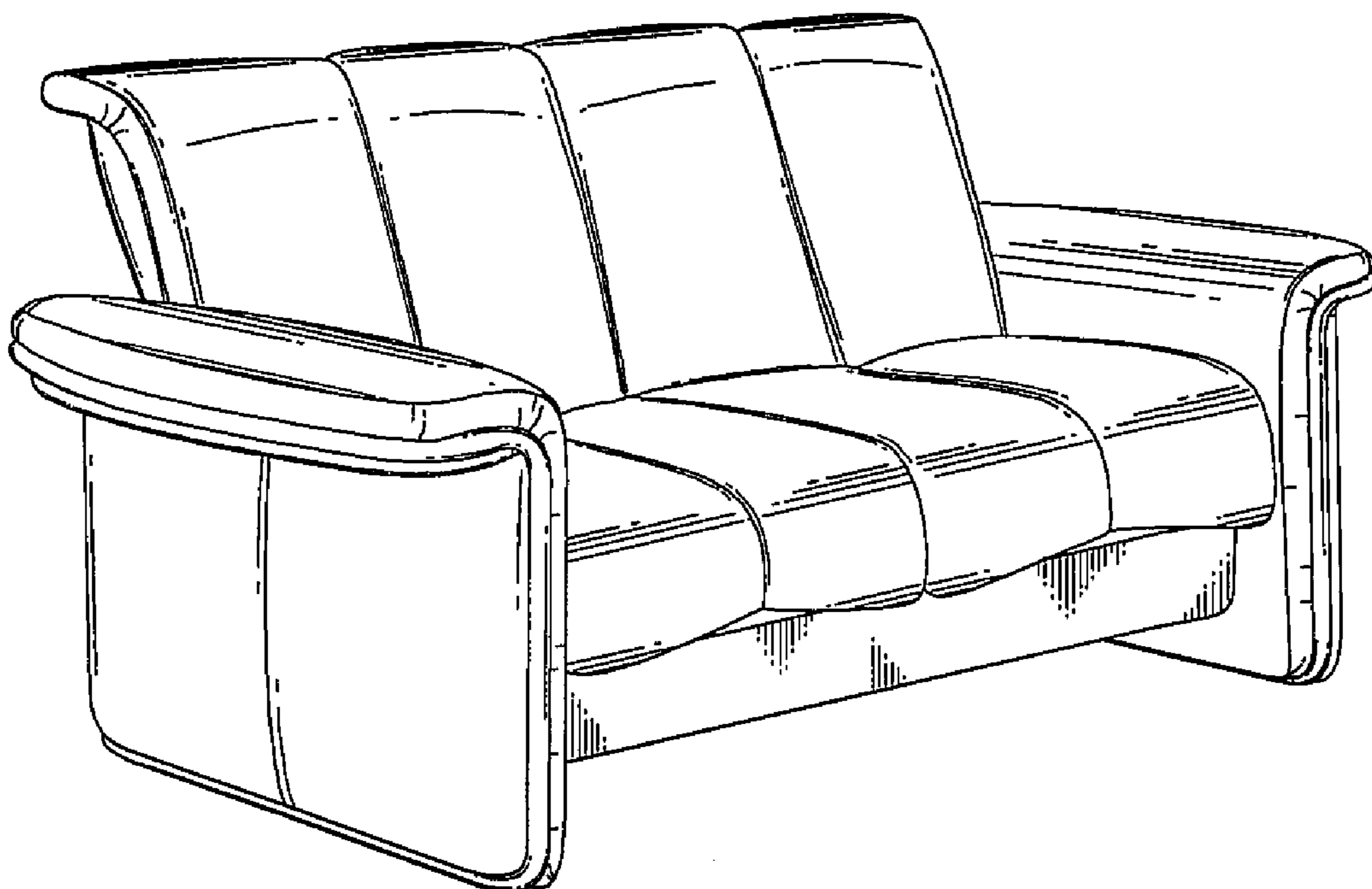
FIG. 6 is a back elevation view thereof;

FIG. 7 is a left side view thereof; and,

FIG. 8 is a right side view thereof.

The broken lines shown in the drawings are for illustrative purposes only and form no part of the claimed design.

1 Claim, 4 Drawing Sheets



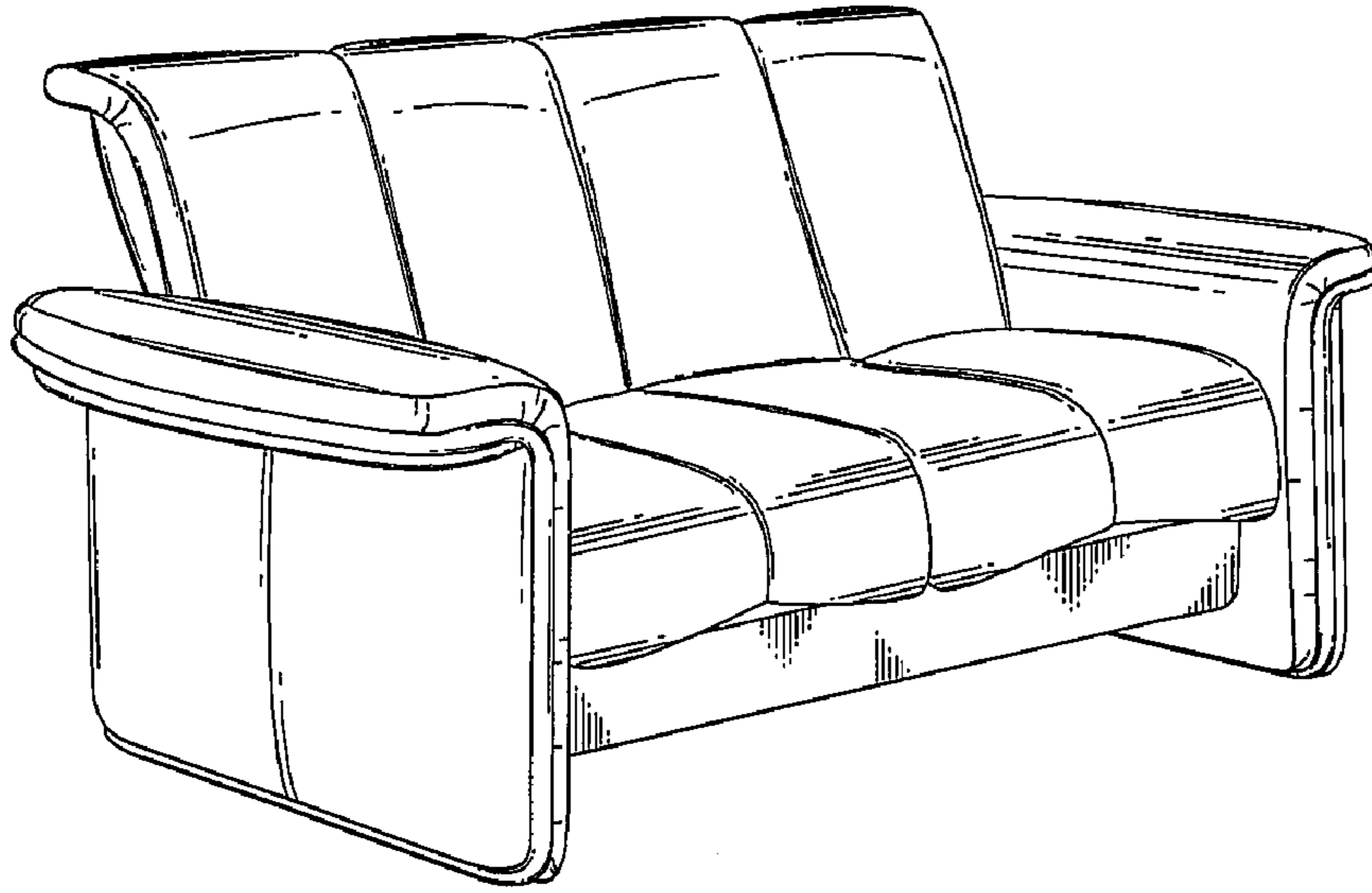


Fig. 1

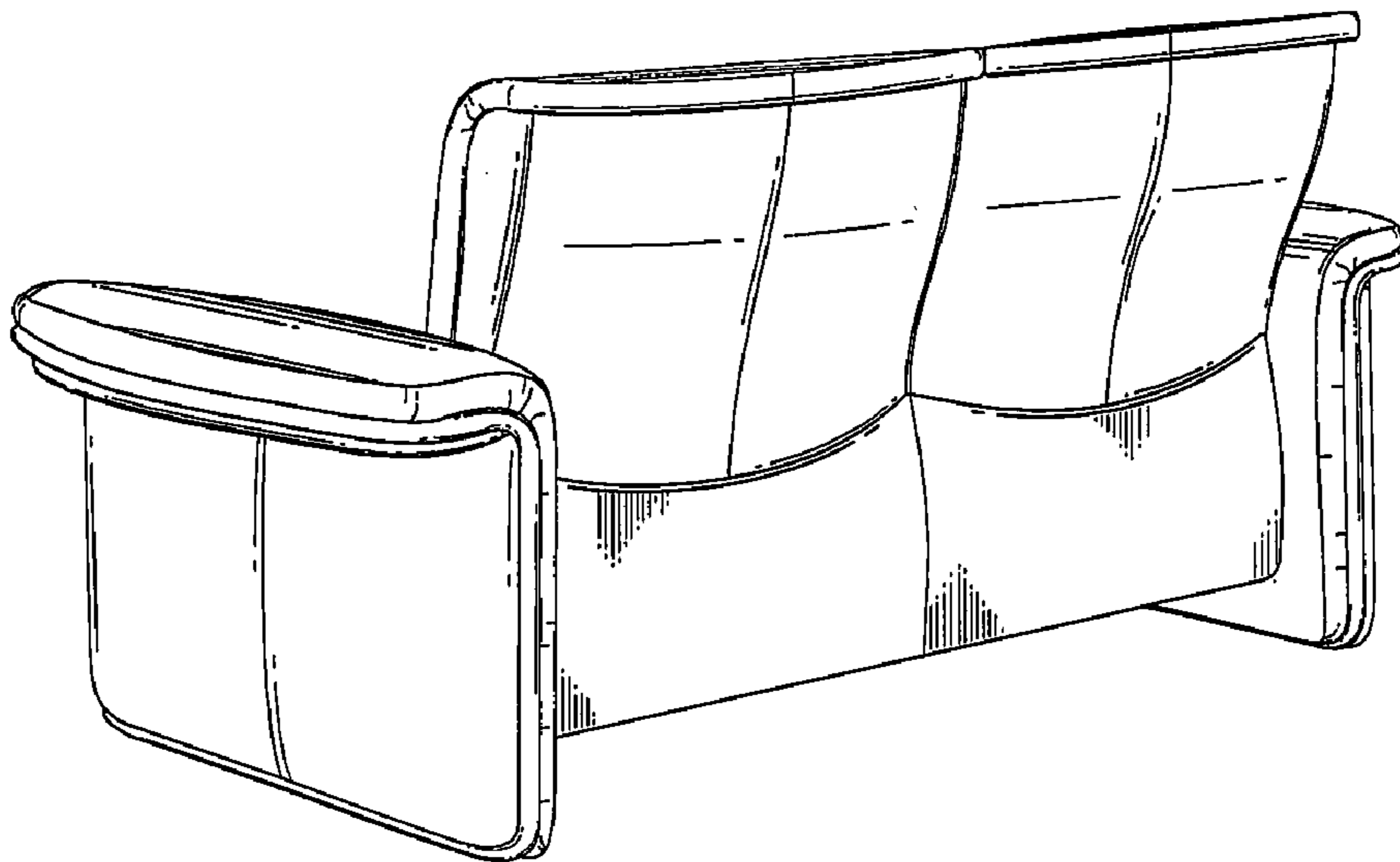


Fig. 2

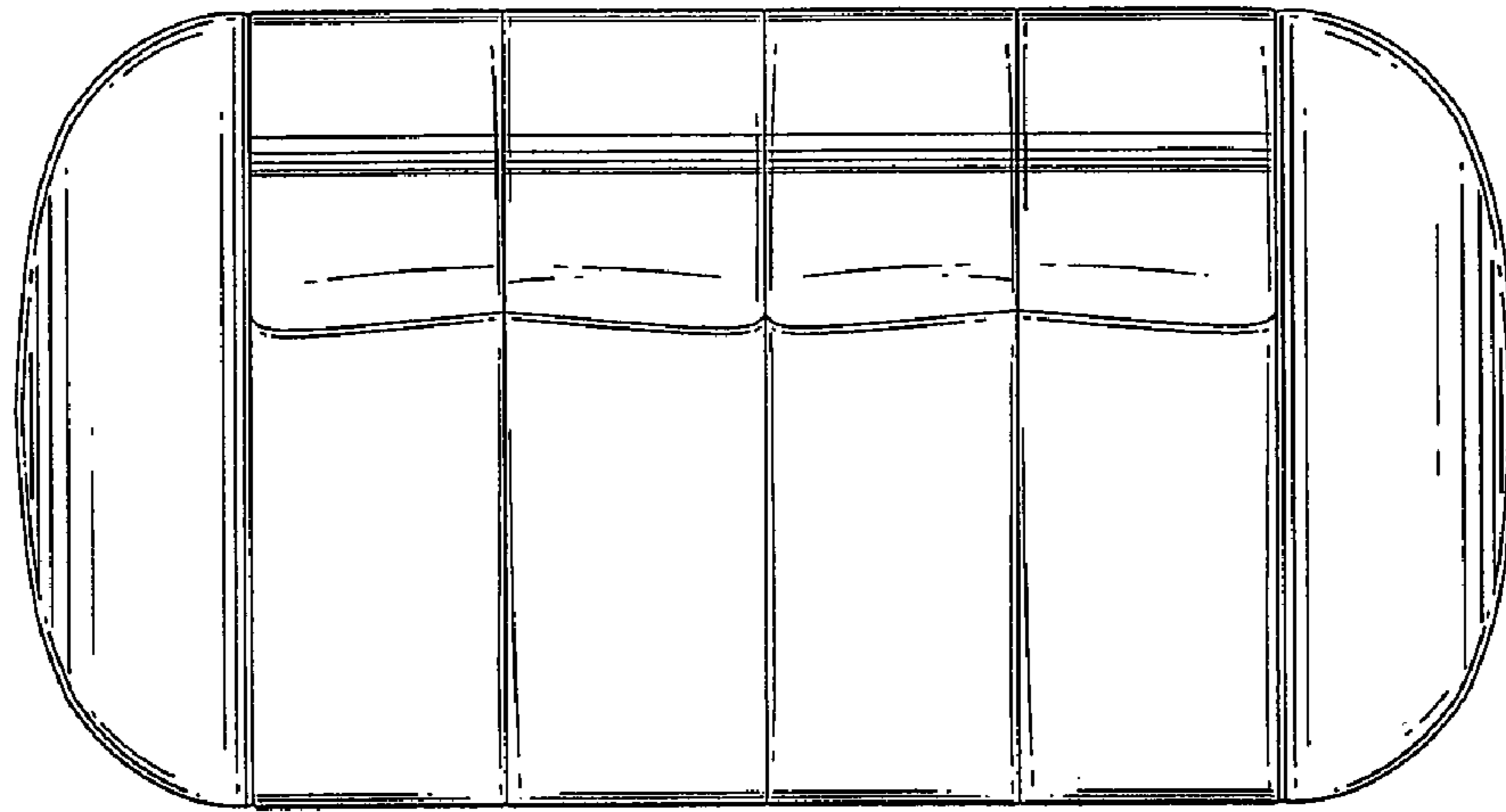


Fig. 3

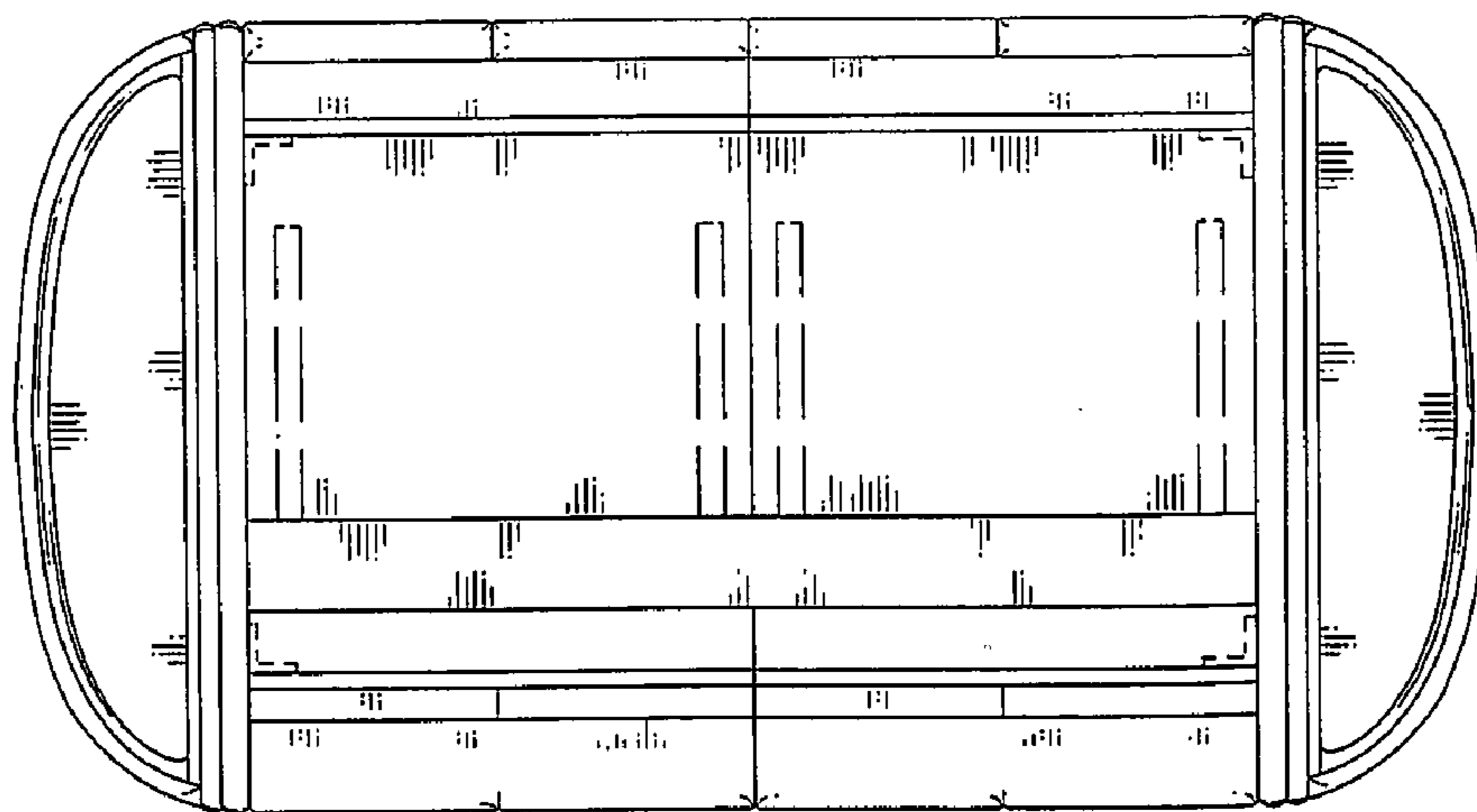


Fig. 4

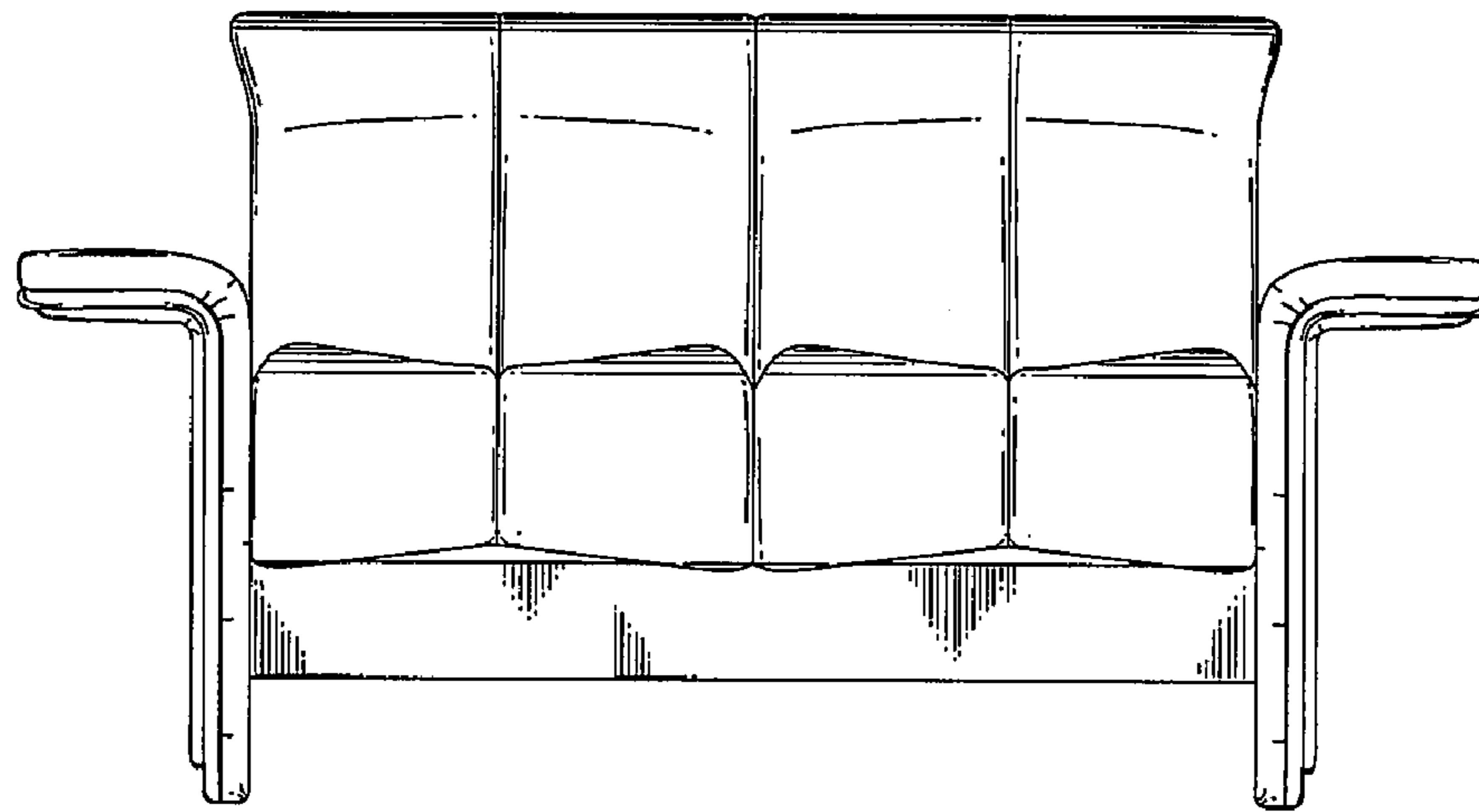


Fig. 5

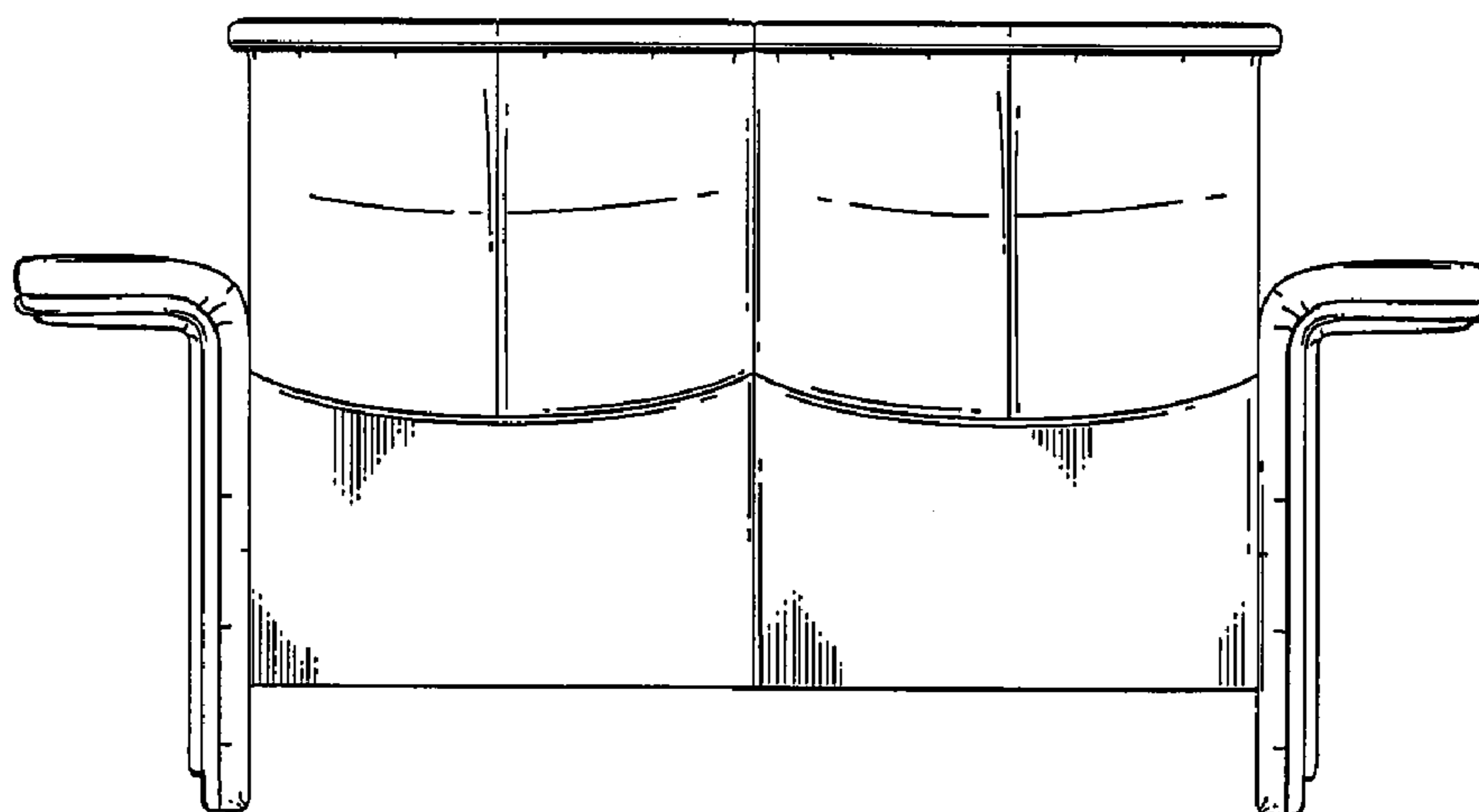


Fig. 6

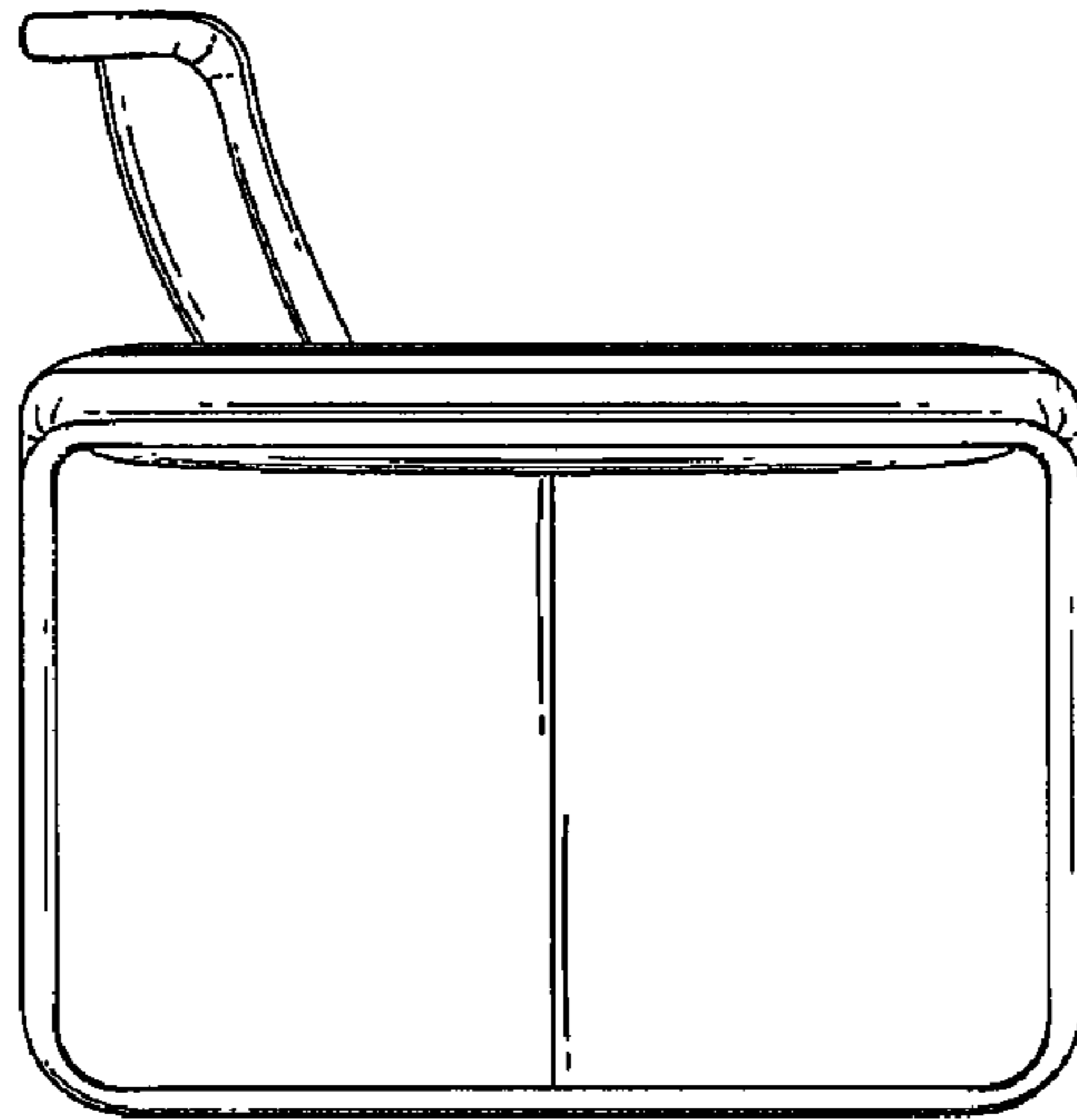


Fig. 7

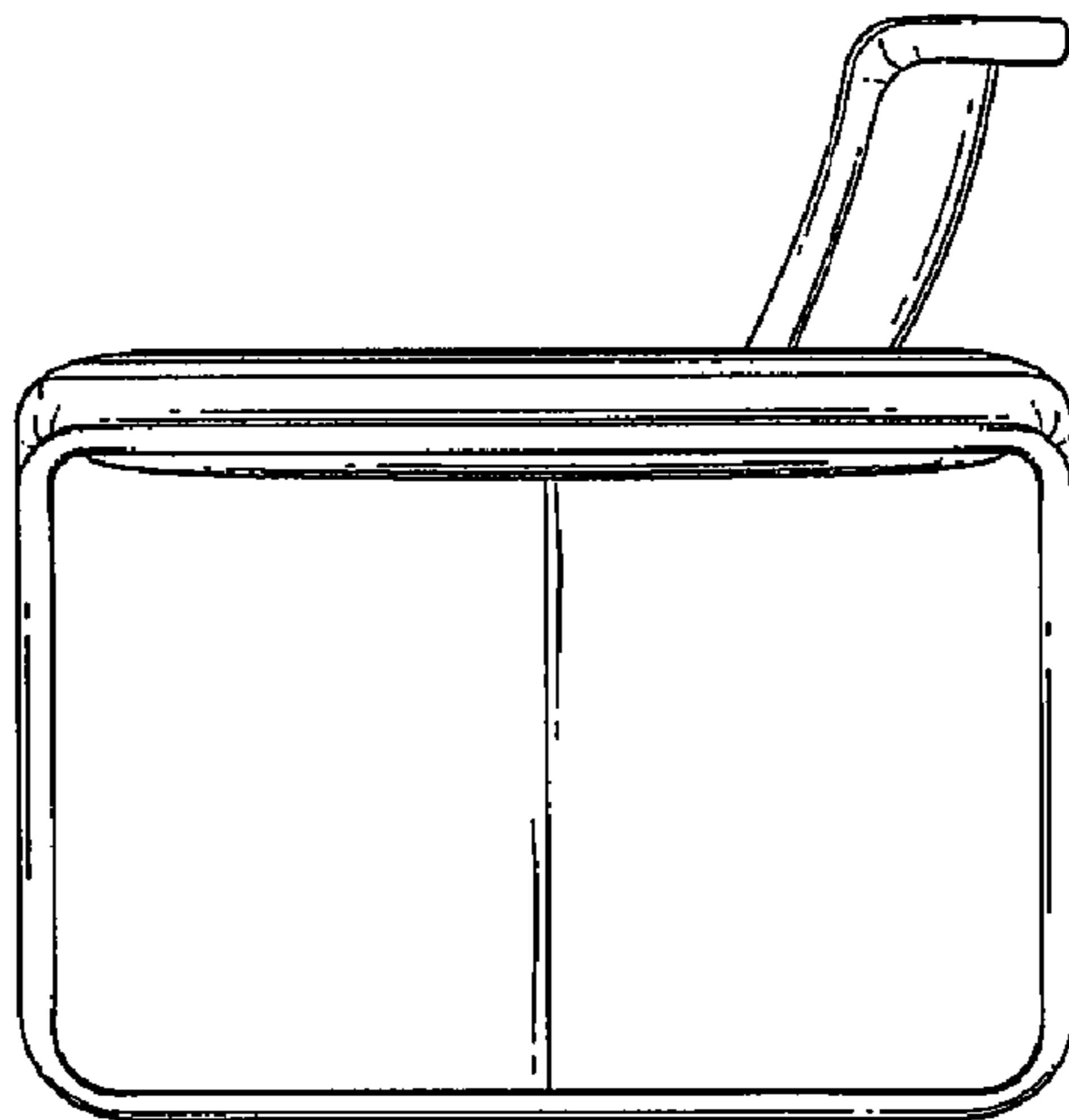


Fig. 8