



US00D630448S

(12) **United States Design Patent**
Xu et al.

(10) **Patent No.:** **US D630,448 S**
(45) **Date of Patent:** **** Jan. 11, 2011**

(54) **CHILD BOOSTER SEAT**

(75) Inventors: **Lihong Xu**, Ningbo (CN); **Wugen Wang**, Ningbo (CN); **Yuegang Zhu**, Ningbo (CN)

(73) Assignee: **Max-INF (Ningbo) Baby Product Co., Ltd.**, Ningbo, Zhejiang Province (CN)

(**) Term: **14 Years**

(21) Appl. No.: **29/366,368**

(22) Filed: **Jul. 23, 2010**

(30) **Foreign Application Priority Data**

May 11, 2010 (CN) 2010 3 0176767

(51) **LOC (9) Cl.** **06-01**

(52) **U.S. Cl.** **D6/333**

(58) **Field of Classification Search** D6/333-336, D6/339-341, 344, 381, 491, 500-502; 297/250.1, 297/255, 256.15; 5/94, 98.2, 103, 104, 655, 5/655.3; D12/129-130, 133; D21/419; 280/30-31
See application file for complete search history.

(56) **References Cited**

U.S. PATENT DOCUMENTS

D286,471 S * 11/1986 Solloway D6/333
D327,175 S * 6/1992 Mariol D6/335

D360,307 S * 7/1995 Kain D6/333
D365,691 S * 1/1996 Sedlack D6/333
D383,316 S * 9/1997 Kain D6/333
D383,317 S * 9/1997 Kain D6/333
D385,116 S * 10/1997 Kiser et al. D6/333
D461,320 S * 8/2002 Sher D6/333
D461,646 S * 8/2002 Kain D6/333
D560,375 S * 1/2008 Grohs D6/333

* cited by examiner

Primary Examiner—Ian Simmons

Assistant Examiner—Abraham Bahta

(57) **CLAIM**

The ornamental design for a child booster seat, as shown and described.

DESCRIPTION

FIG. 1 is a perspective view of the child booster seat showing my new design;

FIG. 2 is a front view thereof;

FIG. 3 is a back view thereof;

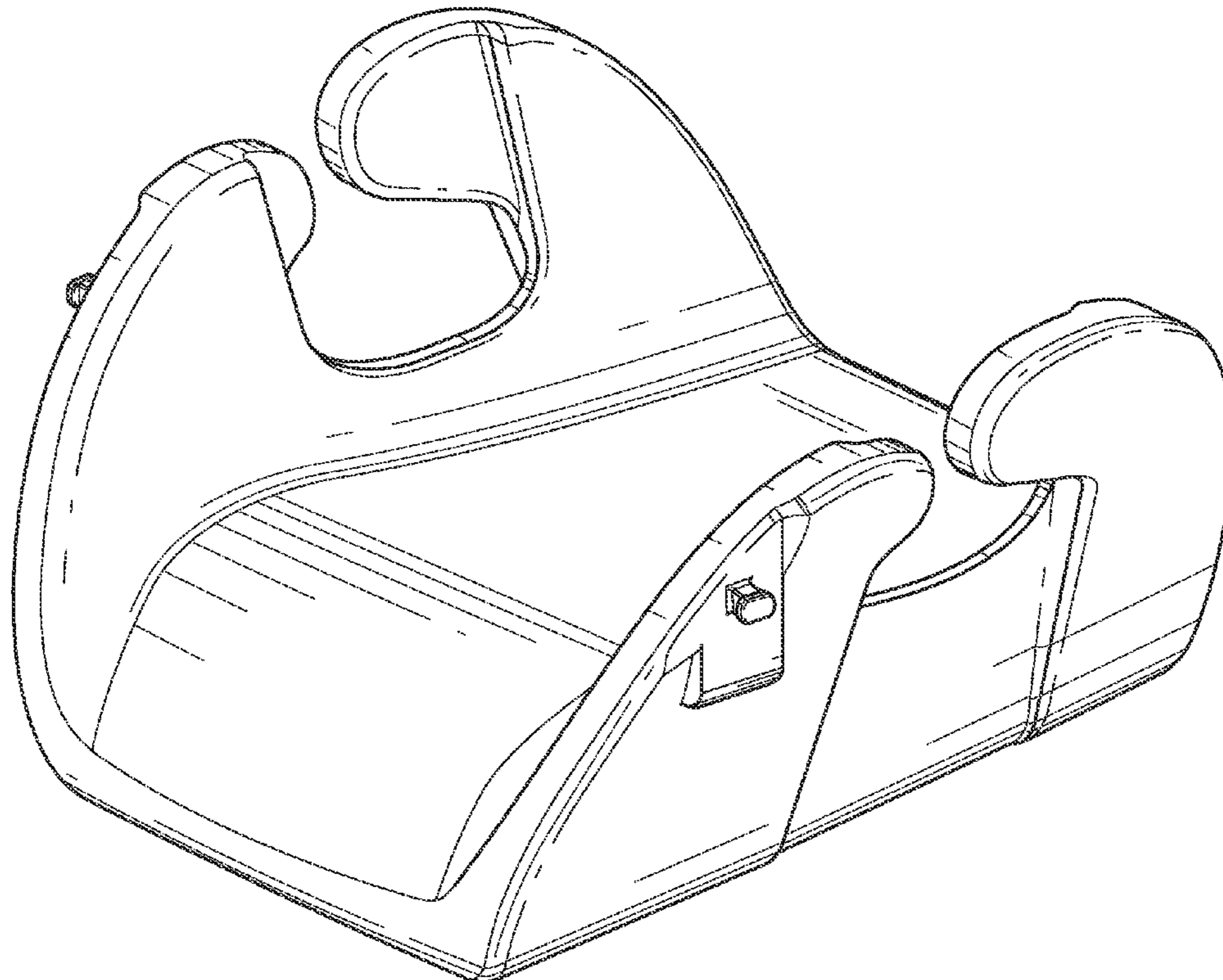
FIG. 4 is a left side view thereof;

FIG. 5 is a right side view thereof;

FIG. 6 is a top view thereof; and,

FIG. 7 is a bottom view thereof.

1 Claim, 5 Drawing Sheets



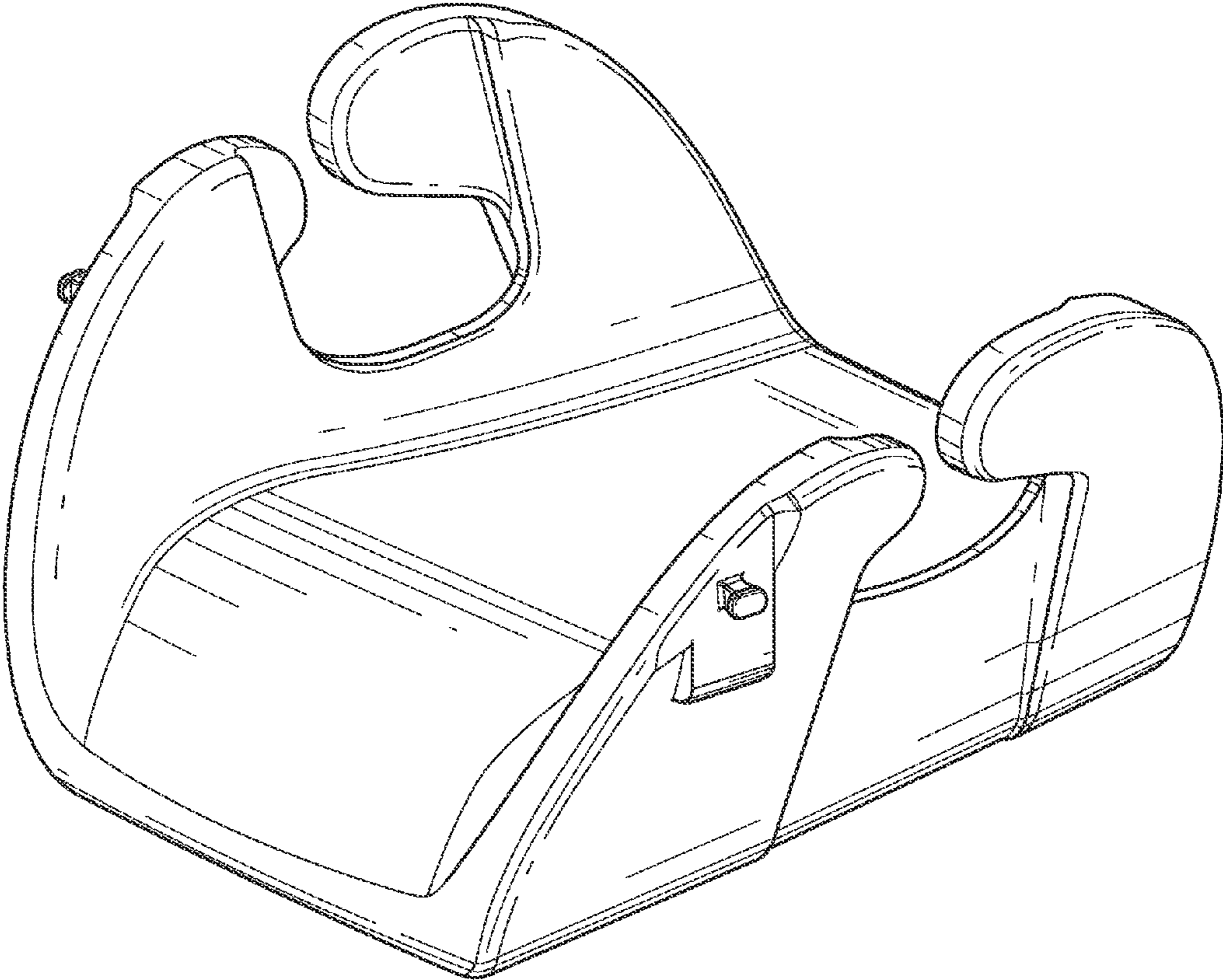


FIG. 1

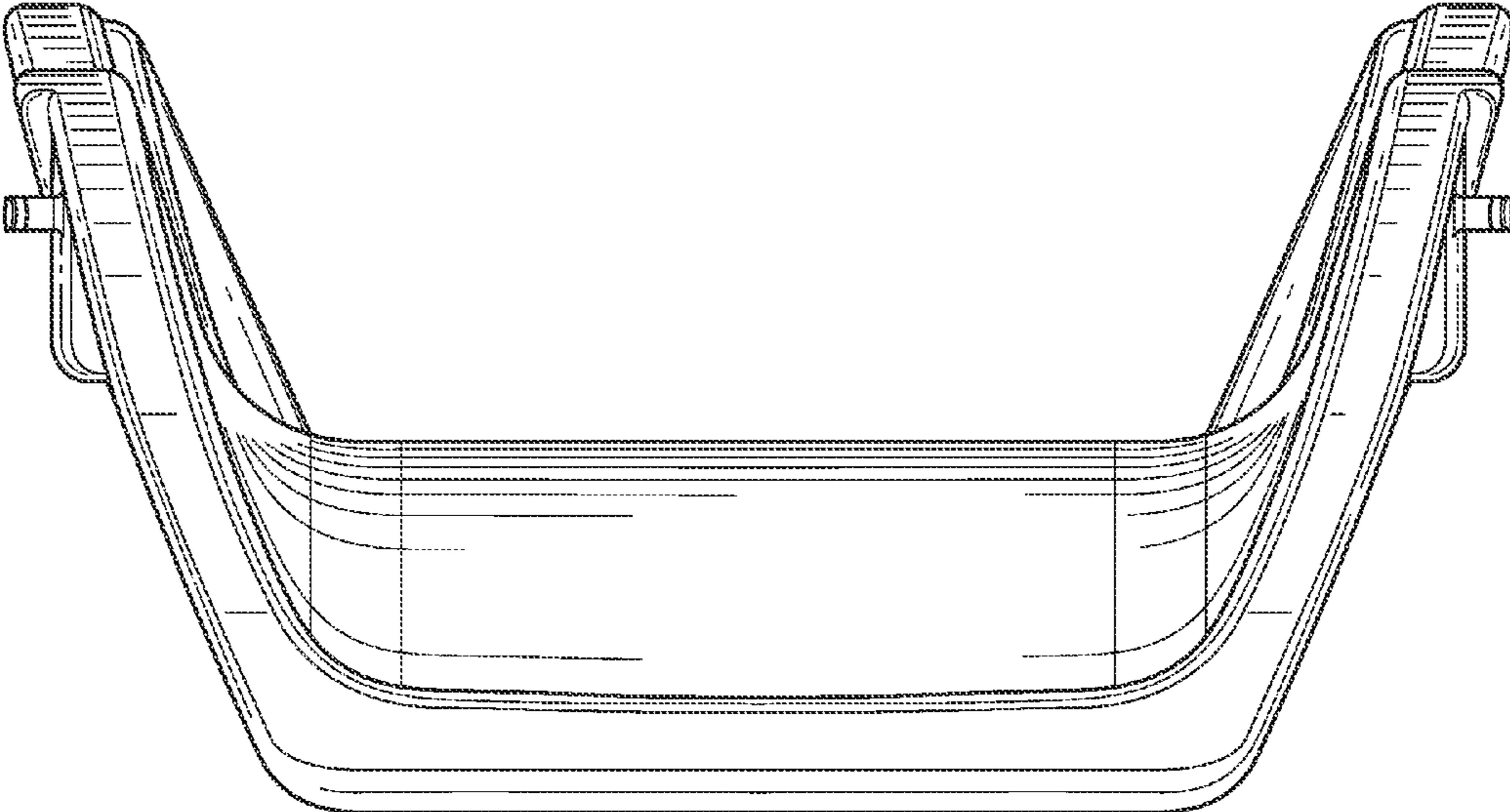


FIG. 2

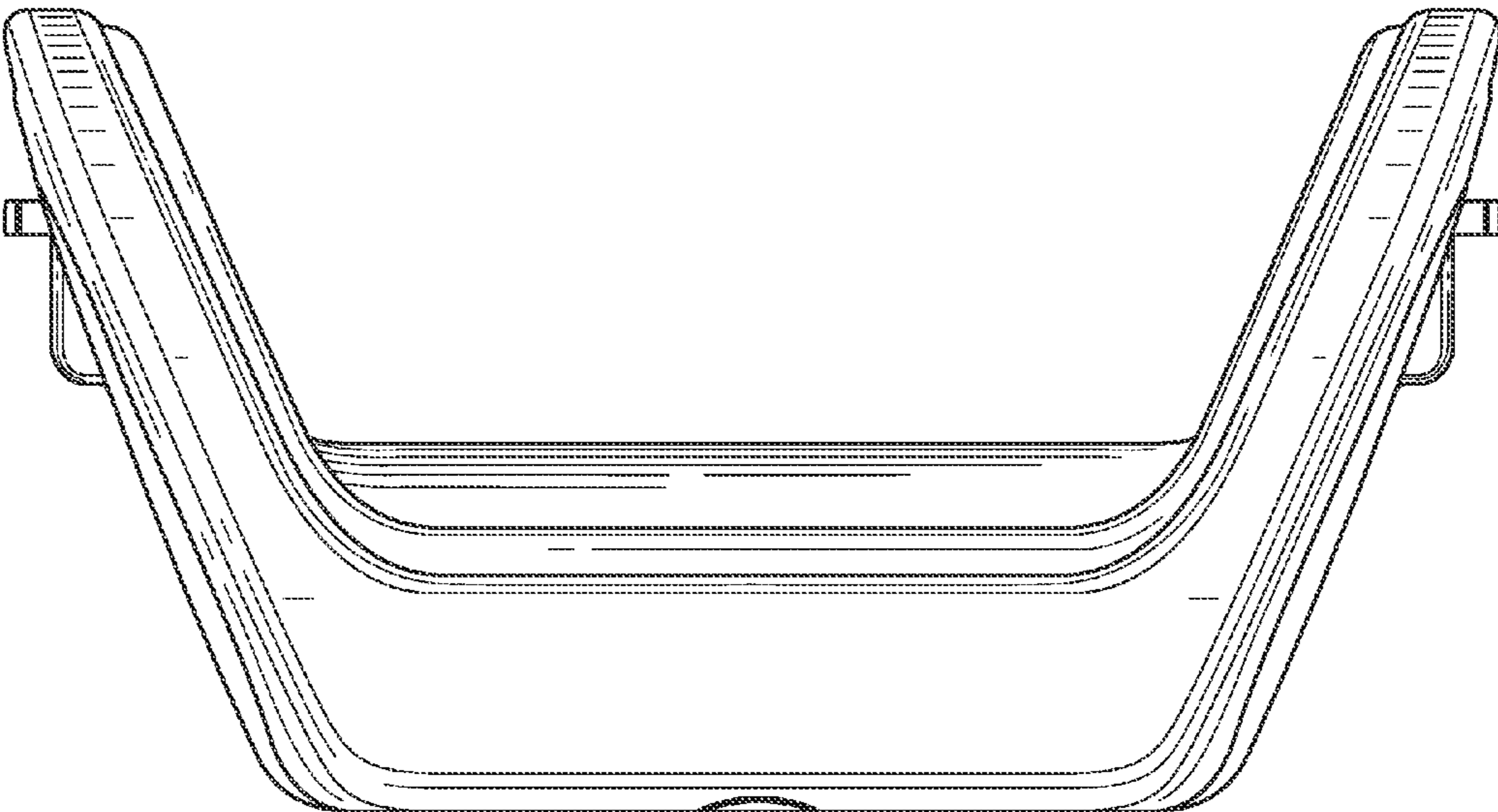


FIG. 3

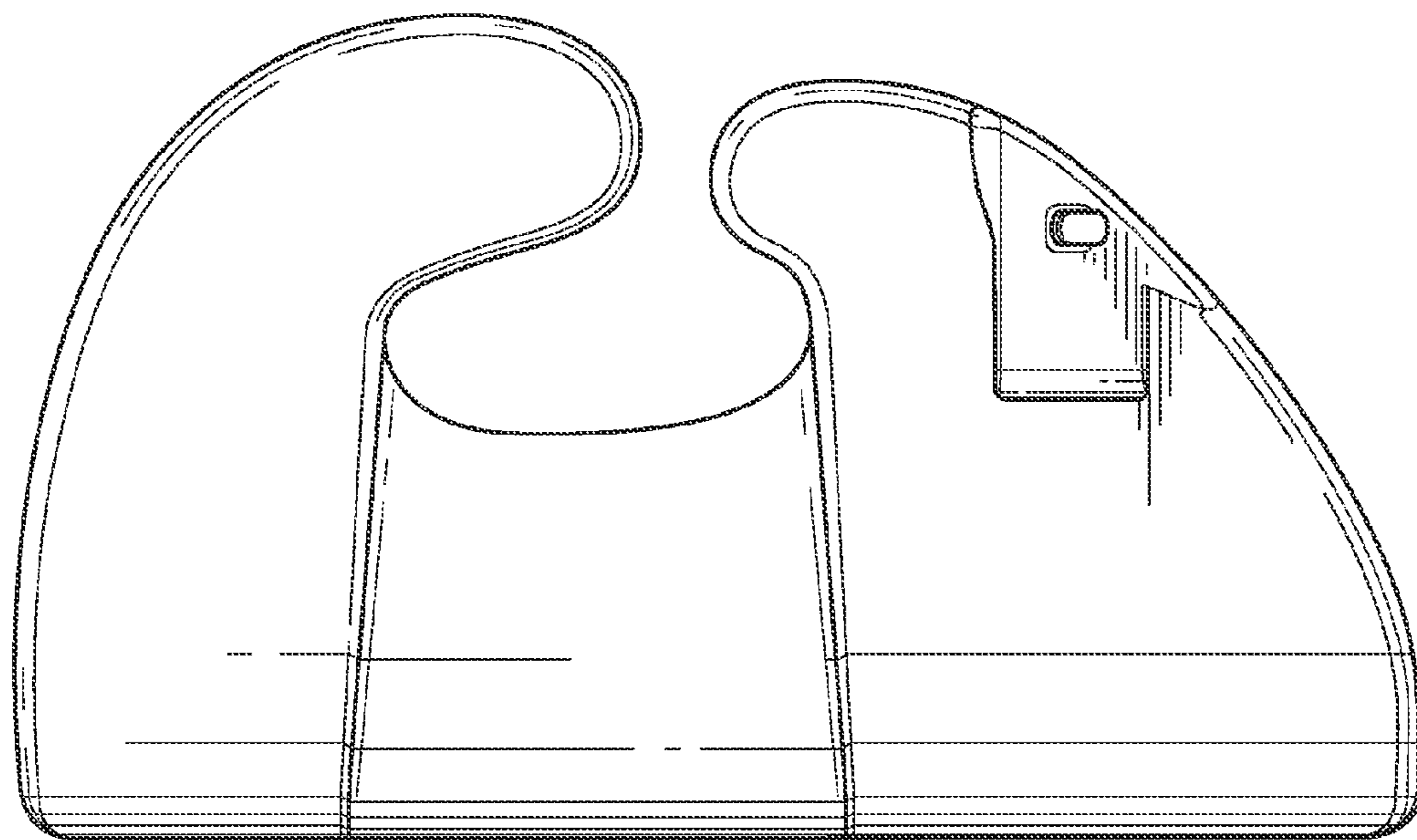


FIG. 4

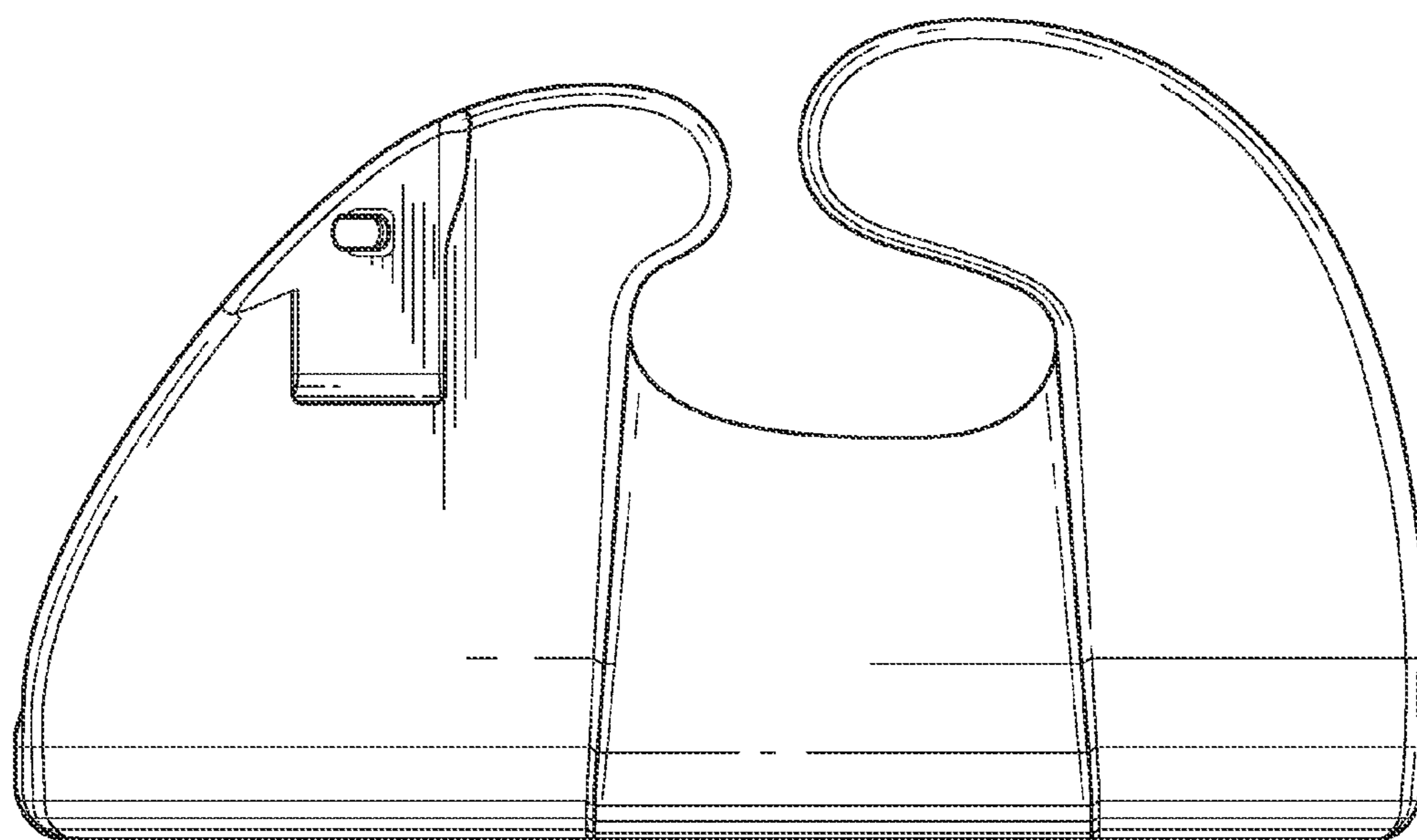


FIG. 5

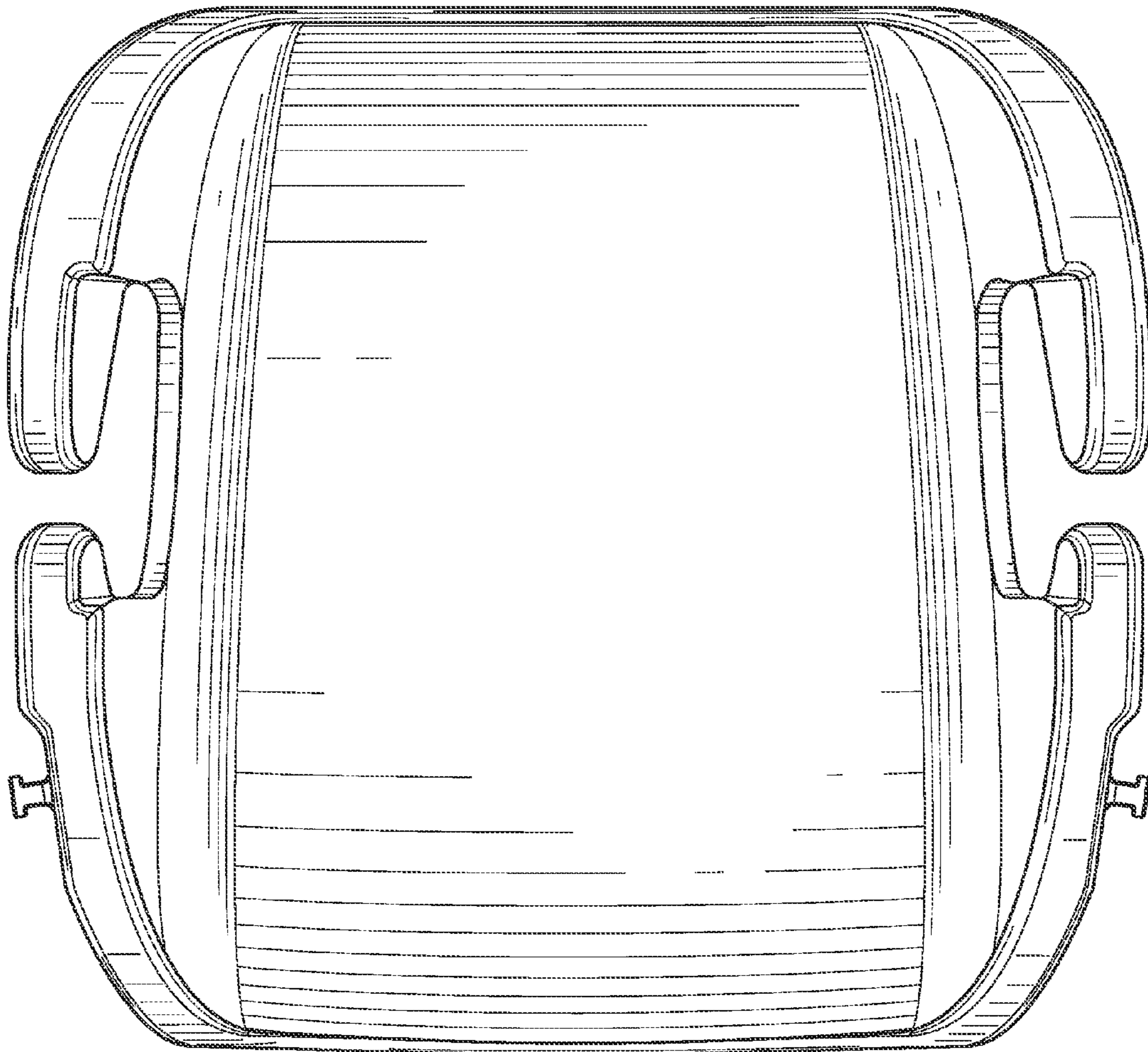


FIG. 6

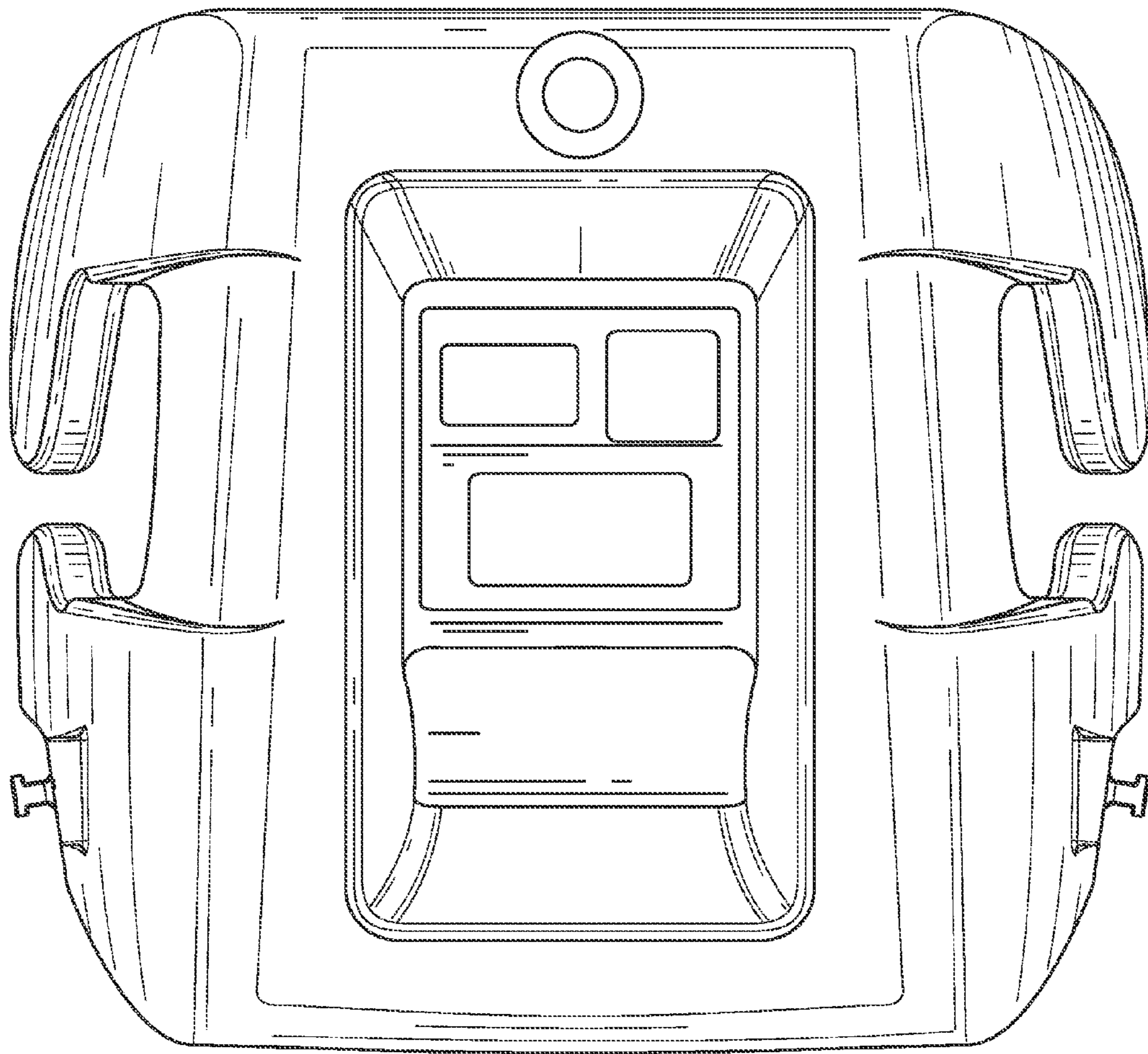


FIG. 7