



US00D630444S

(12) **United States Design Patent**
Navarro

(10) **Patent No.:** **US D630,444 S**
(45) **Date of Patent:** **** Jan. 11, 2011**

(54) **CLOSET GARMENT DIVIDER**

D560,372 S * 1/2008 Lee D6/315
D563,680 S * 3/2008 Barker D6/315

(76) Inventor: **Charles J. Navarro**, 18521 Linda Cir.,
Cerritos, CA (US) 90703

* cited by examiner

(**) Term: **14 Years**

Primary Examiner—Shanda C Hill

(74) *Attorney, Agent, or Firm*—Richard L. Mikesell

(21) Appl. No.: **29/370,435**

(57) **CLAIM**

(22) Filed: **Jul. 16, 2010**

The ornamental design for a closet garment divider, as shown and described.

(51) **LOC (9) Cl.** **06-08**

(52) **U.S. Cl.** **D6/315; D6/328**

(58) **Field of Classification Search** D6/315,
D6/318, 328; 211/1, 13.1, 85.3, 86.01; 223/85–98
See application file for complete search history.

DESCRIPTION

FIG. 1 is a top, left, perspective view of a closet garment divider showing my new design;

FIG. 2 is a left side elevational view thereof, the right side view being a mirror image;

FIG. 3 is a bottom plan view thereof;

FIG. 4 is a top plan view thereof;

FIG. 5 is a rear elevational view thereof;

FIG. 6 is a front elevational view thereof; and,

FIG. 7 is an exploded perspective view thereof, shown in a preferred environment.

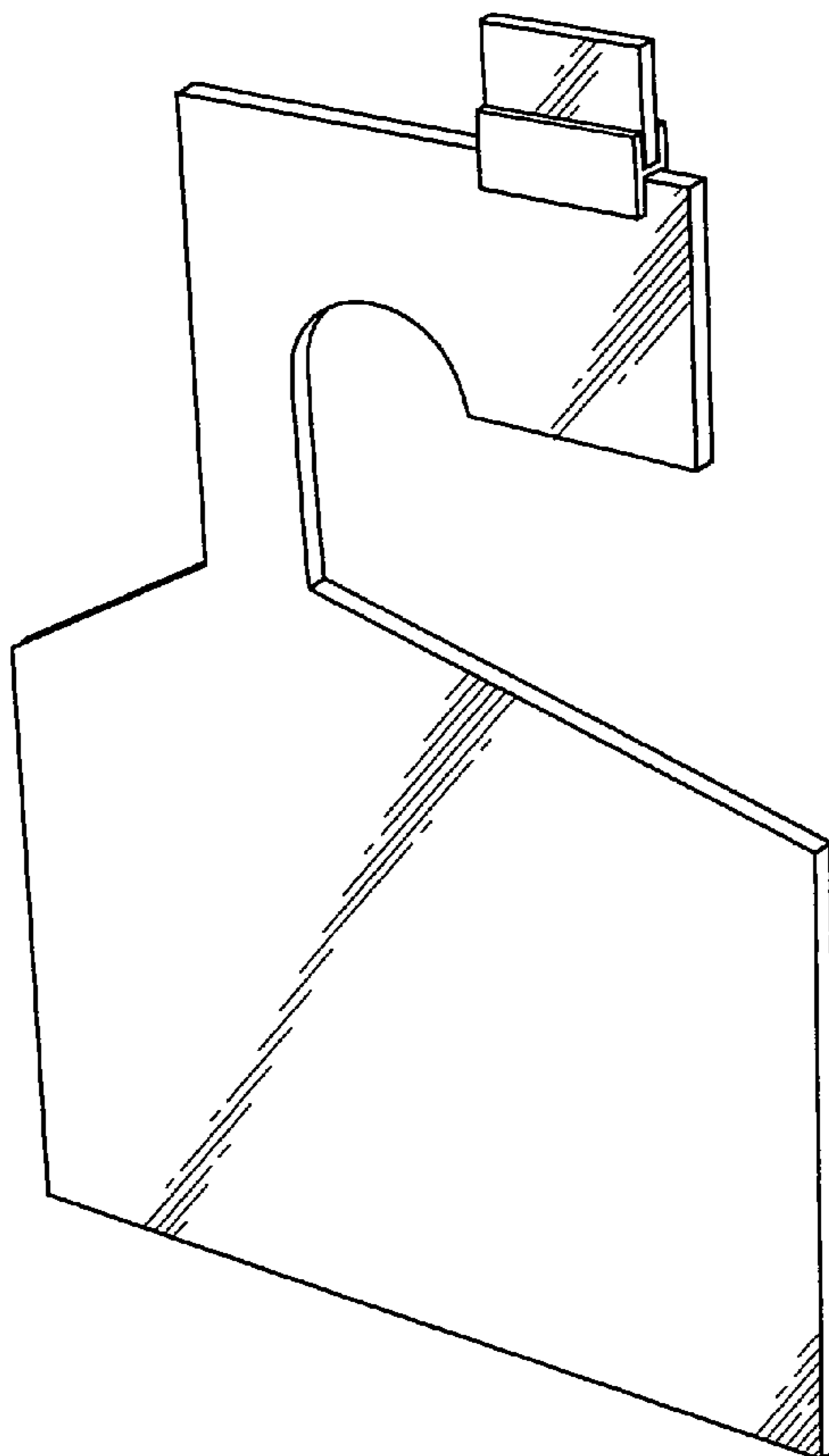
The phantom word is not claimed.

(56) **References Cited**

U.S. PATENT DOCUMENTS

D313,701 S	*	1/1991	Leese	D6/315
D321,288 S	*	11/1991	Nichol, Jr.	D6/315
D323,069 S	*	1/1992	Leese	D6/315
D326,365 S	*	5/1992	Stevens et al.	D6/315
D365,690 S	*	1/1996	Charlet	D6/315
D368,590 S	*	4/1996	Charlet	D6/315
D377,868 S	*	2/1997	Charlet	D6/315
D480,566 S	*	10/2003	Neathery	D6/328
D548,982 S	*	8/2007	Chernicoff et al.	D6/318

1 Claim, 4 Drawing Sheets



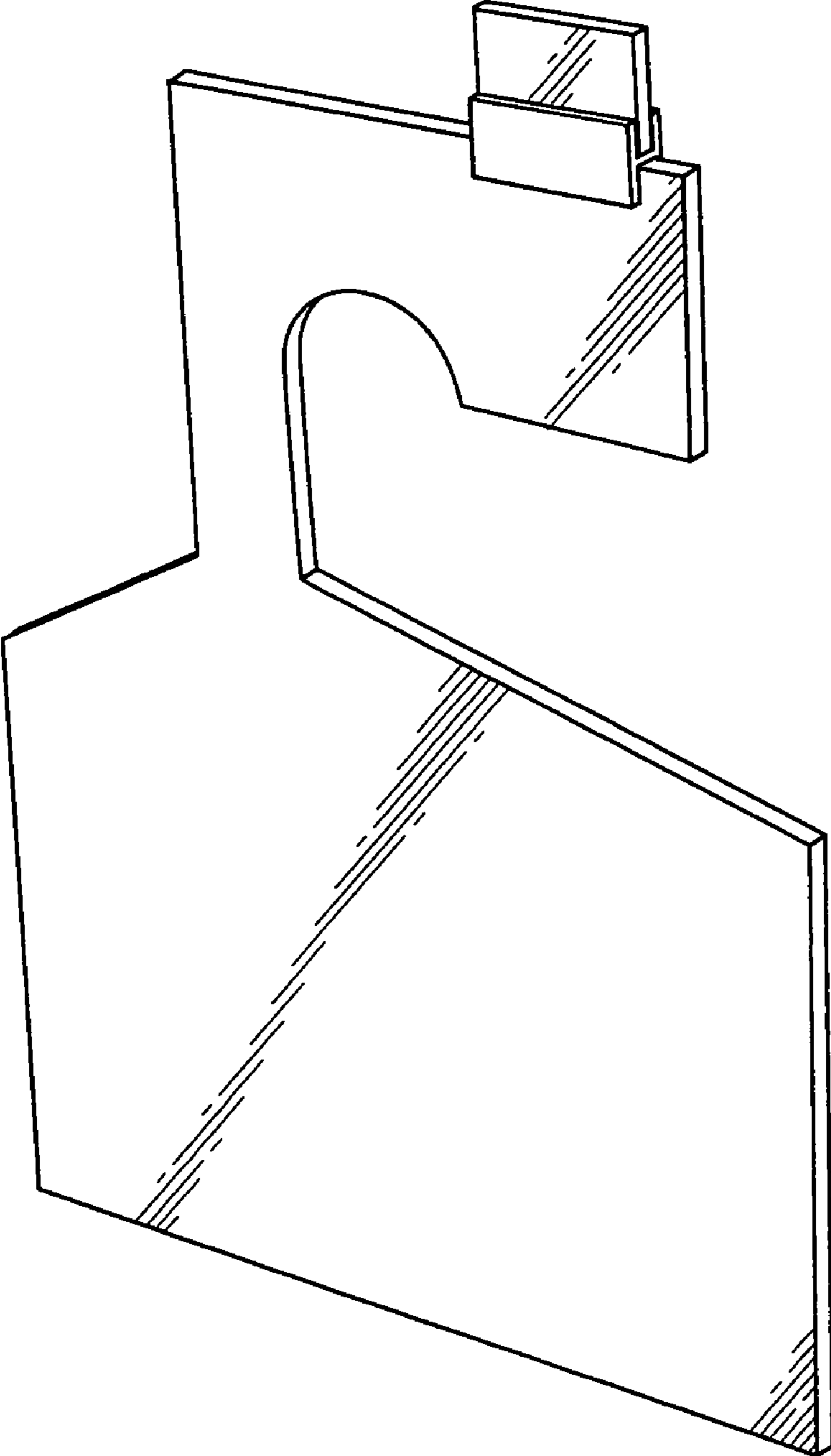


Fig. 1

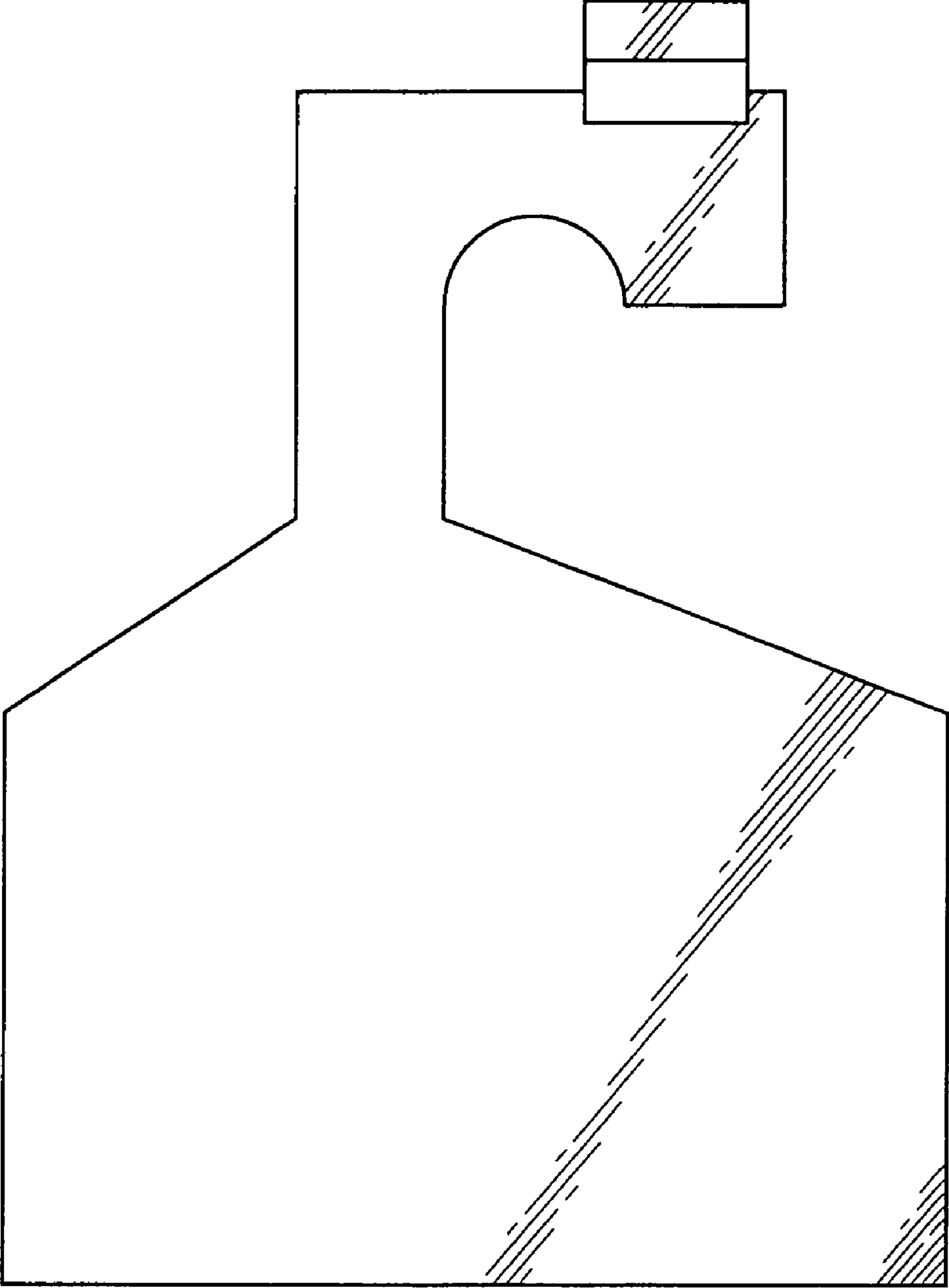


Fig. 2

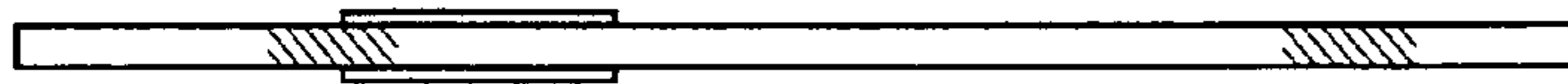


Fig. 3

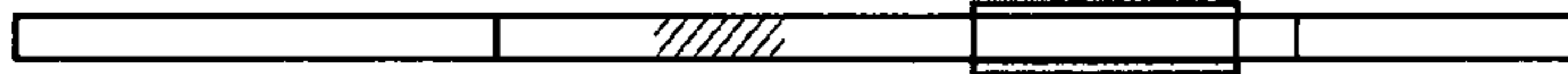


Fig. 4

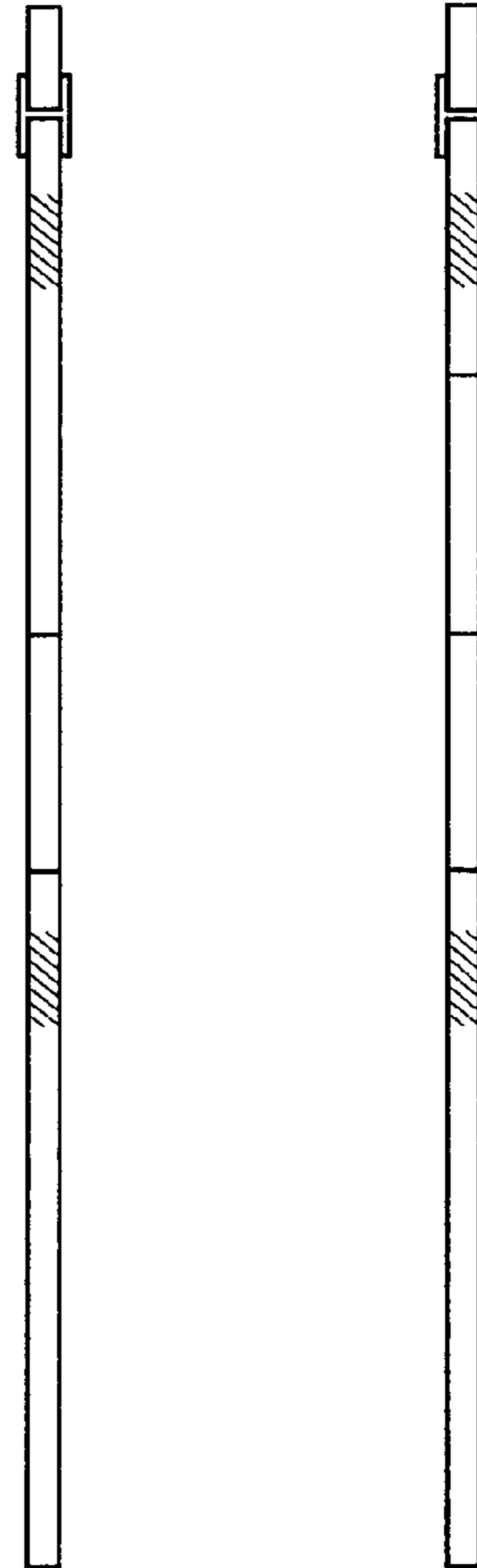


Fig. 5

Fig. 6

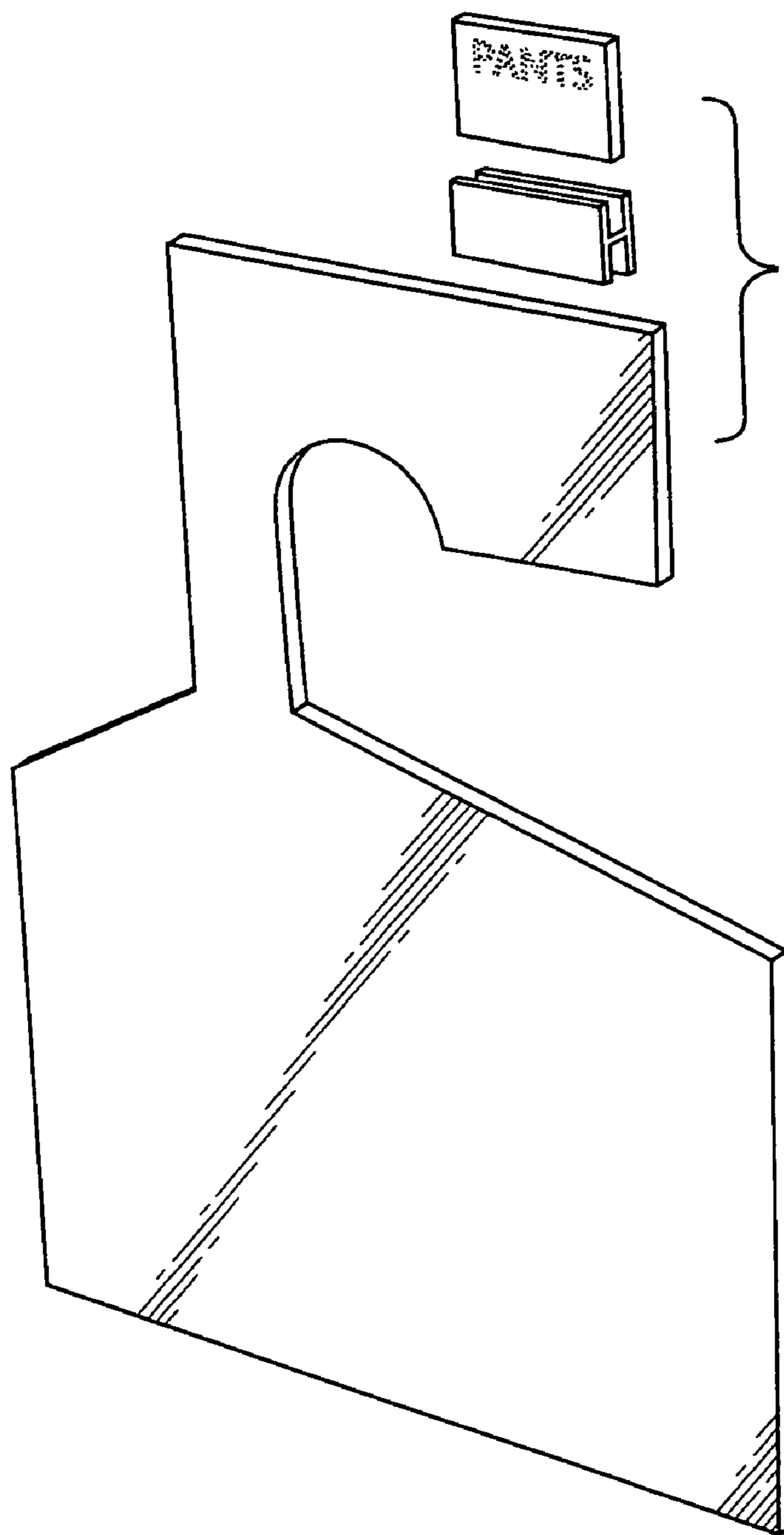


Fig. 7