



US00D630438S

(12) **United States Design Patent**
Raven

(10) **Patent No.:** **US D630,438 S**

(45) **Date of Patent:** **** Jan. 11, 2011**

(54) **FLEXIBLE BRUSH**

D591,513 S 5/2009 McNeil et al.

(75) Inventor: **Meghan M. Raven**, Grand Rapids, MI (US)

(73) Assignee: **BISSELL Homecare, Inc.**, Grand Rapids, MI (US)

(**) Term: **14 Years**

(21) Appl. No.: **29/361,404**

(22) Filed: **May 11, 2010**

(51) **LOC (9) Cl.** **04-01**

(52) **U.S. Cl.** **D4/129; D4/138**

(58) **Field of Classification Search** D4/129,
D4/130, 137, 138, 199; D32/40, 50-52;
15/143.1, 146, 159.1, 160, 167.3, 186-188,
15/201

See application file for complete search history.

(56) **References Cited**

U.S. PATENT DOCUMENTS

3,000,030	A *	9/1961	Ours	15/201
4,554,699	A *	11/1985	Simmons	15/201
D337,203	S *	7/1993	Ricciarelli et al.	D4/138
D404,575	S *	1/1999	Vetter	D4/130
D429,890	S *	8/2000	Tennant	D4/130
D436,448	S	1/2001	Osiecki et al.	
D449,451	S *	10/2001	Petner	D4/129
D469,613	S	2/2003	Libman et al.	

OTHER PUBLICATIONS

4301—Durable Bristle Handle Scrub, Mr. Clean Tools [online]. Butler Home Products LLC © 2003 [retrieved on May 31, 2008] Retrieved from the Internet: <URL: http://web.archive.org/web/*/http://www.mrcleantools.com>.*

* cited by examiner

Primary Examiner—Melanie H Tung

Assistant Examiner—Lavone D Tabor

(74) *Attorney, Agent, or Firm*—McGarry Bair PC

(57) **CLAIM**

The ornamental design for a flexible brush, as shown and described.

DESCRIPTION

FIG. 1 is a front perspective view of a flexible brush which embodies the design;

FIG. 2 is a rear perspective view thereof;

FIG. 3 is a front view thereof;

FIG. 4 is a rear view thereof;

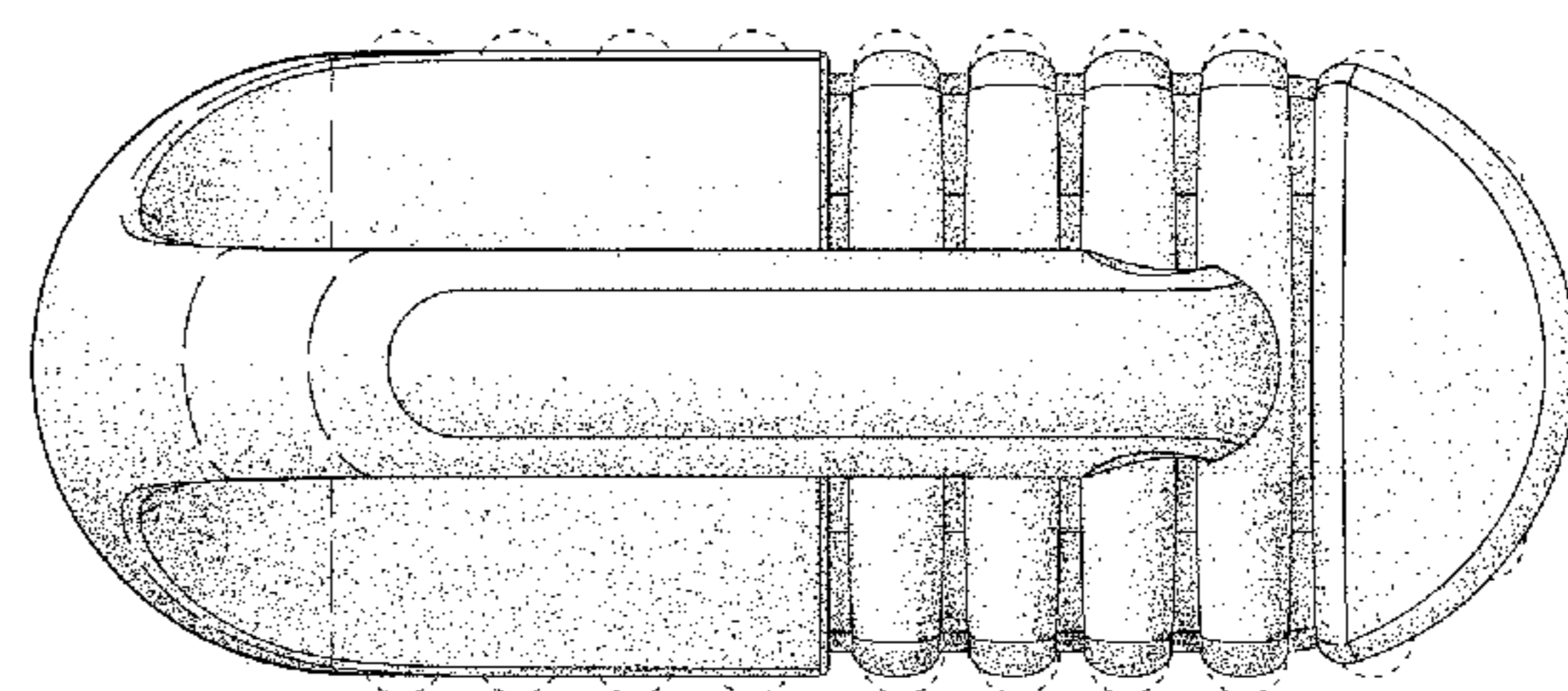
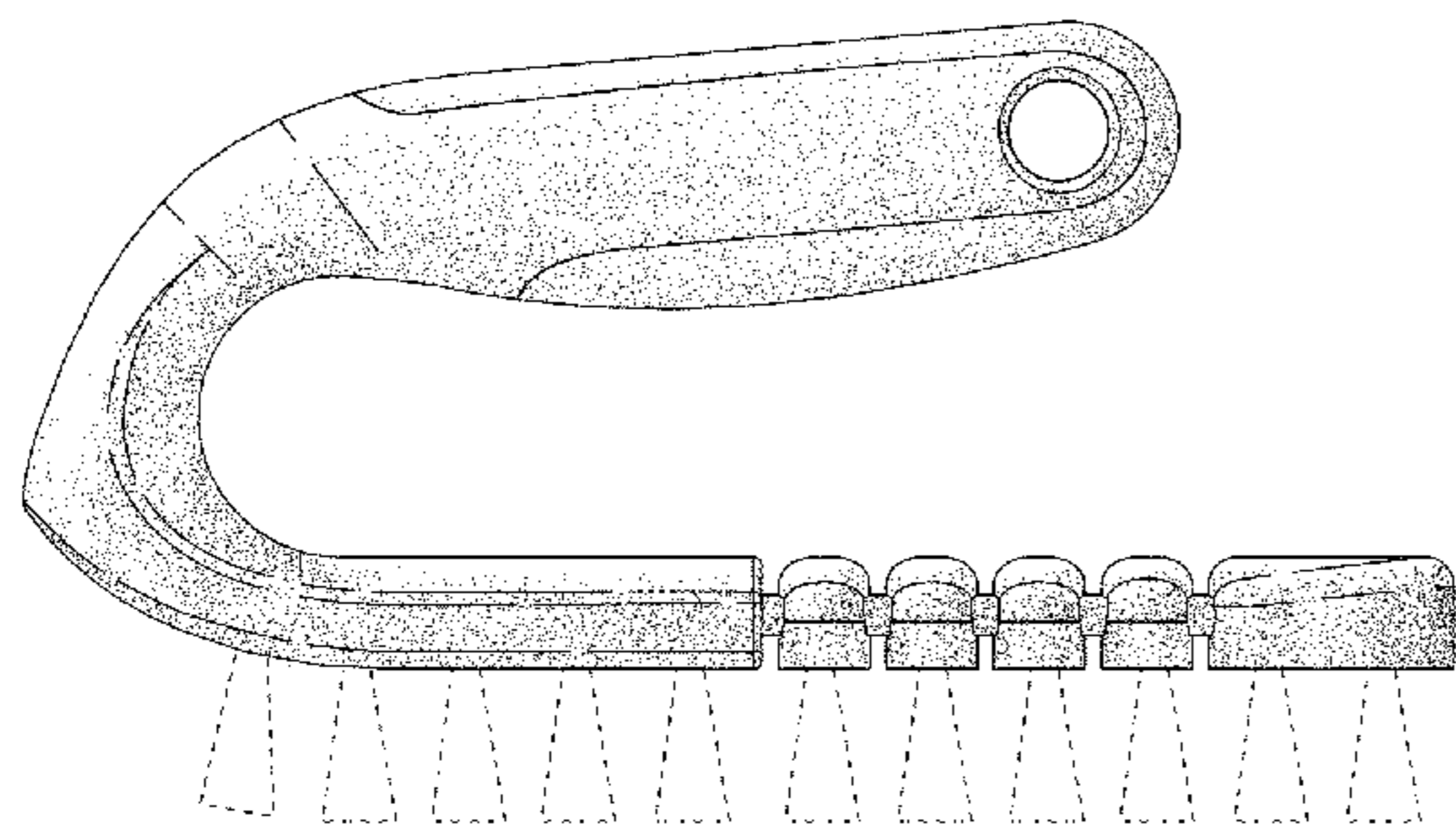
FIG. 5 is a right side view thereof; the left side view thereof being a mirror image of the right side view thereof;

FIG. 6 is a top view thereof; and,

FIG. 7 is a bottom thereof.

The broken-line showing of bristle tufts illustrate portions of the brush that form no part of the claimed design.

1 Claim, 3 Drawing Sheets



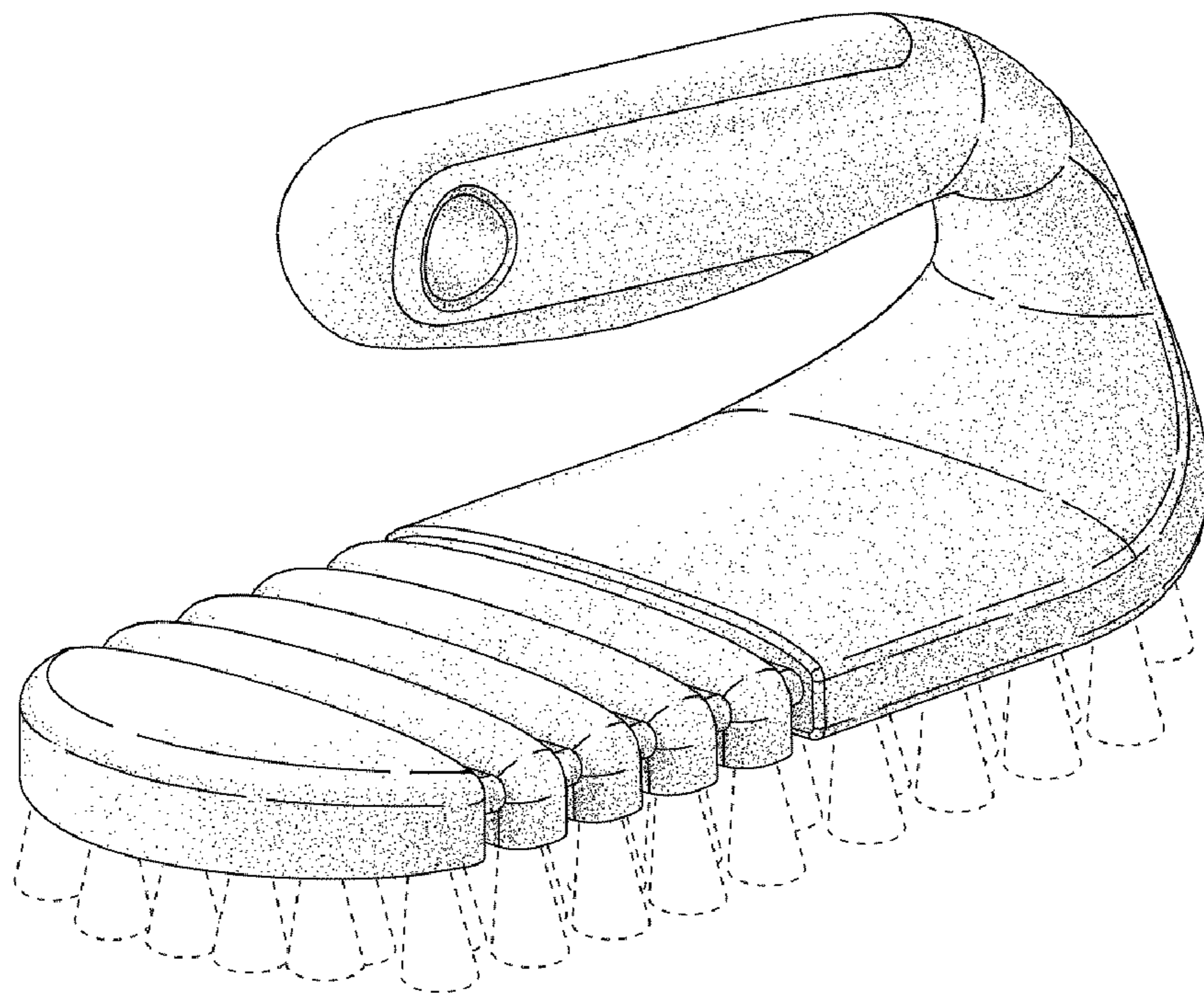


Fig. 1

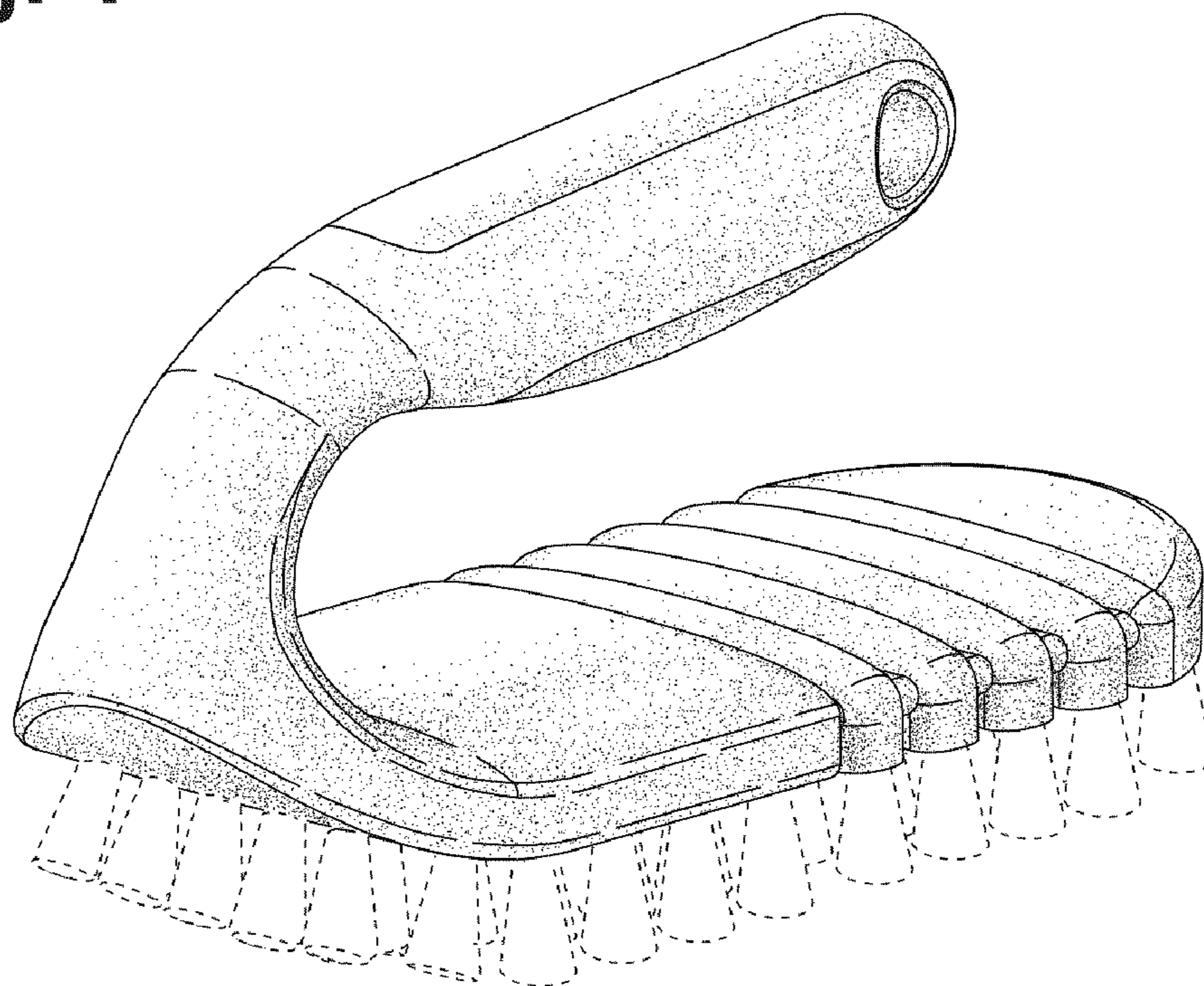


Fig. 2

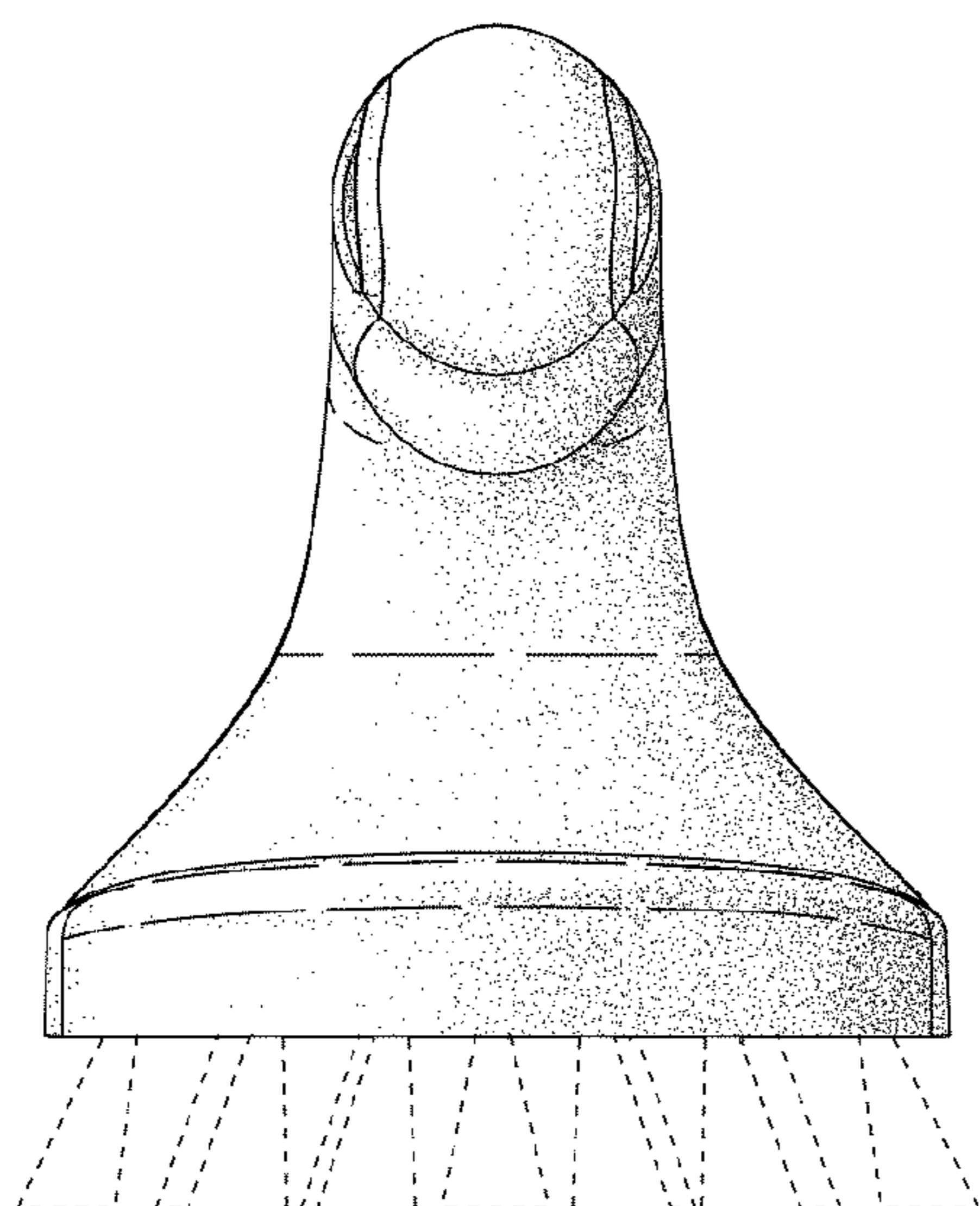


Fig. 3

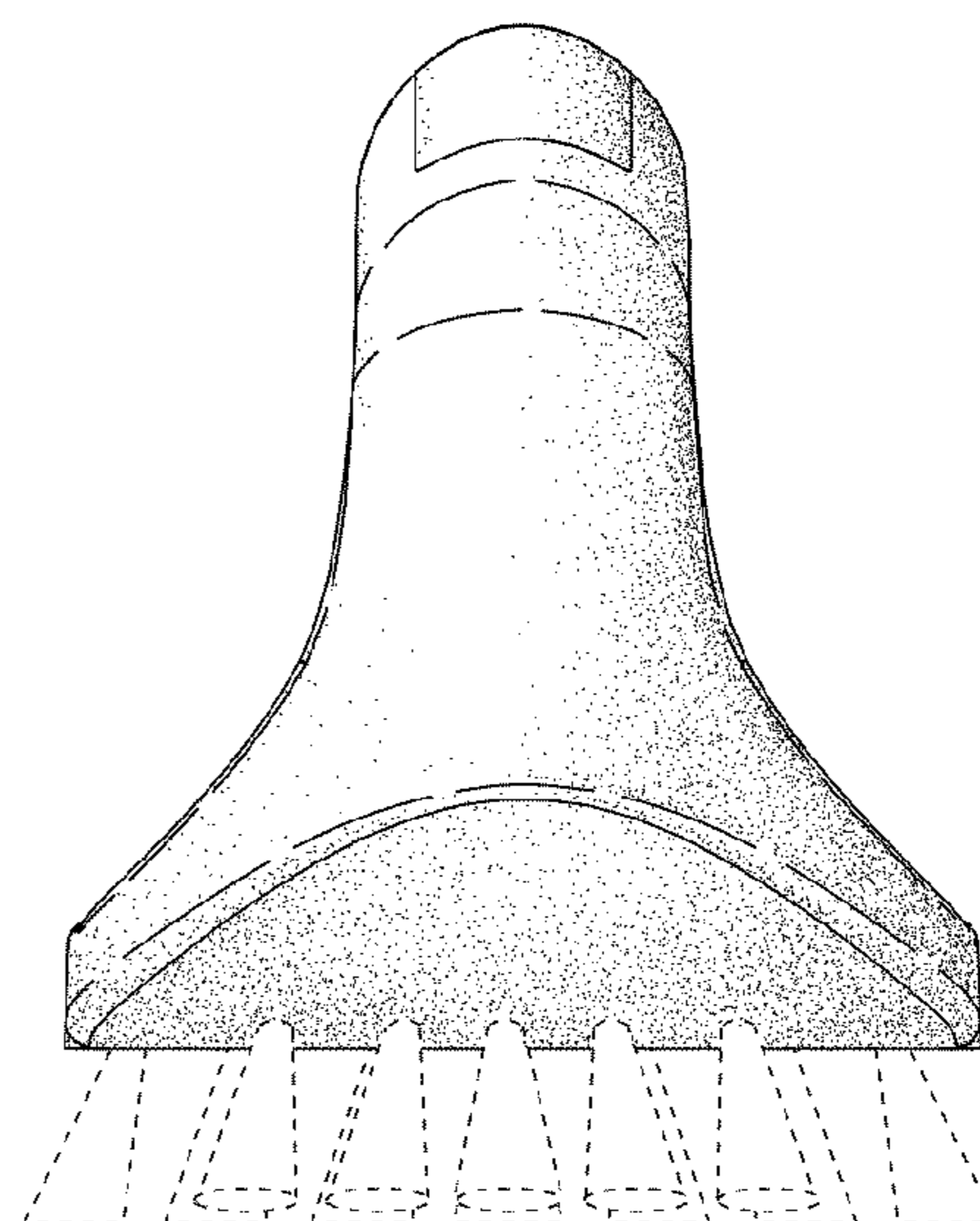


Fig. 4

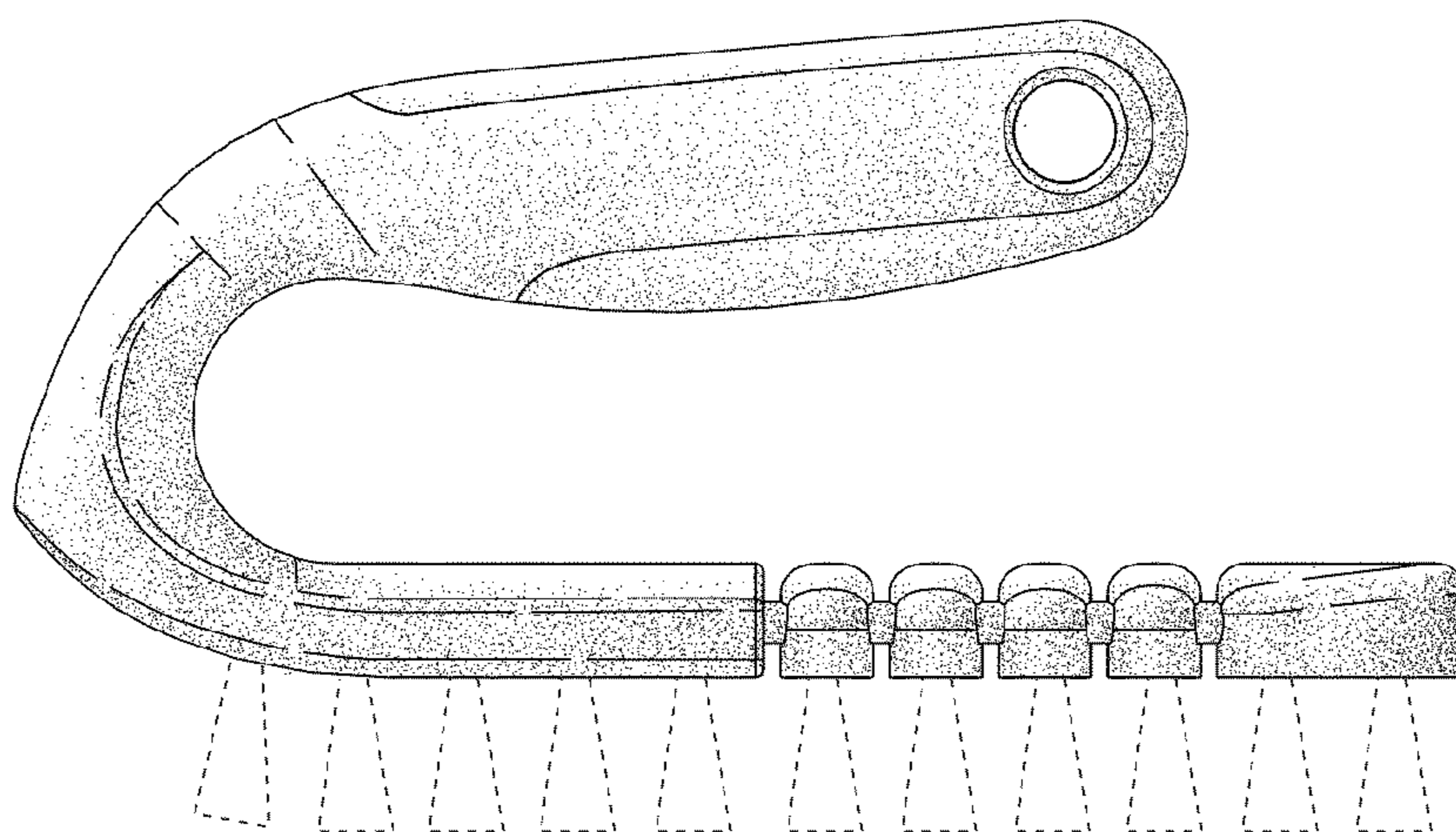


Fig. 5

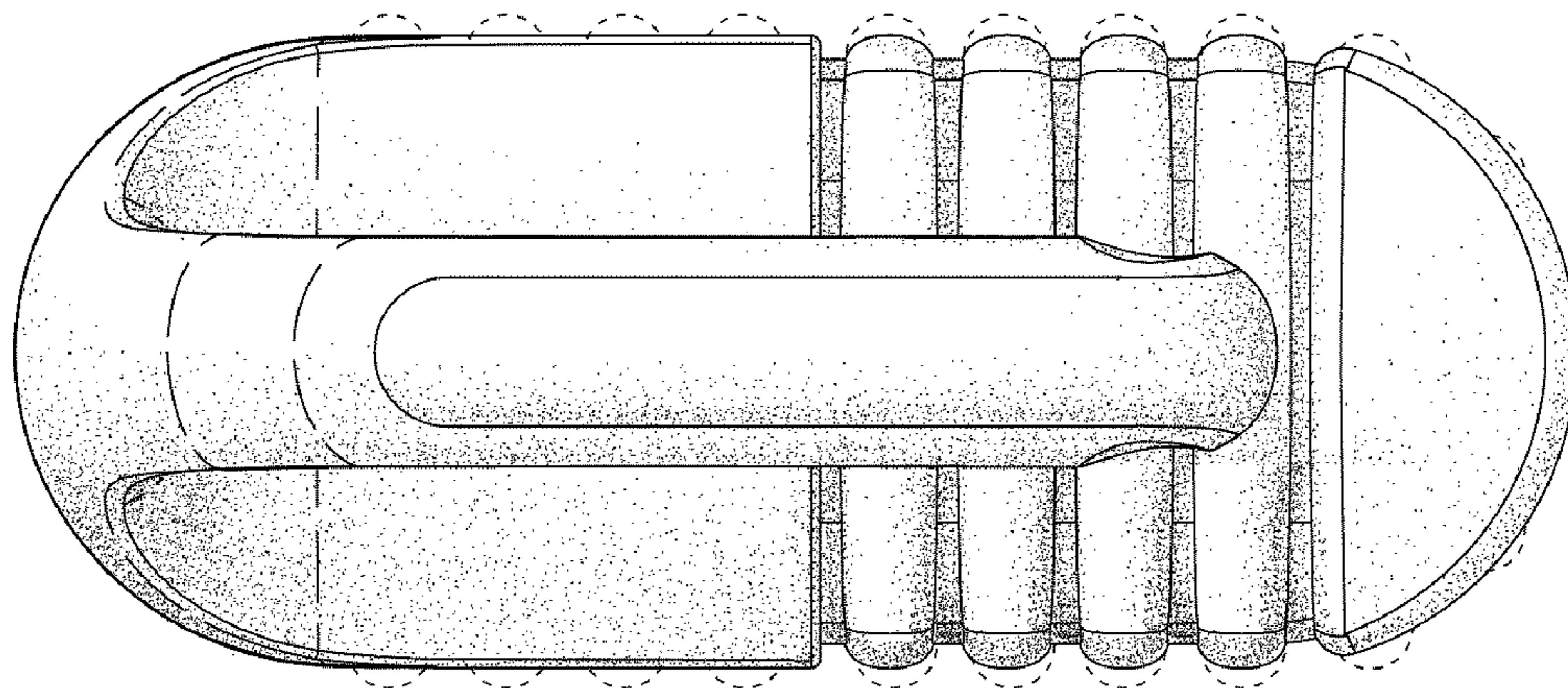


Fig. 6

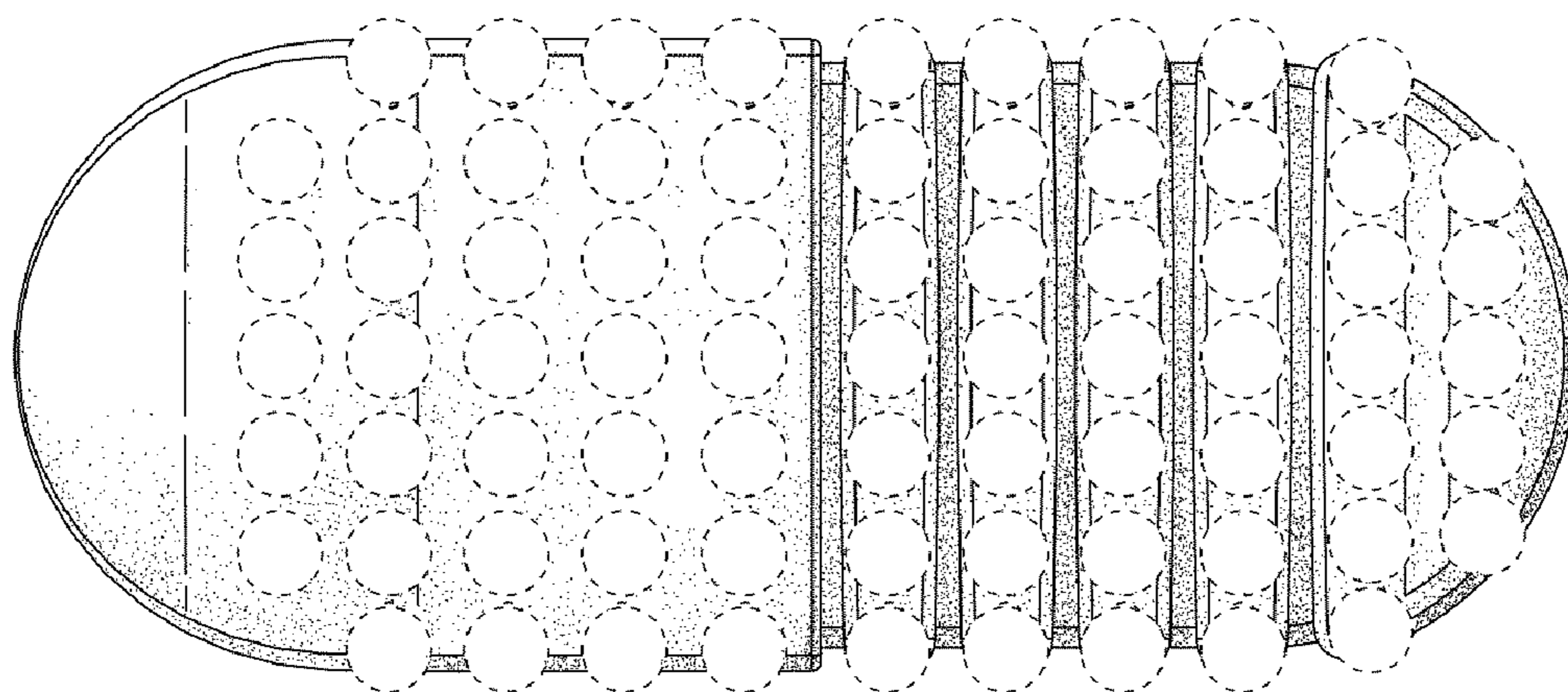


Fig. 7