



US00D630435S

(12) **United States Design Patent**
Brunner

(10) **Patent No.:** **US D630,435 S**

(45) **Date of Patent:** **** Jan. 11, 2011**

(54) **TOOL BOX**

(75) Inventor: **Yaron Brunner**, Timrat (IL)

(73) Assignee: **Keter Plastic Ltd.**, Herzelyia (IL)

(**) Term: **14 Years**

(21) Appl. No.: **29/360,843**

(22) Filed: **Apr. 30, 2010**

(51) **LOC (9) Cl.** **03-01**

(52) **U.S. Cl.** **D3/276; D3/905**

(58) **Field of Classification Search** D3/272-273,
D3/276, 281-282, 291, 294, 302, 307, 905;
D9/420, 423-426, 429, 432; 190/19, 24;
206/349, 372-373; 312/902

See application file for complete search history.

(56) **References Cited**

U.S. PATENT DOCUMENTS

D286,937 S *	11/1986	Schafer	D3/272
D326,775 S *	6/1992	Skillius	D3/281
D330,162 S *	10/1992	Verchere	D3/281
D376,259 S *	12/1996	Dickinson et al.	D3/273
D382,112 S *	8/1997	Egan	D3/273
D382,114 S *	8/1997	Dickinson et al.	D3/279
D403,176 S *	12/1998	Harper	D6/440

D404,916 S *	2/1999	Dickinson et al.	D3/281
D429,565 S *	8/2000	Aiken	D3/302
D440,401 S *	4/2001	Pauser et al.	D3/276
D471,711 S *	3/2003	Addison	D3/281
D496,531 S *	9/2004	Einav et al.	D3/276
D505,011 S *	5/2005	Einav	D3/274

* cited by examiner

Primary Examiner—Charles A Rademaker

Assistant Examiner—Charles D Hanson

(74) *Attorney, Agent, or Firm*—The Nath Law Group;
Susanne M. Hopkins; Jiaziao Zhang

(57) **CLAIM**

The ornamental design for a tool box, as shown and described.

DESCRIPTION

FIG. 1 is a front perspective view of a tool box, shown in a closed position;

FIG. 2 is a front view of the tool box shown in FIG. 1;

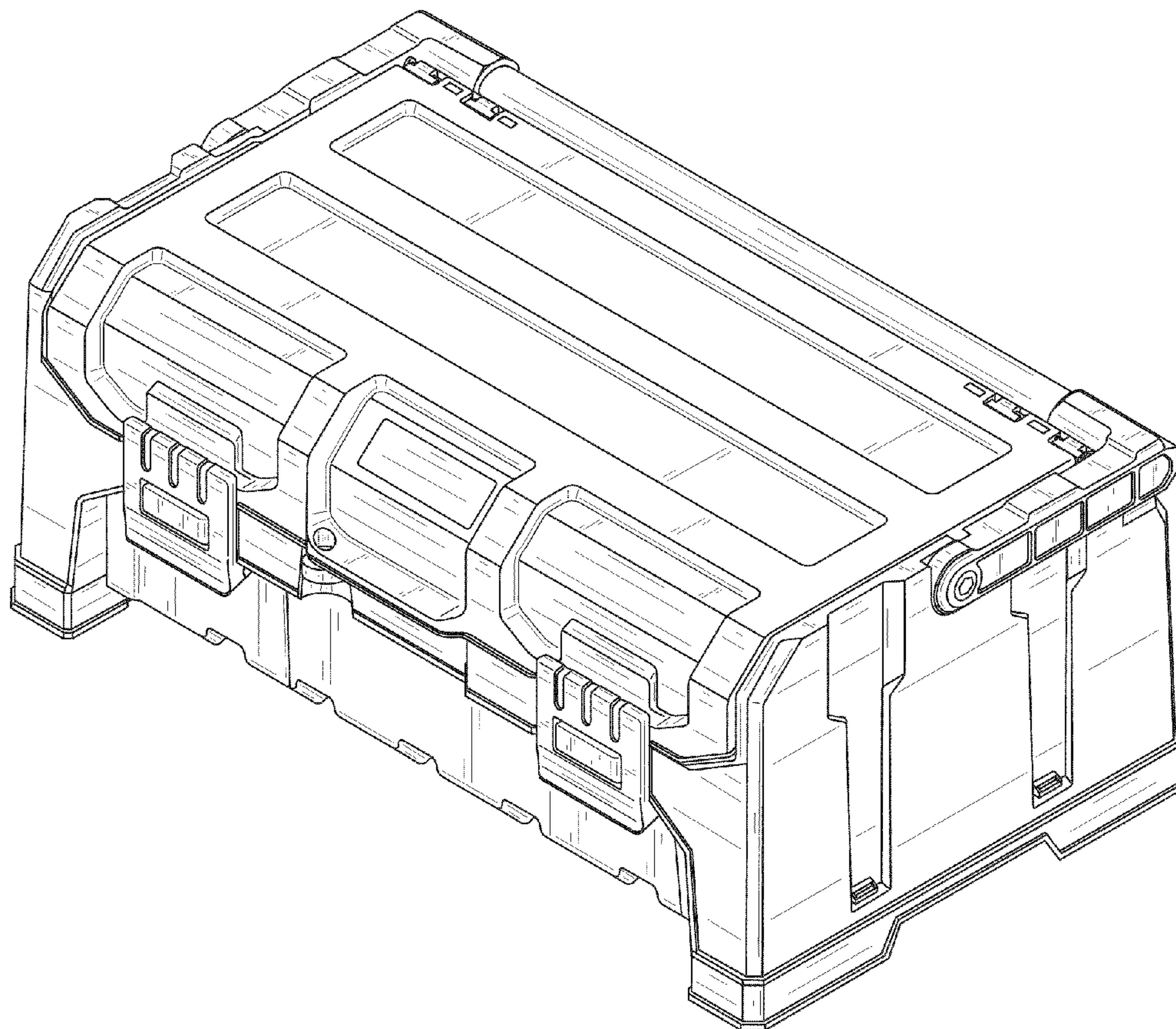
FIG. 3 is a rear view of the tool box shown in FIG. 1;

FIG. 4 is a left side view of the tool box shown in FIG. 1;

FIG. 5 is a right side view of the tool box shown in FIG. 1; and,

FIG. 6 is a top view of the tool box shown in FIG. 1.

1 Claim, 6 Drawing Sheets



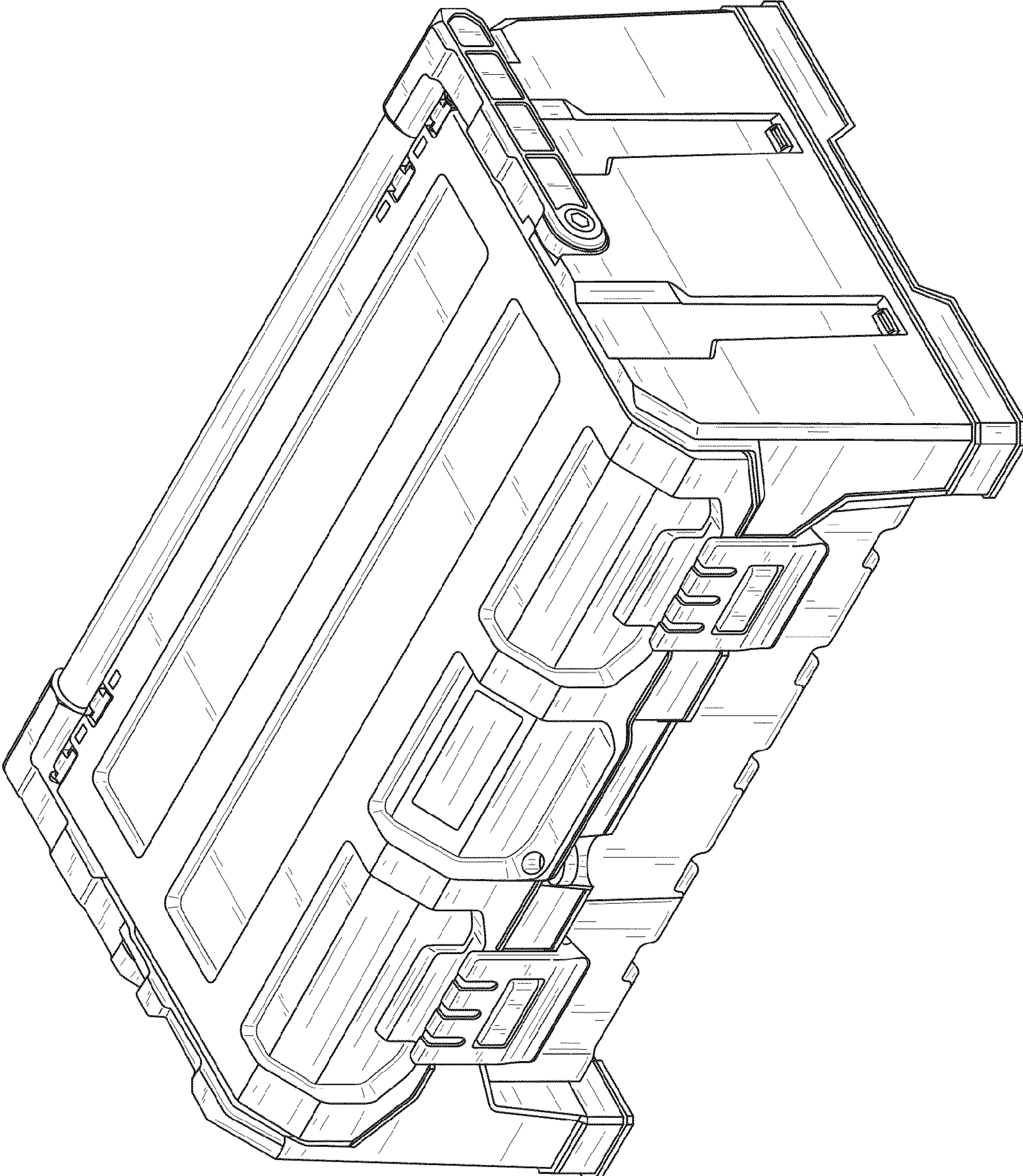


FIG. 1

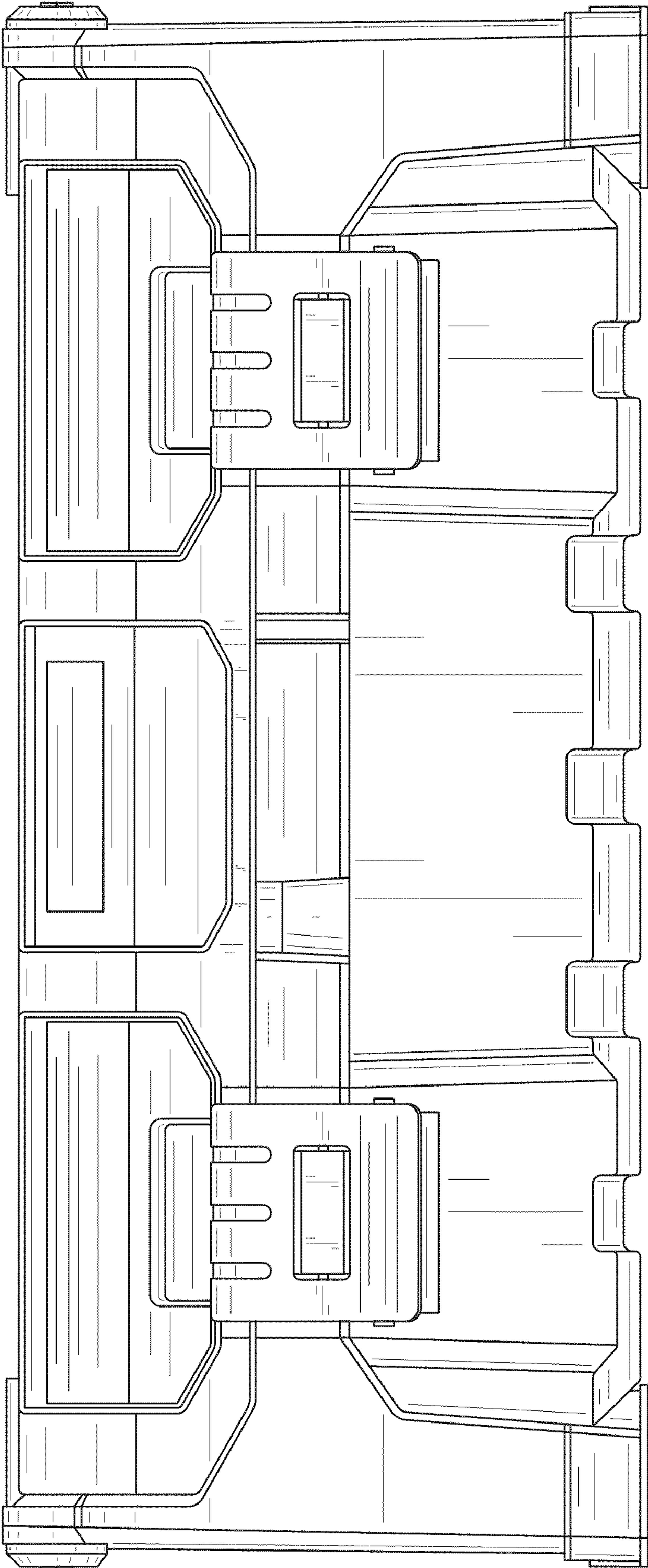


FIG. 2

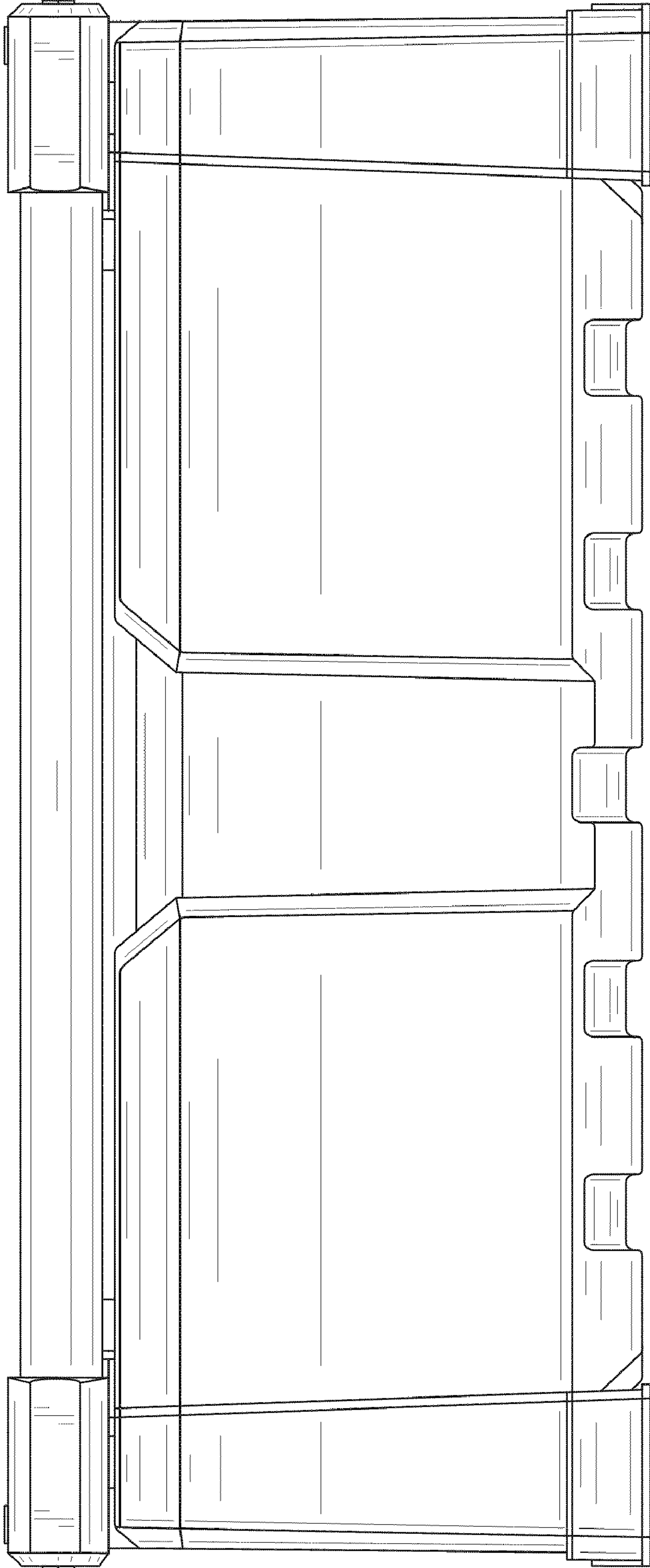


FIG. 3

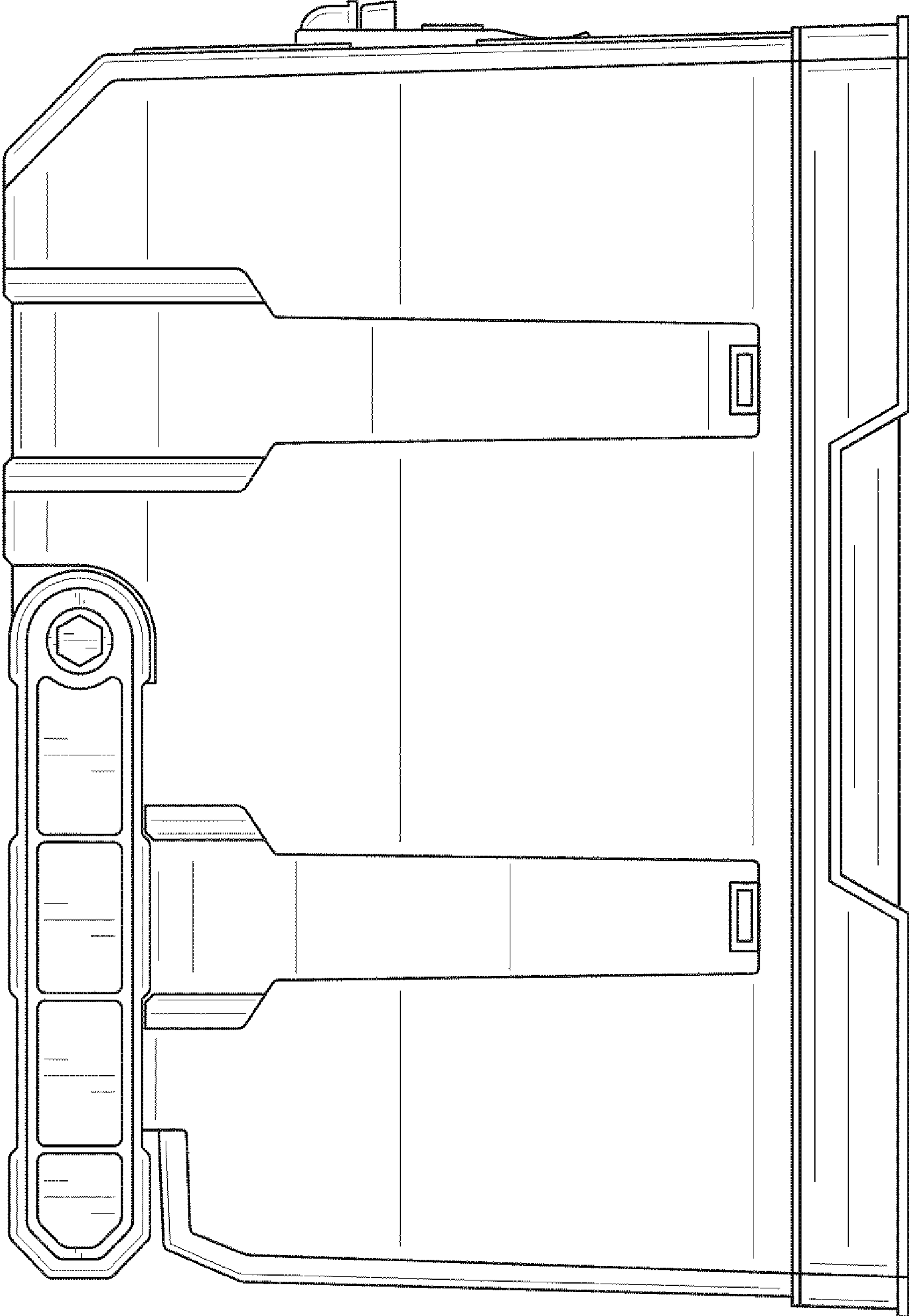


FIG. 4

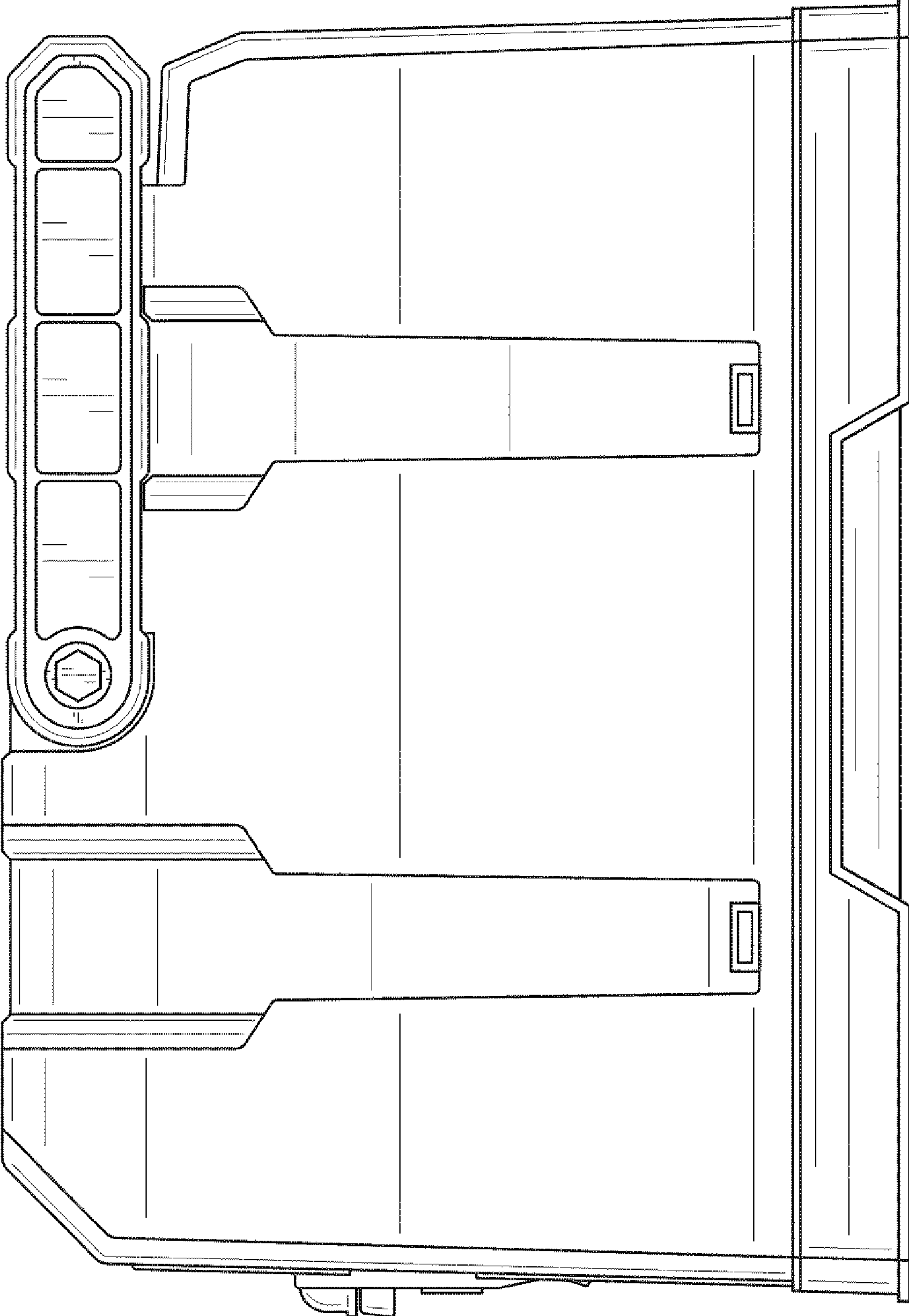


FIG. 5

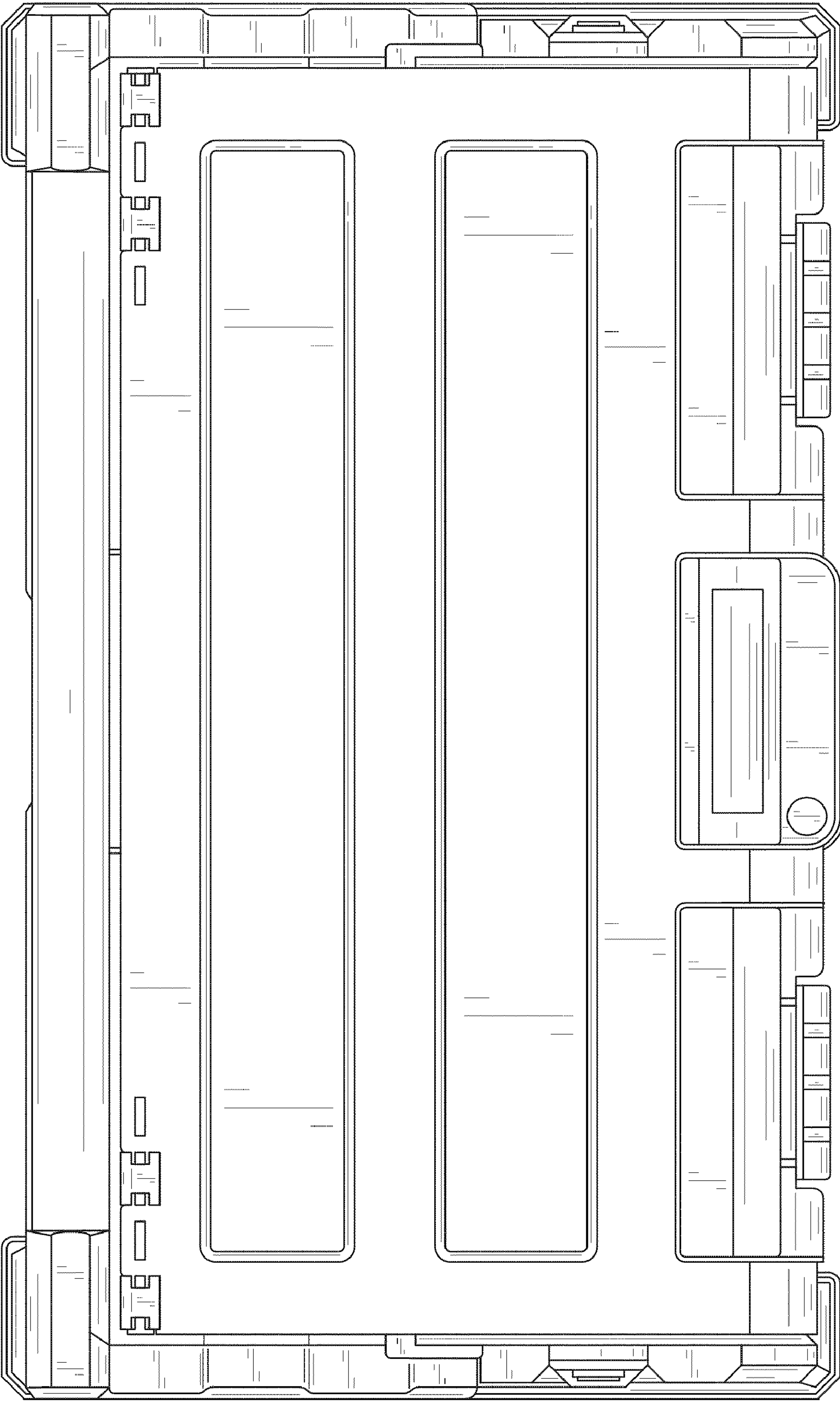


FIG. 6