



US00D630417S

(12) **United States Design Patent**  
**Schmelzer**

(10) **Patent No.:** **US D630,417 S**  
(45) **Date of Patent:** **\*\* Jan. 11, 2011**

- (54) **HAT BRIM**
- (75) Inventor: **Ronald Schmelzer**, Baltimore, MD (US)
- (73) Assignee: **Zoptopz, inc.**, Baltimore, MD (US)
- (\*\*) Term: **14 Years**
- (21) Appl. No.: **29/361,073**
- (22) Filed: **May 5, 2010**

**Related U.S. Application Data**

- (63) Continuation-in-part of application No. 29/342,254, filed on Aug. 20, 2009, now Pat. No. Des. 621,140.

- (51) **LOC (9) Cl.** ..... **02-03**
- (52) **U.S. Cl.** ..... **D2/893**
- (58) **Field of Classification Search** ..... D2/865, D2/866, 868, 869, 870, 871, 872, 873, 874, D2/875, 876, 877, 878, 879, 880, 881, 882, D2/883, 884, 886, 891, 893; D29/109; 2/10, 2/12, 15, 171, 175.1, 175.2, 175.5, 181, 195.1, 2/195.2, 195.3, 195.4, 195.6, 195.7, 200.1, 2/200.2, 209.11, 209.12, 209.13

See application file for complete search history.

(56) **References Cited**

**U.S. PATENT DOCUMENTS**

- 446,762 A \* 2/1891 Tuch ..... 2/181
- 893,548 A 7/1908 Rosenfeld
- 2,441,659 A \* 5/1948 Chalmers ..... 2/12
- 2,828,487 A \* 4/1958 McNeill et al. .... 383/3
- D262,410 S 12/1981 Madison
- 5,091,995 A 3/1992 Oates
- 5,253,364 A 10/1993 Robinson
- 5,343,567 A 9/1994 Zumbiel
- D352,379 S 11/1994 Pierce
- 5,381,559 A 1/1995 Wakefield
- 5,450,629 A 9/1995 Gilstrap
- D363,596 S 10/1995 Martinez
- 5,457,821 A 10/1995 Kiefer
- D373,894 S 9/1996 Turner
- 5,603,121 A 2/1997 Borkovic et al.

- D387,543 S 12/1997 Schryver
- D394,341 S 5/1998 Halmo
- D396,941 S 8/1998 Olajide
- D396,945 S 8/1998 Glass
- 5,845,339 A 12/1998 Ashley et al.
- D407,890 S 4/1999 Frank
- 5,898,935 A 5/1999 Davis
- D413,708 S 9/1999 Schleh
- D415,604 S 10/1999 Schleh
- D419,752 S 2/2000 Hathaway
- 6,088,837 A 7/2000 Baker
- 6,237,156 B1 5/2001 Ellman et al.
- 6,311,331 B1 11/2001 Park
- 6,357,051 B1 3/2002 Lee
- D455,247 S 4/2002 DeChambeau
- RE38,160 E 7/2003 Soergel

(Continued)

*Primary Examiner*—Elizabeth A Albert  
*Assistant Examiner*—Karen E Eldridge Powers  
(74) *Attorney, Agent, or Firm*—Womble Carlyle Sandridge & Rice, PLLC

(57) **CLAIM**

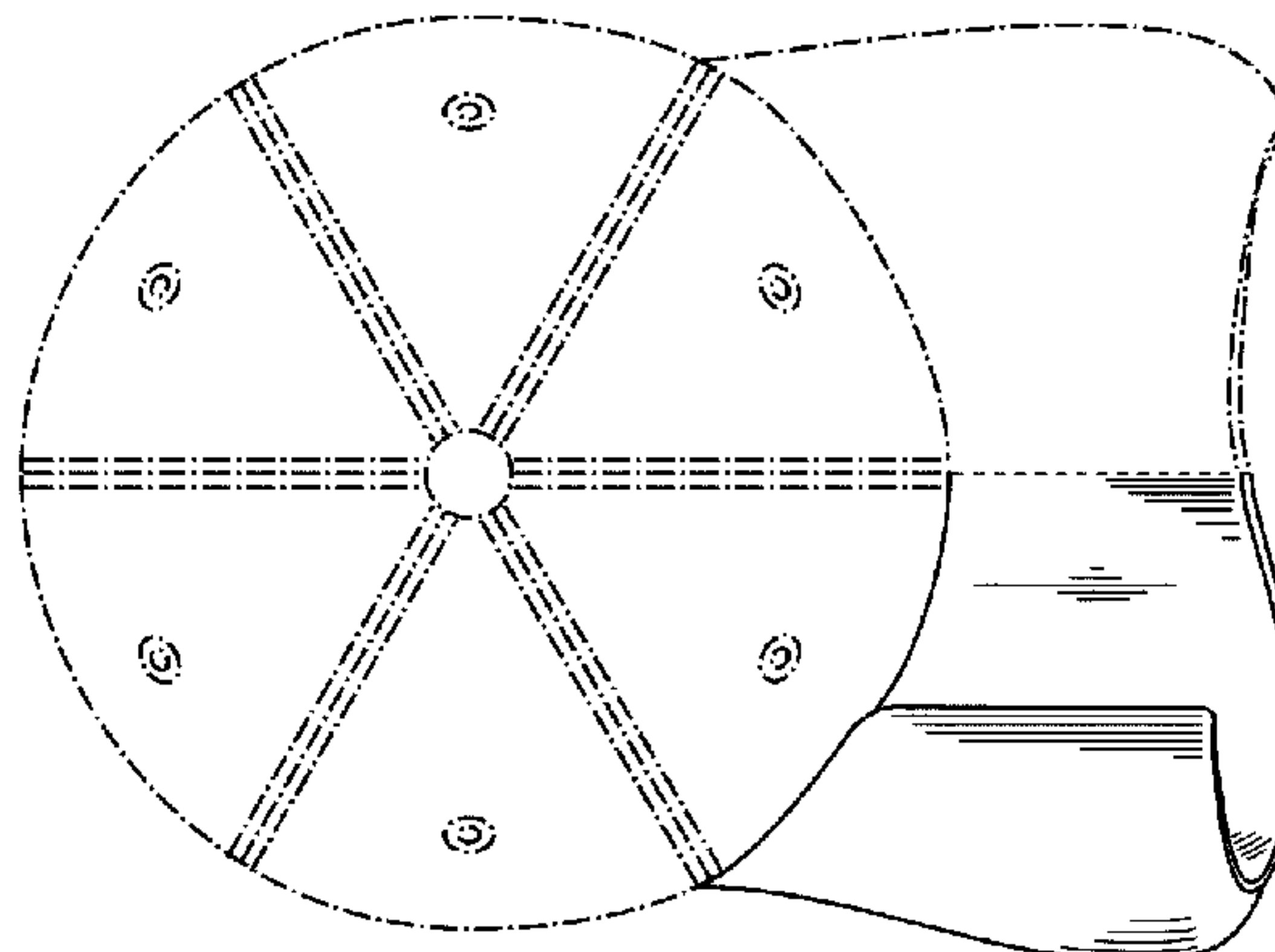
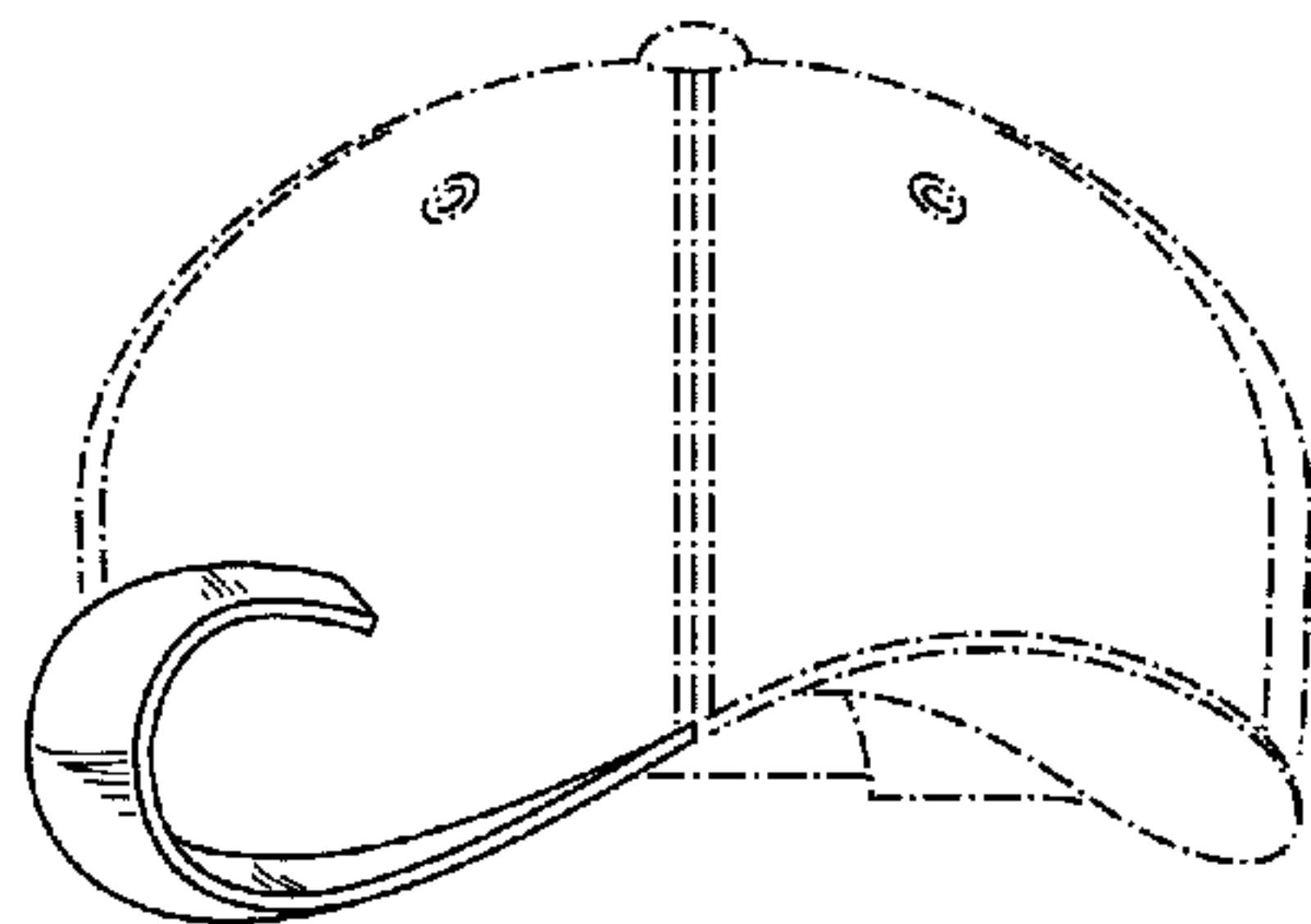
The ornamental design for a hat brim, as shown and described.

**DESCRIPTION**

FIG. 1 is a front view of a hat brim showing my new design; FIG. 2 is a right side view thereof; FIG. 3 is a left side view thereof; FIG. 4 is a top view thereof; and, FIG. 5 is a bottom view thereof.

The features shown in broken lines in the Figures illustrate environmental matter and form no part of the claimed design. The dashed lines shown in FIGS. 4 and 5, which define the bounds of the claimed design, form no part of the claimed design.

**1 Claim, 3 Drawing Sheets**



# US D630,417 S

Page 2

---

## U.S. PATENT DOCUMENTS

D477,453 S	7/2003	Noble	D552,332 S	10/2007	Saveliev
6,721,961 B2	4/2004	Park	D554,829 S	11/2007	Saveliev
6,735,782 B2	5/2004	Park	D568,029 S	5/2008	Niles
6,745,395 B2	6/2004	Noble	D568,583 S	5/2008	Niles
D498,572 S	11/2004	Si	D578,739 S	10/2008	Schussleder
D501,704 S	2/2005	Hathaway	D578,740 S	10/2008	Schussleder
6,990,692 B1	1/2006	Park	2004/0000004 A1	1/2004	Wang
D522,822 S	6/2006	Dighton et al.	2004/0123376 A1	7/2004	Wang
D529,262 S	10/2006	Yan	2004/0194192 A1	10/2004	Cho
7,137,146 B2	11/2006	Yan	2006/0107440 A1	5/2006	Keffer
7,152,251 B2	12/2006	Yan	2006/0117459 A1	6/2006	Miller
D543,014 S	5/2007	Sharpe et al.	2006/0143793 A1	7/2006	Liao
D543,338 S	5/2007	Park	2007/0283478 A1	12/2007	Frid et al.
D551,827 S	10/2007	Saveliev	2008/0028498 A1	2/2008	Beheton
D552,330 S	10/2007	Saveliev	2008/0047048 A1	2/2008	Kwon
D552,331 S	10/2007	Saveliev	2009/0064394 A1	3/2009	White

\* cited by examiner

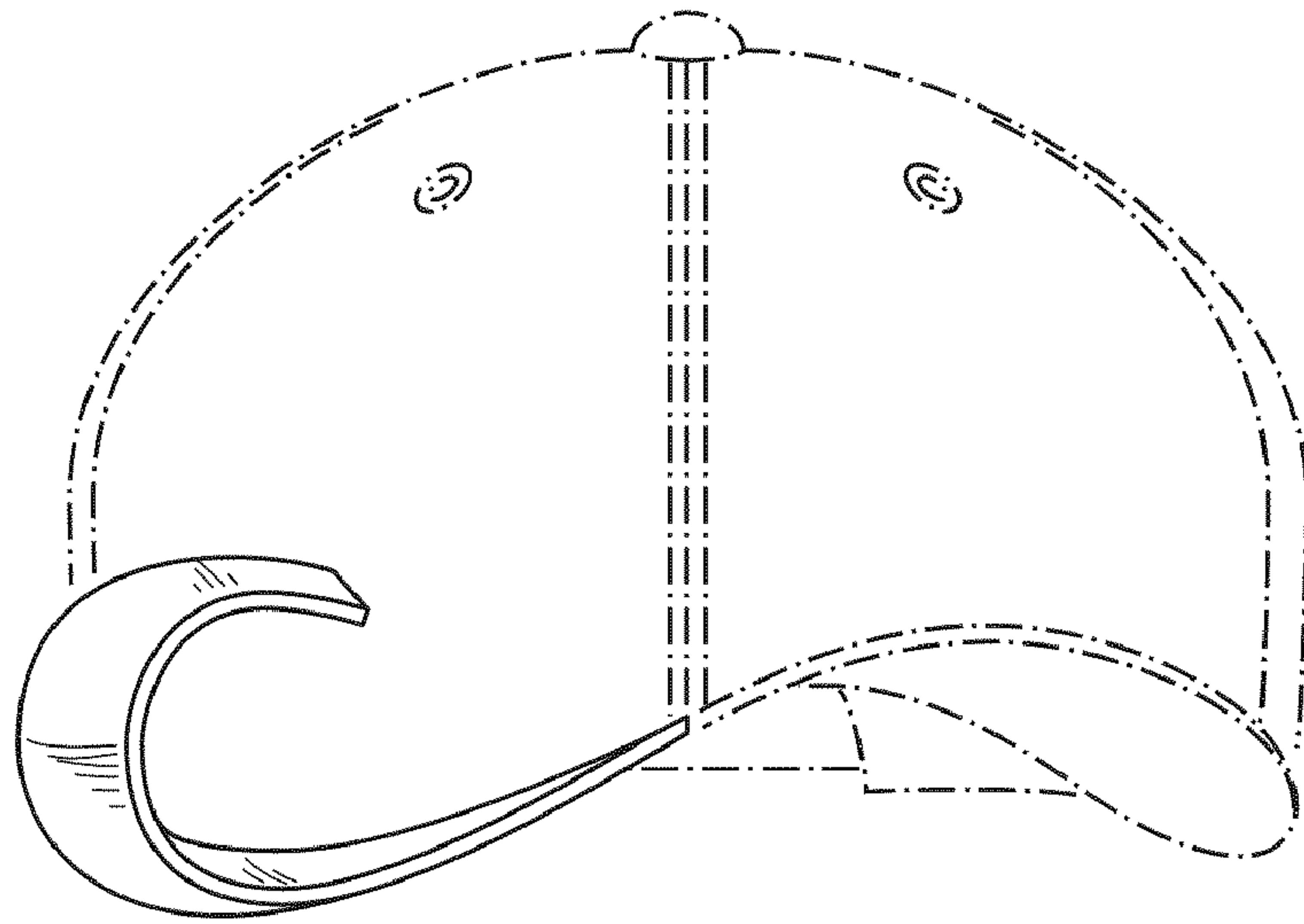


FIG. 1

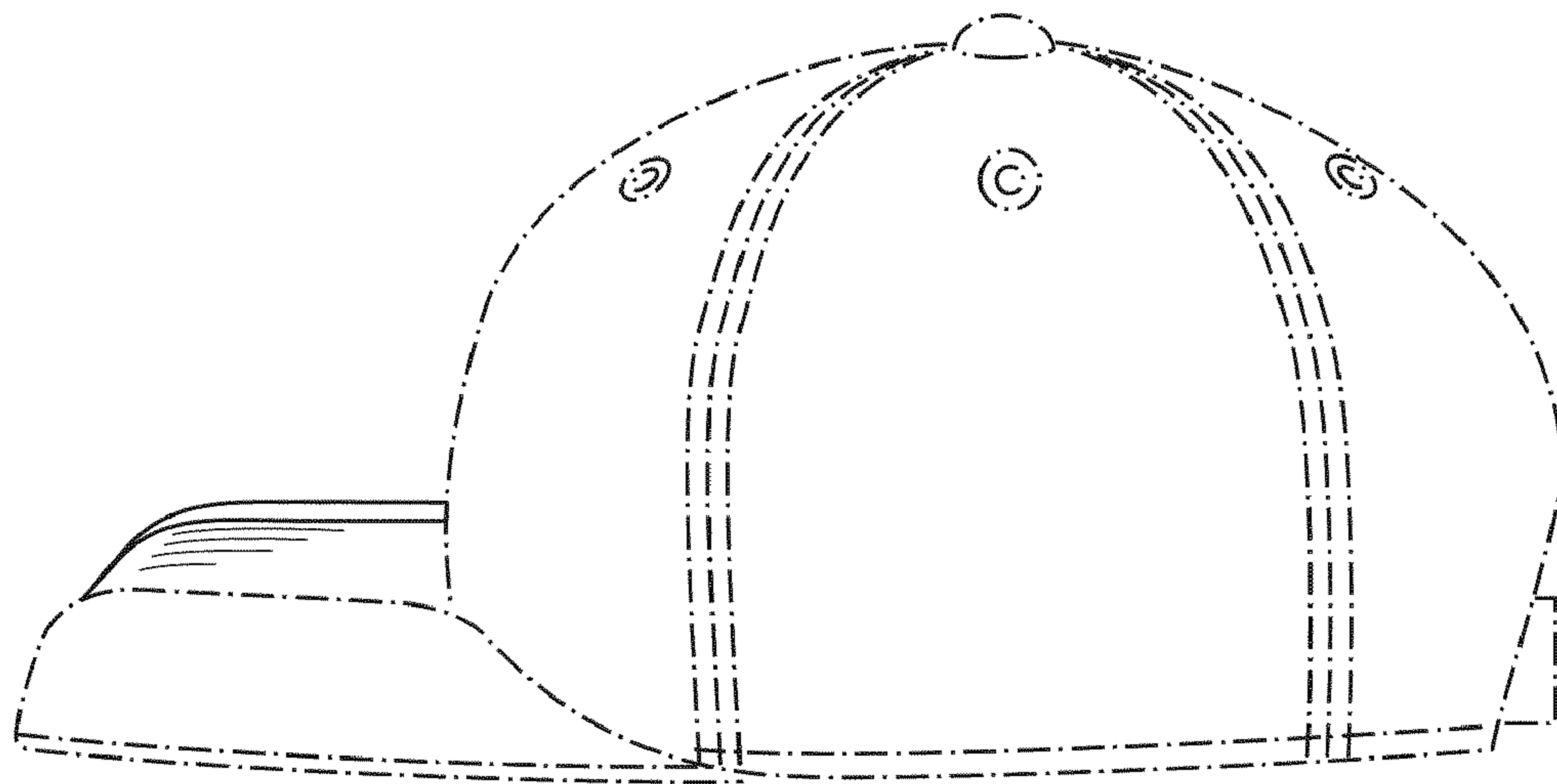


FIG. 2

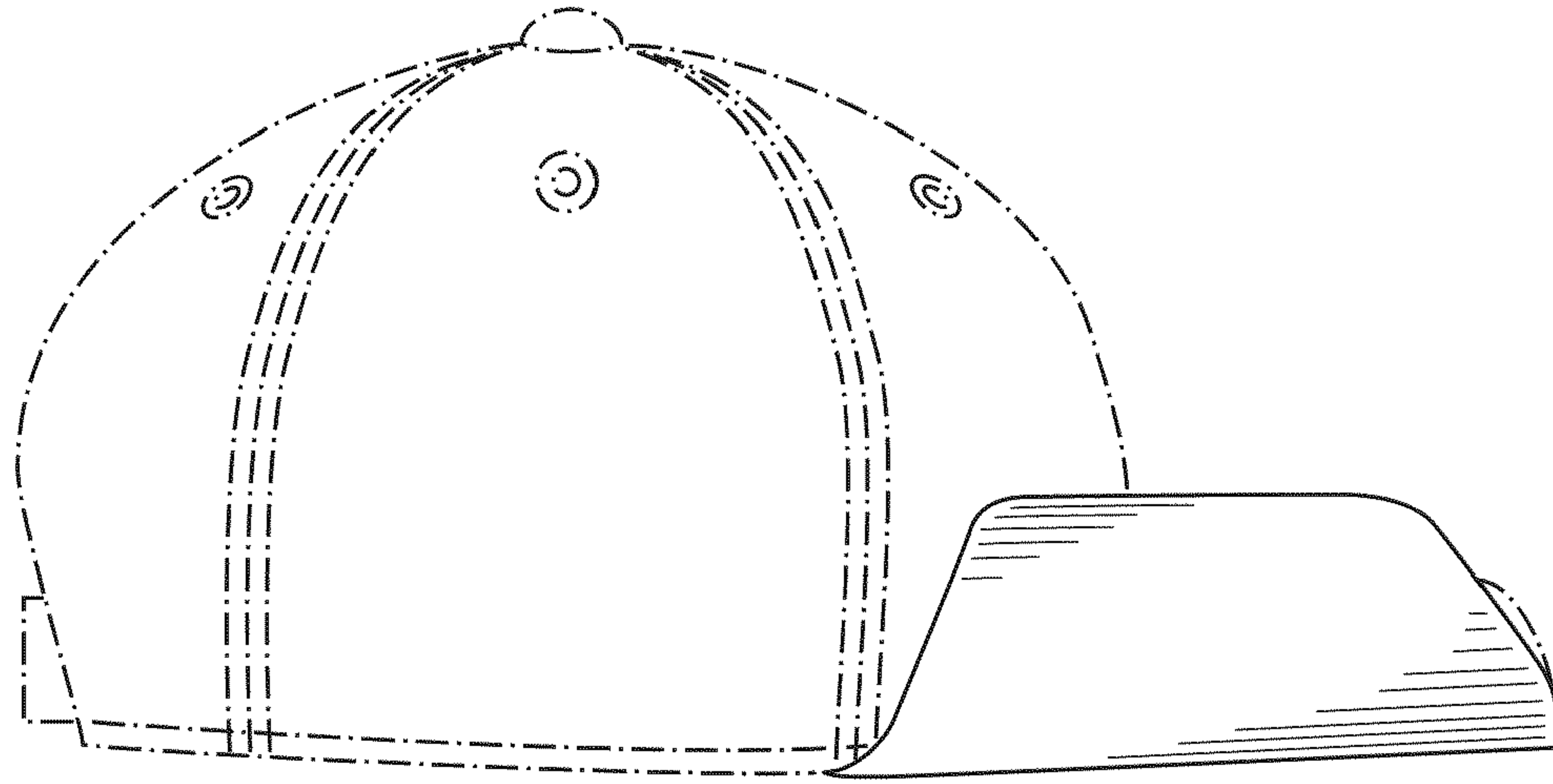


FIG. 3

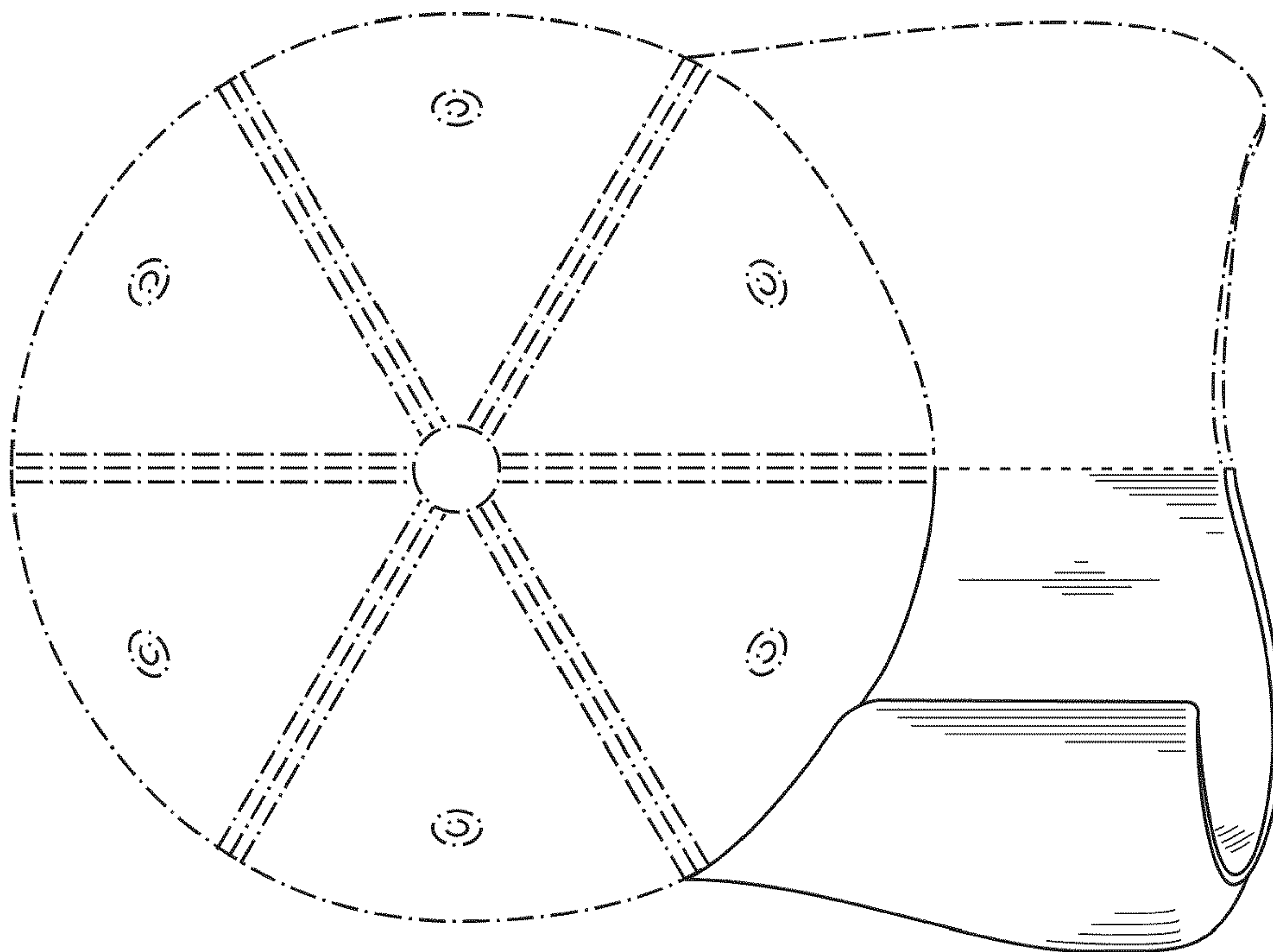


FIG. 4

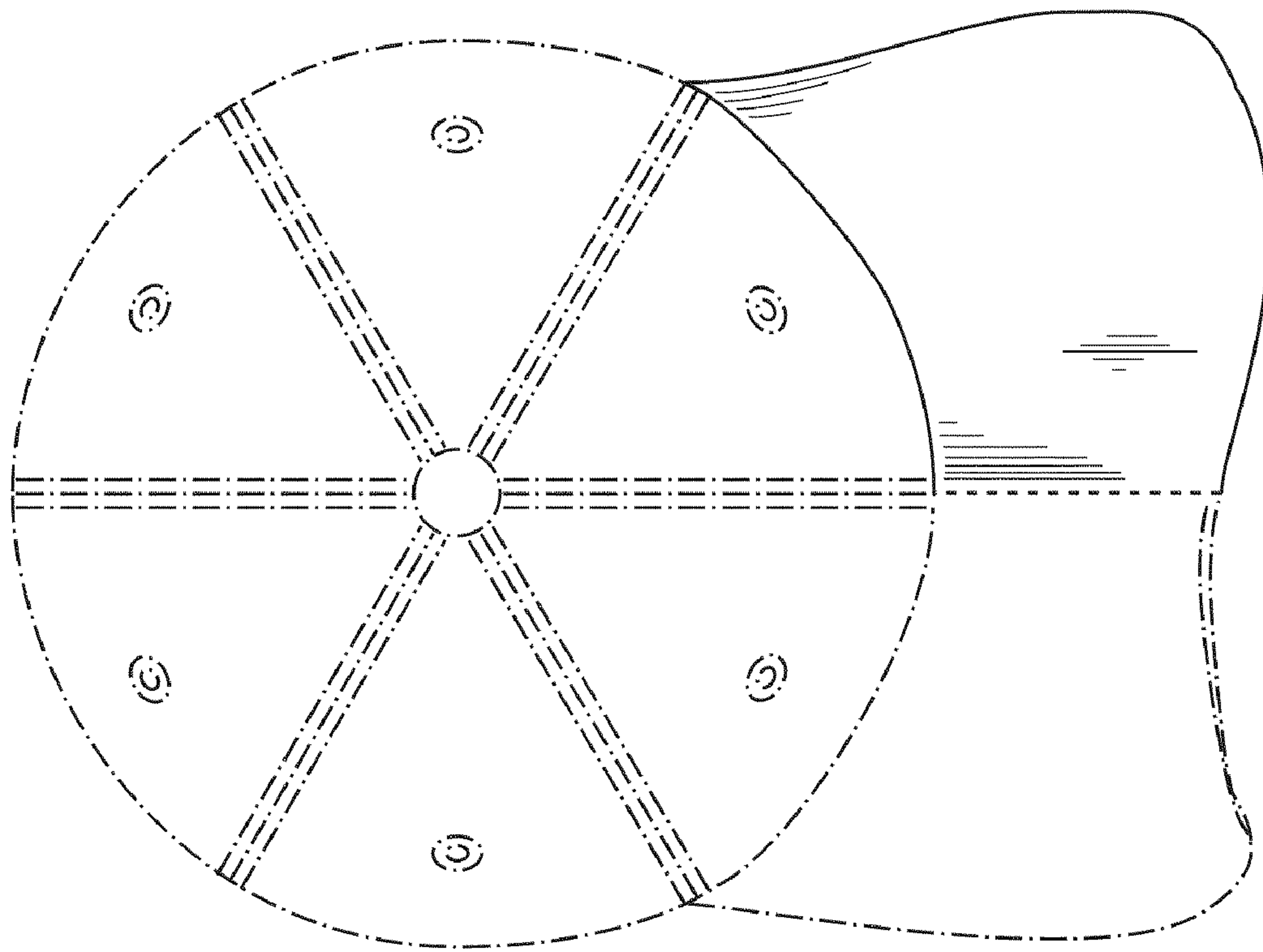


FIG. 5