

US00D630405S

(12) **United States Design Patent**
Healy

(10) **Patent No.:** **US D630,405 S**

(45) **Date of Patent:** **** Jan. 4, 2011**

(54) **HANDLE HOOKING DEVICE**

(76) Inventor: **Thomas Healy**, 10286 Juniper Ave.,
Yucaipa, CA (US) 92399

(**) Term: **14 Years**

(21) Appl. No.: **29/348,404**

(22) Filed: **Dec. 30, 2009**

(51) **LOC (9) Cl.** **09-09**

(52) **U.S. Cl.** **D34/10; D34/27**

(58) **Field of Classification Search** D34/1,
D34/10, 11, 27; 220/908-911; D19/65,
D19/56; D9/434, 435; 280/33.991, 33.992;
D3/215

See application file for complete search history.

(56) **References Cited**

U.S. PATENT DOCUMENTS

D160,050 S *	9/1950	Alexander	D7/667
D191,444 S *	10/1961	Schwartz et al.	D7/620
3,113,677 A *	12/1963	Johnson	224/482
4,993,611 A *	2/1991	Longo	224/148.4
D320,331 S *	10/1991	Paone	D7/620
D358,692 S *	5/1995	Kasbohm	D34/10
D413,769 S *	9/1999	Mason	D7/620
D426,929 S *	6/2000	Karp et al.	D34/27
D447,333 S *	9/2001	Phetthaweebancha	D3/215
D460,983 S *	7/2002	Fiori et al.	D19/56
D496,584 S *	9/2004	Darr et al.	D8/307
D526,538 S *	8/2006	Harris	D7/619.2
D528,870 S *	9/2006	Ryan	D7/620

D586,398 S *	2/2009	Cheng et al.	D19/56
D589,793 S *	4/2009	Christensen et al.	D9/434
D613,921 S *	4/2010	Tsui et al.	D32/52
D617,071 S *	6/2010	Roesner	D34/10
D618,726 S *	6/2010	Cetera	D19/56
2002/0066758 A1 *	6/2002	Fadal et al.	224/148.7
2005/0051690 A1 *	3/2005	Phillips et al.	248/311.2

* cited by examiner

Primary Examiner—Cynthia E Ramirez

(74) *Attorney, Agent, or Firm*—Grant's Law Firm; Allan Grant

(57) **CLAIM**

The ornamental design for a handle hooking device, as shown and described.

DESCRIPTION

FIG. 1 is a side view of the handle hooking device showing my new design;

FIG. 2 is the other side view thereof;

FIG. 3 is a front view thereof;

FIG. 4 is a rear view thereof;

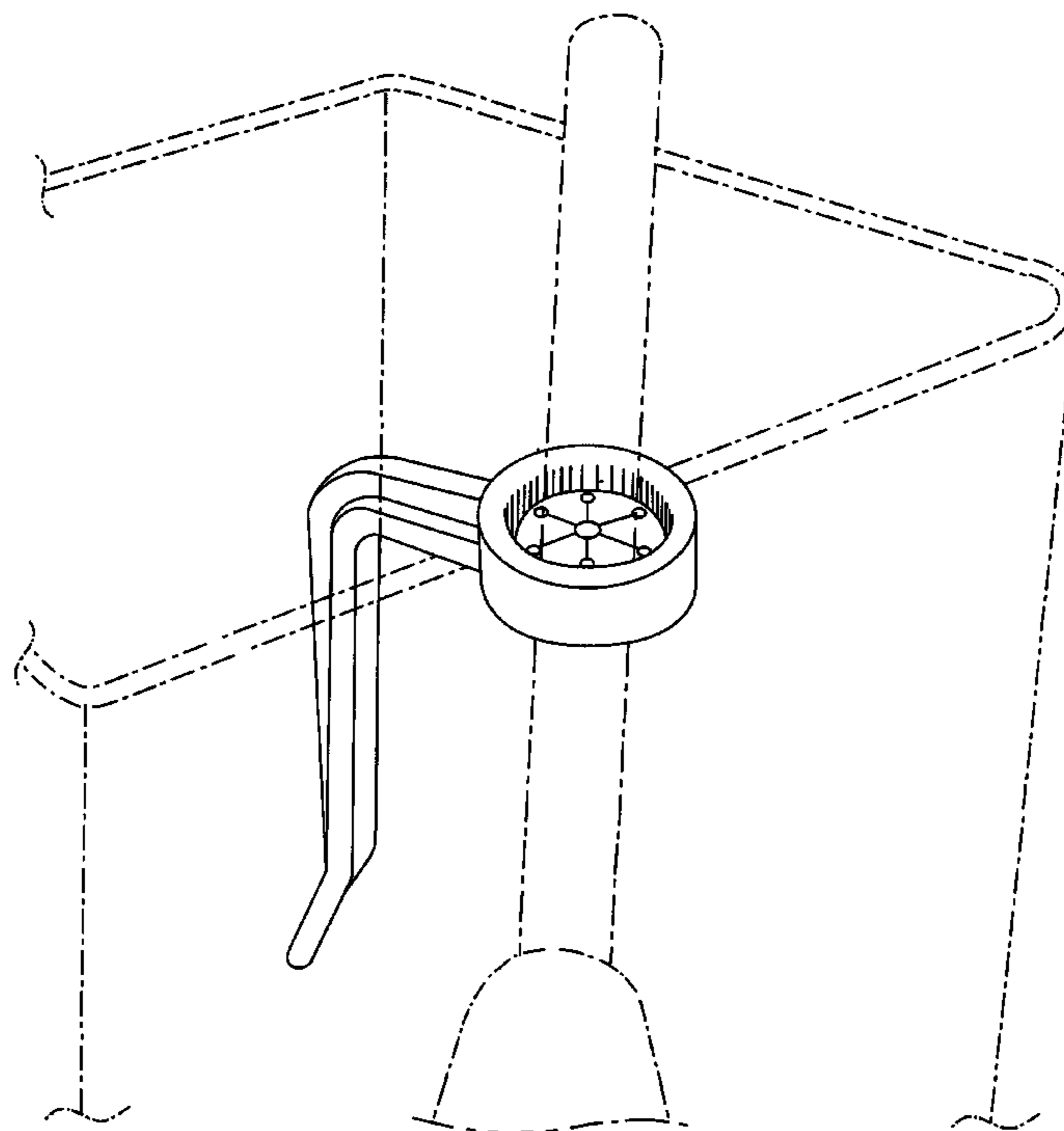
FIG. 5 is a top view thereof;

FIG. 6 is a bottom view thereof; and,

FIG. 7 is an illustrative perspective view thereof.

The broken line showing of a cleaning device handle and a trash can is included for the purpose of illustrating environment and forms no part of the claimed design.

1 Claim, 6 Drawing Sheets



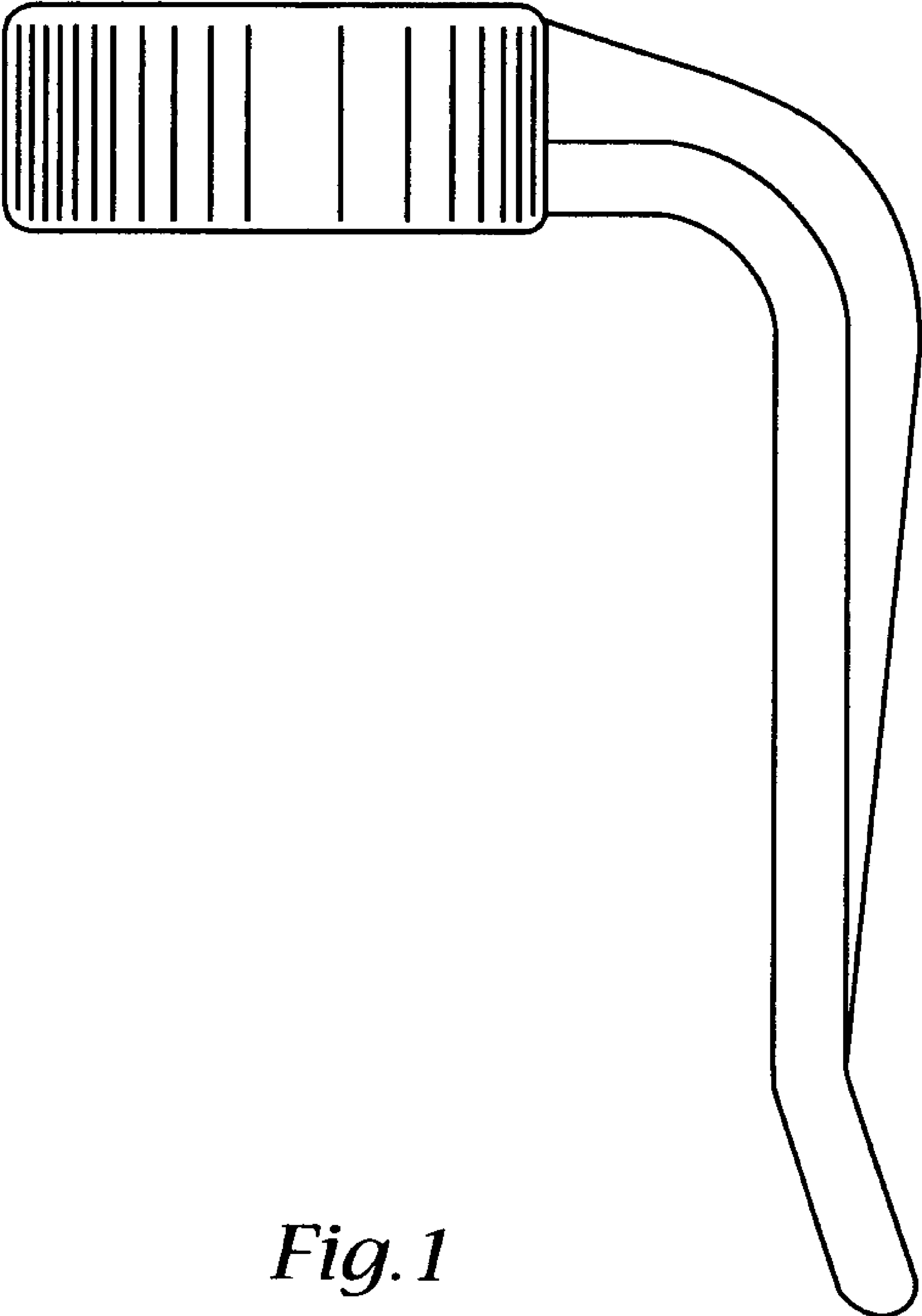


Fig. 1

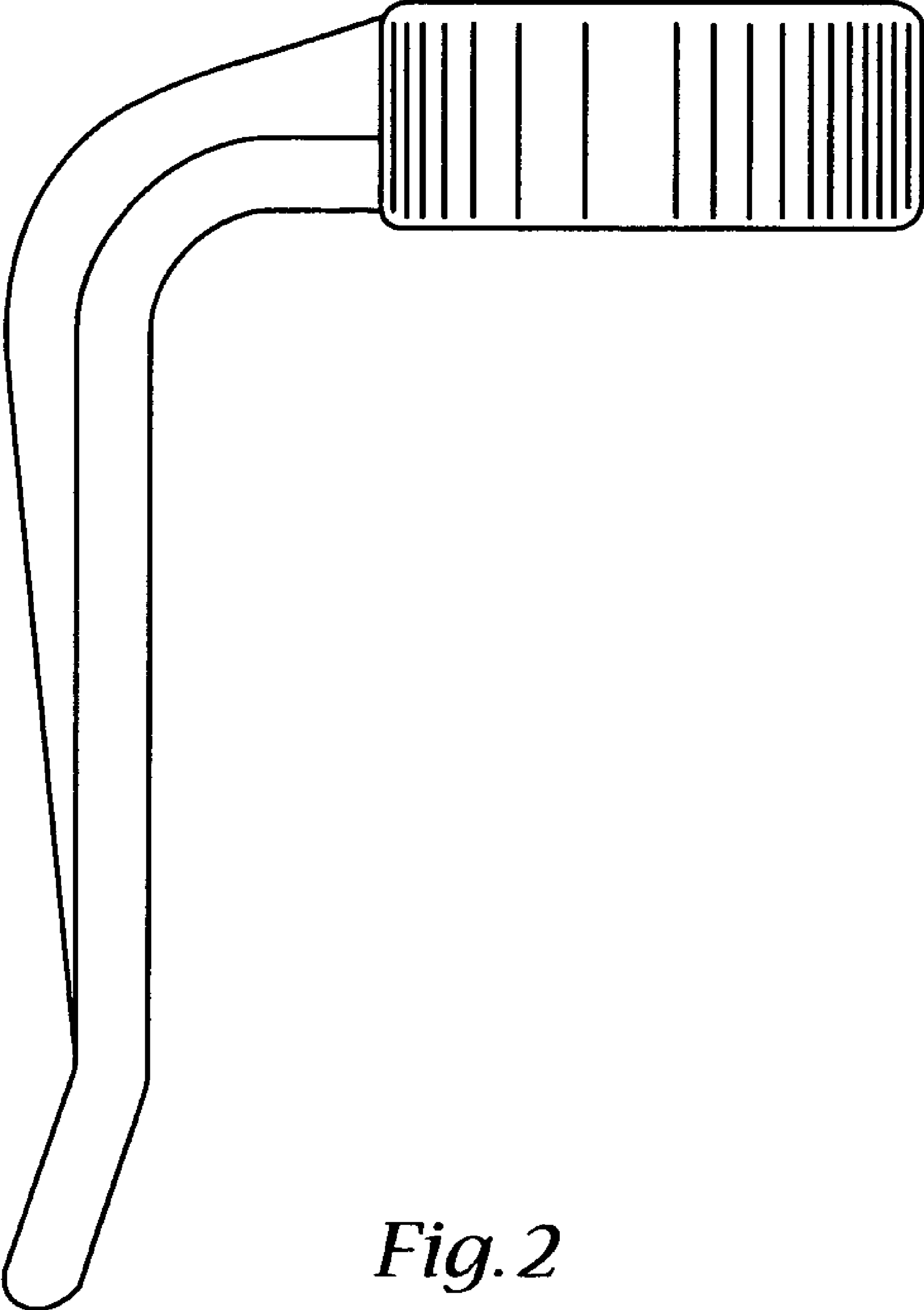


Fig. 2

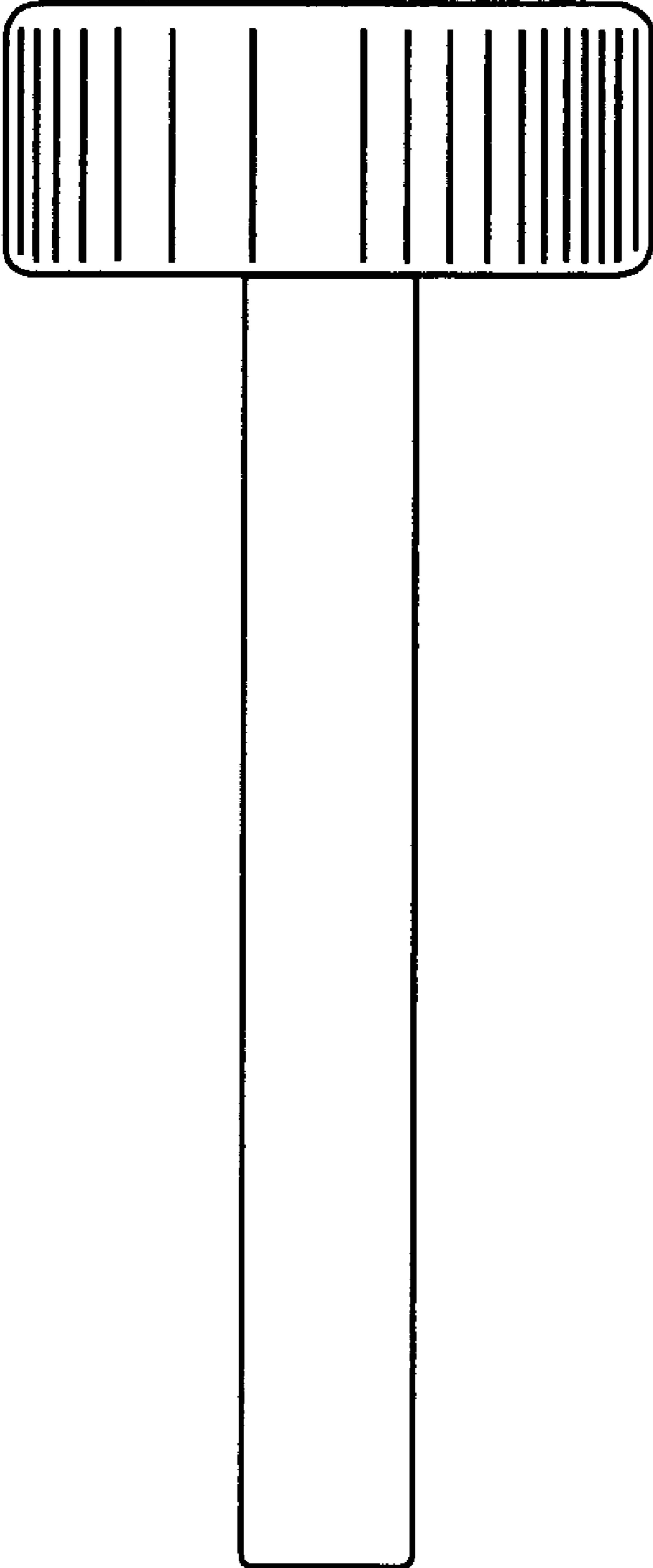


Fig. 3

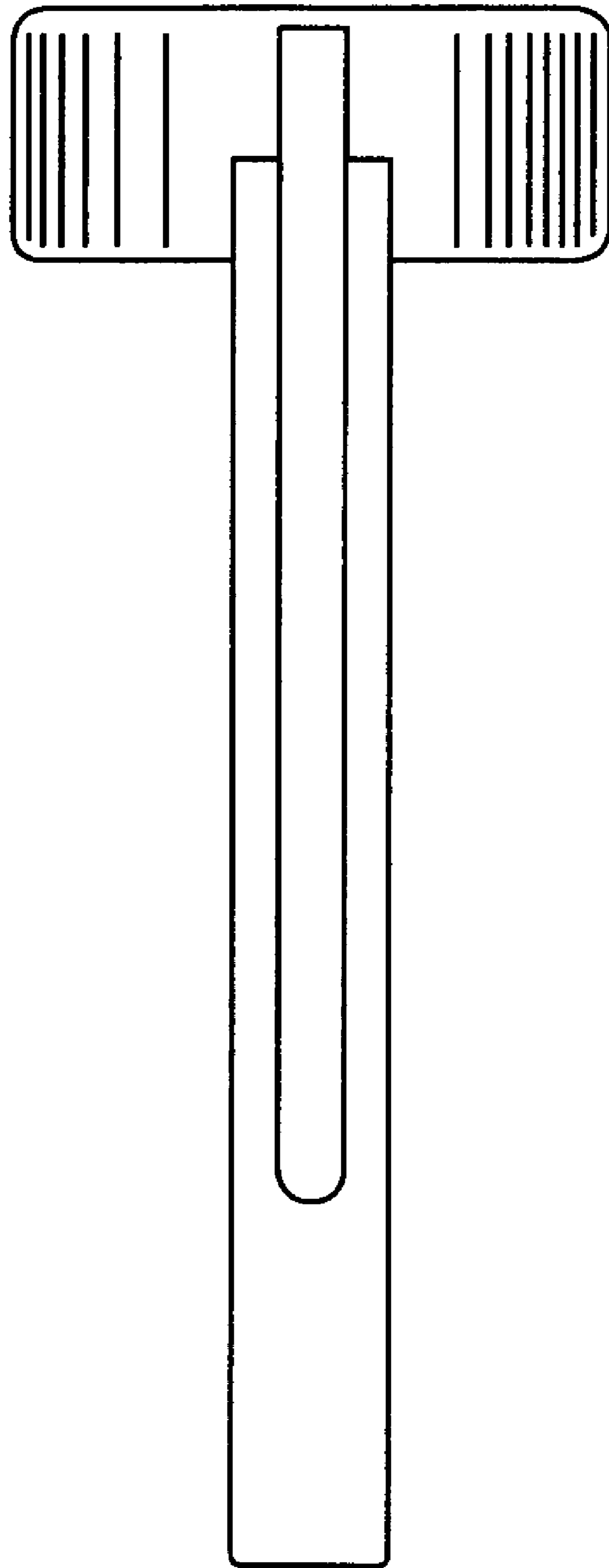


Fig. 4

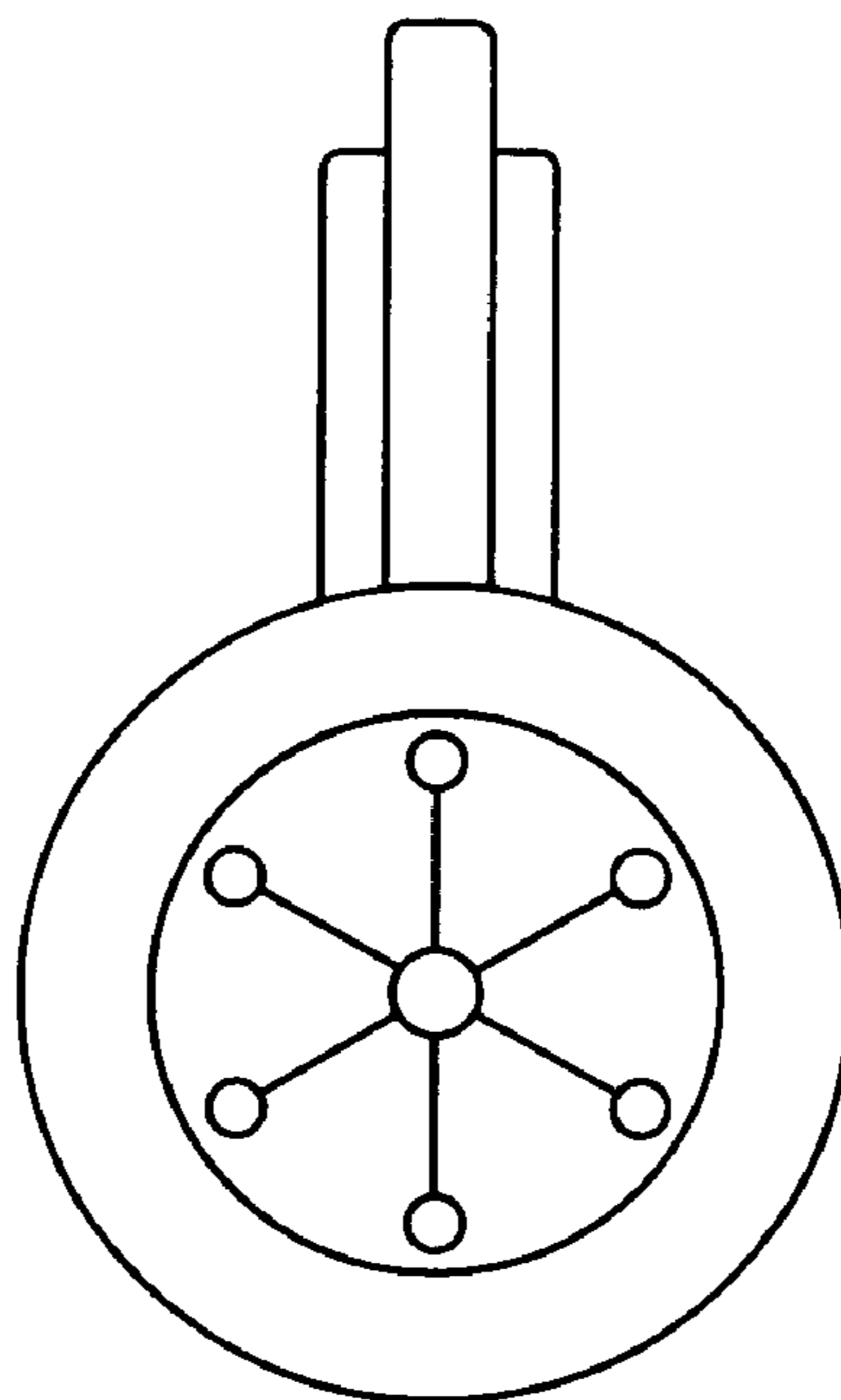


Fig. 5

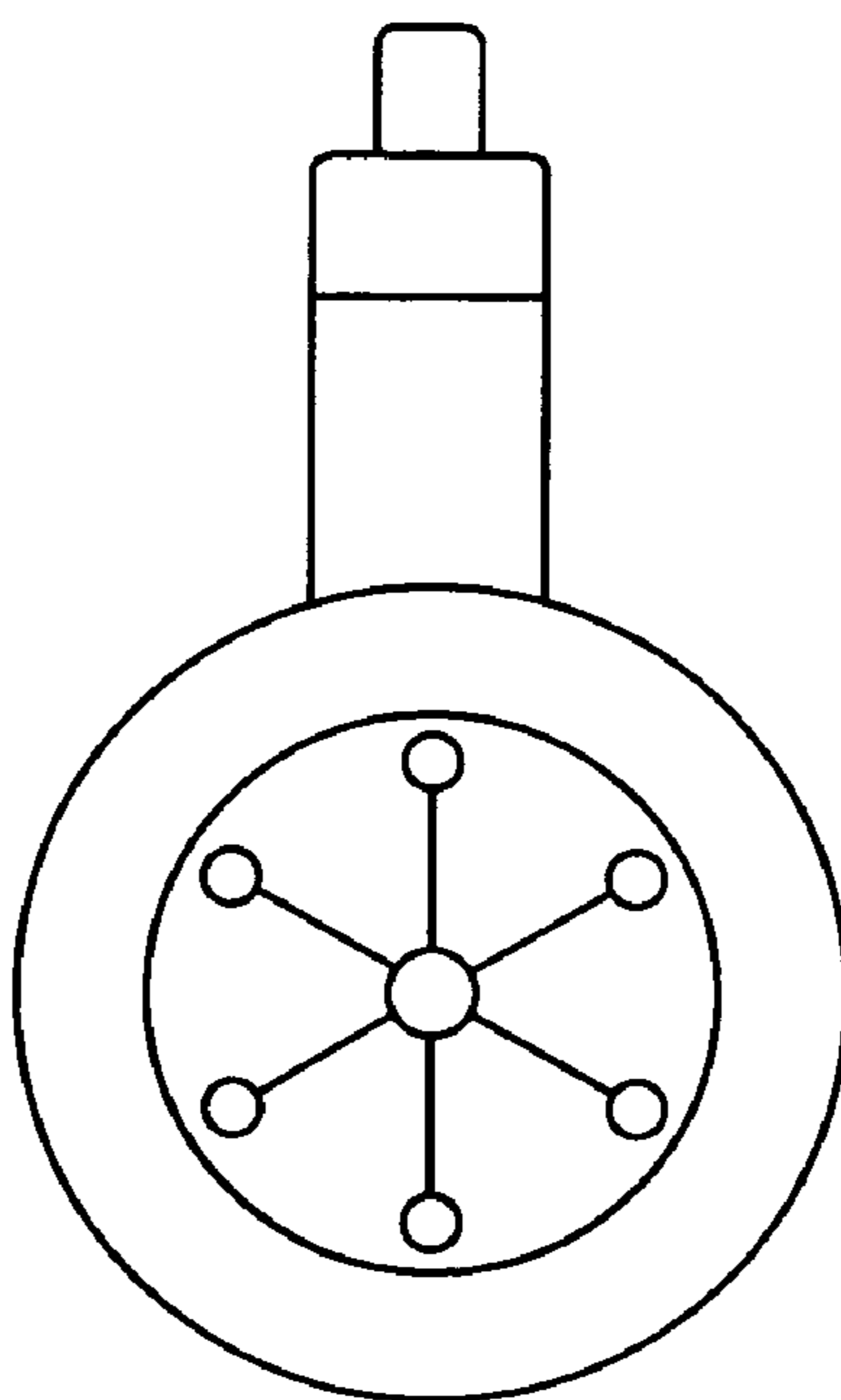


Fig. 6

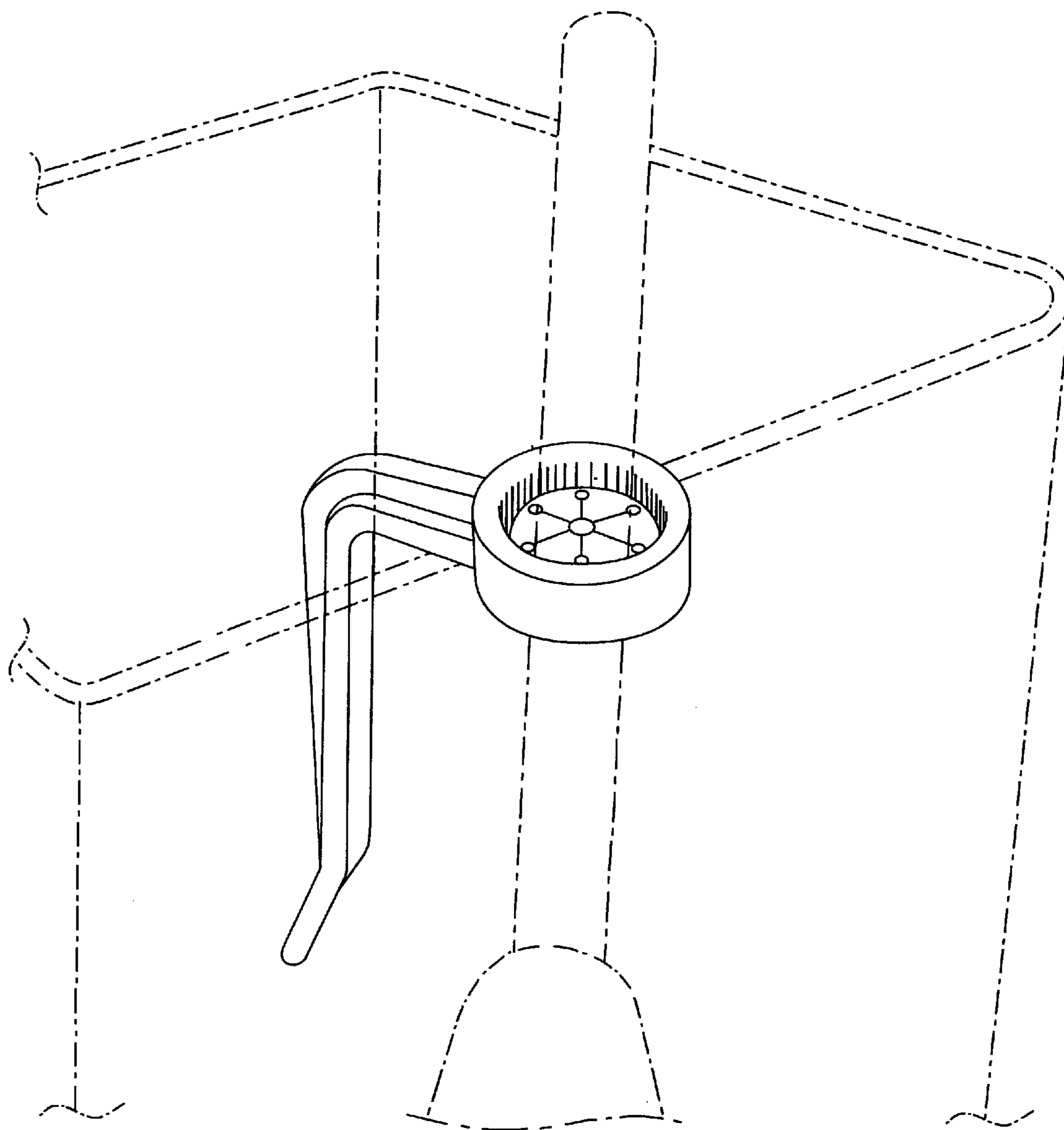


Fig. 7