



US00D630403S

(12) **United States Design Patent**
Raven

(10) **Patent No.:** **US D630,403 S**

(45) **Date of Patent:** **** Jan. 4, 2011**

(54) **DUST PAN**

(75) Inventor: **Meghan M. Raven**, Grand Rapids, MI (US)

(73) Assignee: **BISSELL Homecare, Inc.**, Grand Rapids, MI (US)

(**) Term: **14 Years**

(21) Appl. No.: **29/361,410**

(22) Filed: **May 11, 2010**

(51) **LOC (9) Cl.** **07-05**

(52) **U.S. Cl.** **D32/74**

(58) **Field of Classification Search** D32/74,
D32/41; D30/162; D7/691, 688; D4/116;
15/257.5, 257.3, 257.2, 257.1; 134/6
See application file for complete search history.

(56) **References Cited**

U.S. PATENT DOCUMENTS

1,678,284	A *	7/1928	Duhsel	15/257.6
2,553,727	A *	5/1951	Schlutz	15/257.2
D184,504	S *	3/1959	Bliss	D32/74
D367,745	S *	3/1996	Feldman et al.	D32/74
D427,739	S *	7/2000	Demore	D32/74
D466,262	S *	11/2002	Chemtob	D32/74

D470,289	S *	2/2003	Petner	D32/74
D475,828	S *	6/2003	Libman et al.	D32/74
D508,760	S *	8/2005	Berti	D32/74
D510,165	S *	9/2005	Berti	D32/74
D586,970	S *	2/2009	Berti	D32/74
2007/0089259	A1 *	4/2007	Jones	15/257.2

* cited by examiner

Primary Examiner—Austin Murphy

(74) *Attorney, Agent, or Firm*—McGarry Bair PC

(57) **CLAIM**

The ornamental design for a dust pan, as shown and described.

DESCRIPTION

FIG. 1 is a front perspective view of a dust pan which embodies the design;

FIG. 2 is a front view thereof;

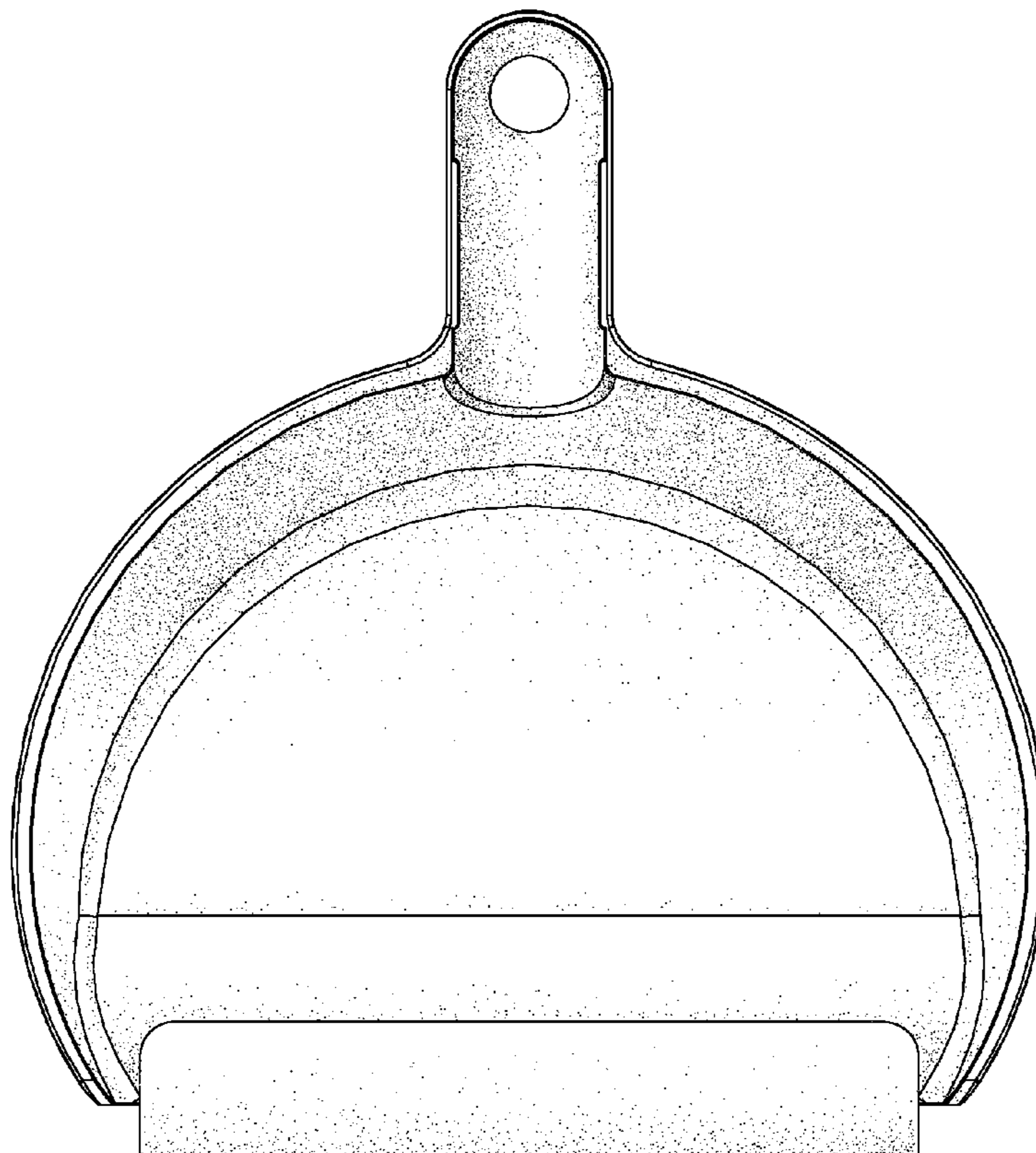
FIG. 3 is a rear view thereof;

FIG. 4 is a right side view thereof; the left side view thereof being a mirror image of the right side view thereof;

FIG. 5 is a top view thereof; and,

FIG. 6 is a bottom view.

1 Claim, 4 Drawing Sheets



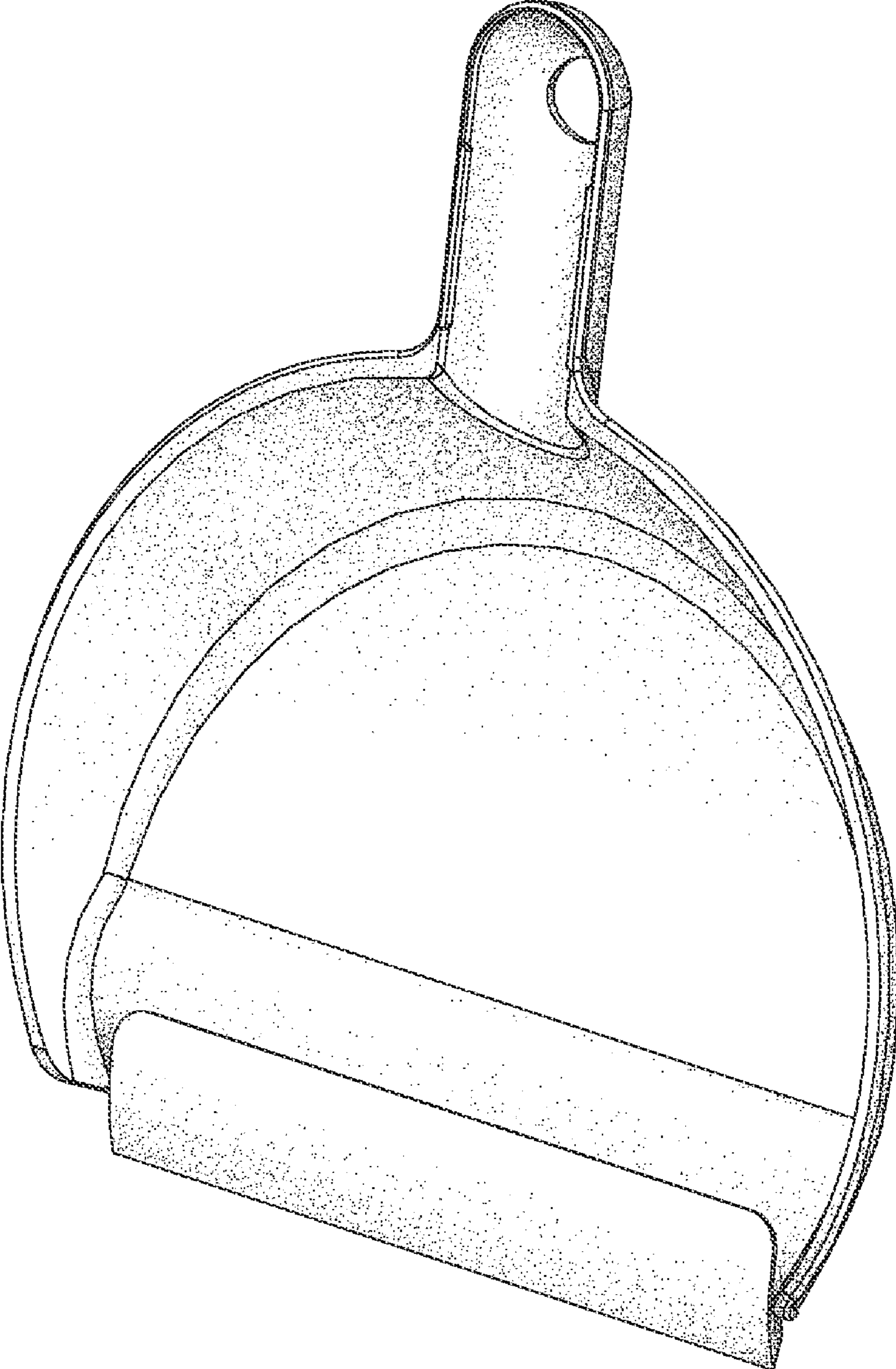


Fig. 1

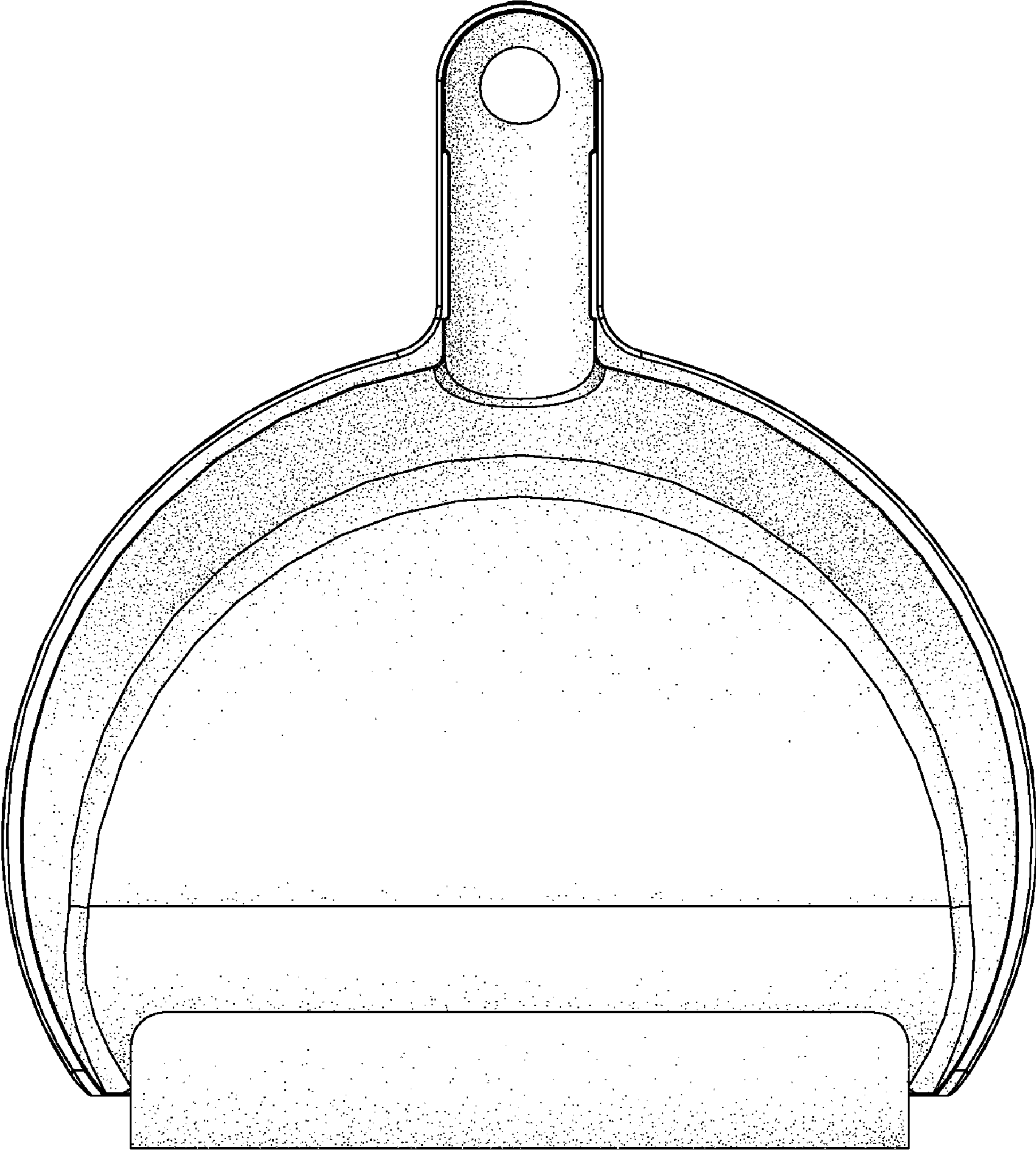


Fig. 2

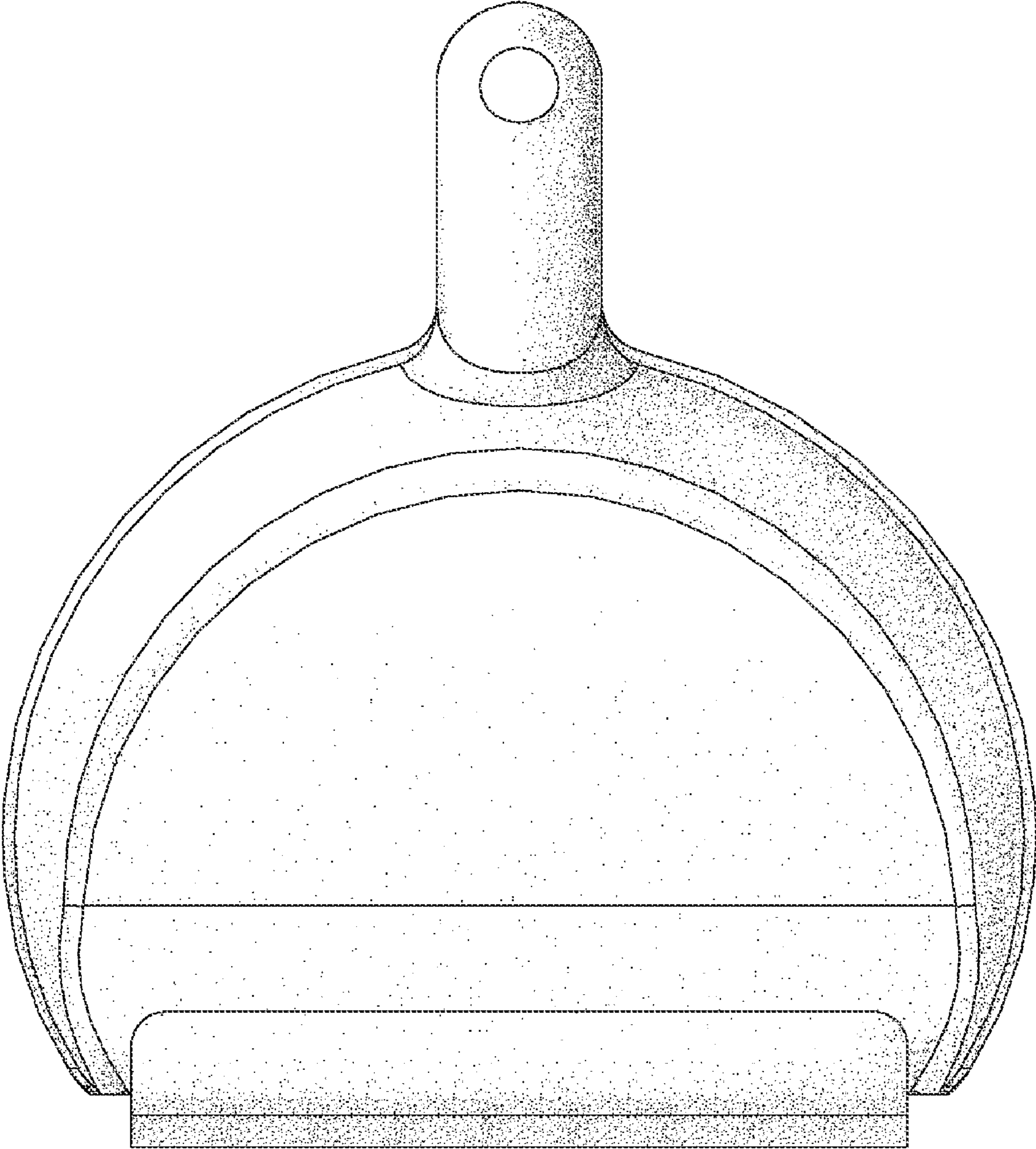


Fig. 3

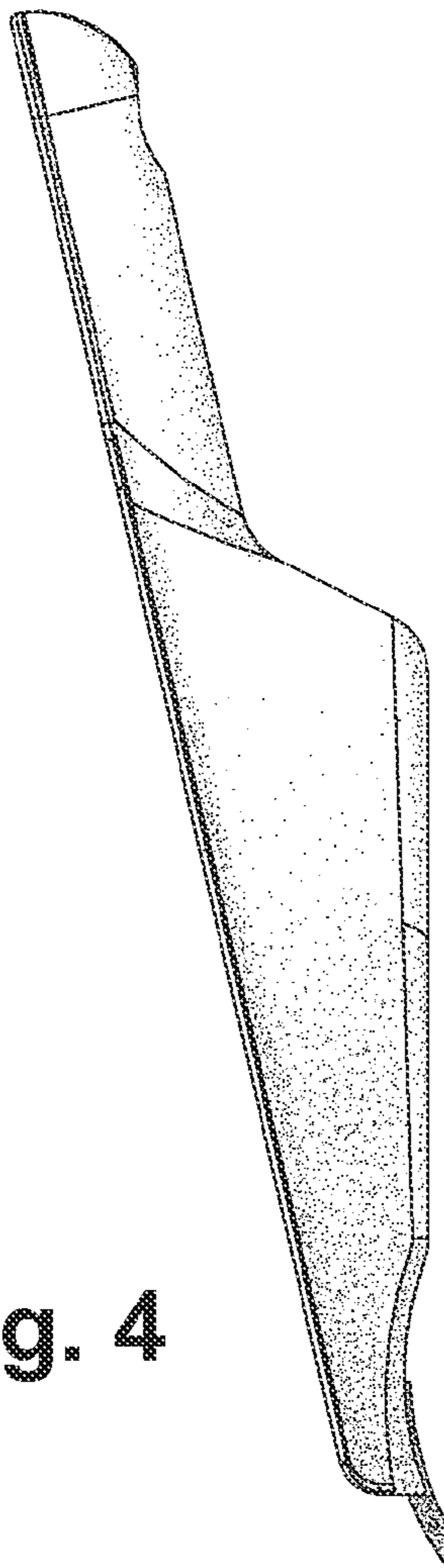


Fig. 4

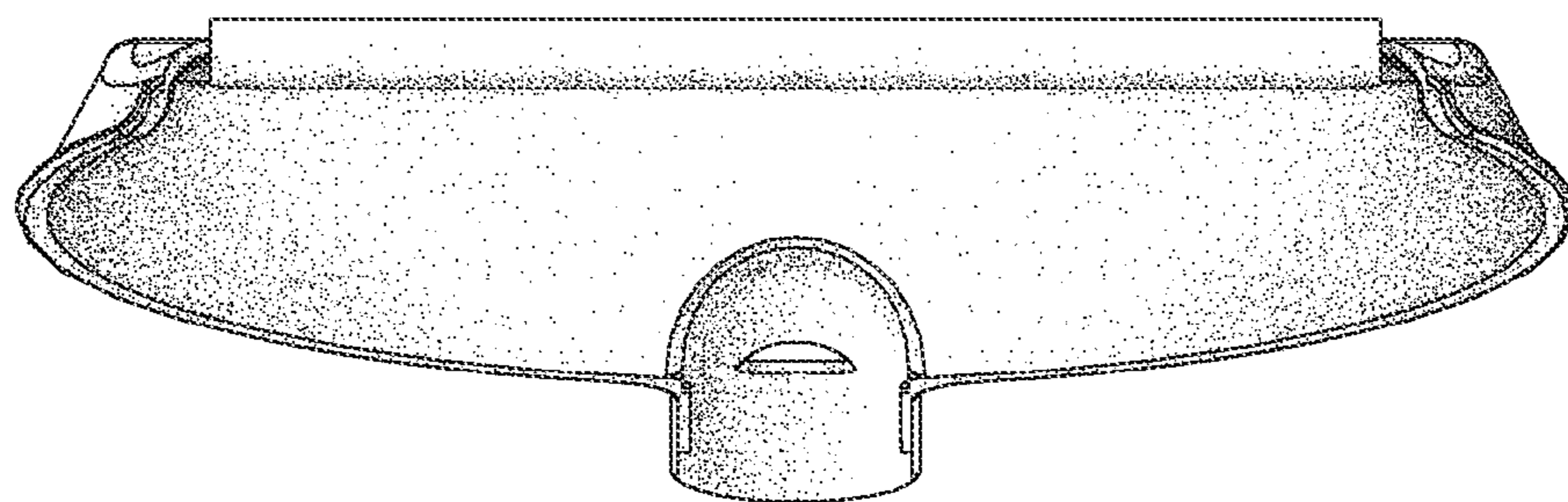


Fig. 5

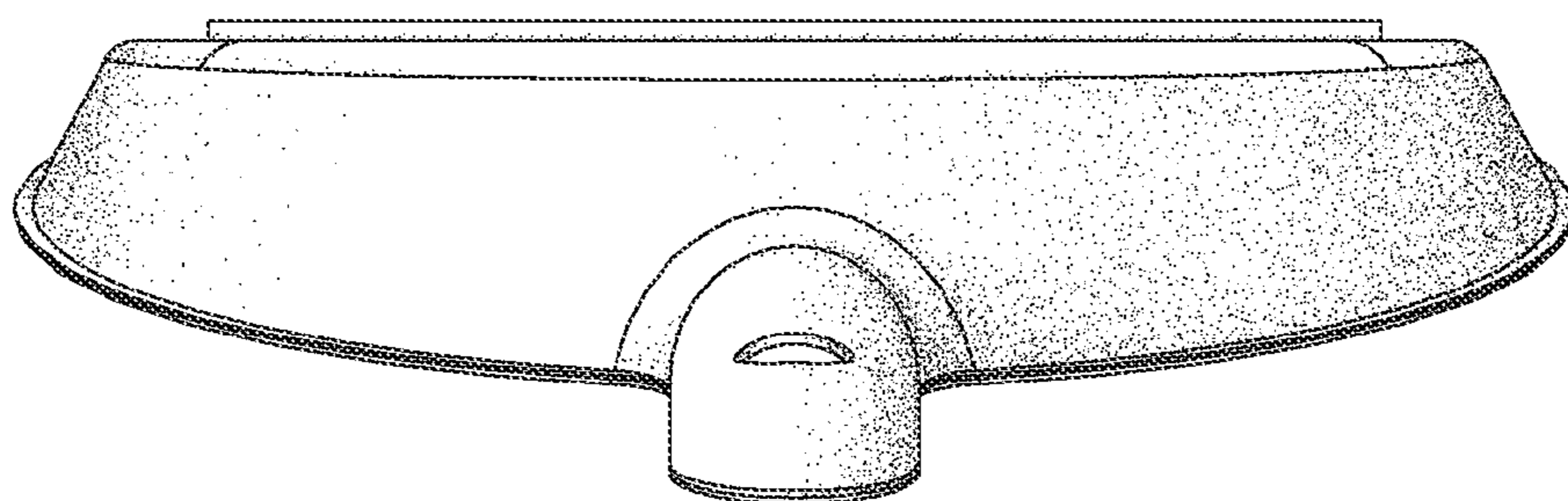


Fig. 6