



US00D630402S

(12) **United States Design Patent**
Wang

(10) **Patent No.:** **US D630,402 S**

(45) **Date of Patent:** **** Jan. 4, 2011**

(54) **DUST PAN FOR CUTTING TOOL**

(76) **Inventor:** **Mon Chang (Garry) Wang**, No. 368
Huazhong Road, Shanghai (CN)

(**) **Term:** **14 Years**

(21) **Appl. No.:** **29/343,346**

(22) **Filed:** **Sep. 11, 2009**

(30) **Foreign Application Priority Data**

Mar. 11, 2009 (CN) 2009 3 0094564

(51) **LOC (9) Cl.** **07-05**

(52) **U.S. Cl.** **D32/74**

(58) **Field of Classification Search** D32/74;
D30/162; 15/257.5, 257.3, 257.2, 257.1;
134/6; D14/447, 448; D19/92; D3/304;
D18/47, 49

See application file for complete search history.

(56) **References Cited**

U.S. PATENT DOCUMENTS

492,373 A * 2/1893 Minor 15/257.3
D31,183 S * 7/1899 Gerwig D32/74
D42,974 S * 9/1912 Nelson D32/74
2,651,924 A * 9/1953 Lawrence 15/257.1
3,085,278 A * 4/1963 Hemphill, Jr. 15/257.1
D302,703 S * 8/1989 Foran et al. D19/92

D338,685 S * 8/1993 Dakich D19/92
D381,155 S * 7/1997 Powers D32/74
D422,389 S * 4/2000 Gay D32/74
D475,828 S * 6/2003 Libman et al. D32/74
D508,760 S * 8/2005 Berti D32/74
D602,214 S * 10/2009 Petersen D30/162
D602,657 S * 10/2009 Petersen D30/162

* cited by examiner

Primary Examiner—Austin Murphy

(74) *Attorney, Agent, or Firm*—Hamre, Schumann, Mueller & Larson, P.C.

(57) **CLAIM**

The ornamental design for a dust pan for cutting tool, as shown and described.

DESCRIPTION

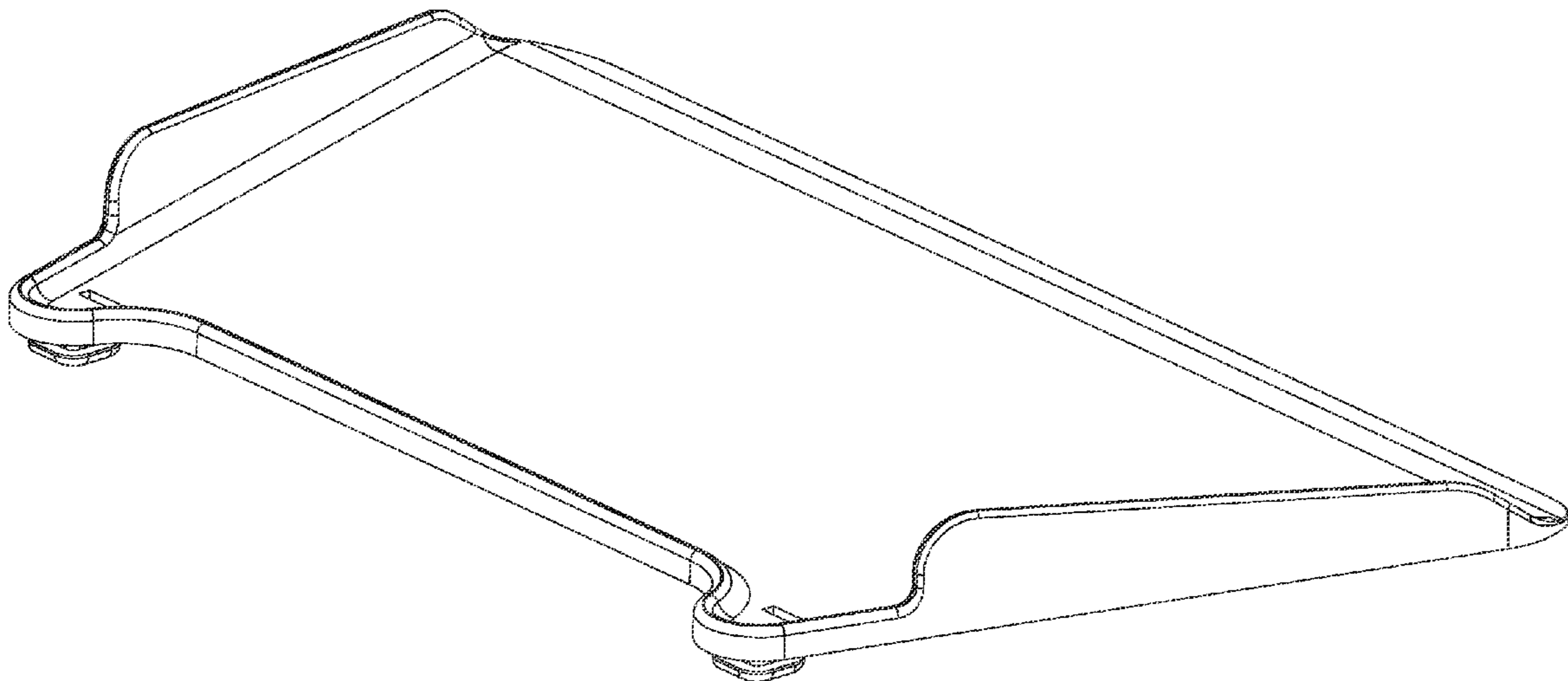
FIG. 1 is a front view of the dust pan for cutting tool of the invention;

FIG. 2 is a bottom view of the dust pan for cutting tool depicted in FIG. 1;

FIG. 3 is a right side view of the dust pan for cutting tool depicted in FIG. 1; and,

FIG. 4 is a perspective view of the dust pan for cutting tool depicted in FIG. 1.

1 Claim, 4 Drawing Sheets



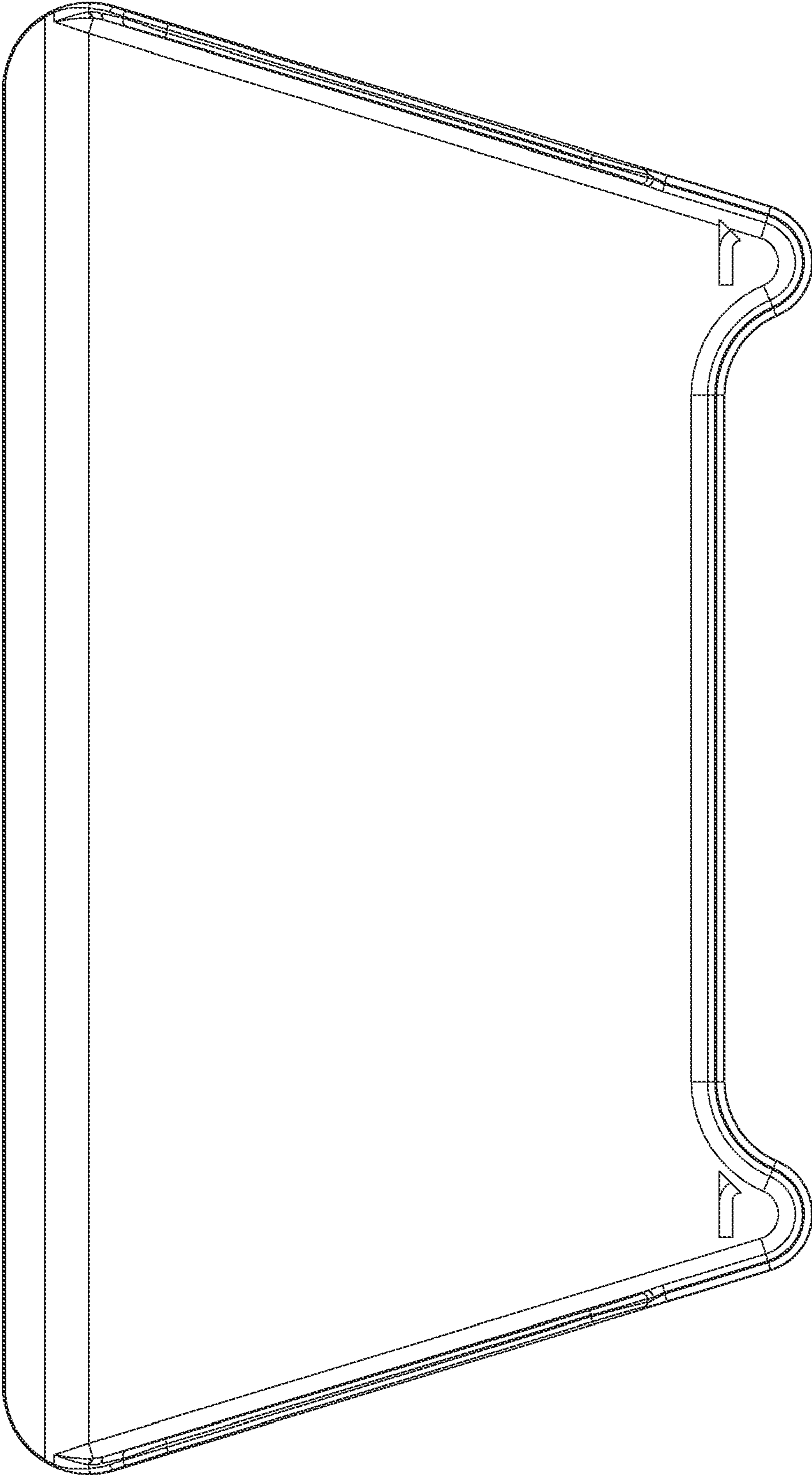


Fig. 1

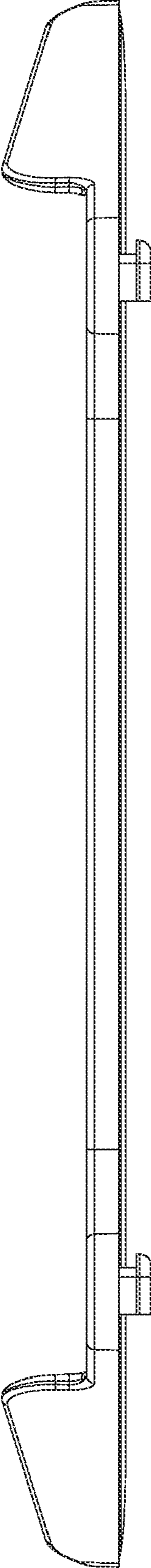


Fig. 2

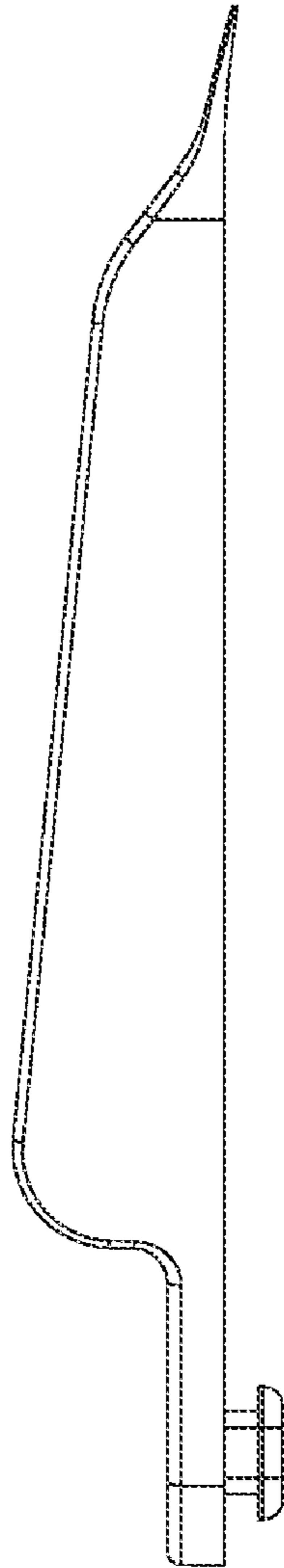


Fig. 3

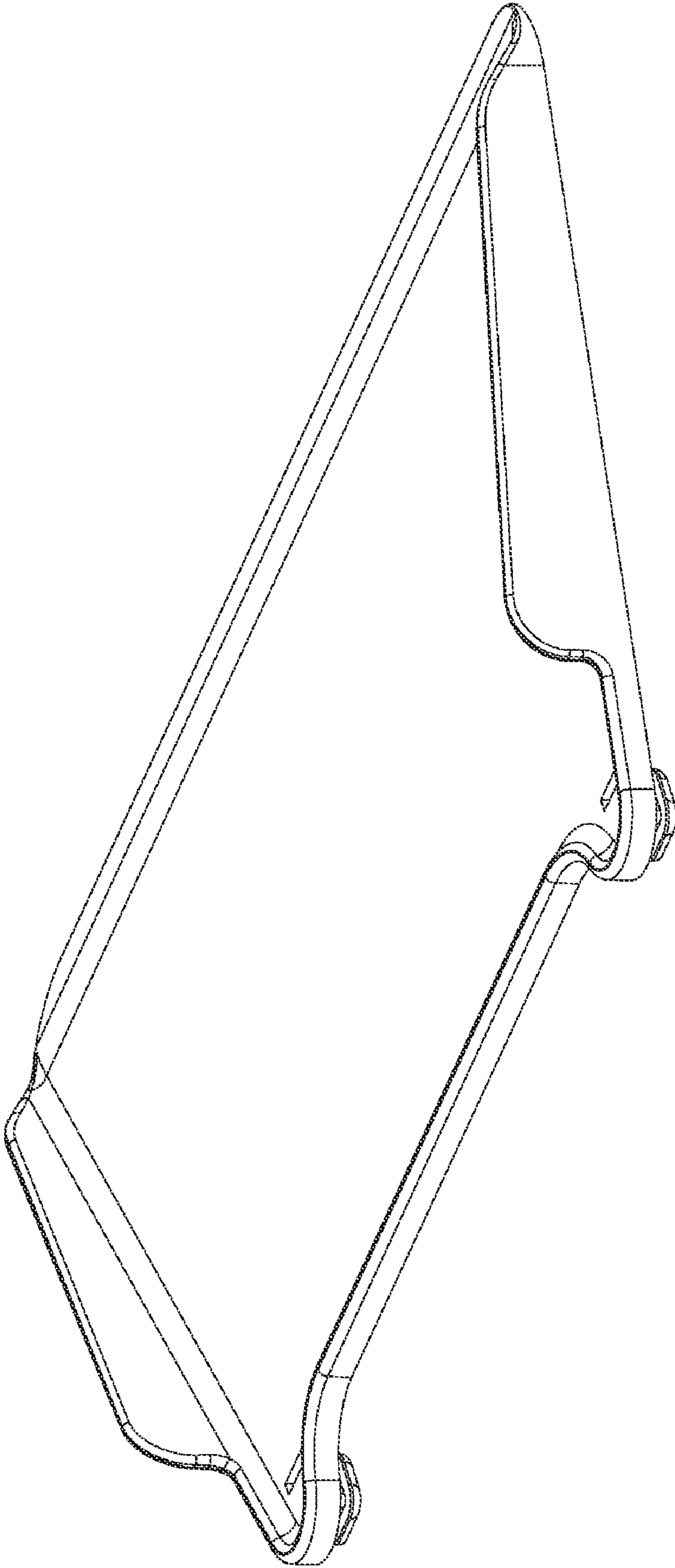


Fig. 4