



US00D630400S

(12) **United States Design Patent**  
**Seehoff et al.**

(10) **Patent No.:** **US D630,400 S**  
(45) **Date of Patent:** **\*\* Jan. 4, 2011**

(54) **IRON MAT**

(75) Inventors: **Gary Stanley Seehoff**, Encino, CA (US); **Huy Kha Nguyen**, Garden Grove, CA (US); **Christopher Anzalone**, Foothill Ranch, CA (US)

(73) Assignee: **Evrholder Products LLC**, Anaheim, CA (US)

(\*\*) Term: **14 Years**

(21) Appl. No.: **29/365,998**

(22) Filed: **Jul. 17, 2010**

(51) **LOC (9) Cl.** ..... **07-05**

(52) **U.S. Cl.** ..... **D32/73**

(58) **Field of Classification Search** ..... D32/70, D32/71, 73, 72, 69, 68, 35; 392/404; 38/97, 38/96, 93, 88, 77.9, 77.83, 77.82, 77.81, 38/77.8, 77.7, 77.6, 77.5, 77.3, 77.1; 219/251, 219/245, 257, 247; 248/117.6, 117.4, 117.2  
See application file for complete search history.

(56) **References Cited**

**U.S. PATENT DOCUMENTS**

962,894	A *	6/1910	Emery	.....	219/247
D89,922	S *	5/1933	Ritz-Woller	.....	D32/73
2,191,649	A *	2/1940	Gey	.....	248/117.1
D122,285	S *	9/1940	Davis	.....	D32/73
2,282,663	A *	5/1942	Majerus	.....	108/97
D153,993	S *	5/1949	Stanley	.....	D32/73
D155,534	S *	10/1949	Noordhof	.....	D32/73
D167,480	S *	8/1952	Peterson	.....	D32/73

2,655,333	A *	10/1953	Taylor	.....	248/117.2
D191,007	S *	8/1961	Caddell	.....	D32/73
3,202,389	A *	8/1965	Zoffer	.....	248/117.4
3,305,200	A *	2/1967	Avery	.....	248/117.6
D291,132	S *	7/1987	Komar	.....	D32/73
D366,545	S *	1/1996	Sambamurti	.....	D32/73
D421,324	S *	2/2000	McIntyre	.....	D32/71
D421,325	S *	2/2000	Brady et al.	.....	D32/71
D433,552	S *	11/2000	McBounds et al.	.....	D32/73
D463,892	S *	10/2002	Brady	.....	D32/71
D473,690	S *	4/2003	Brady	.....	D32/71
D488,276	S *	4/2004	Brady	.....	D32/71
D502,581	S *	3/2005	Lee	.....	D32/73

\* cited by examiner

*Primary Examiner*—Austin Murphy

(57) **CLAIM**

The ornamental design for an iron mat, as shown and described.

**DESCRIPTION**

FIG. 1 illustrates a top view of the claimed design for an iron mat;

FIG. 2 illustrates a front view thereof;

FIG. 3 illustrates a left-side view thereof;

FIG. 4 illustrates a right-side view thereof;

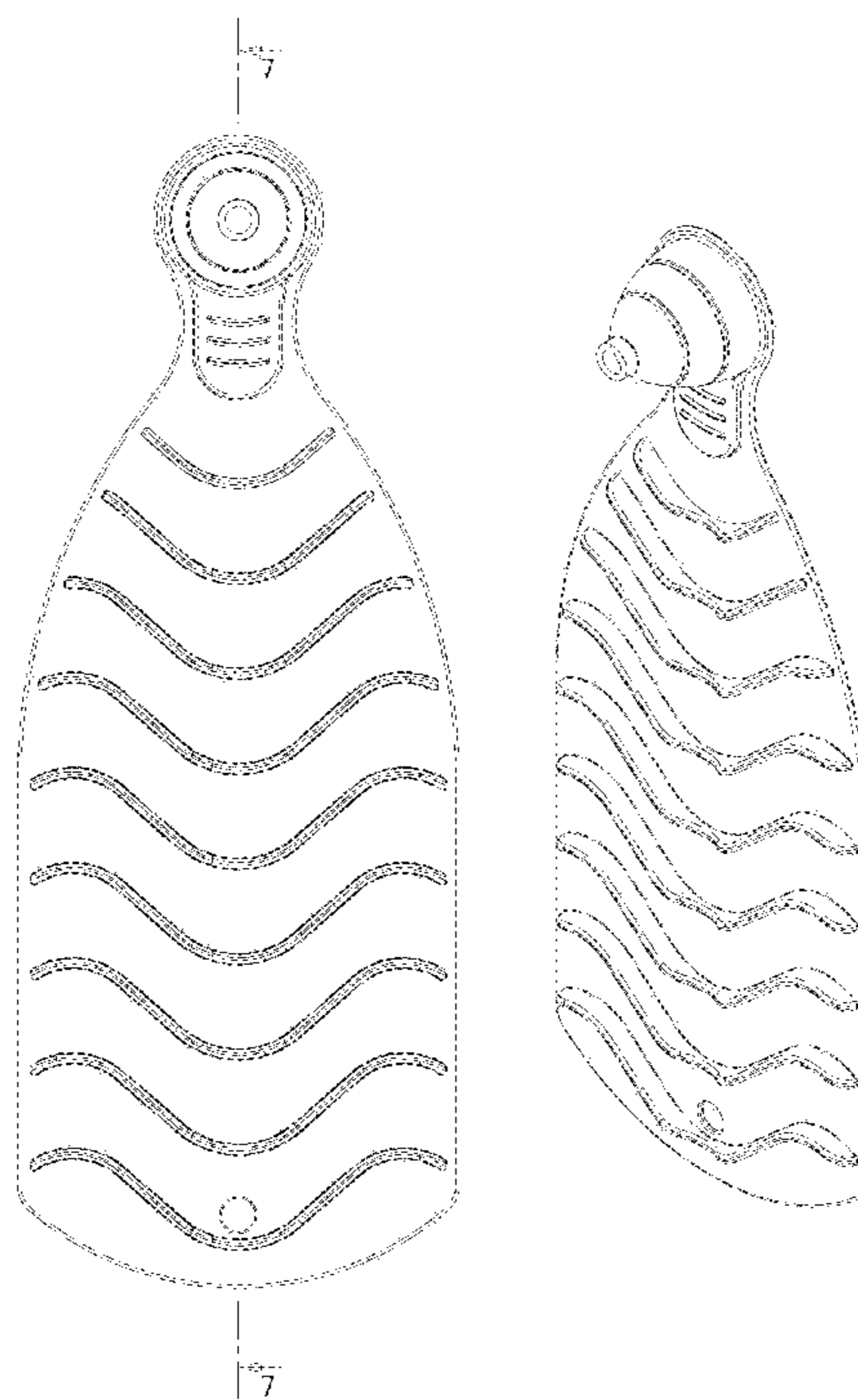
FIG. 5 illustrates a rear view thereof;

FIG. 6 illustrates a bottom view thereof;

FIG. 7 illustrates an internal sectional view thereof; and,

FIG. 8 illustrates a perspective view thereof.

**1 Claim, 8 Drawing Sheets**



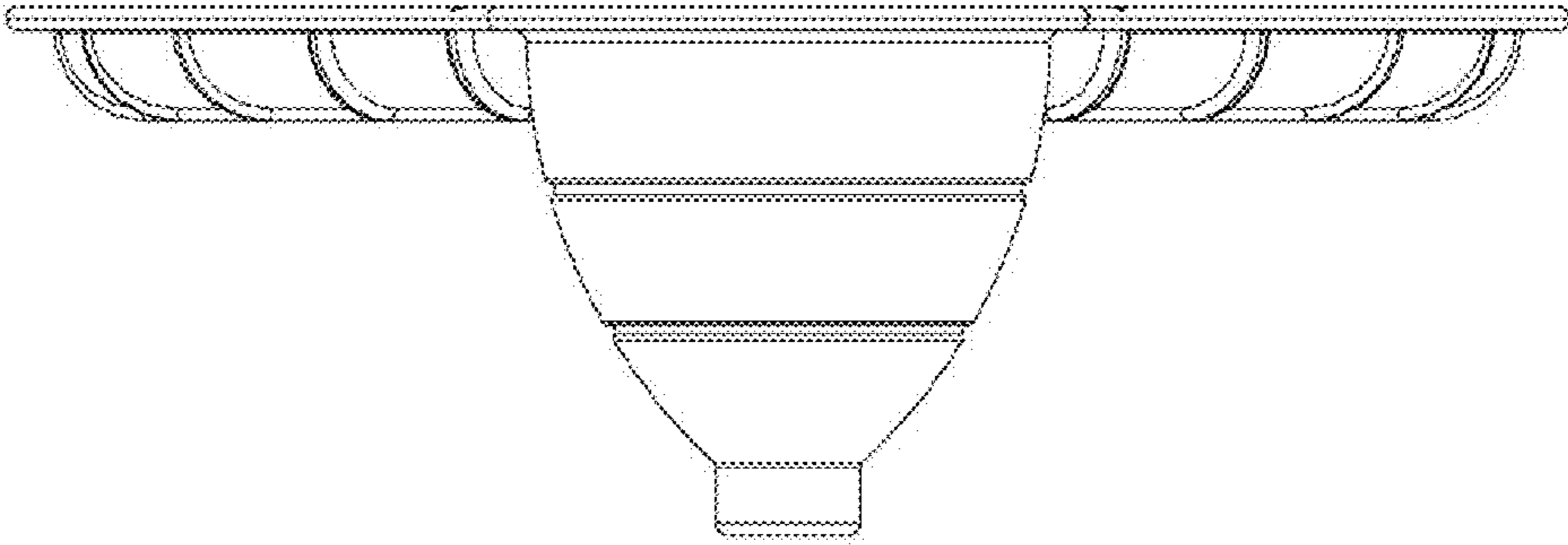


Fig. 1

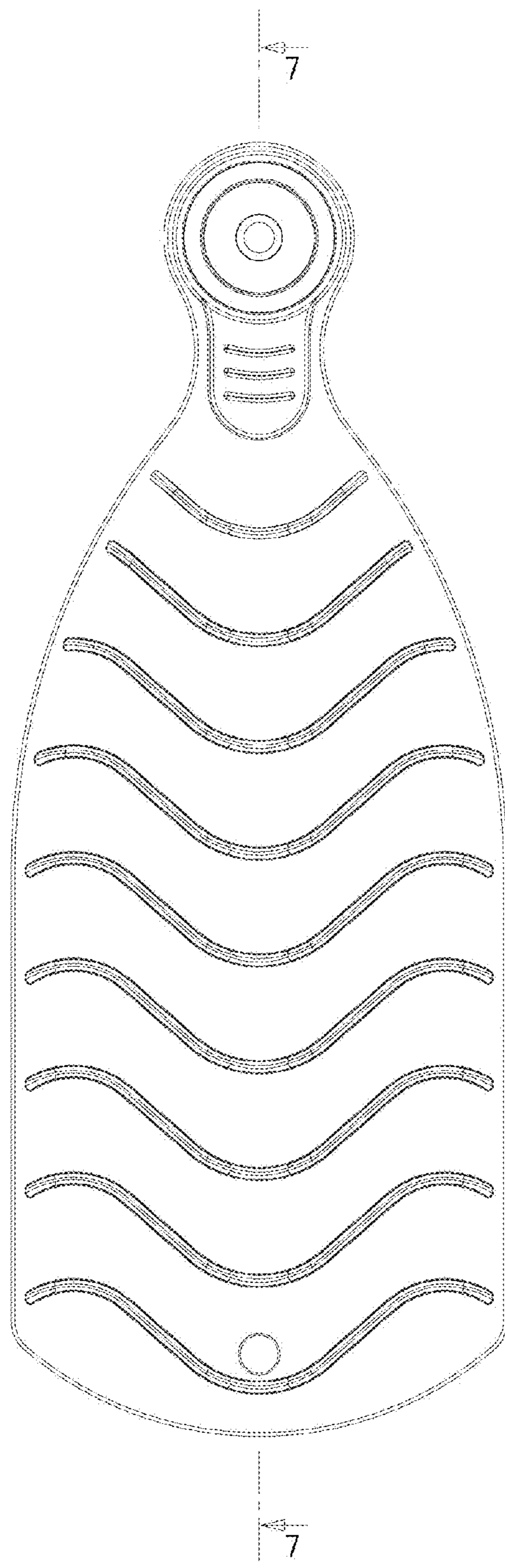


Fig. 2

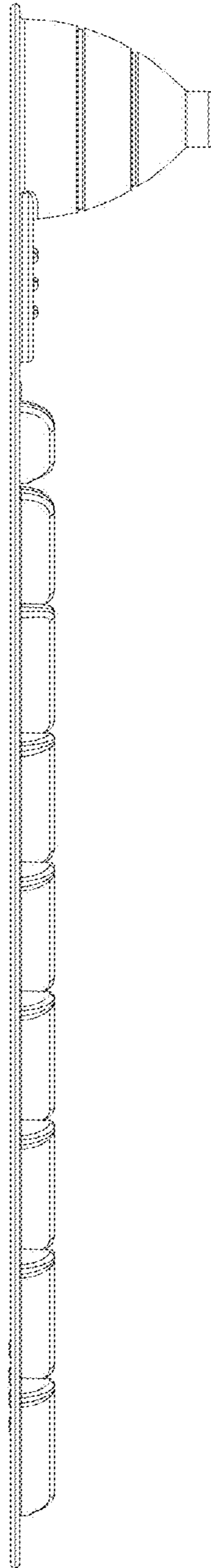


Fig. 3

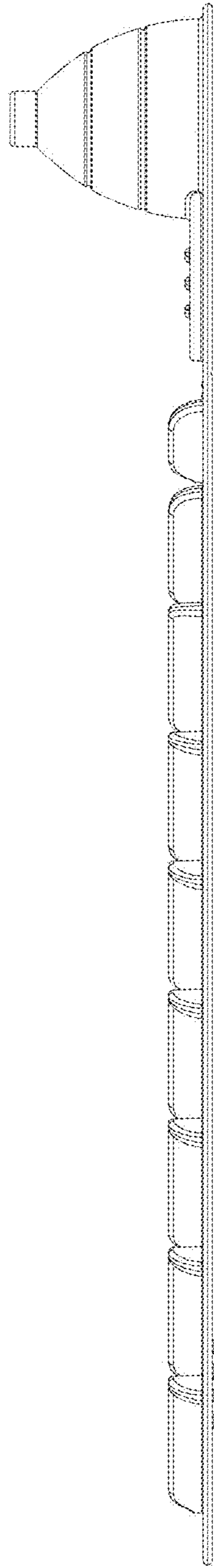


Fig. 4

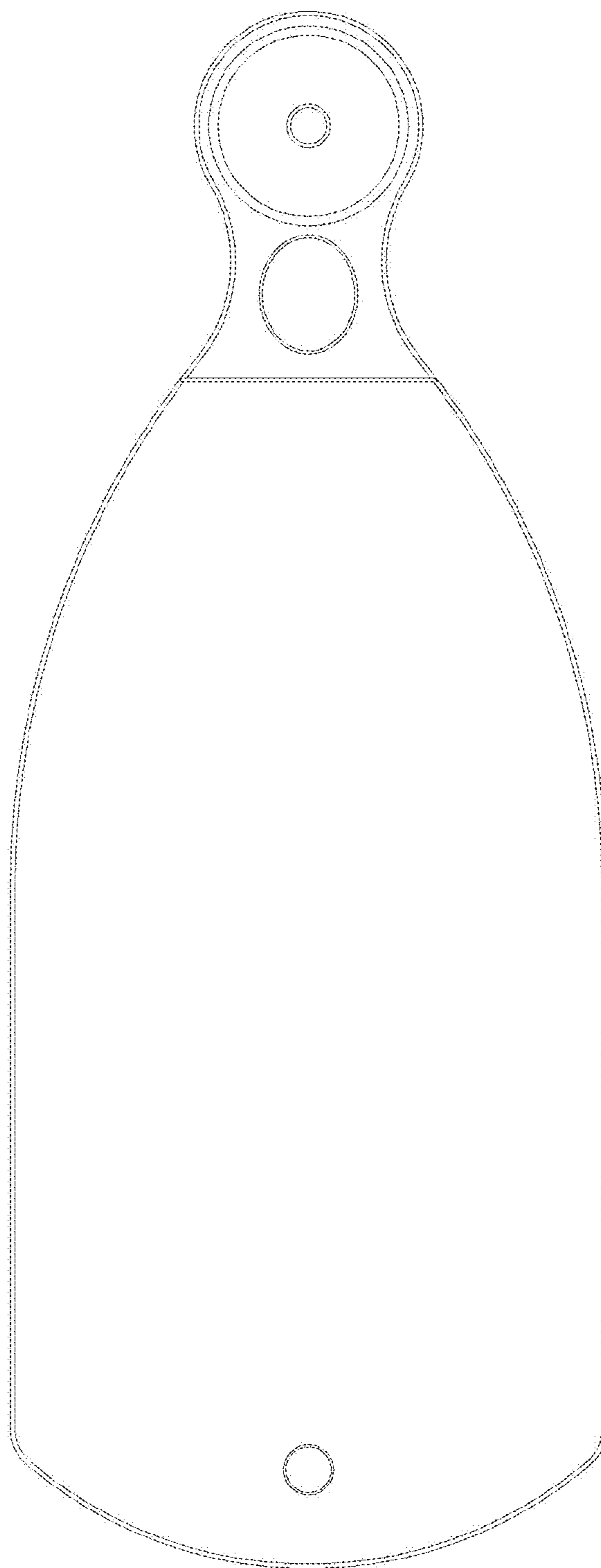


Fig. 5



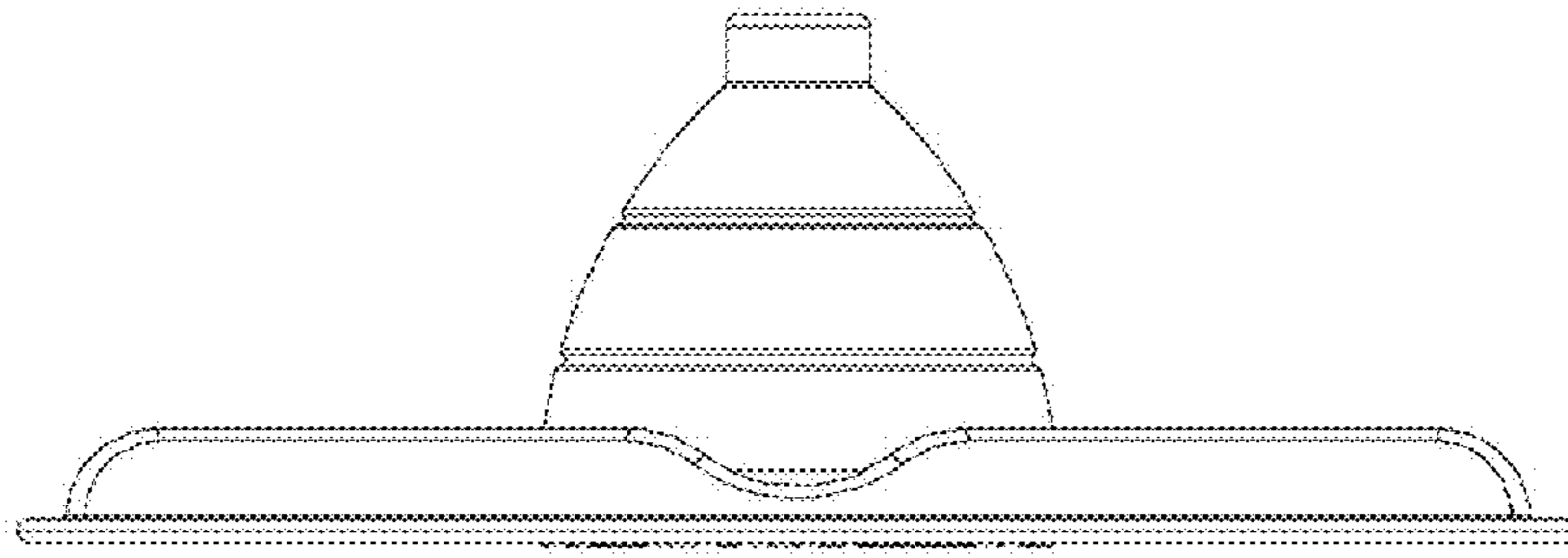


Fig. 6

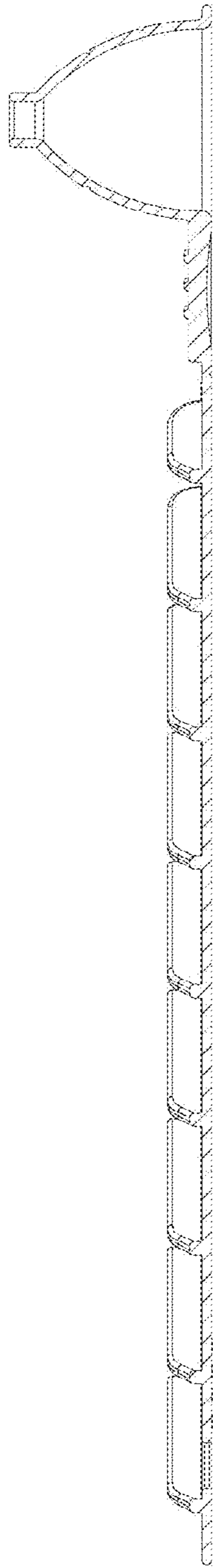


Fig. 7



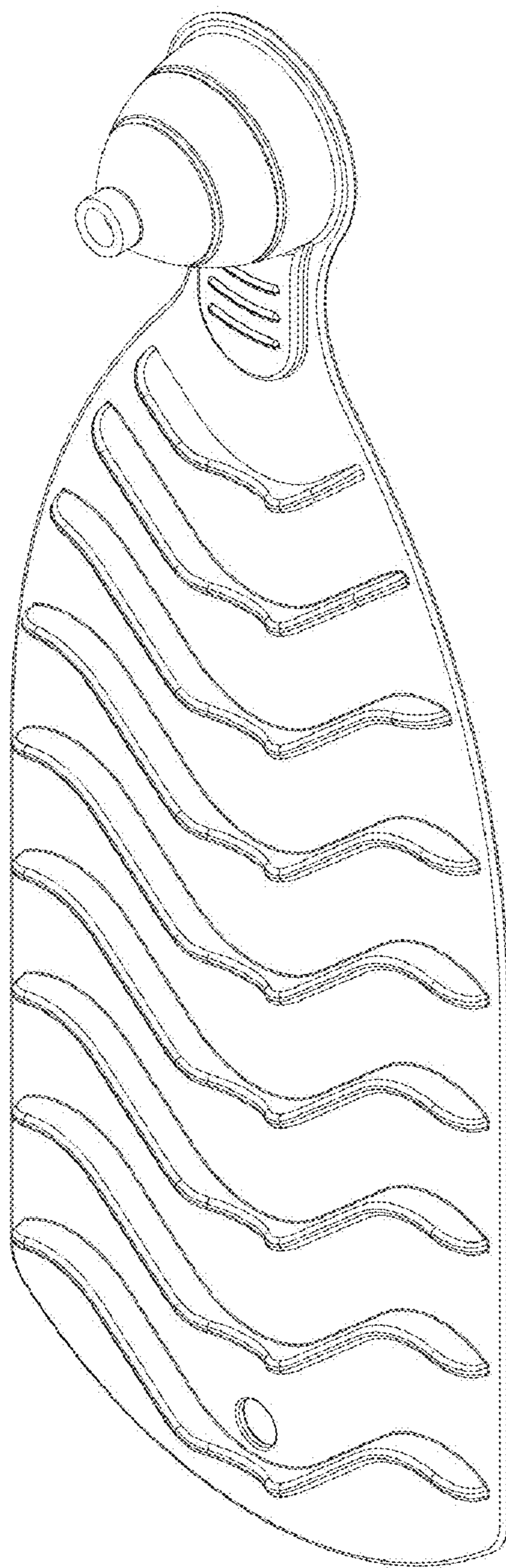


Fig. 8