



US00D630398S

(12) **United States Design Patent**
Day et al.

(10) **Patent No.:** **US D630,398 S**
(45) **Date of Patent:** **** Jan. 4, 2011**

(54) **HAND HELD IRON**

(75) Inventors: **Adam Day**, Boynton Beach, FL (US);
Bianca Fleischer, Santa Monica, CA
(US)

(73) Assignee: **Sunbeam Products, Inc.**, Boca Raton,
FL (US)

(**) Term: **14 Years**

(21) Appl. No.: **29/367,124**

(22) Filed: **Aug. 3, 2010**

(51) **LOC (9) Cl.** **07-05**

(52) **U.S. Cl.** **D32/69**

(58) **Field of Classification Search** D32/73,
D32/72, 71, 70, 69, 68, 35; 392/404; 38/97,
38/96, 93, 88, 77.9, 77.83, 77.82, 77.81,
38/77.8, 77.7, 77.6, 77.5, 77.3, 77.1; 219/251,
219/245

See application file for complete search history.

(56) **References Cited**

U.S. PATENT DOCUMENTS

D300,479 S * 3/1989 Paulin D32/69
D389,628 S * 1/1998 Naft D32/72
D465,309 S * 11/2002 Foersterling D32/35

D541,500 S * 4/2007 Leung D32/35
D551,412 S * 9/2007 Tanaka D32/69
D555,313 S * 11/2007 Meiry D32/69
D595,021 S * 6/2009 Edwards D32/69
D624,265 S * 9/2010 Edwards D32/69

* cited by examiner

Primary Examiner—Austin Murphy

(74) *Attorney, Agent, or Firm*—Seth M. Blum

(57) **CLAIM**

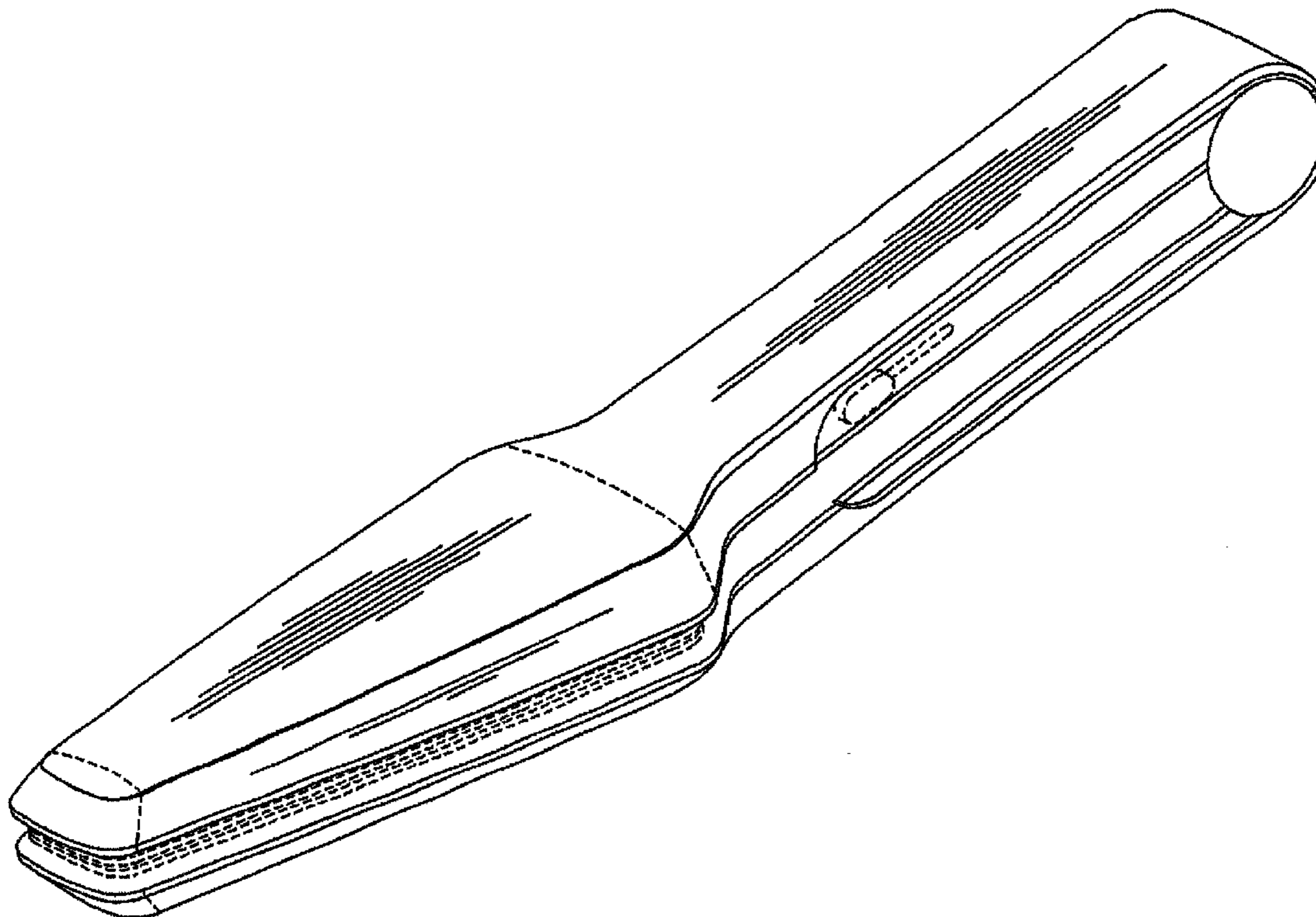
The ornamental design for a hand held iron, as shown and described.

DESCRIPTION

FIG. 1 is a front left perspective view of a hand held iron;
FIG. 2 is a right side view thereof;
FIG. 3 is a left side view thereof;
FIG. 4 is a top plan view thereof;
FIG. 5 is a bottom plan view thereof;
FIG. 6 is a front view thereof; and,
FIG. 7 is a rear view thereof.

The broken lines in the drawings are for illustrative purposes only and form no part of the claimed design.

1 Claim, 6 Drawing Sheets



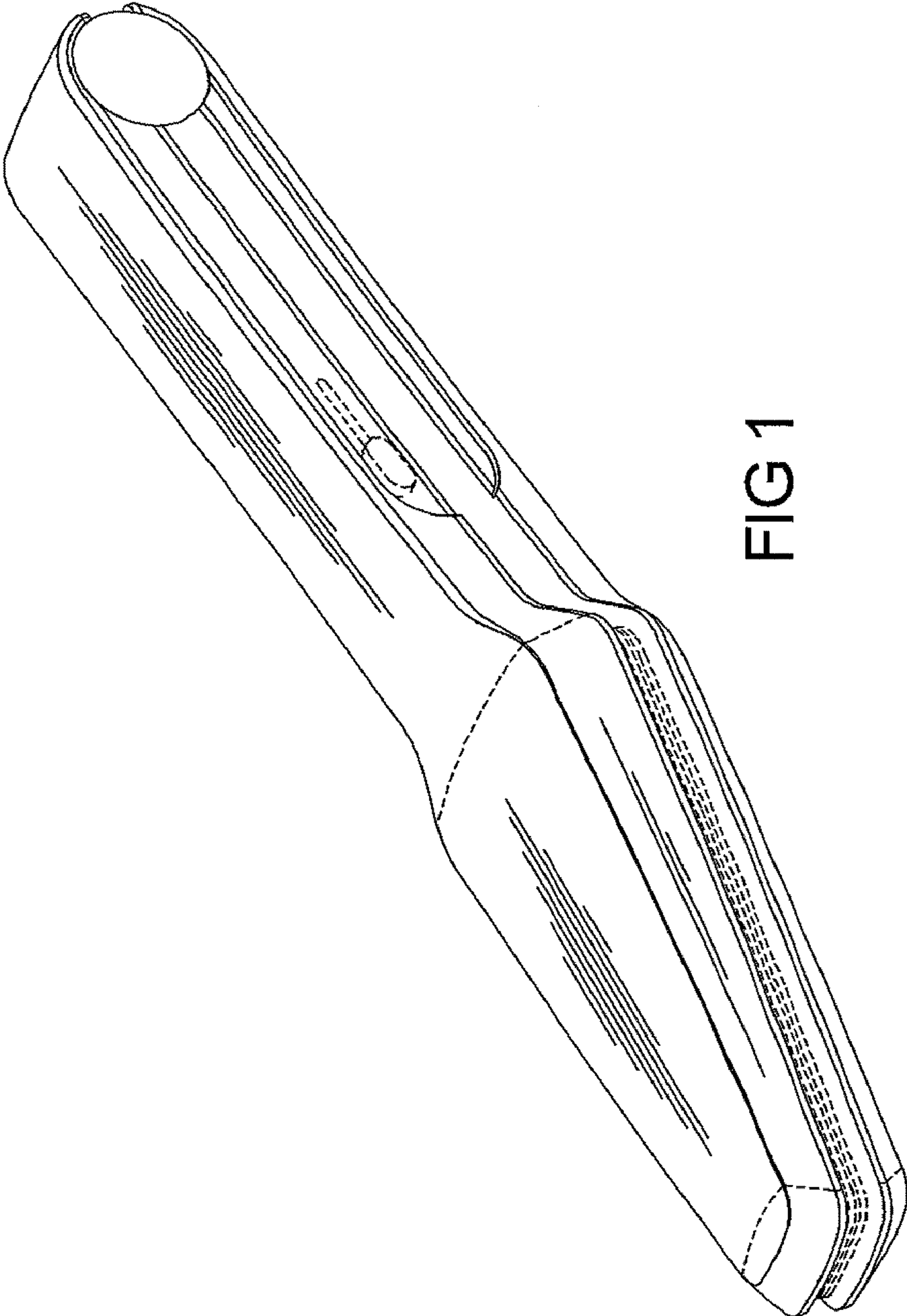


FIG 1

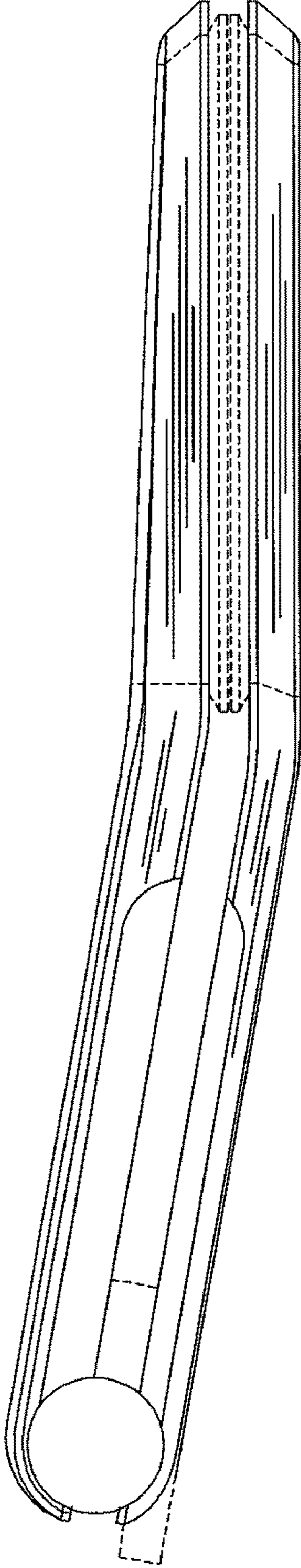


FIG 2

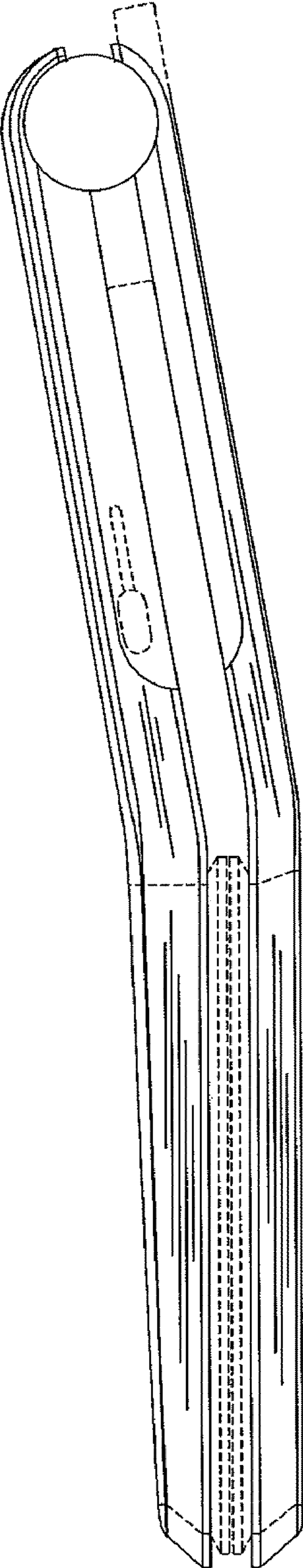


FIG 3

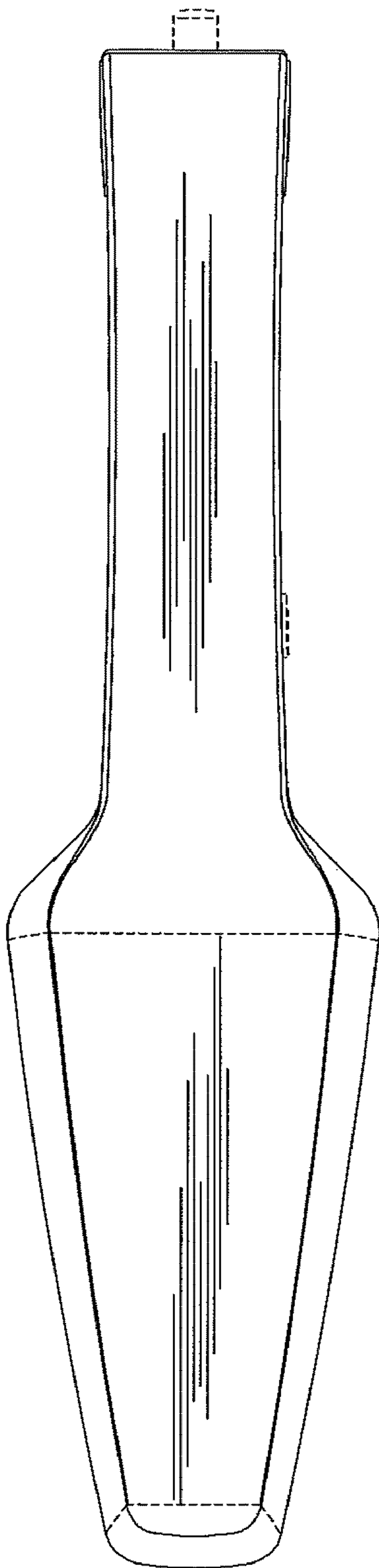


FIG 4

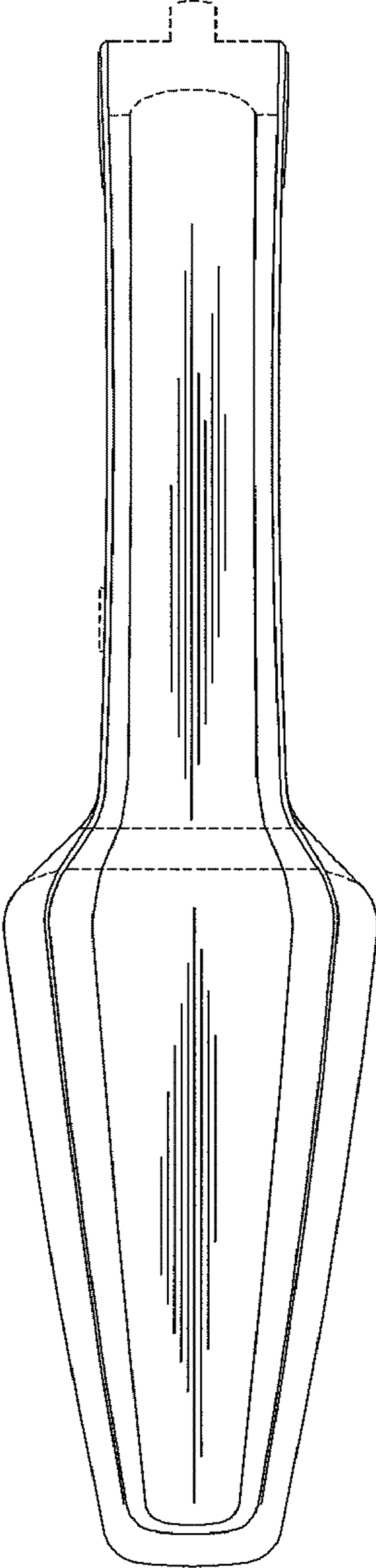


FIG 5

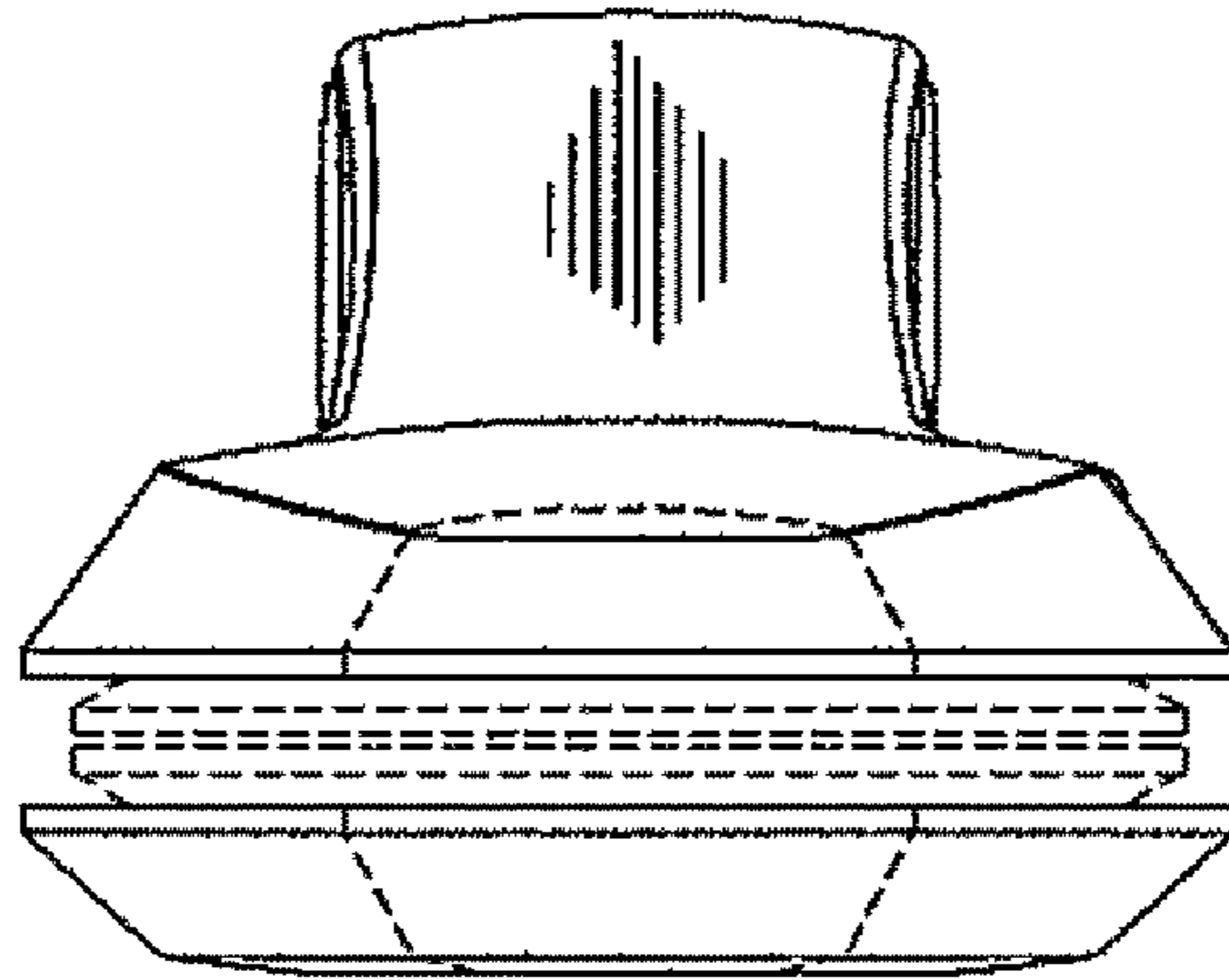


FIG 6

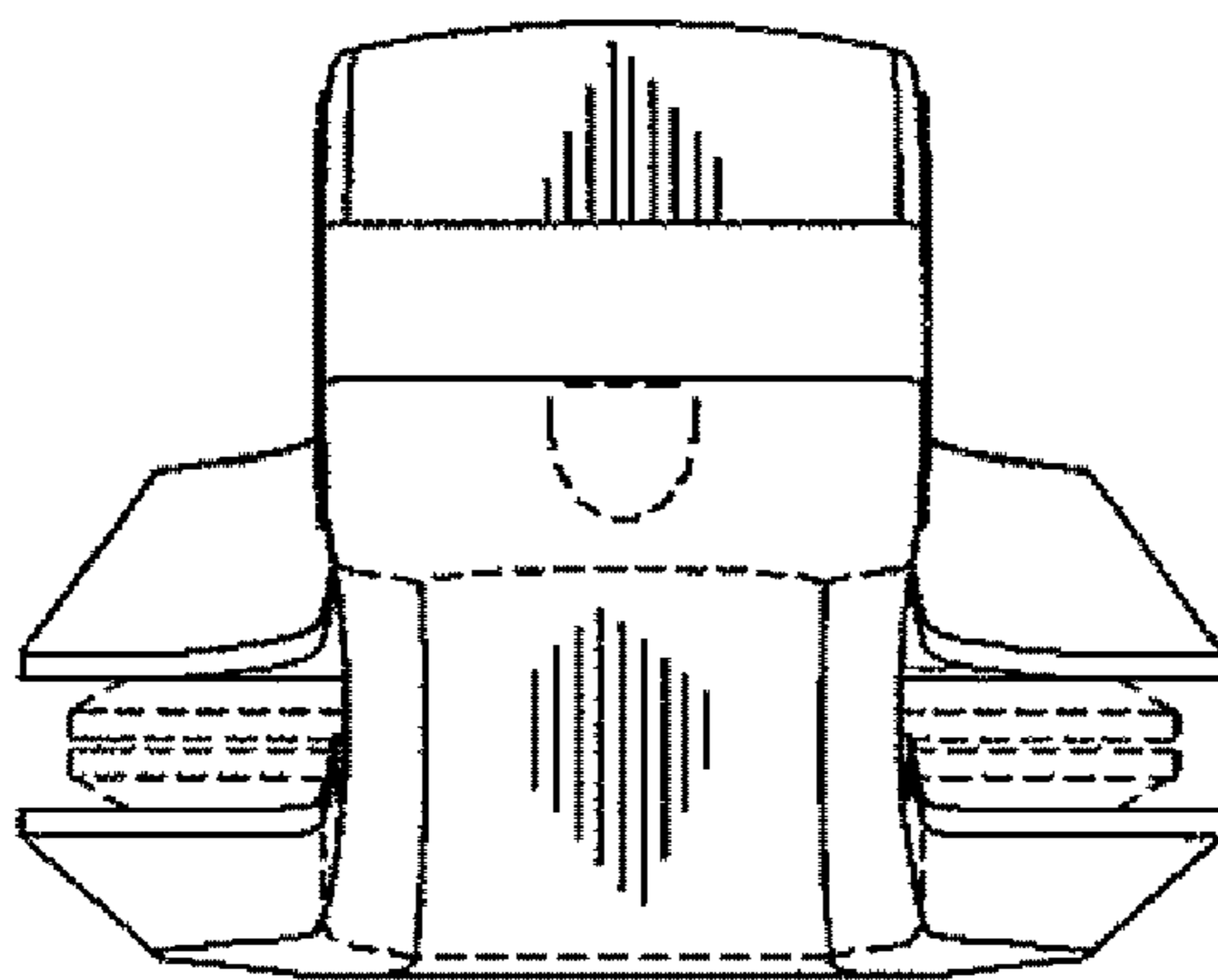


FIG 7