

US00D630393S

(12) **United States Design Patent**  
**Bergman**

(10) **Patent No.:** **US D630,393 S**

(45) **Date of Patent:** **\*\* \*Jan. 4, 2011**

- (54) **LINER FOR A PAINT TRAY**
- (75) Inventor: **Mark W. Bergman**, Minnetonka, MN (US)
- (73) Assignee: **Bercom International, LLC**, Chanhassen, MN (US)
- (\* ) Notice: This patent is subject to a terminal disclaimer.
- (\*\* ) Term: **14 Years**
- (21) Appl. No.: **29/358,690**
- (22) Filed: **Mar. 31, 2010**

- D301,785 S 6/1989 Goetz
- D302,614 S 8/1989 Beatty
- 5,201,439 A 4/1993 Davies
- 6,019,241 A 2/2000 Burns
- D444,604 S 7/2001 Hoffert et al.
- 6,622,340 B2 9/2003 Rosa
- 6,802,431 B2 10/2004 Schinkel
- D524,501 S 7/2006 Prokop et al.
- D526,748 S 8/2006 Van Skiver
- 7,083,044 B1 8/2006 Kilian et al.
- D553,818 S 10/2007 Moon
- D569,567 S 5/2008 Kohn
- D571,969 S 6/2008 Byers
- D586,056 S 2/2009 Shea
- 2002/0005409 A1 1/2002 Rosa
- 2004/0134917 A1 7/2004 Carnegie
- 2006/0124649 A1 6/2006 Campbell
- 2006/0225959 A1 10/2006 Pohl

**Related U.S. Application Data**

- (60) Continuation of application No. 29/345,401, filed on Oct. 15, 2009, now Pat. No. Des. 615,265, which is a division of application No. 29/332,137, filed on Feb. 10, 2009, now Pat. No. Des. 612,119, which is a continuation-in-part of application No. 29/330,721, filed on Jan. 13, 2009, now Pat. No. Des. 607,170.

*Primary Examiner*—Robin V Webster

(74) *Attorney, Agent, or Firm*—Westman, Champlin & Kelly

- (51) **LOC (9) Cl.** ..... **07-07**
  - (52) **U.S. Cl.** ..... **D32/54**
  - (58) **Field of Classification Search** ..... D32/53, D32/53.1, 54; 15/257.01–257.06, 570, 495.01, 15/495.02
- See application file for complete search history.

(57) **CLAIM**

The ornamental design for a liner for a paint tray, as shown and described.

**DESCRIPTION**

FIG. 1 is an isometric view of a paint tray liner showing my new design;

FIG. 2 is a side view thereof, as taken from the left (unseen) side of FIG. 1;

FIG. 3 is a side view thereof, as taken from the right side of FIG. 1 (the side views are mirror images of one another);

FIG. 4 is a front end view thereof;

FIG. 5 is a rear end view thereof;

FIG. 6 is a top view thereof; and,

FIG. 7 is a bottom view thereof.

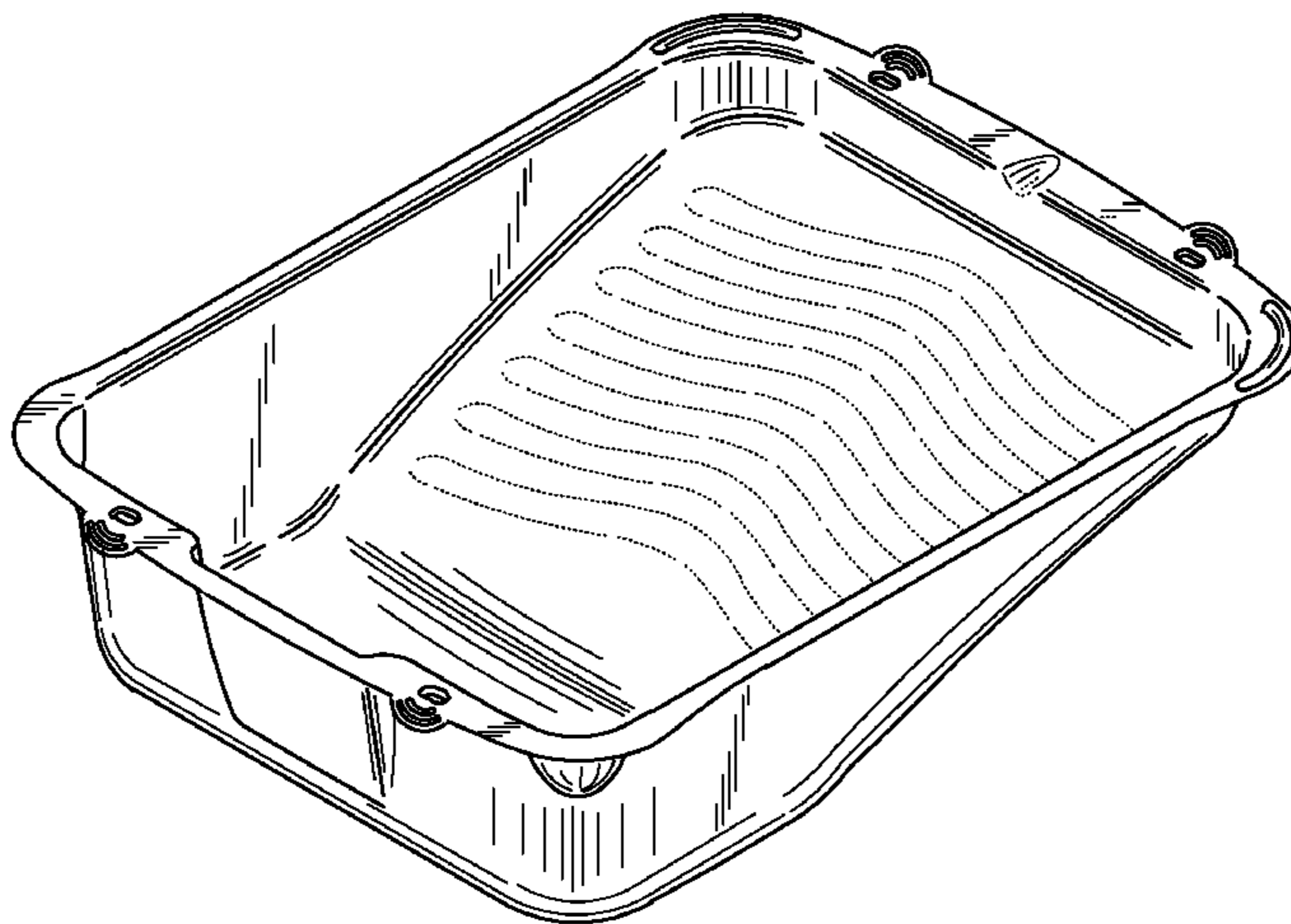
The broken lines in FIGS. 1, 5, 6 and 7 are for illustrative purposes only and form no part of the claimed design.

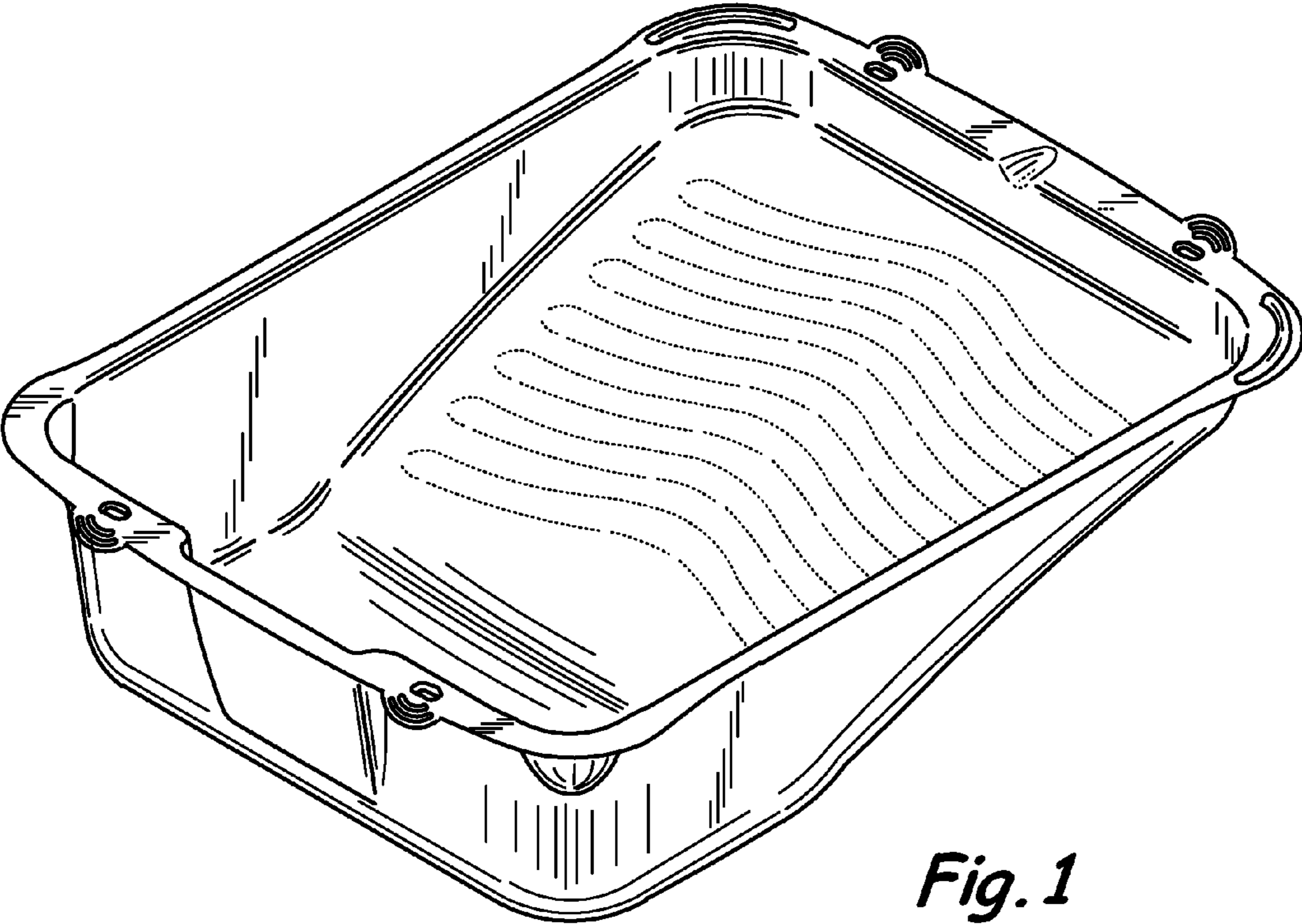
(56) **References Cited**

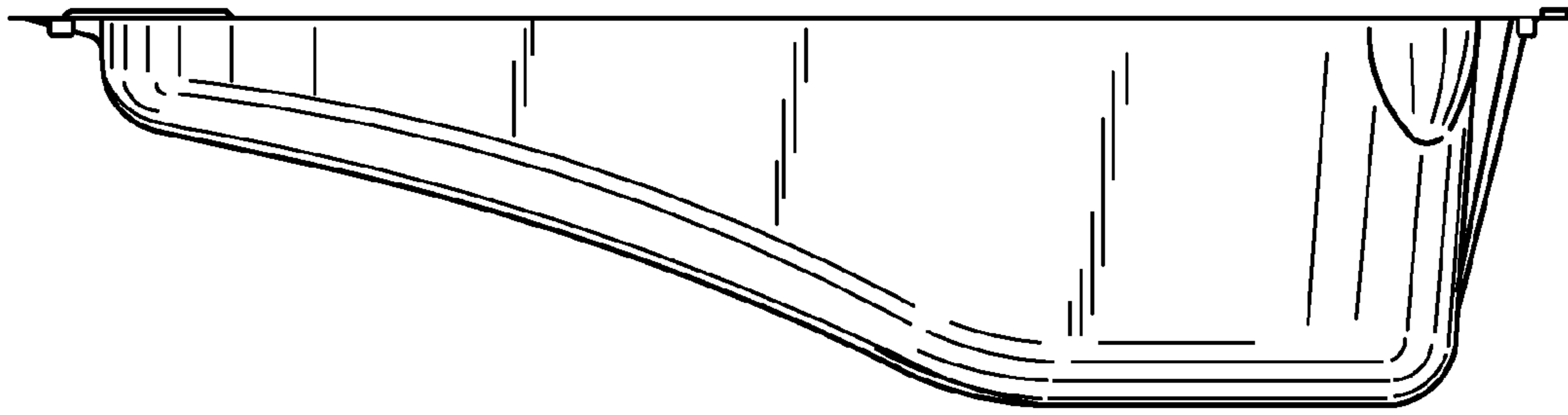
**U.S. PATENT DOCUMENTS**

- 2,922,176 A 1/1960 Bernhardt
- D193,382 S 8/1962 Goetz
- 3,157,902 A 11/1964 Hardwick
- D208,969 S 10/1967 Paxton
- D211,611 S 7/1968 Fox, Jr. et al.
- 3,828,389 A 8/1974 Heisler
- 3,947,135 A 3/1976 Hawk
- 4,023,702 A 5/1977 McKnight
- 4,445,250 A 5/1984 Seidl

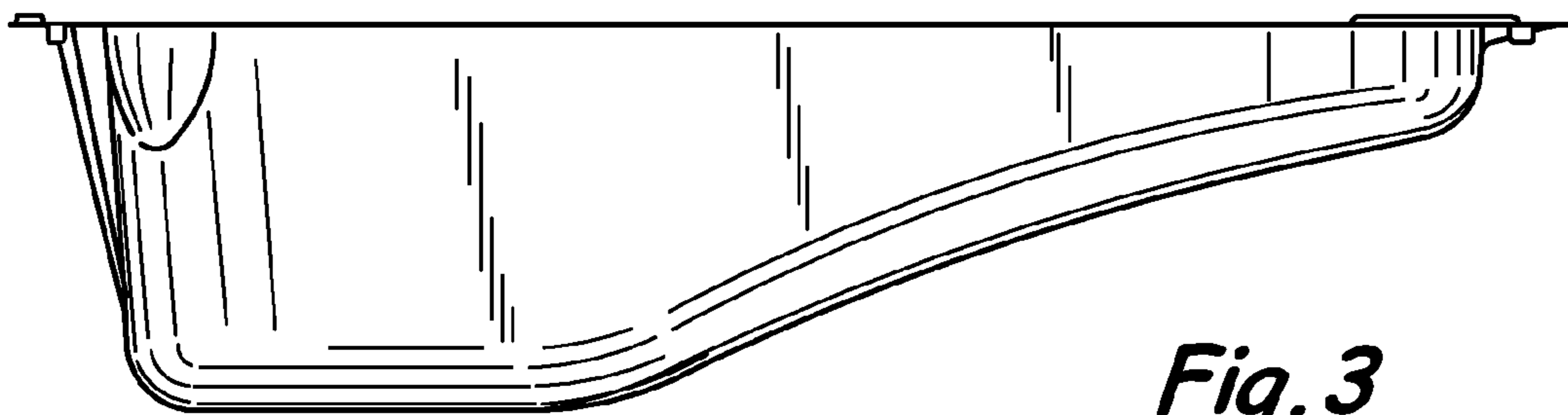
**1 Claim, 5 Drawing Sheets**



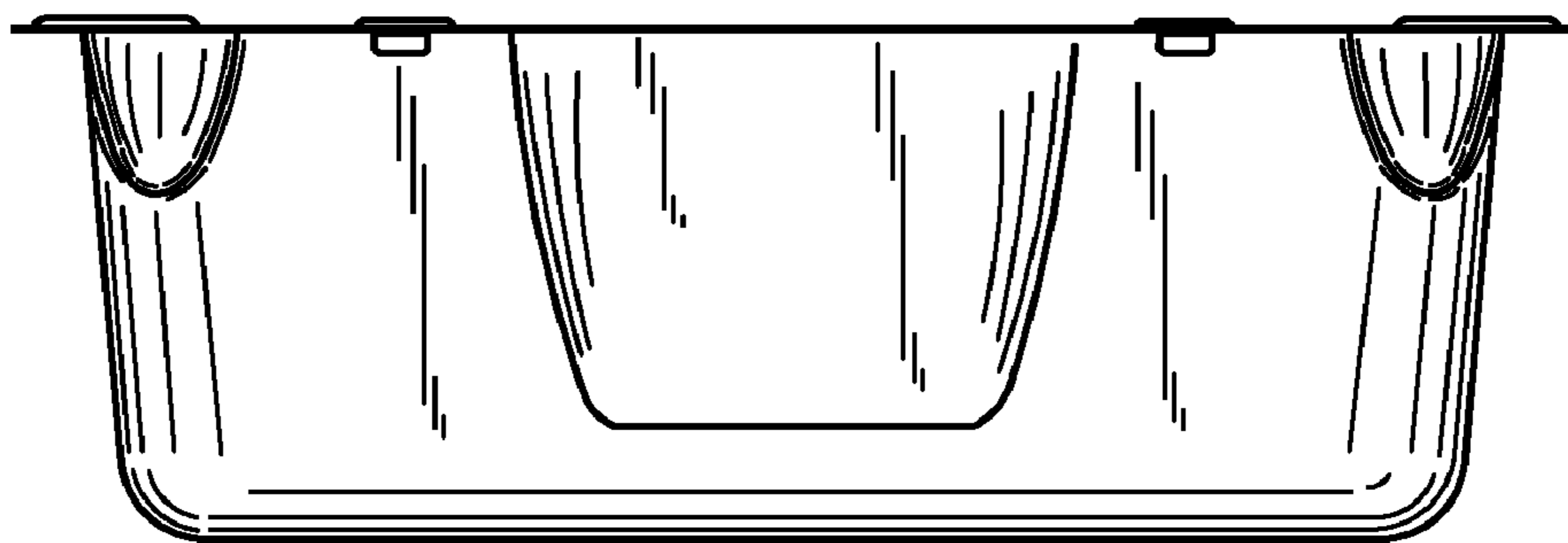




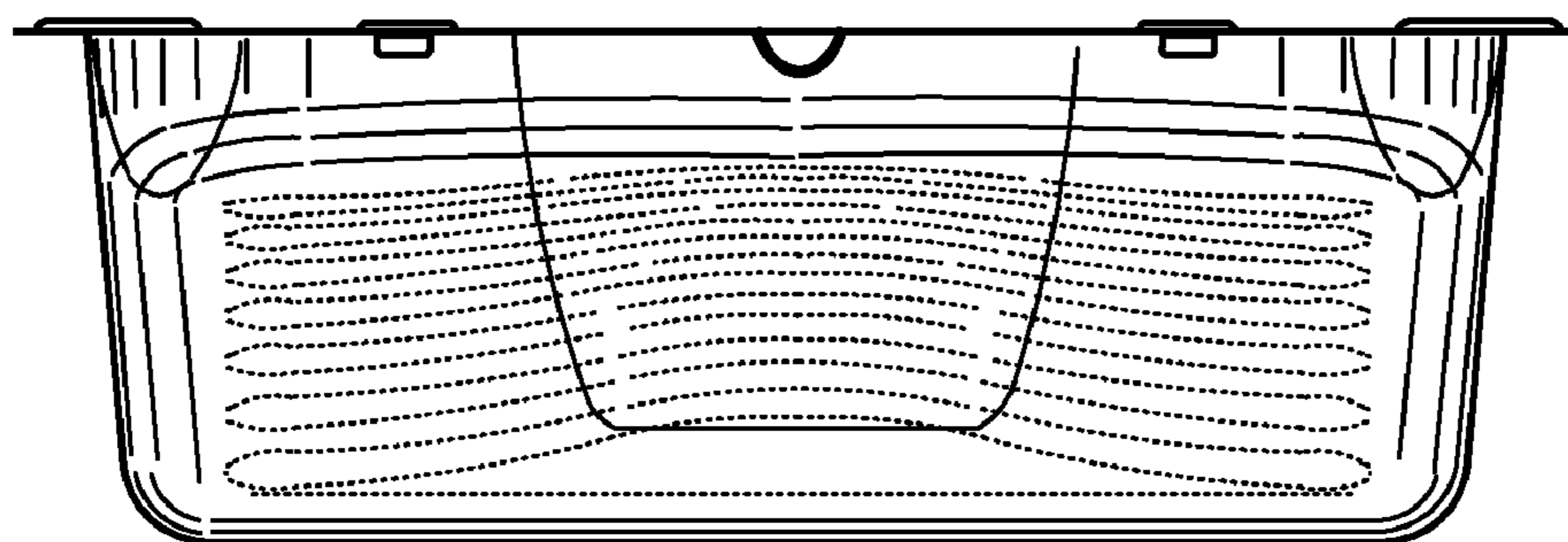
*Fig. 2*



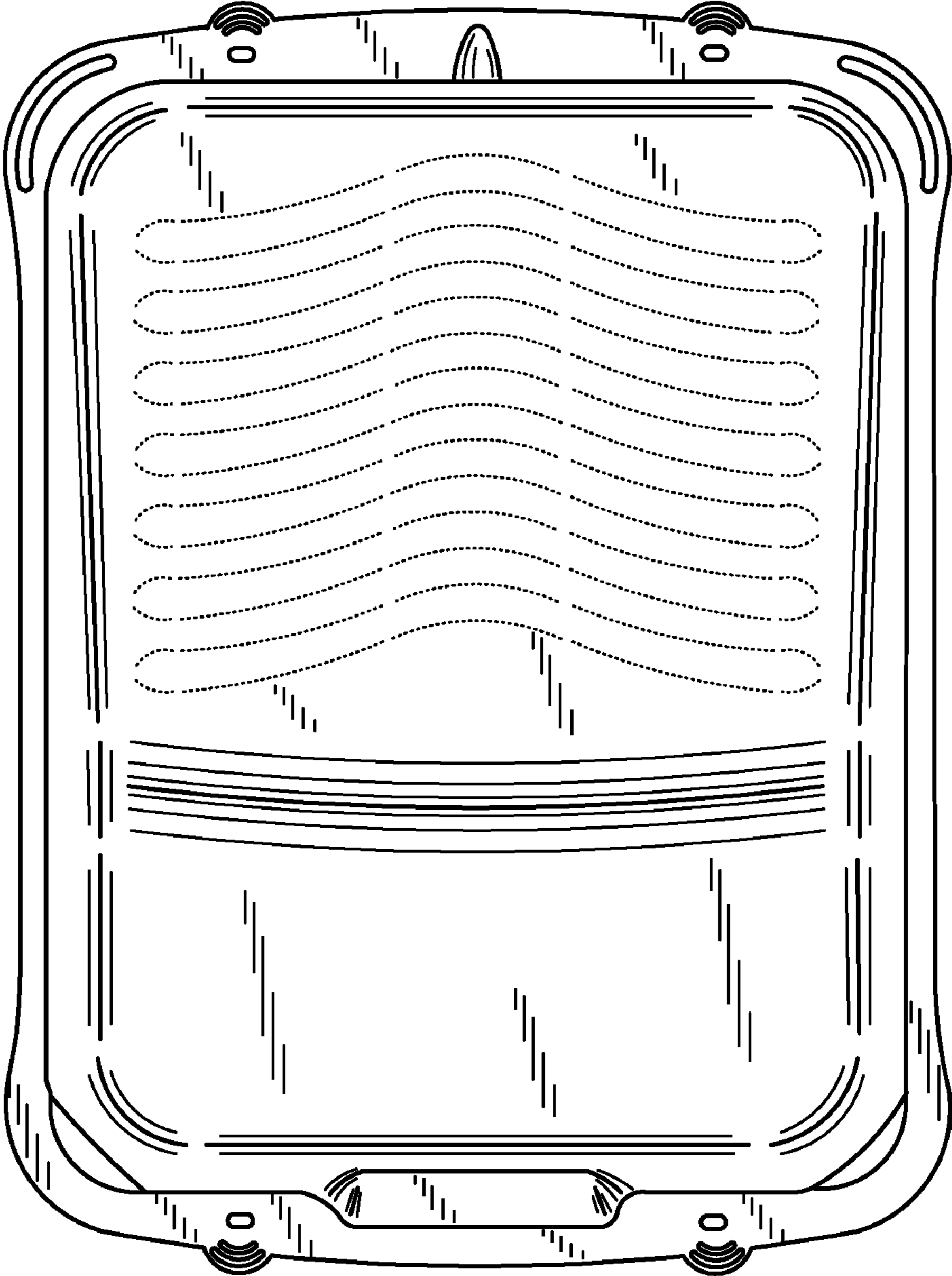
*Fig. 3*



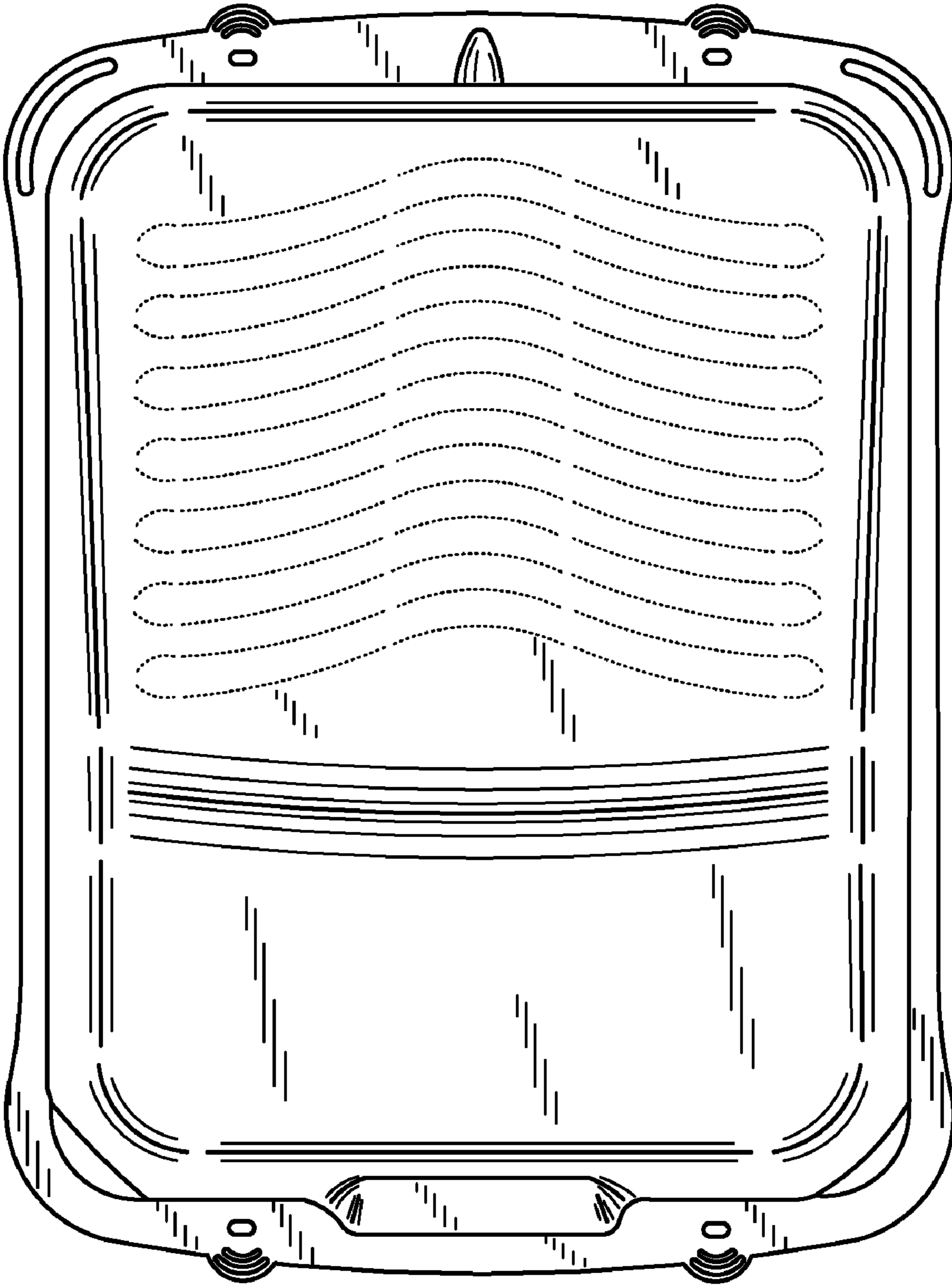
*Fig. 4*



*Fig. 5*



*Fig. 6*



*Fig. 7*

**UNITED STATES PATENT AND TRADEMARK OFFICE**  
**Certificate**

Patent No. D. 630,393 S

Patented: January 4, 2011

On petition requesting issuance of a certificate for correction of inventorship pursuant to 35 U.S.C. 256, it has been found that the above identified patent, through error and without any deceptive intent, improperly sets forth the inventorship.

Accordingly, it is hereby certified that the correct inventorship of this patent is: Mark W. Bergman, Minnetonka, MN (US); Christopher M. Bergman, Hopkins, MN (US); Matthew V. Leyden, St. Paul, MN (US); Jeffrey B. Waffensmith, North Oaks, MN (US); and Jeffrey T. Given, St. Paul, MN (US).

Signed and Sealed this Twenty-fifth Day of June 2013.

**CATHRON BROOKS**  
*Supervisory Patent Examiner*  
Art Unit 2911  
Technology Center 2900