



US00D630392S

(12) **United States Design Patent**
Lin

(10) **Patent No.:** **US D630,392 S**
(45) **Date of Patent:** **** Jan. 4, 2011**

(54) **DUST COLLECTOR**

(76) Inventor: **Tony Lin**, 3F.-5, No. 262, Sec. 2, Henan Rd., Situn District, Taichung City 407 (TW)

(**) Term: **14 Years**

(21) Appl. No.: **29/352,579**

(22) Filed: **Dec. 22, 2009**

(51) **LOC (9) Cl.** **15-05**

(52) **U.S. Cl.** **D32/21**

(58) **Field of Classification Search** D32/1, D32/21, 31, 25, 23-24; 55/356, 315, 337, 55/346, 472, 343, 429, 428, DIG. 3, 459.1, 55/345, 336, 342; 95/273; D15/138, 141; 451/453, 456, 451; 15/347; D23/393, 394, D23/391, 386, 387; 285/7, 424, 179, 134.1, 285/189; 454/306

See application file for complete search history.

(56) **References Cited**

U.S. PATENT DOCUMENTS

D501,964 S *	2/2005	Cheng	D32/21
D518,610 S *	4/2006	Cheng	D32/21
D527,852 S *	9/2006	Tsai	D32/1
D531,769 S *	11/2006	Lin	D32/21

D533,694 S *	12/2006	Cheng	D32/21
D549,892 S *	8/2007	Lin	D32/1
D591,465 S *	4/2009	Lin	D32/21
D593,264 S *	5/2009	Lin	D32/21
7,550,021 B2 *	6/2009	Witter	55/295
D596,816 S *	7/2009	Leasure et al.	D32/21
2005/0257507 A1 *	11/2005	Tsai	55/428
2006/0016162 A1 *	1/2006	Lin	55/428
2008/0016830 A1 *	1/2008	Witter	55/337

* cited by examiner

Primary Examiner—Ruth McInroy

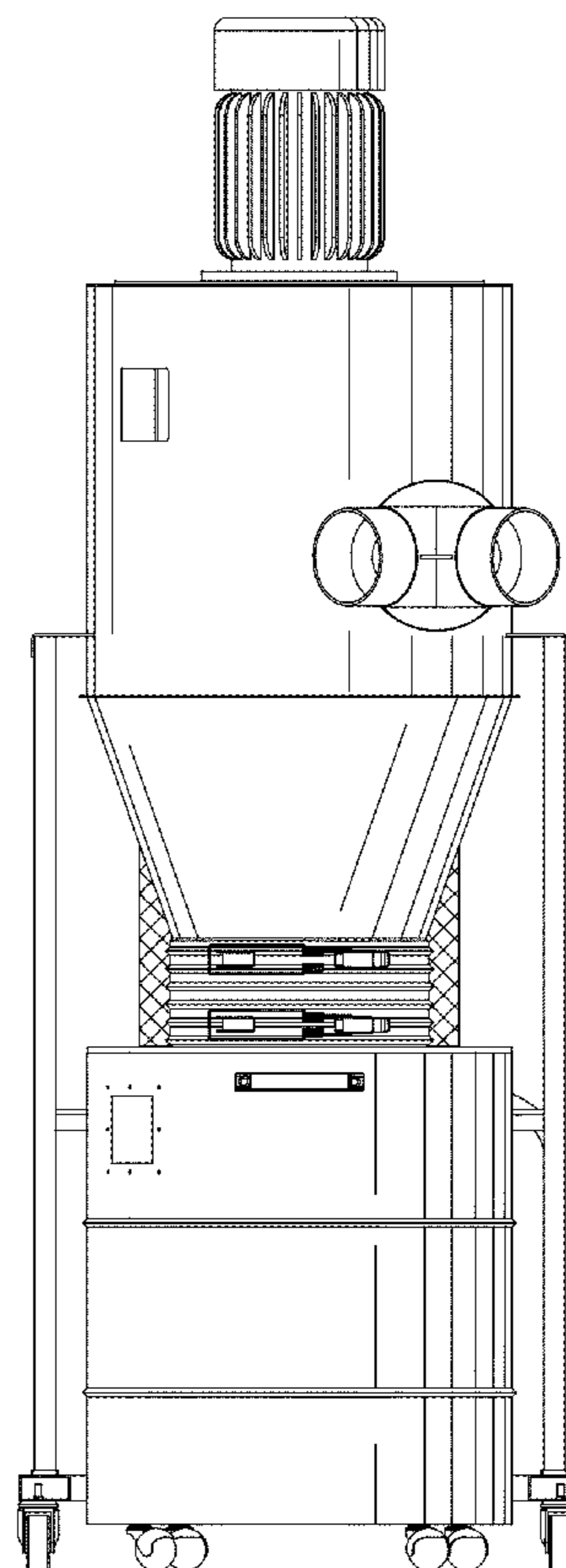
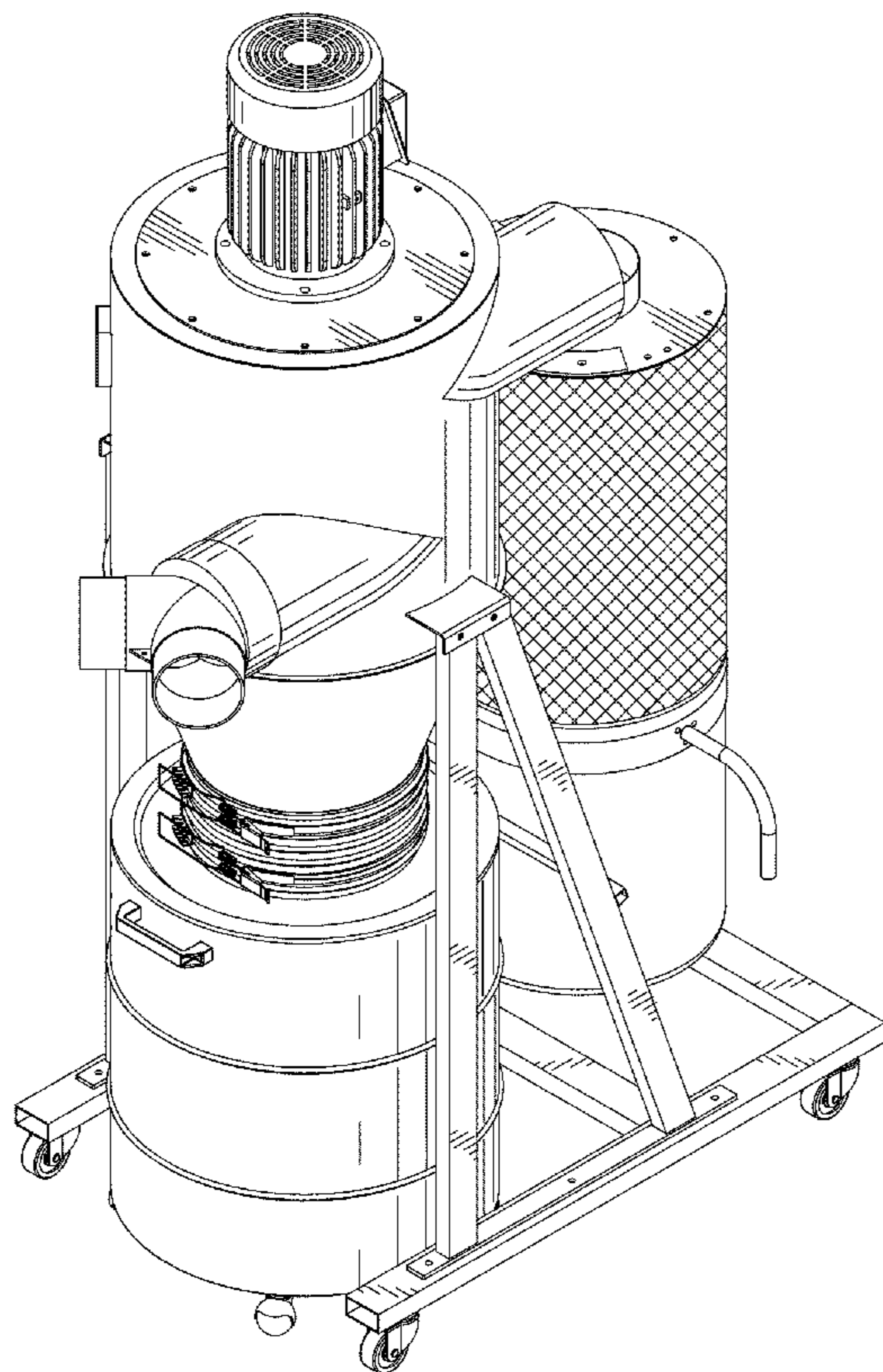
(57) **CLAIM**

I claim the ornamental design for a dust collector, as shown and described.

DESCRIPTION

FIG. 1 is a perspective view of a dust collector;
 FIG. 2 is a front view thereof;
 FIG. 3 is a rear view thereof;
 FIG. 4 is a left view thereof;
 FIG. 5 is a right view thereof;
 FIG. 6 is a top plan view thereof; and,
 FIG. 7 is a bottom plan view thereof.

1 Claim, 6 Drawing Sheets



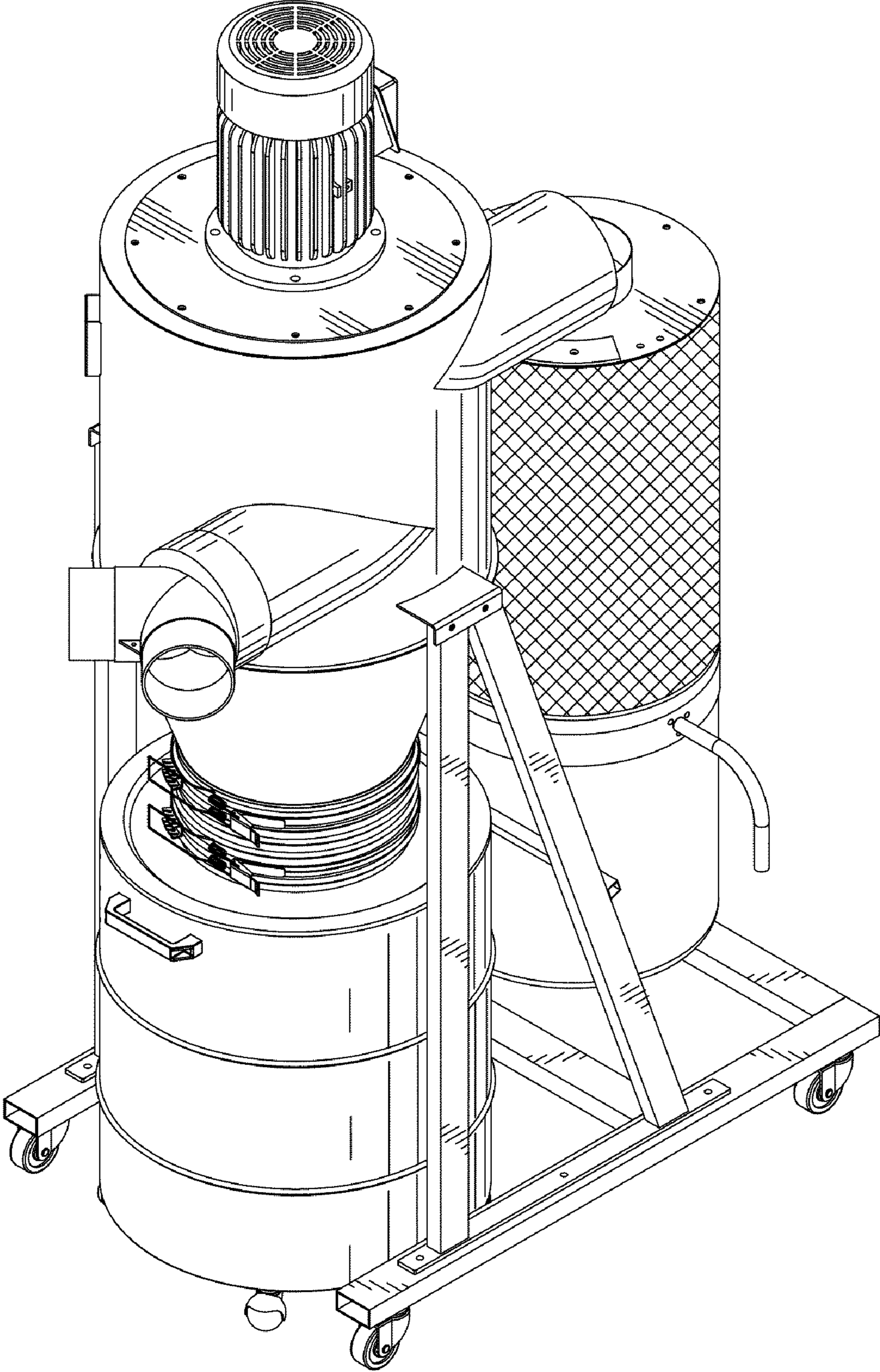


FIG. 1

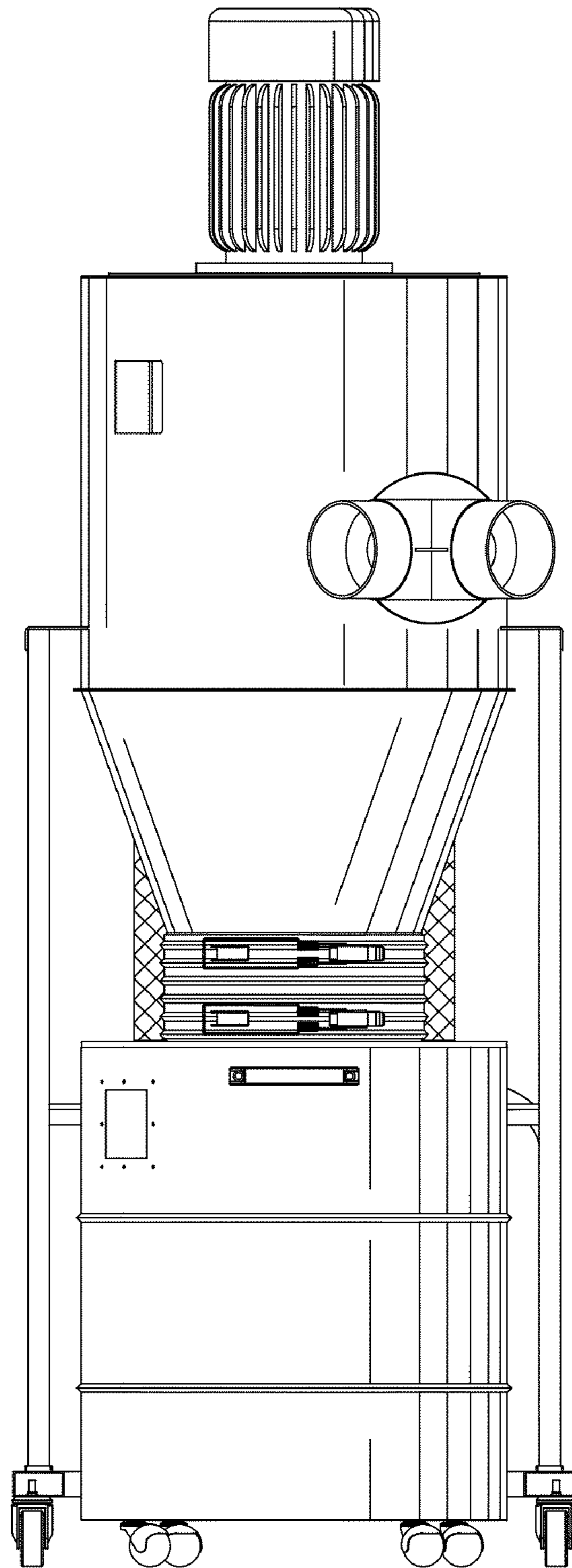


FIG. 2

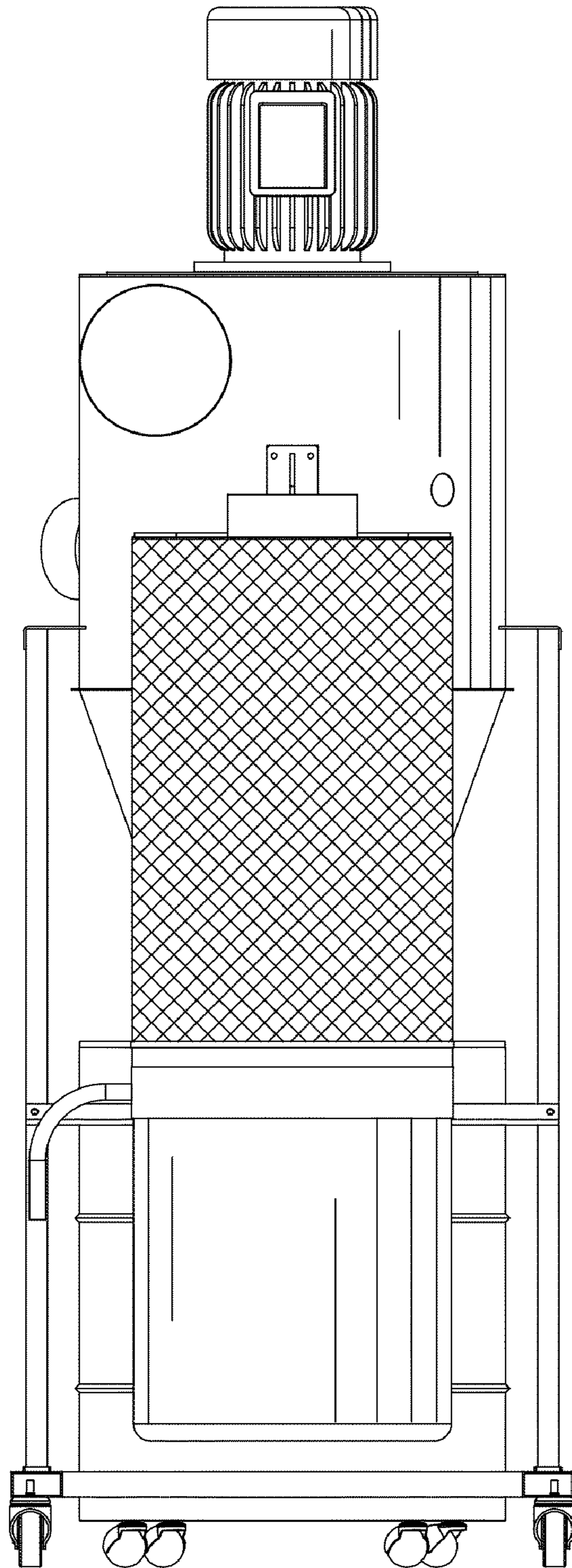


FIG. 3

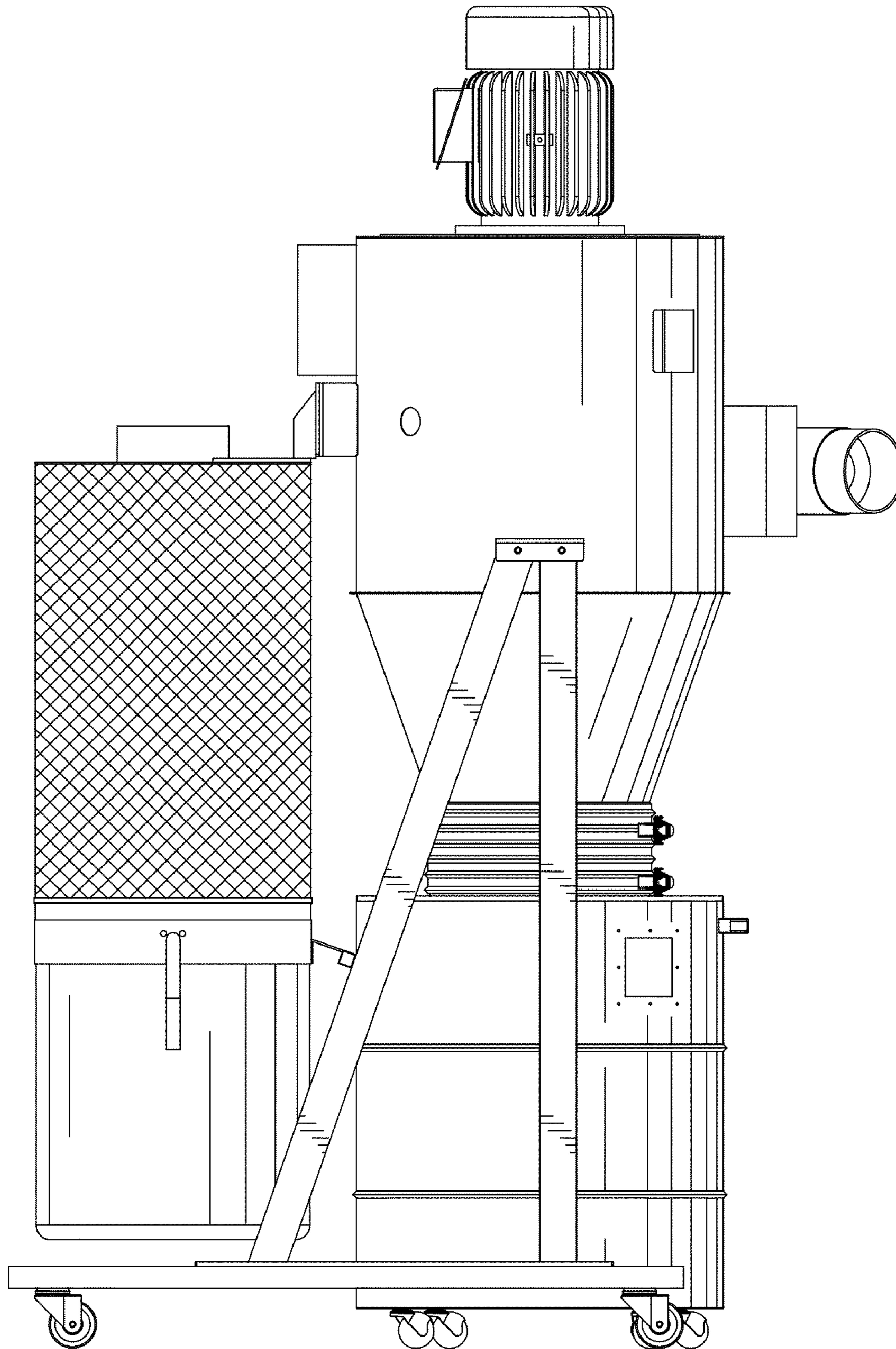


FIG. 4

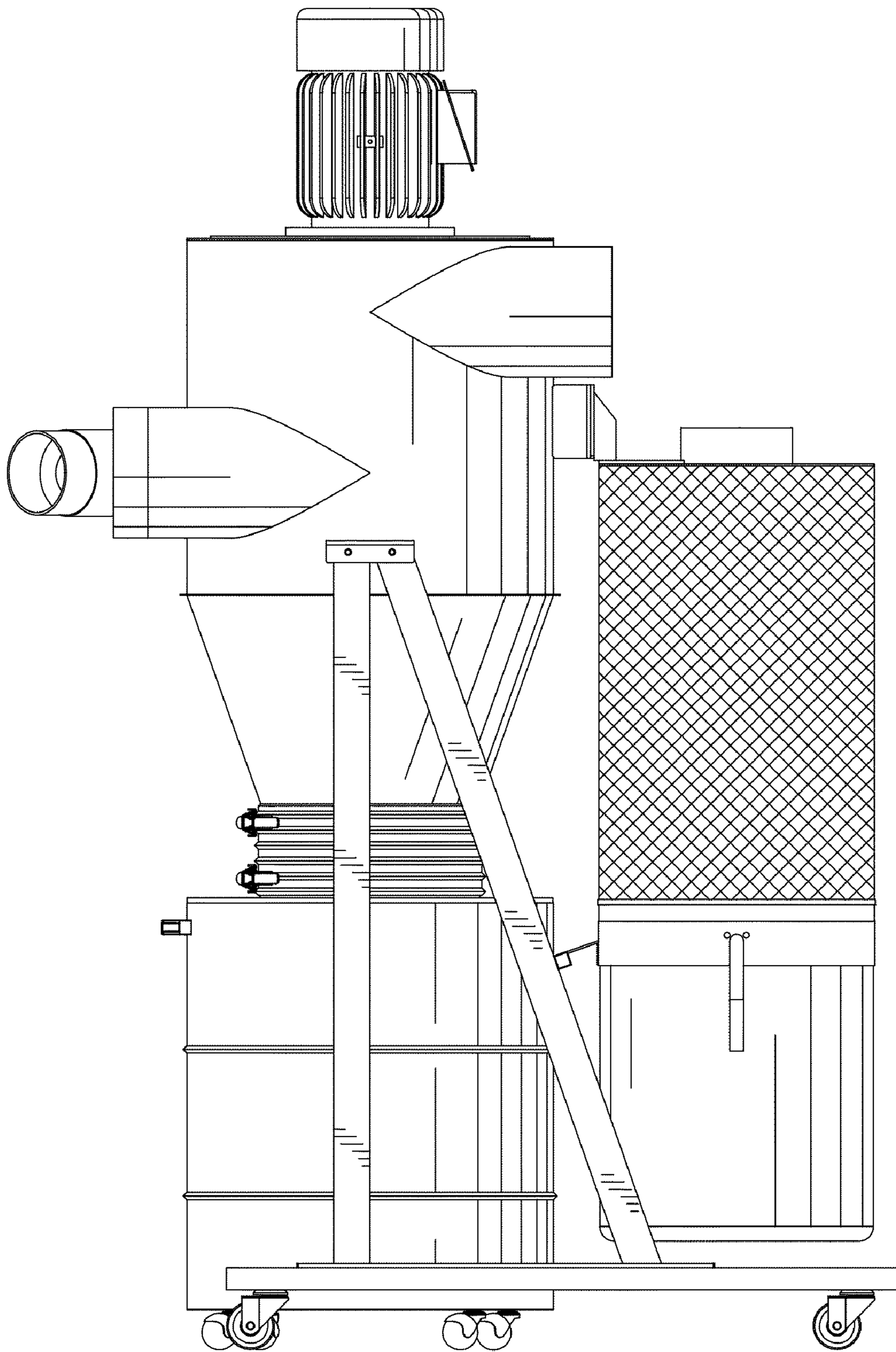


FIG. 5

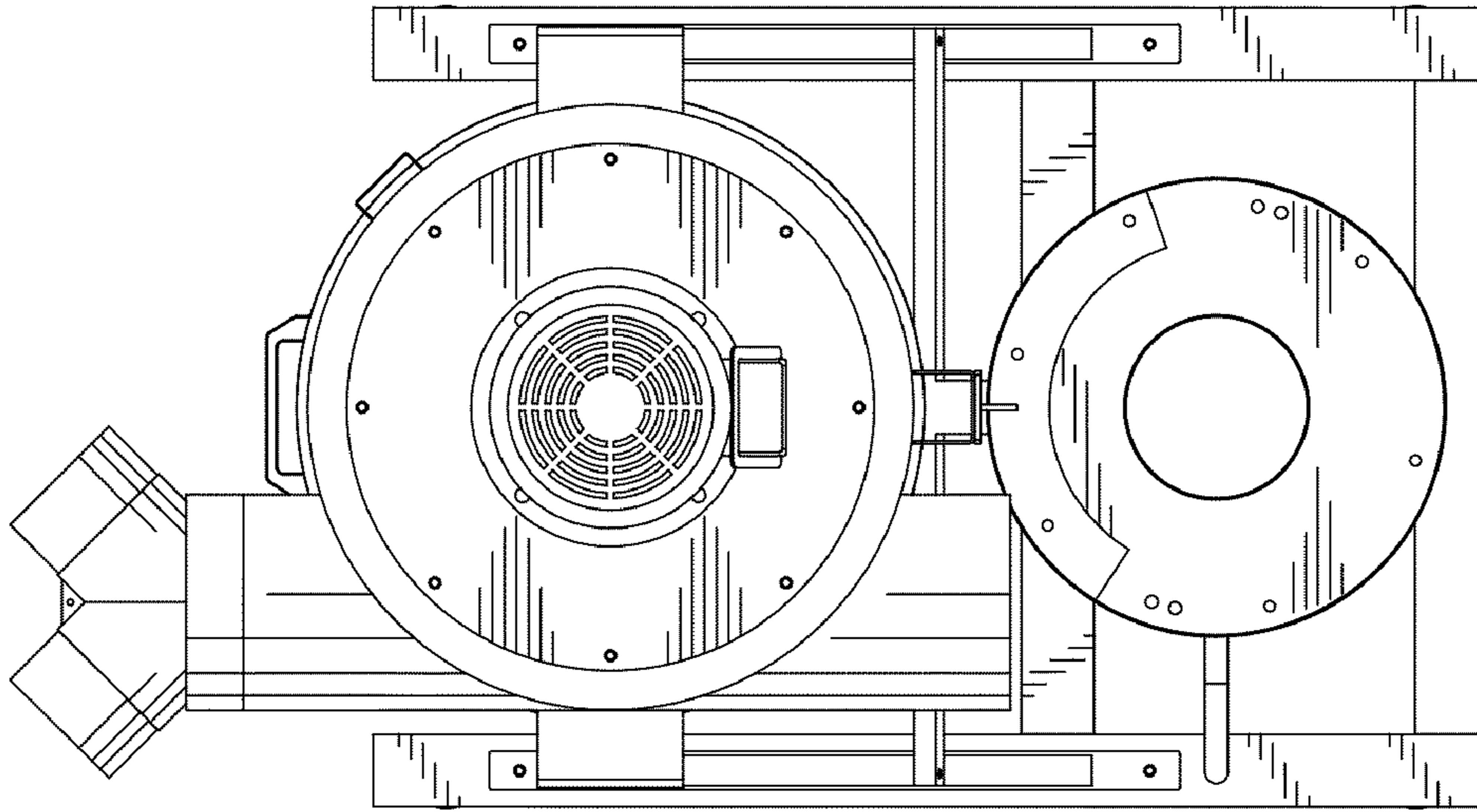


FIG. 6

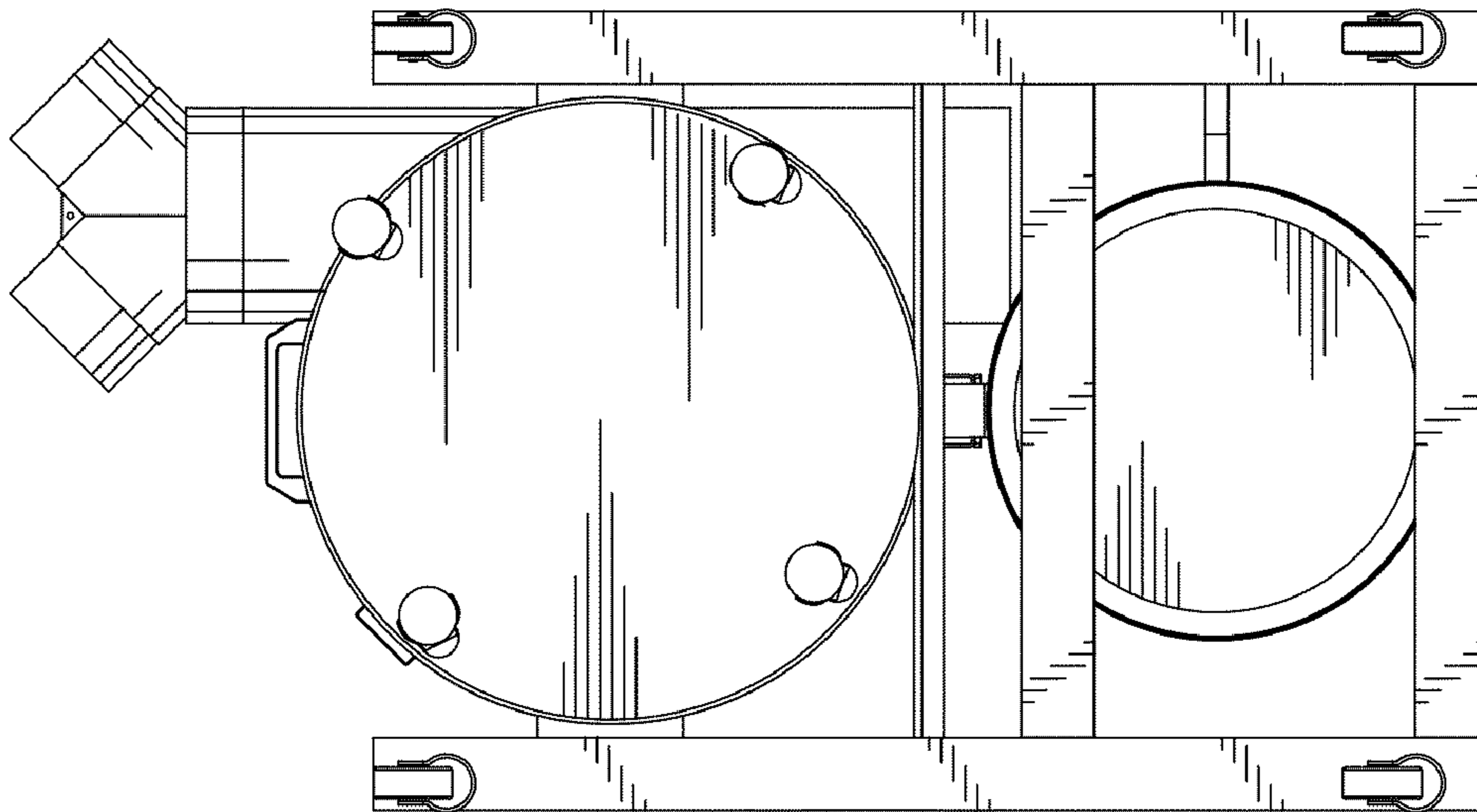


FIG. 7