



US00D630391S

(12) **United States Design Patent**  
**Cheng**

(10) **Patent No.:** **US D630,391 S**

(45) **Date of Patent:** **\*\* Jan. 4, 2011**

(54) **DUST COLLECTOR**

(75) **Inventor:** **Mao-Nan Cheng**, Fongyuan (TW)

(73) **Assignee:** **San Ford Machinery Co., Ltd.**,  
Taichung County (TW)

(\*\*) **Term:** **14 Years**

(21) **Appl. No.:** **29/341,134**

(22) **Filed:** **Jul. 31, 2009**

(51) **LOC (9) Cl.** ..... **15-05**

(52) **U.S. Cl.** ..... **D32/21**

(58) **Field of Classification Search** ..... D32/1,  
D32/21, 31, 25, 23-24; 55/356, 315, 337,  
55/346, 472, 343, 429, 428, DIG. 3, 459.1,  
55/345, 336, 342; 95/273; D15/138, 141;  
451/453, 456, 451; 15/347; D23/393, 394,  
D23/391, 386, 387; 285/7, 424, 179, 134.1,  
285/189; 454/306

See application file for complete search history.

(56) **References Cited**

**U.S. PATENT DOCUMENTS**

D501,964 S *	2/2005	Cheng	.....	D32/21
D518,610 S *	4/2006	Cheng	.....	D32/21
D527,852 S *	9/2006	Tsai	.....	D32/1
D531,769 S *	11/2006	Lin	.....	D32/21

D549,892 S *	8/2007	Lin	.....	D32/1
D591,465 S *	4/2009	Lin	.....	D32/21
7,550,021 B2 *	6/2009	Witter	.....	55/295
D596,816 S *	7/2009	Leasure et al.	.....	D32/21
2005/0257507 A1 *	11/2005	Tsai	.....	55/428
2006/0016162 A1 *	1/2006	Lin	.....	55/428
2008/0016830 A1 *	1/2008	Witter	.....	55/337

\* cited by examiner

*Primary Examiner*—Ruth McInroy

(74) *Attorney, Agent, or Firm*—Ming Chow; Sinorica, LLC

(57) **CLAIM**

I claim the ornamental design for a dust collector, as shown and described.

**DESCRIPTION**

FIG. 1 is a front perspective view of a dust collector showing my new design;

FIG. 2 is a front elevational view thereof;

FIG. 3 is a rear elevational view thereof.

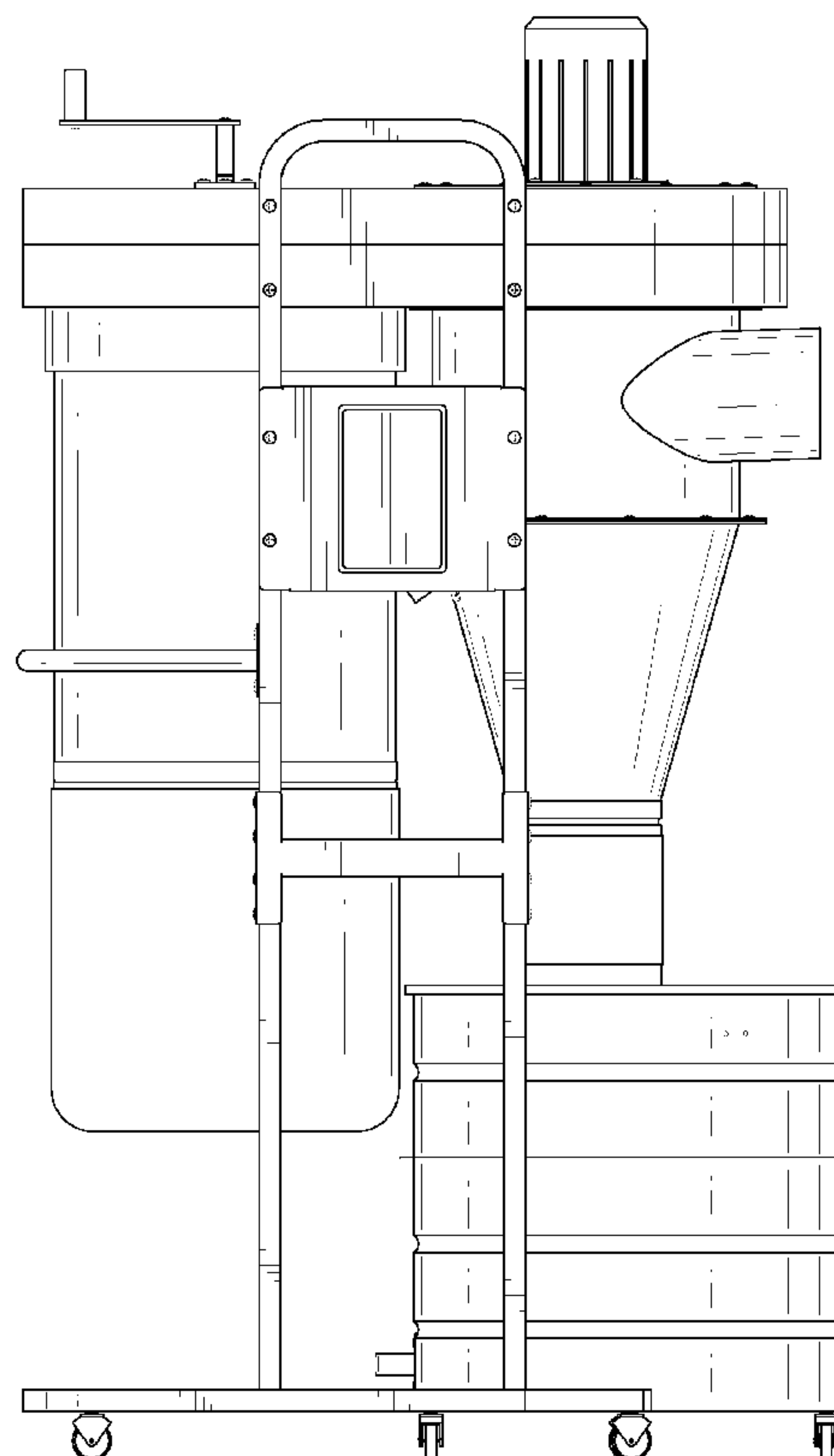
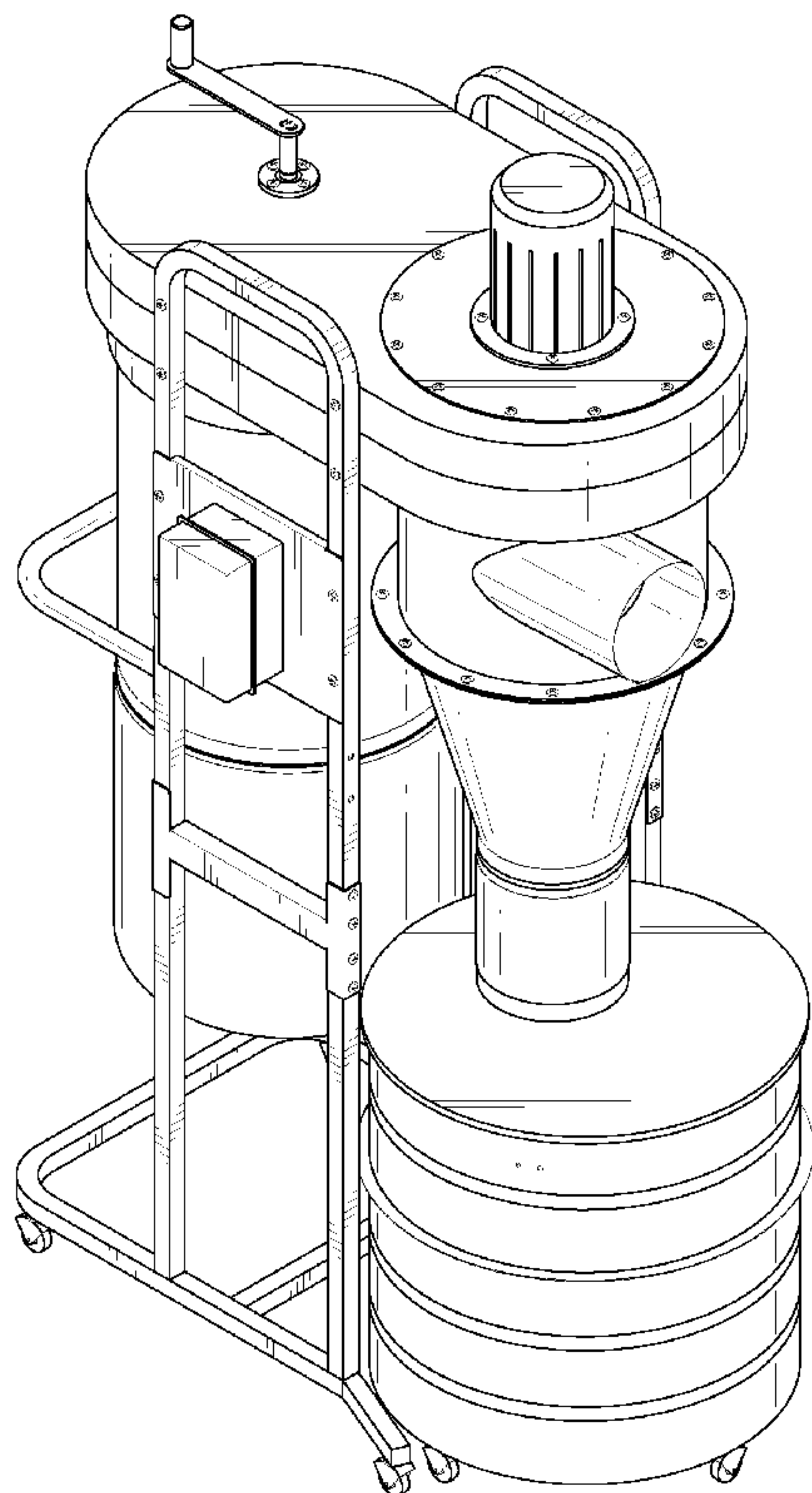
FIG. 4 is a left side elevational view thereof;

FIG. 5 is a right side elevational view thereof;

FIG. 6 is a top plan view thereof; and,

FIG. 7 is a bottom plan view thereof.

**1 Claim, 6 Drawing Sheets**



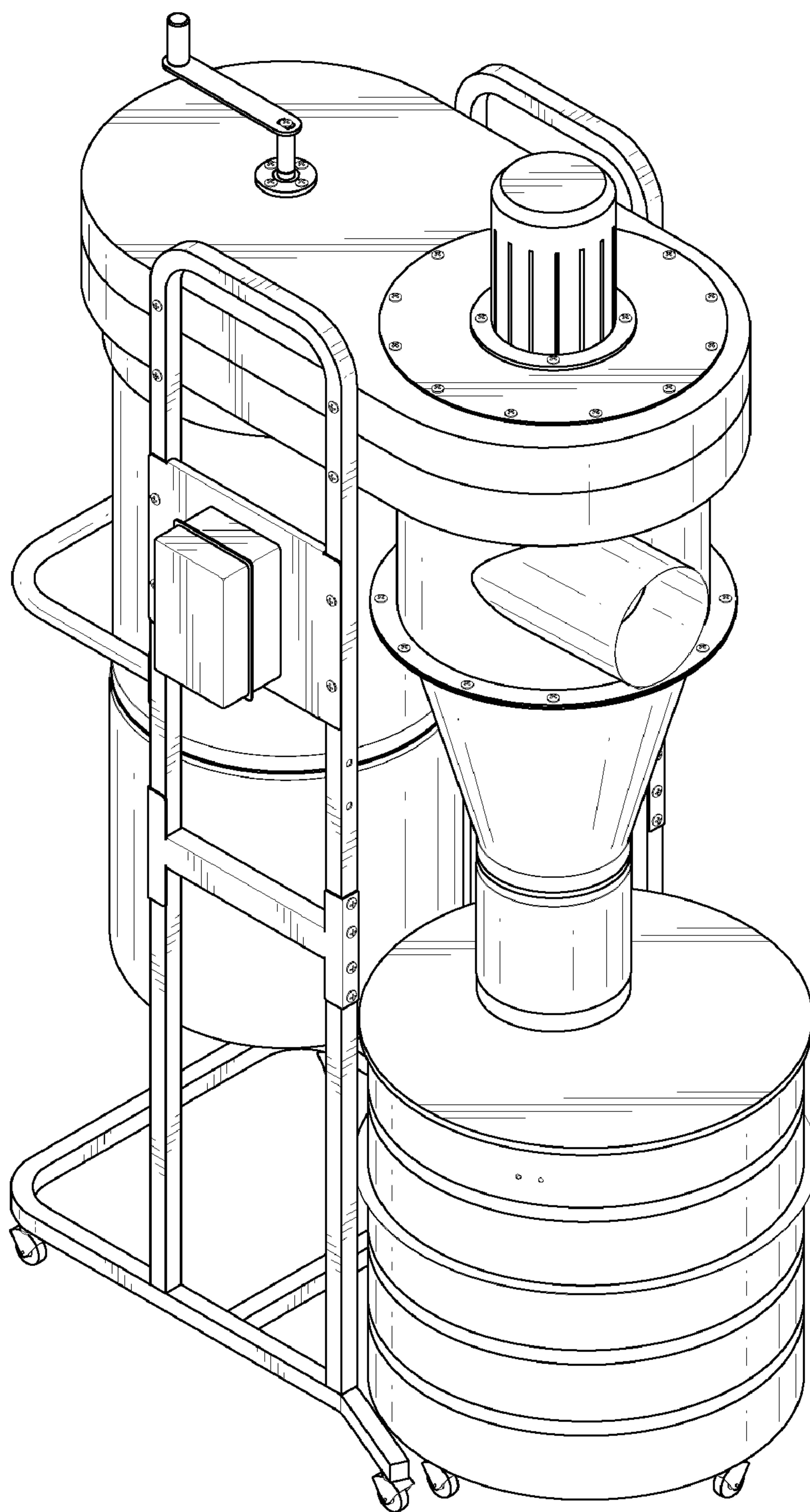


FIG. 1

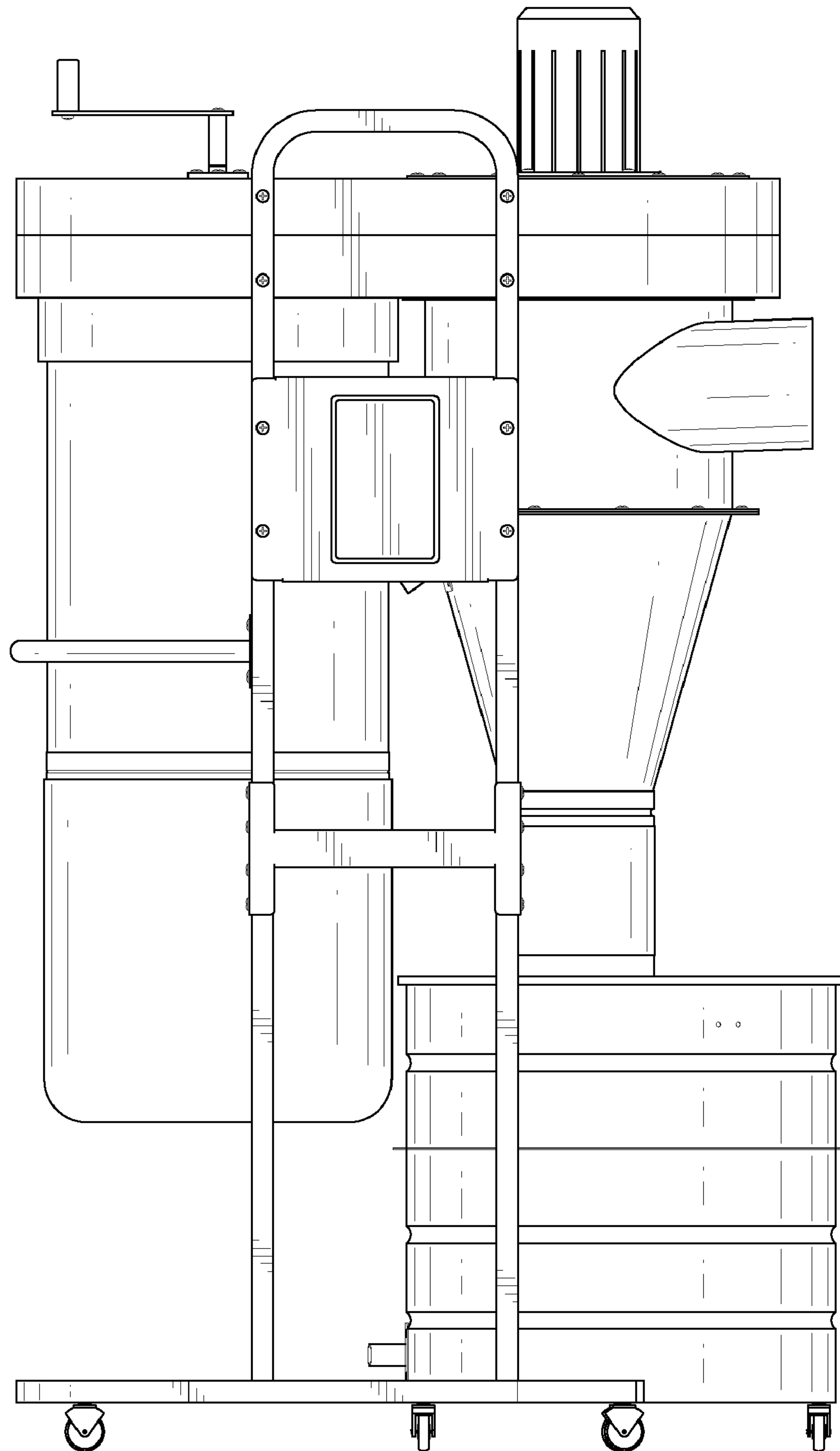


FIG. 2

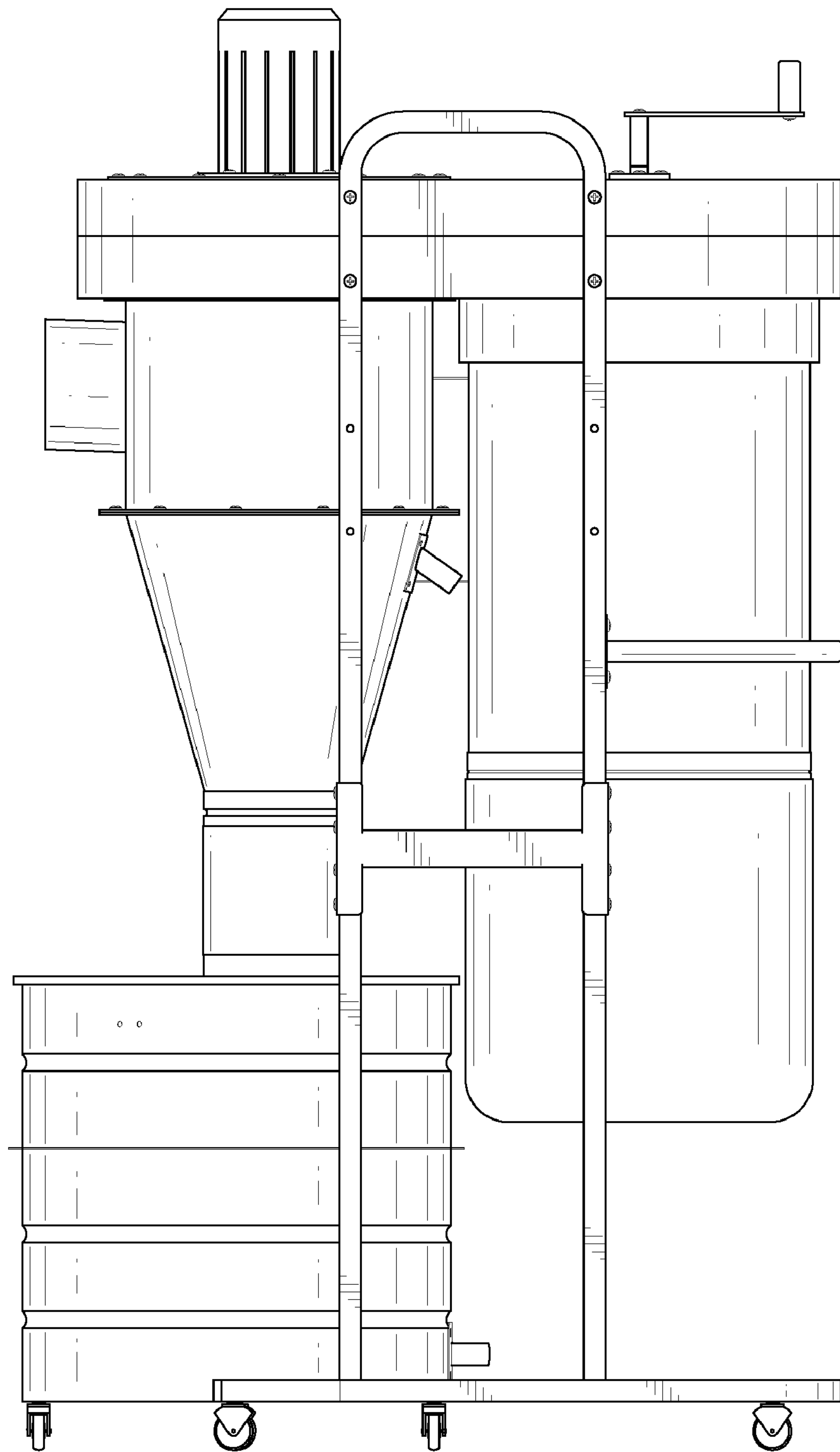


FIG. 3

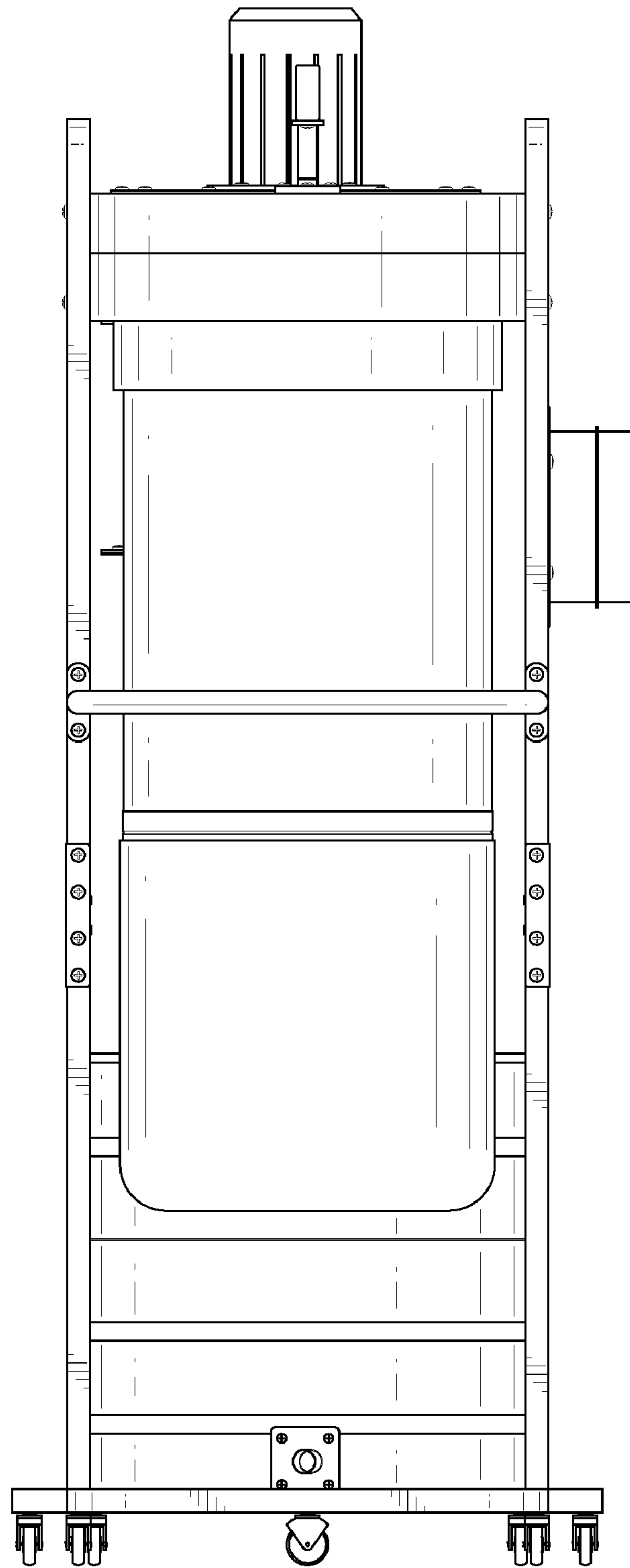


FIG. 4

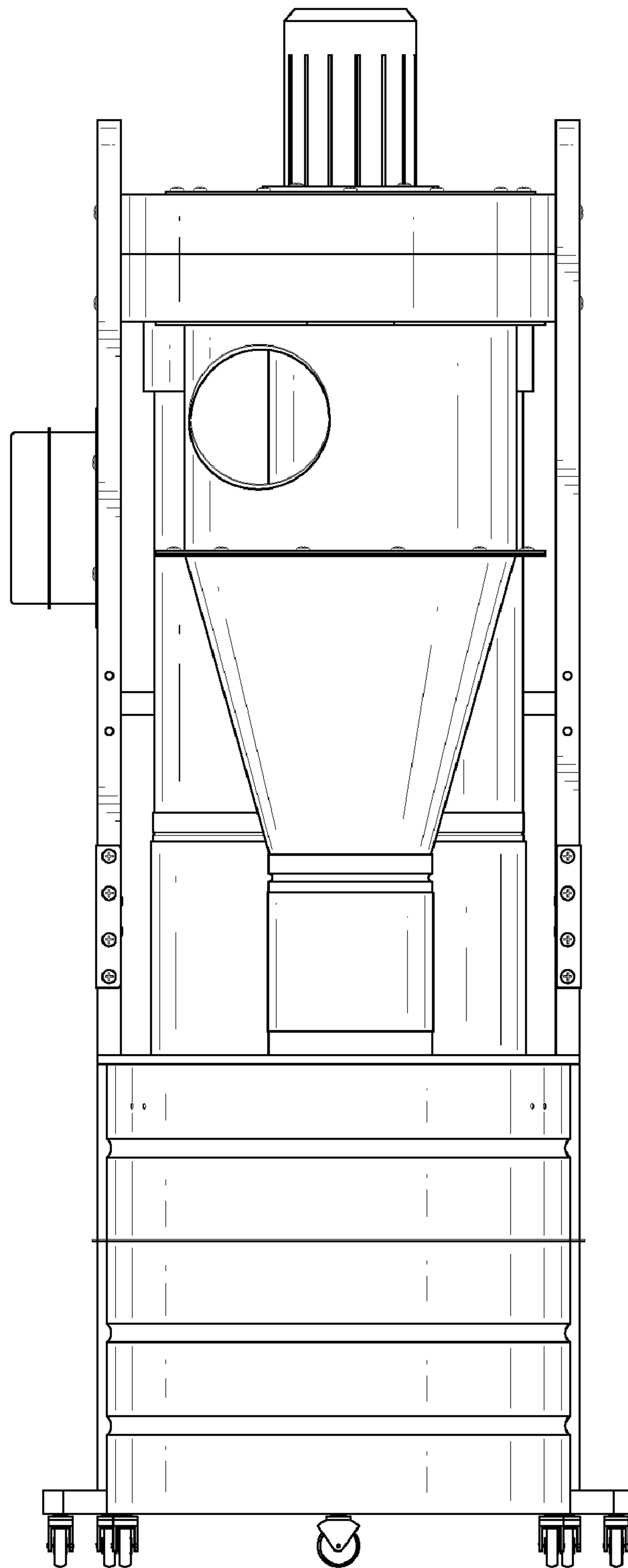


FIG. 5

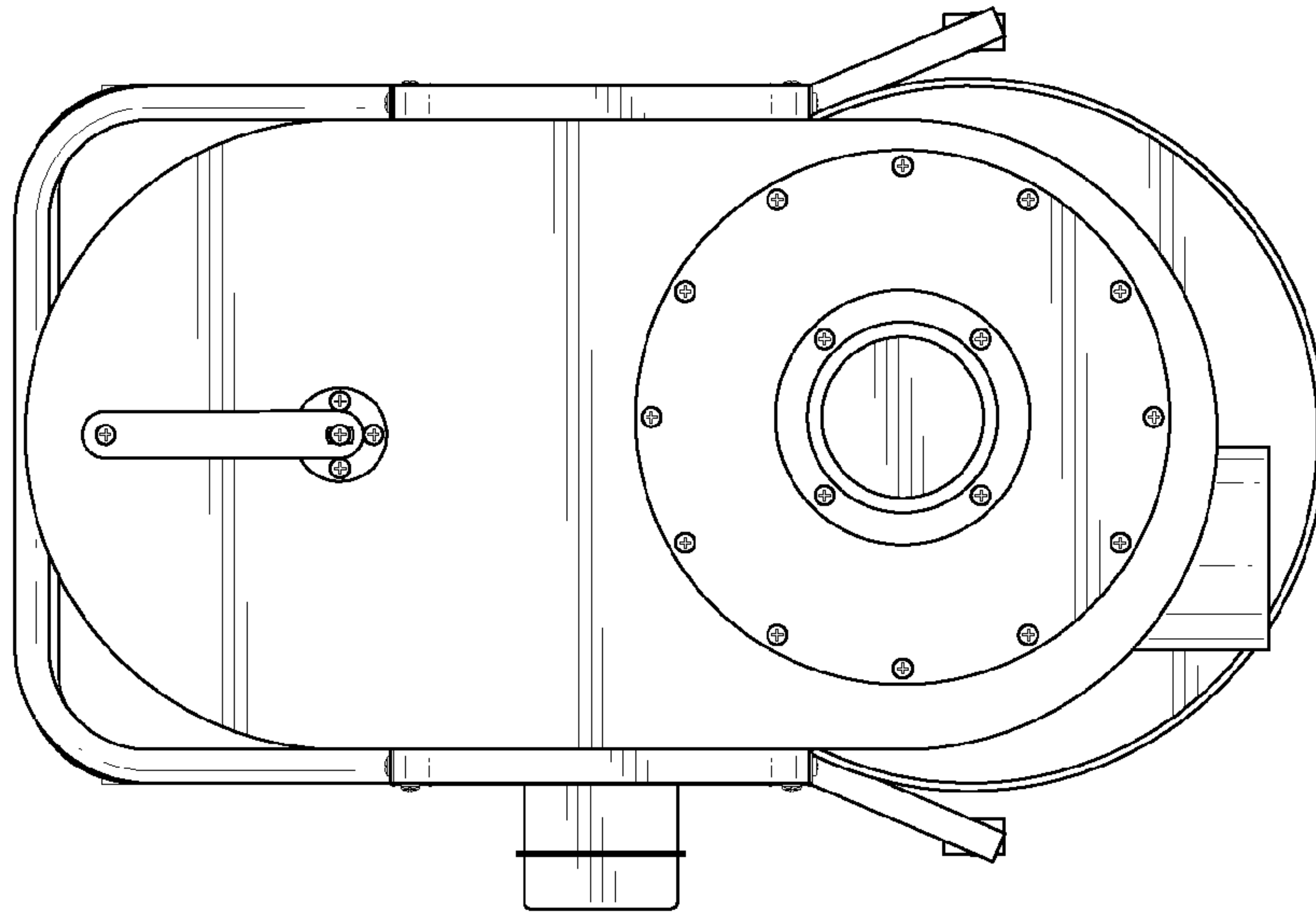


FIG. 6

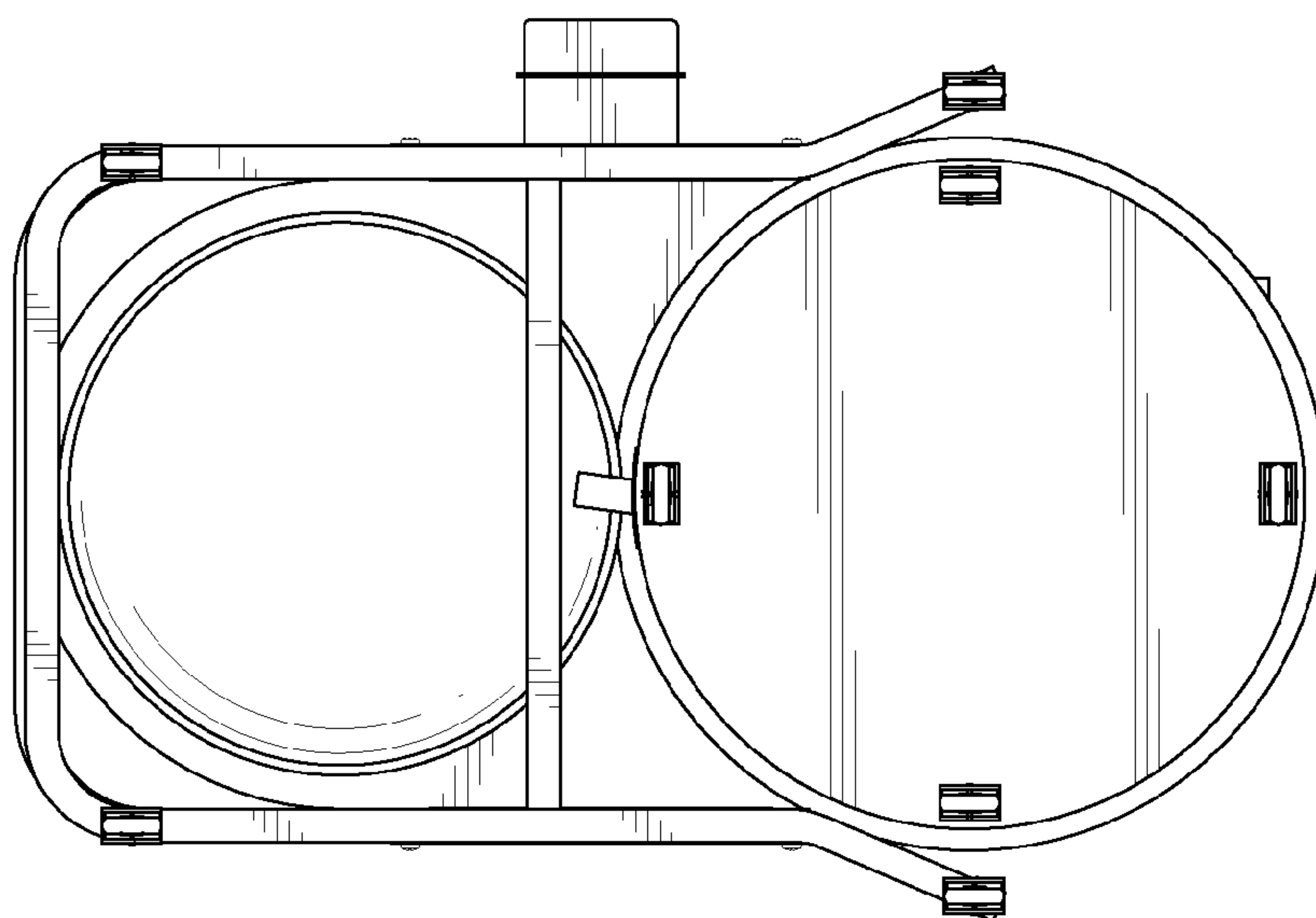


FIG. 7