



US00D630390S

(12) **United States Design Patent**
Meyer

(10) **Patent No.:** **US D630,390 S**

(45) **Date of Patent:** **** Jan. 4, 2011**

(54) **HIGH PRESSURE CLEANER**

D591,014 S * 4/2009 Li D32/15

(75) Inventor: **Michael Meyer**, Schwaikheim (DE)

(73) Assignee: **Alfred Kaercher GmbH & Co. KG**,
Winnenden (DE)

(**) Term: **14 Years**

(21) Appl. No.: **29/348,435**

(22) Filed: **Jan. 4, 2010**

(30) **Foreign Application Priority Data**

Jul. 20, 2009 (WO) DM/072 065

(51) **LOC (9) Cl.** **15-05**

(52) **U.S. Cl.** **D32/15**

(58) **Field of Classification Search** D32/1,
D32/4, 21-22; 239/146-147, 158, 172, 322;
15/320-321, 323, 405; 134/103.2, 199, 201;
D34/16-27

See application file for complete search history.

(56) **References Cited**

U.S. PATENT DOCUMENTS

D532,166 S *	11/2006	Reverberi	D32/4
D546,146 S *	7/2007	Hardy et al.	D8/13
D551,812 S *	9/2007	Renner	D32/15
D551,813 S *	9/2007	Renner	D32/15
D551,814 S *	9/2007	Renner	D32/15
D556,959 S *	12/2007	Li	D32/15
D559,481 S *	1/2008	Renner	D32/15
D560,046 S *	1/2008	Renner	D32/15
D563,612 S *	3/2008	Li	D32/15
D564,147 S *	3/2008	Li	D32/15
D570,060 S *	5/2008	Renner et al.	D32/15

OTHER PUBLICATIONS

Extract from catalog of Alfred Kaercher GmbH & Co. KG, "Programme 2005", cover, pp. 8-17, 67-73, 75, 77-83, 85 and last page (Dec. 2004).

Extract from catalog of Alfred Kaercher GmbH & Co. KG, "Programme 2006", cover, pp. 7-19, 72-77, 80, 81, 83-91, 93 and last page (Dec. 2005).

(Continued)

Primary Examiner—T. Chase Nelson

Assistant Examiner—Kathleen M Sims

(74) *Attorney, Agent, or Firm*—Lipsitz & McAllister, LLC

(57) **CLAIM**

The ornamental design for a high pressure cleaner, as shown and described.

DESCRIPTION

FIG. 1 is a front, top and right side perspective view of a high pressure cleaner showing my new design;

FIG. 2 is a front, top and left side perspective view of the design;

FIG. 3 is a front elevational view of the design;

FIG. 4 is a right side elevational view of the design;

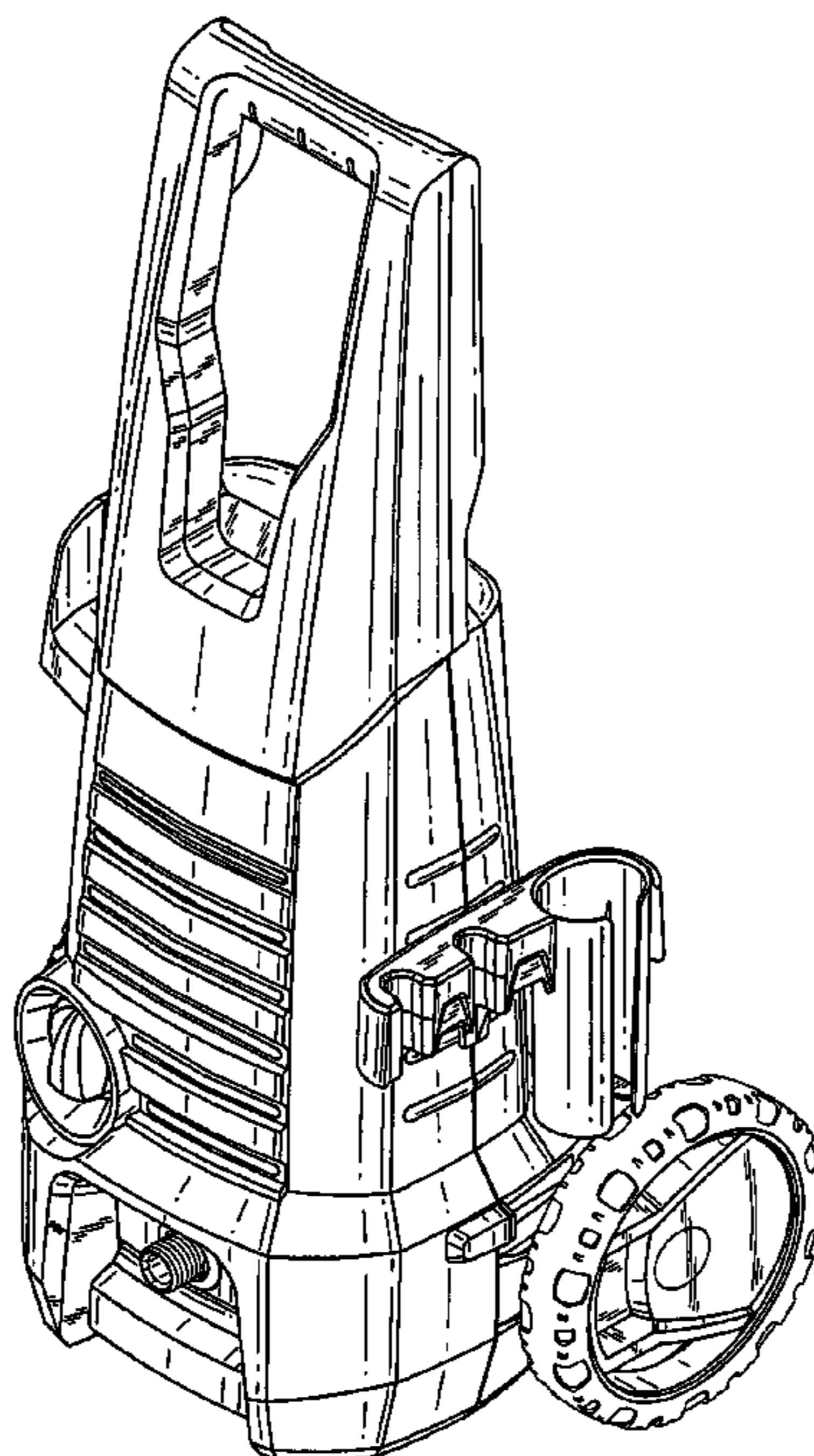
FIG. 5 is a rear elevational view of the design;

FIG. 6 is a left side elevational view of the design; and,

FIG. 7 is a top plan view of the design.

The broken line showing of various elements in the drawings is for the purpose of illustrating portions of hardware and mechanical structure and forms no part of the claimed design.

1 Claim, 7 Drawing Sheets



OTHER PUBLICATIONS

Extract from catalog of Alfred Kaercher GmbH & Co. KG, "Programme 2007", cover, pp. 20-31, 90-99 and last page (Jan. 2007).

Extract from catalog of Alfred Kaercher GmbH & Co. KG, "Programme 2008", cover, pp. 19, 21-31, 95-103, and last page (Dec. 2007).

Extract from catalog of Alfred Kaercher GmbH & Co. KG, "Programme 2009 Kaercher Professional Commercial", cover, pp. 10-17, and last page (Mar. 2009).

Extract from catalog of Alfred Kaercher GmbH & Co. KG, "Programme 2009 Kaercher Residential", cover, pp. 10-27, and last page (Mar. 2009).

* cited by examiner

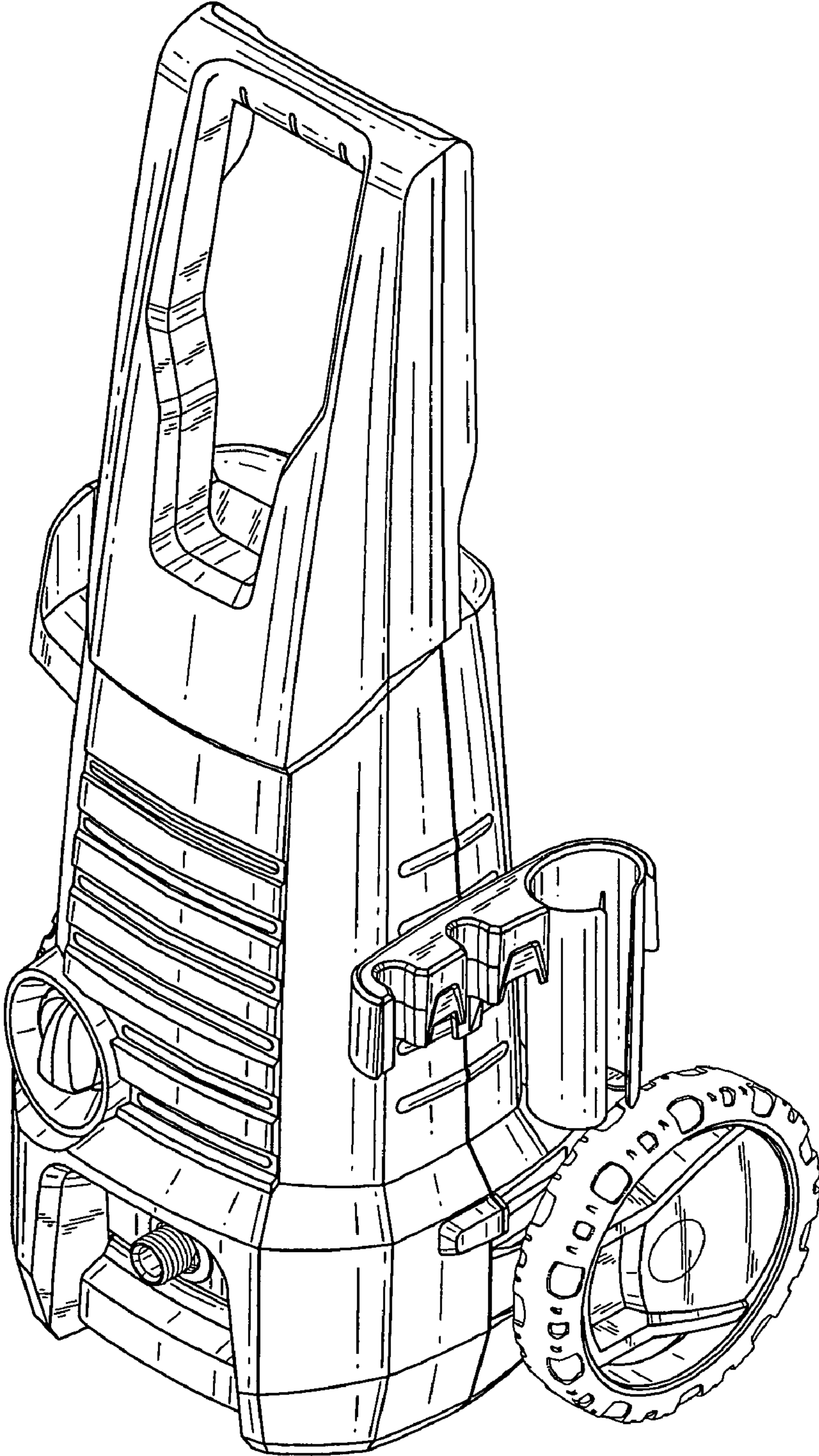


FIG. 1

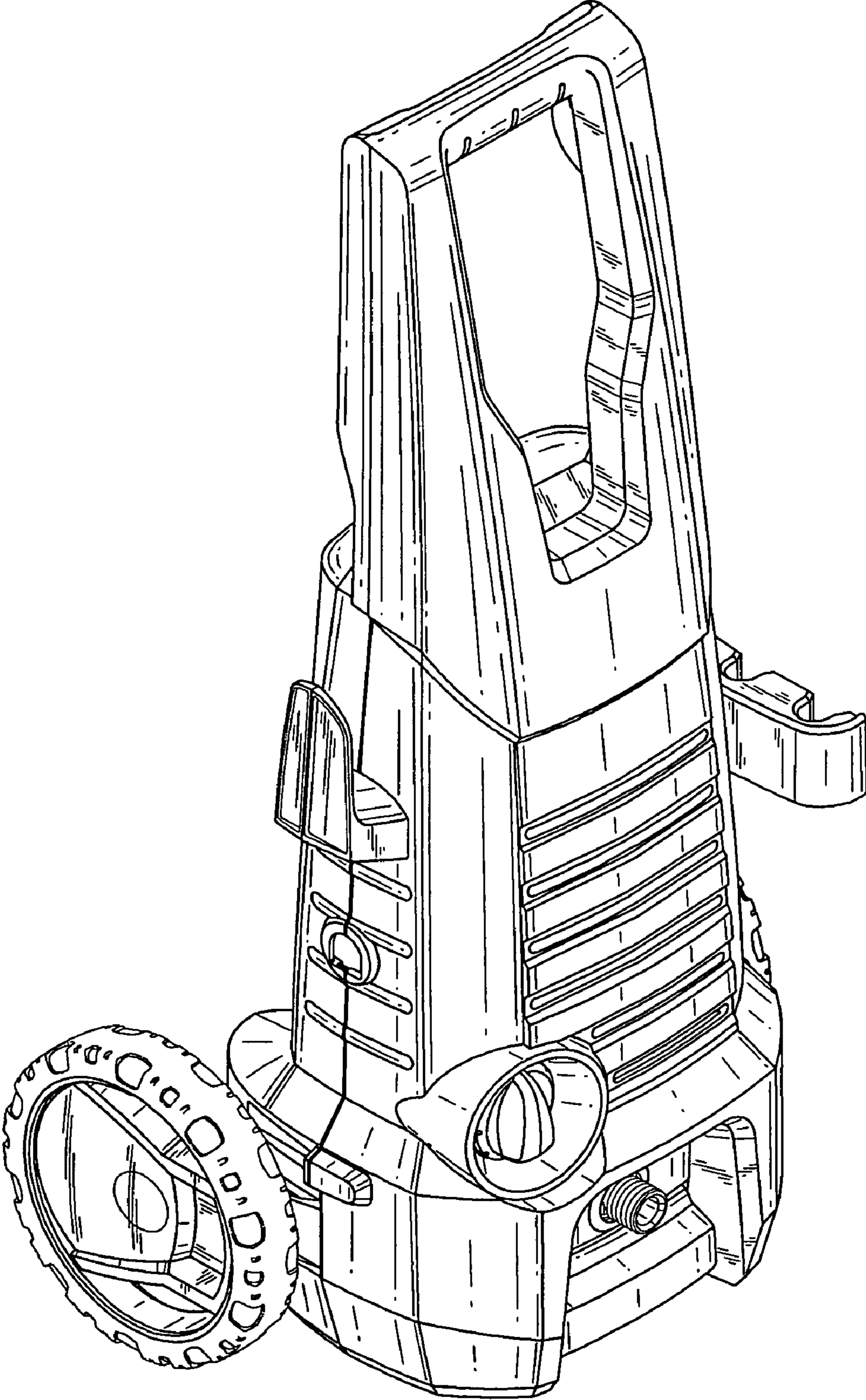


FIG. 2

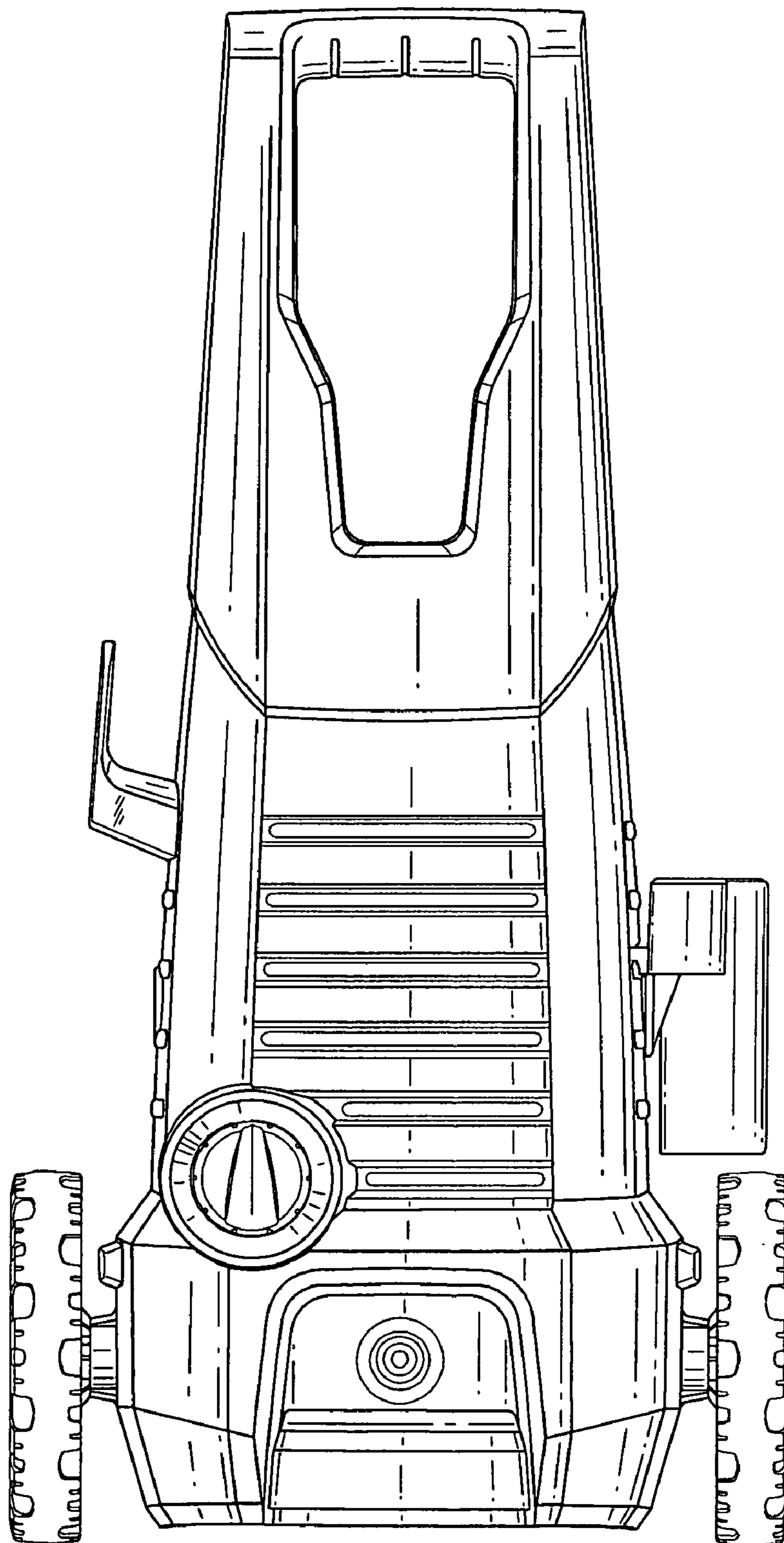


FIG. 3

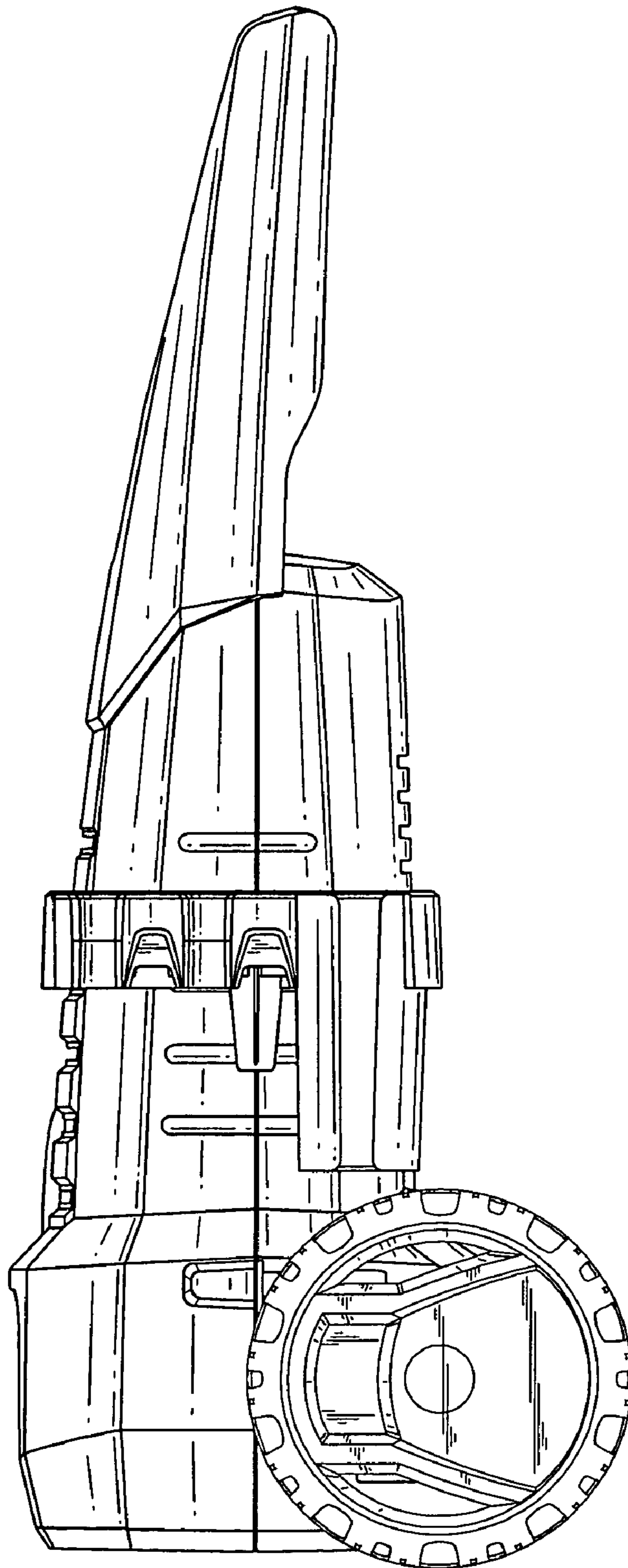


FIG. 4

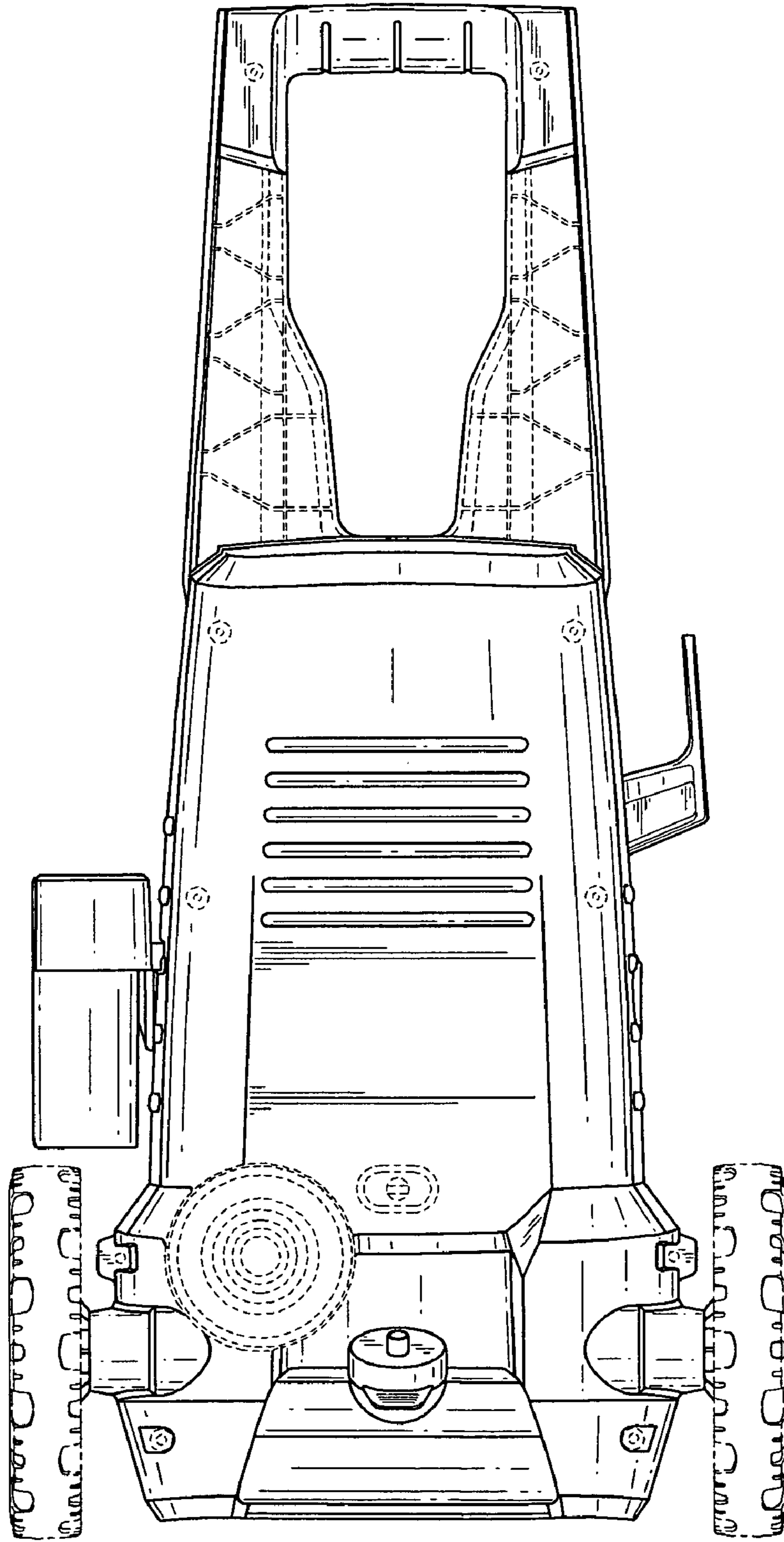


FIG. 5

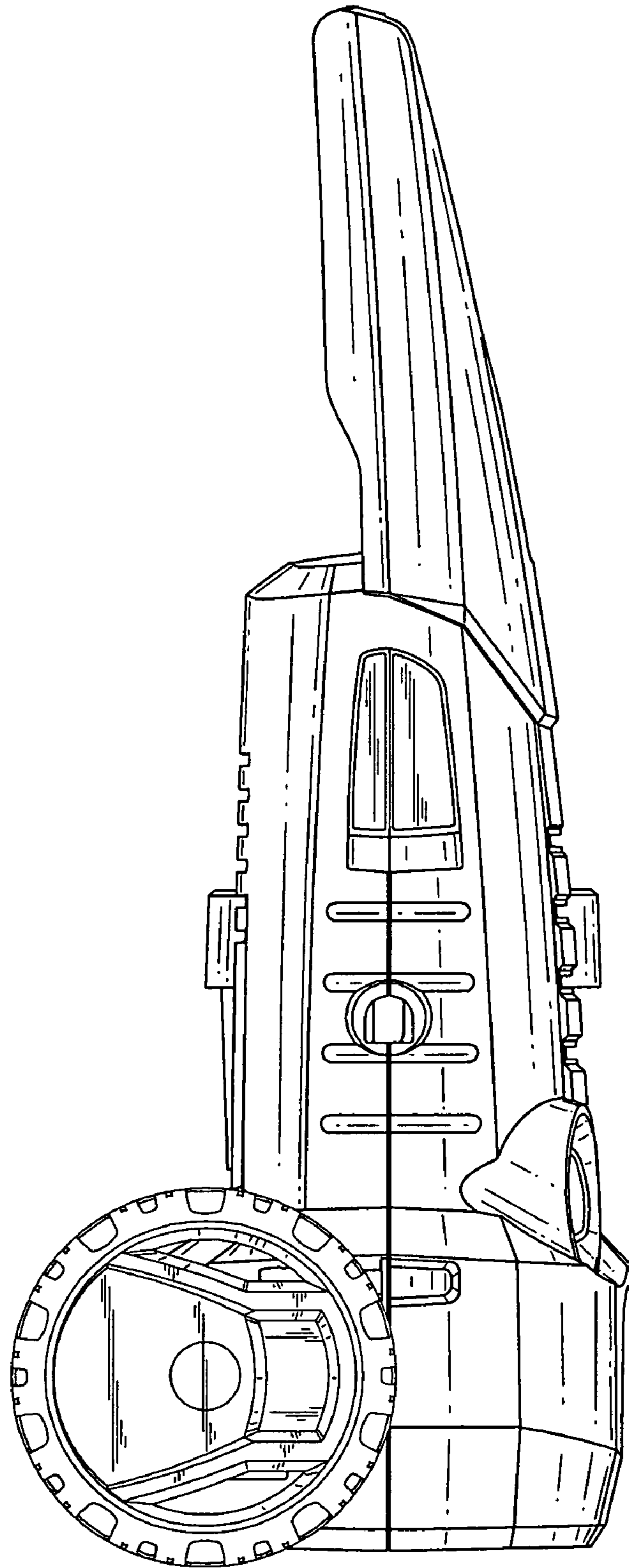


FIG. 6

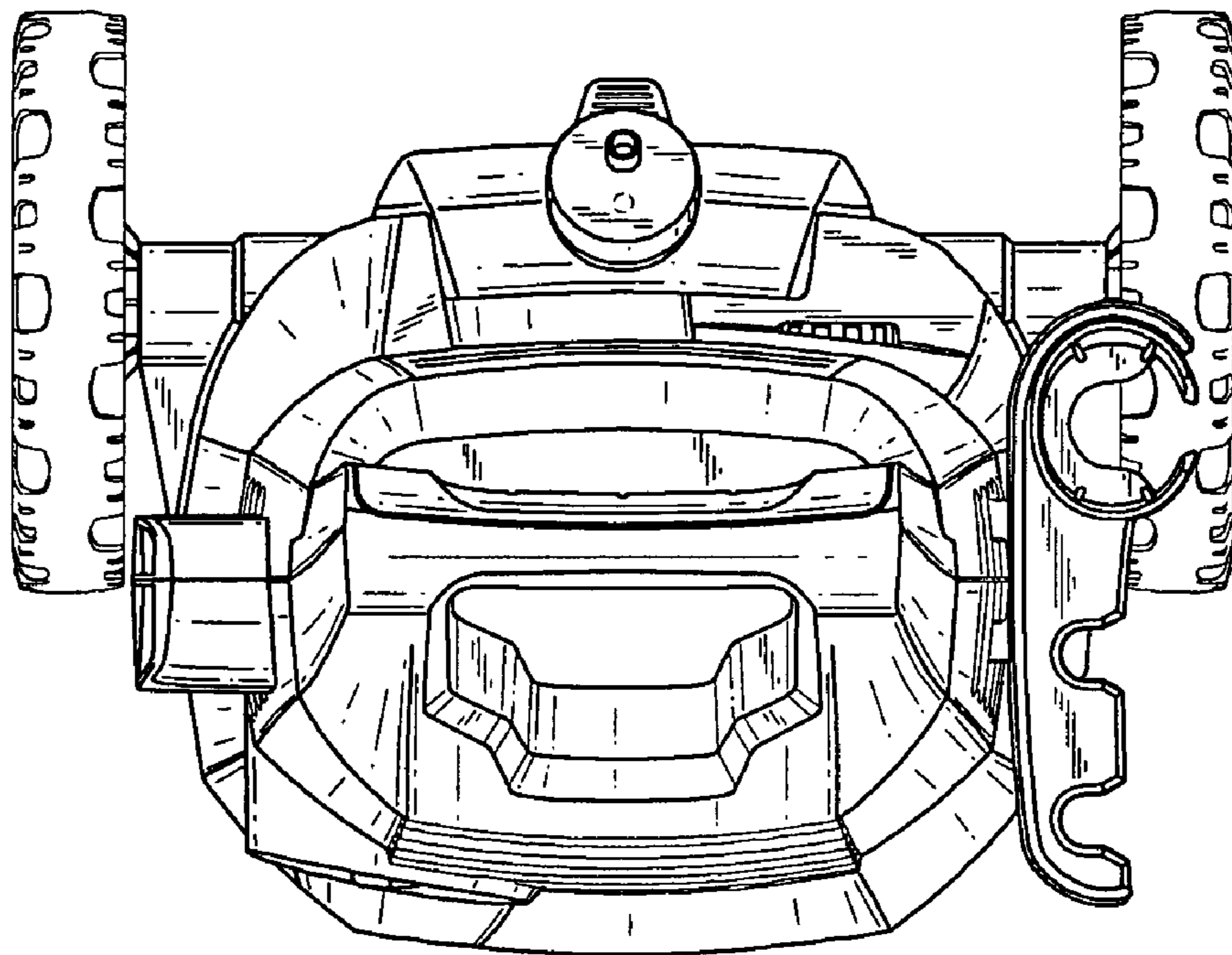


FIG. 7