



US00D630383S

(12) **United States Design Patent**
Broersma

(10) **Patent No.:** **US D630,383 S**
(45) **Date of Patent:** **** Jan. 4, 2011**

- (54) **VENTED SIDE SLOT FACE MASK**
- (75) Inventor: **Lester V. Broersma**, San Diego, CA (US)
- (73) Assignee: **JT Sports LLC**, Bentonville, AR (US)
- (**) Term: **14 Years**
- (21) Appl. No.: **29/301,279**
- (22) Filed: **Feb. 20, 2008**
- (51) **LOC (9) Cl.** **29-02**
- (52) **U.S. Cl.** **D29/110**
- (58) **Field of Classification Search** D29/102-111, D29/122; 2/9, 410-414, 416-425, 209.13, 2/906, DIG. 1, 8.1-8.2, 8.6, 8.7, 171.3, 427, 2/429, 10; 62/3.5, 259.3; 128/204.15, 889, 128/201.24, 201.15, 857-858

See application file for complete search history.

(56) **References Cited**

U.S. PATENT DOCUMENTS

6,381,749	B1 *	5/2002	Cyr	2/9
D497,039	S *	10/2004	Dehaan et al.	D29/108
D518,242	S *	3/2006	Wright et al.	D29/108
D518,605	S *	4/2006	Chen	D29/108
D522,179	S *	5/2006	Wright et al.	D29/108
D522,697	S *	6/2006	Chen	D29/108
D526,094	S *	8/2006	Chen	D29/108
D527,847	S *	9/2006	Broersma	D29/105
D529,234	S *	9/2006	Broersma	D29/108
D529,662	S *	10/2006	Broersma	D29/110
D536,833	S *	2/2007	Broersma	D29/107
D555,290	S *	11/2007	Wright et al.	D29/108
D555,837	S *	11/2007	Chen	D29/110
D556,384	S *	11/2007	Dupuis	D29/110
D557,460	S *	12/2007	Jourde et al.	D29/108
D558,403	S *	12/2007	Lee et al.	D29/108
D570,551	S *	6/2008	Broersma	D29/108
D570,552	S *	6/2008	Broersma	D29/110
D571,050	S *	6/2008	Broersma et al.	D29/108
D586,050	S *	2/2009	Chen	D29/110
D589,211	S *	3/2009	Stevens et al.	D29/110
2006/0090234	A1 *	5/2006	Cyr	2/9
2007/0050896	A1 *	3/2007	Stevens	2/427
2007/0186324	A1 *	8/2007	Sheldon et al.	2/9

2008/0086795	A1 *	4/2008	Cyr et al.	2/425
2008/0189821	A1 *	8/2008	Anderson	2/9
2009/0113590	A1 *	5/2009	Lian	2/9
2009/0113607	A1 *	5/2009	Lian	2/427

* cited by examiner

Primary Examiner—Ruth McInroy

(74) *Attorney, Agent, or Firm*—Keisling & Pieper PLC; David B. Pieper

(57) **CLAIM**

The ornamental design for a vented side slot face mask, as shown and described.

DESCRIPTION

A portion of the disclosure of this patent document contains material to which a claim for copyright is made. The copyright owner has no objection to the facsimile reproduction by anyone of the patent document or the patent disclosure, as it appears in the Patent and Trademark Office patent file or records, but reserves all other copyright rights whatsoever.

FIG. 1 is a perspective view of a vented side slot face mask showing my new design;

FIG. 2 is a top view thereof;

FIG. 3 is a left side view thereof;

FIG. 4 is a front view thereof; and,

FIG. 5 is a right side view thereof;

FIG. 6 is a back view thereof;

FIG. 7 is a bottom view thereof;

FIG. 8 is a right side view thereof with the moveable side slot in a first position;

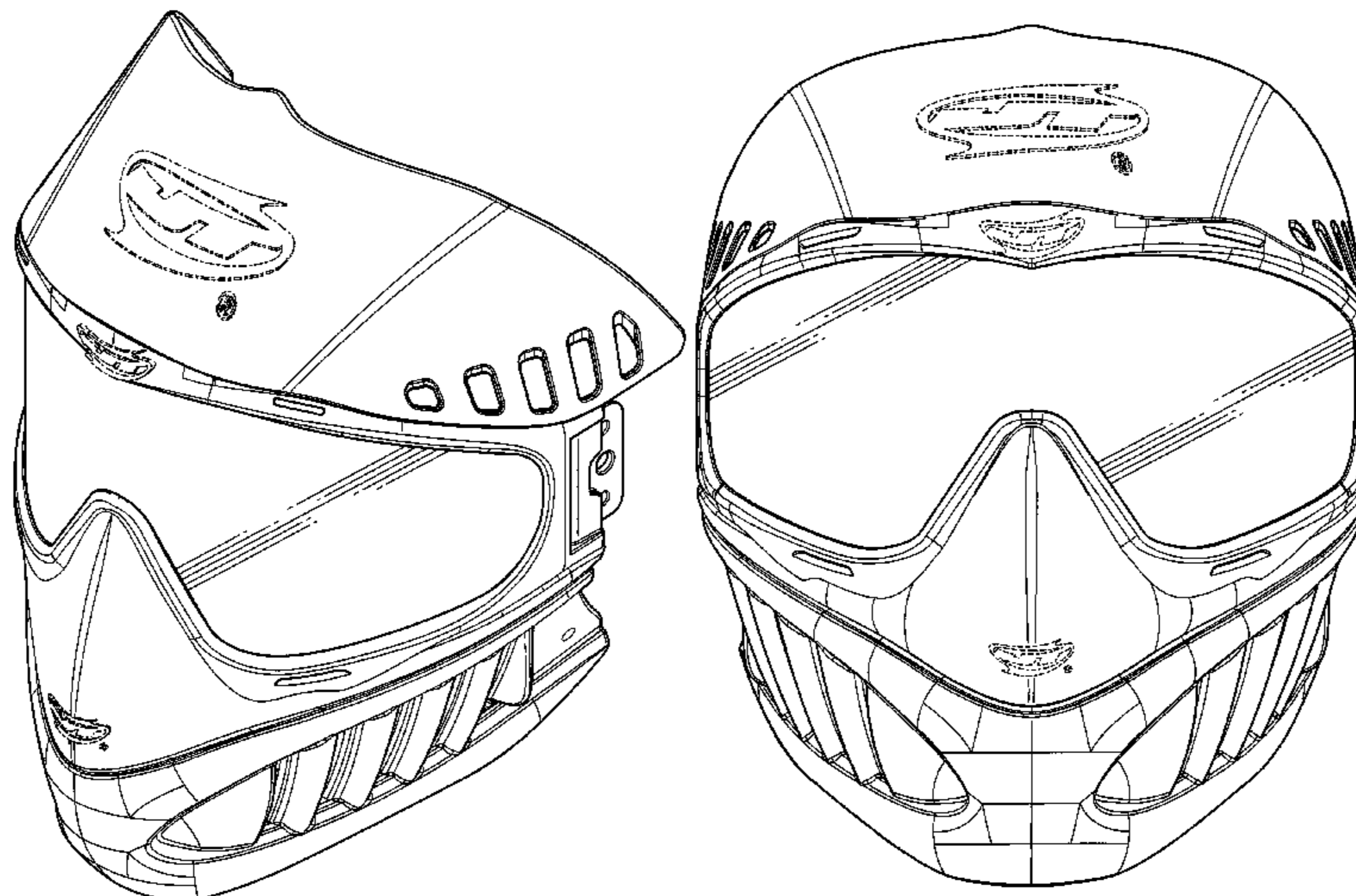
FIG. 9 is a right side view thereof with the moveable side slot in a second position;

FIG. 10 is a right side view thereof with the moveable side slot in a third position;

FIG. 11 is a right side view thereof with the moveable side slot in a fourth position; and,

FIG. 12 is a right side view thereof with the moveable side partition removed.

1 Claim, 12 Drawing Sheets



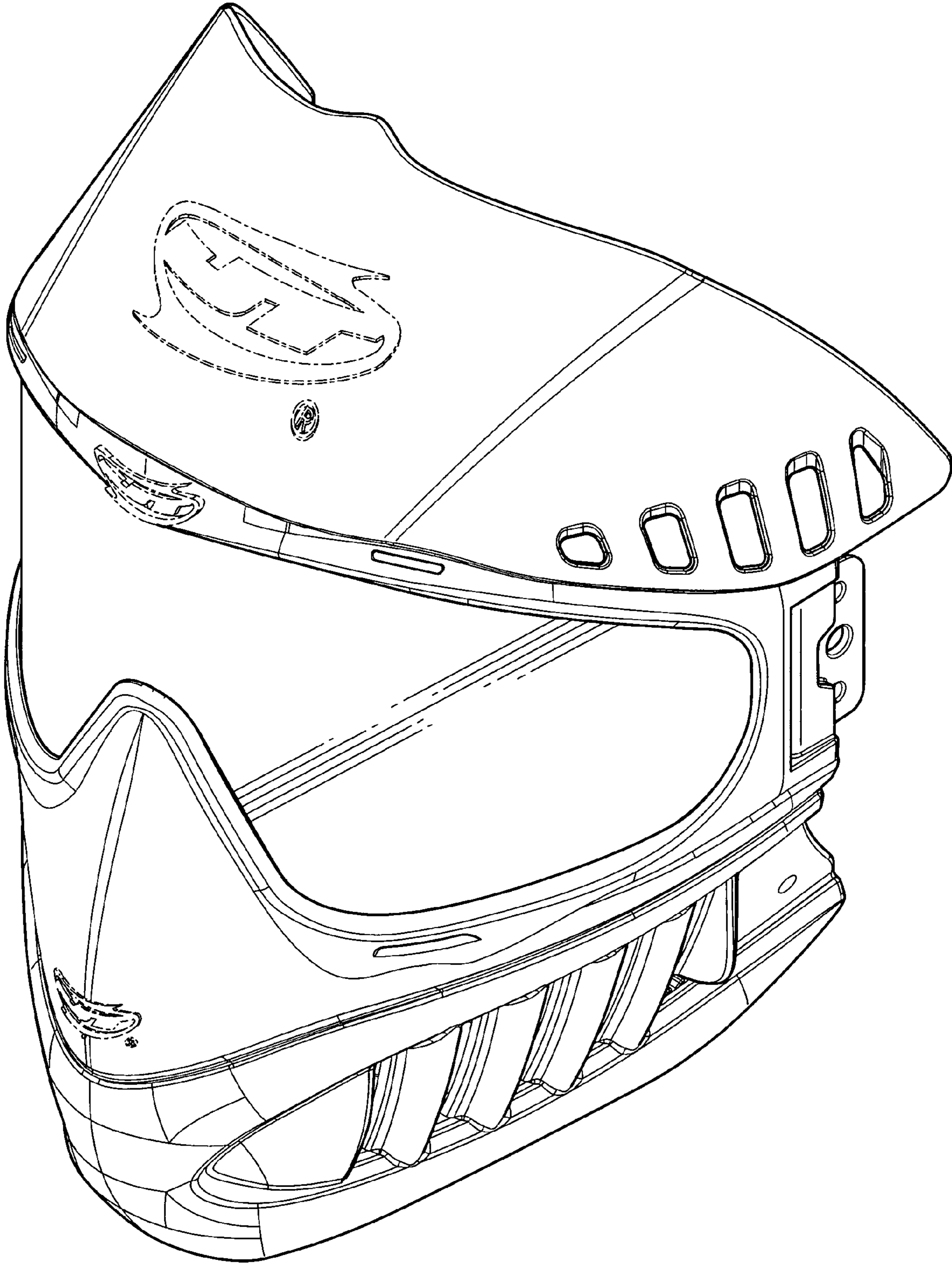


FIG. 1

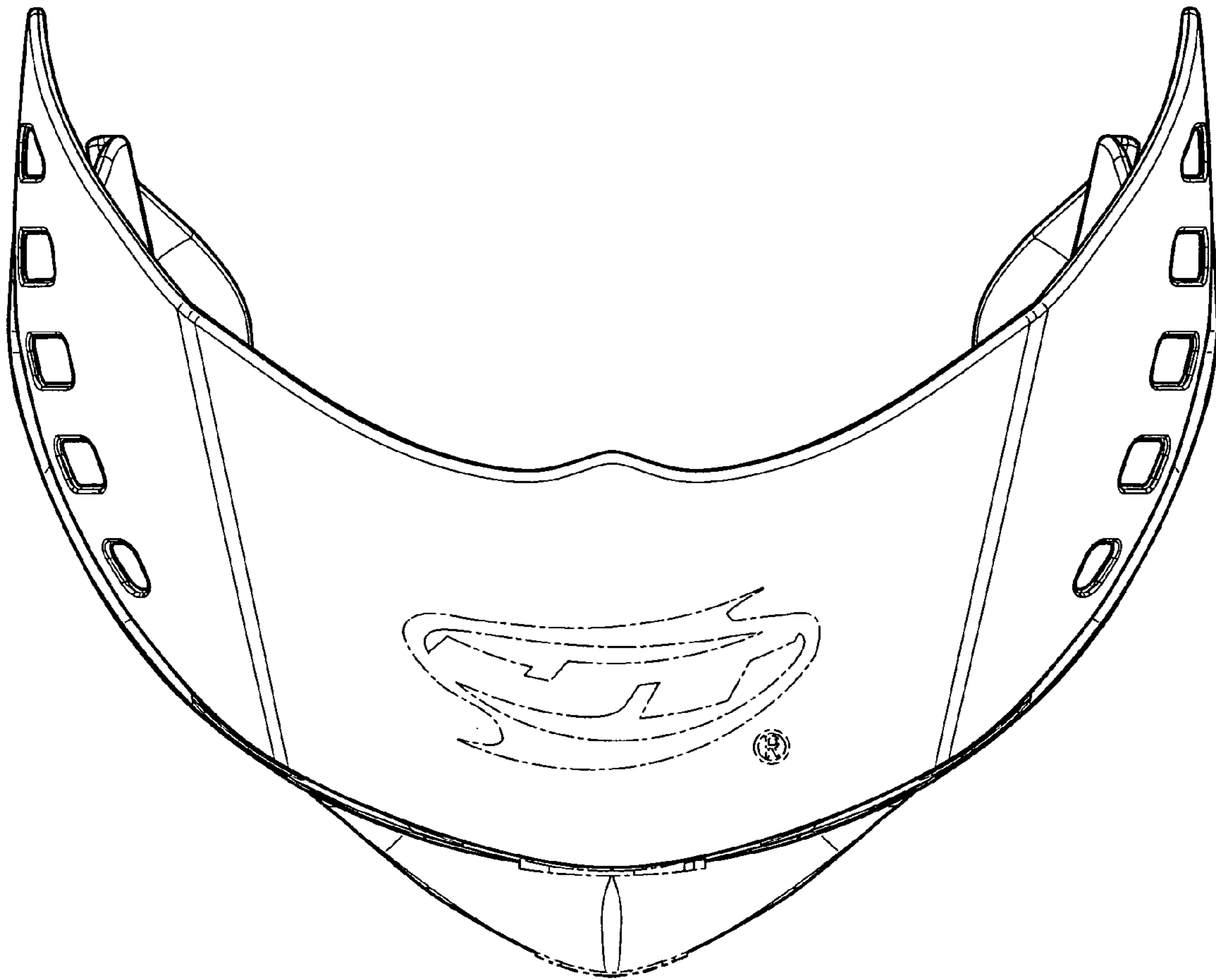


FIG. 2

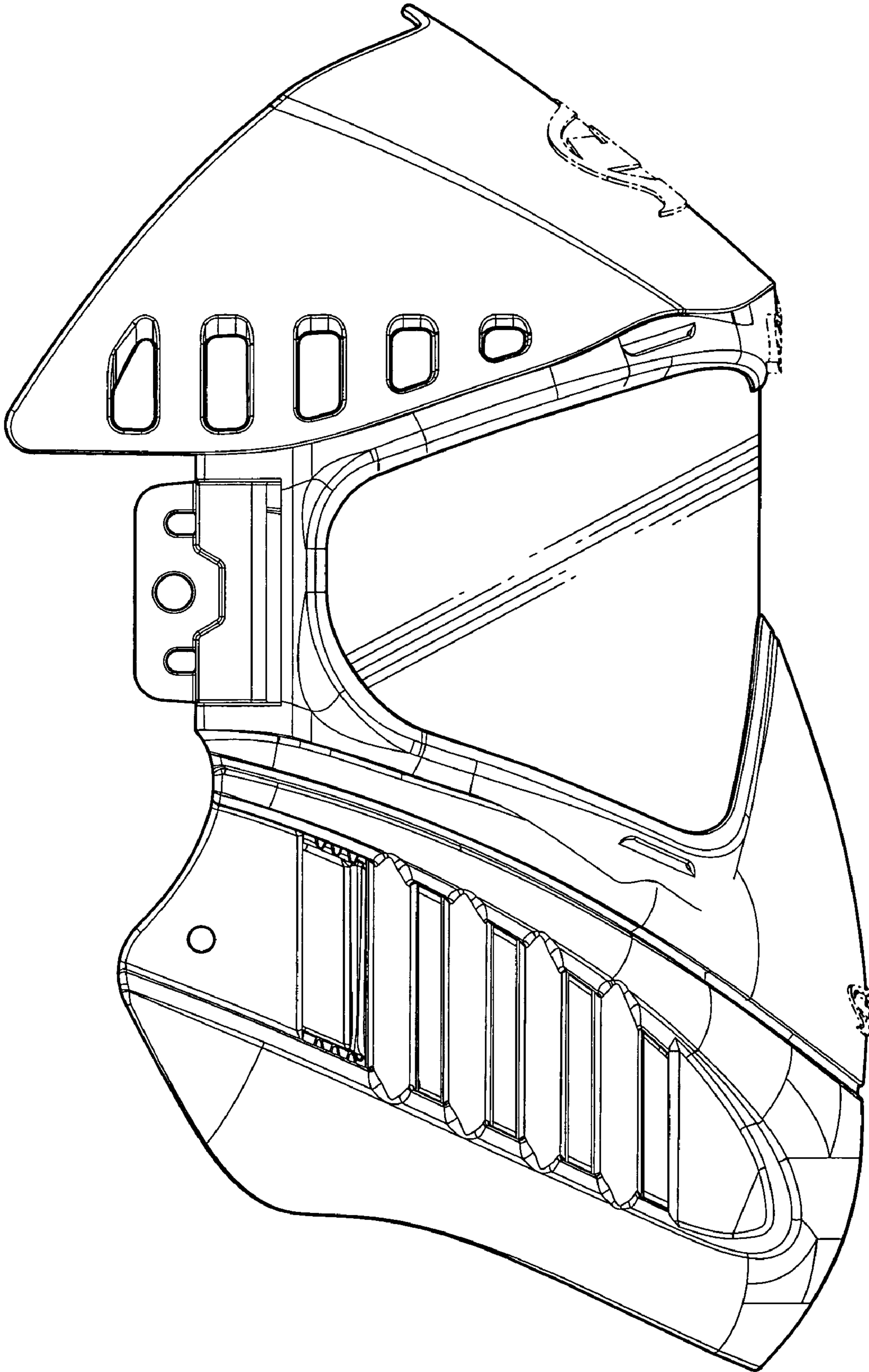


FIG. 3

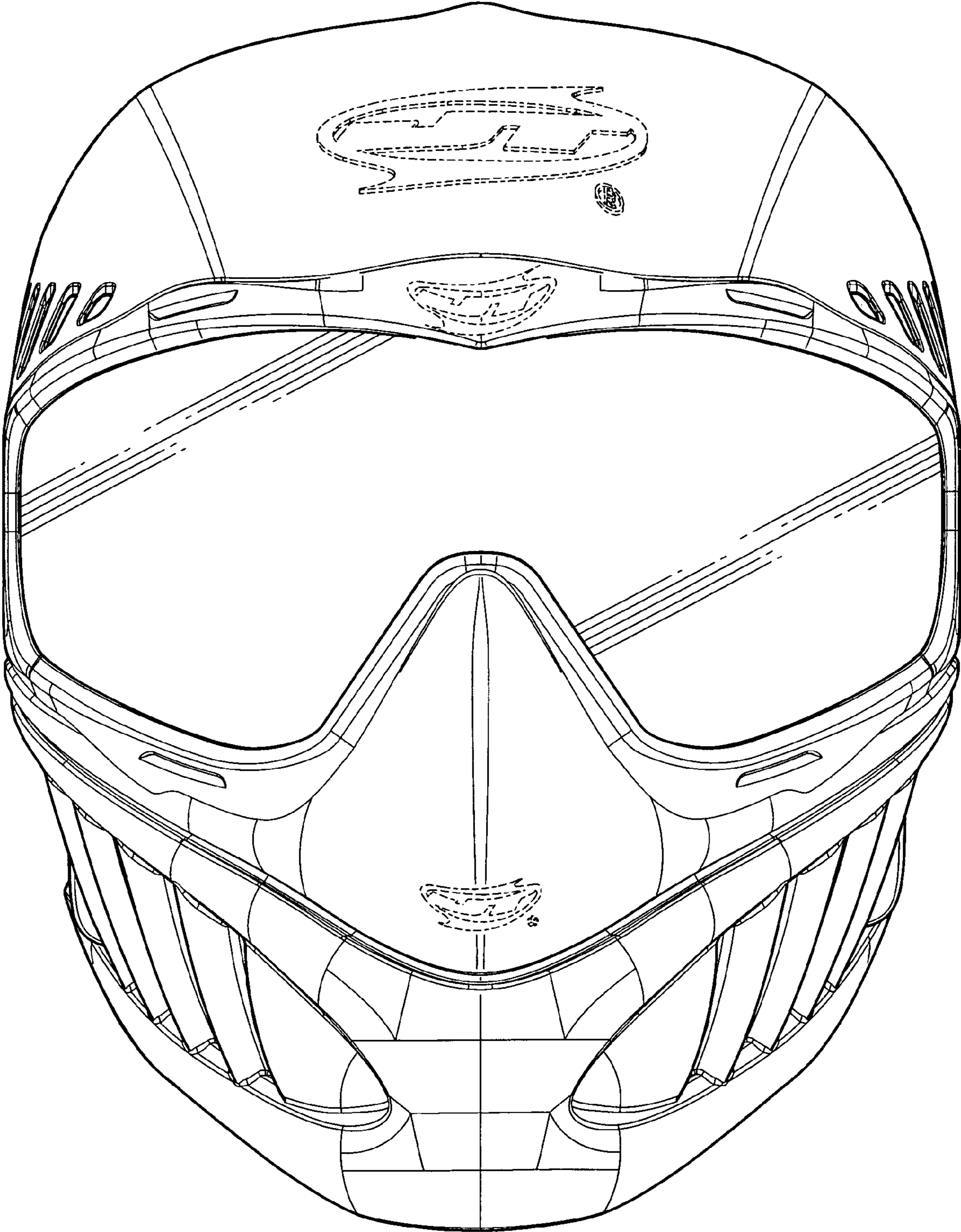


FIG. 4

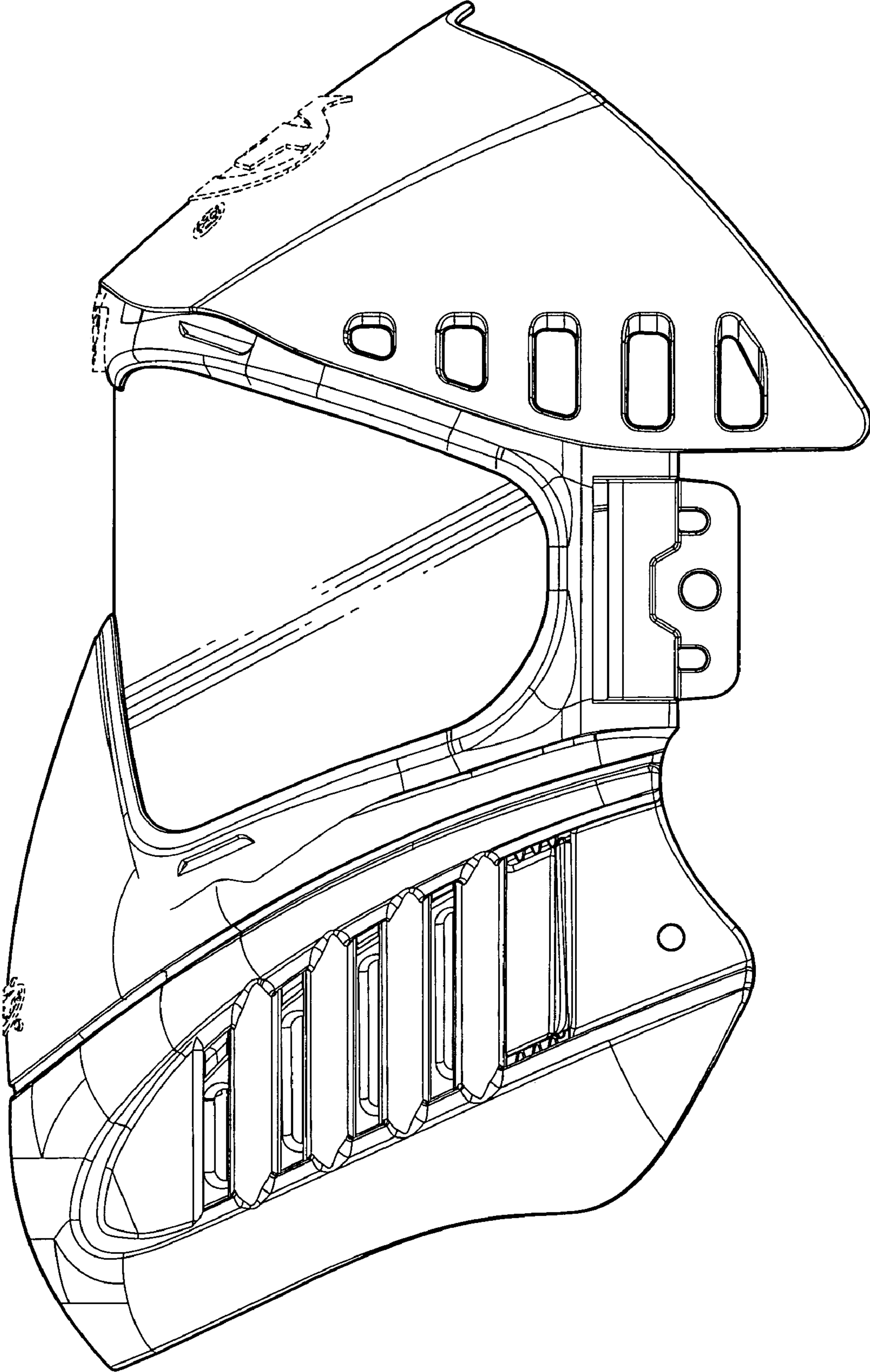


FIG. 5

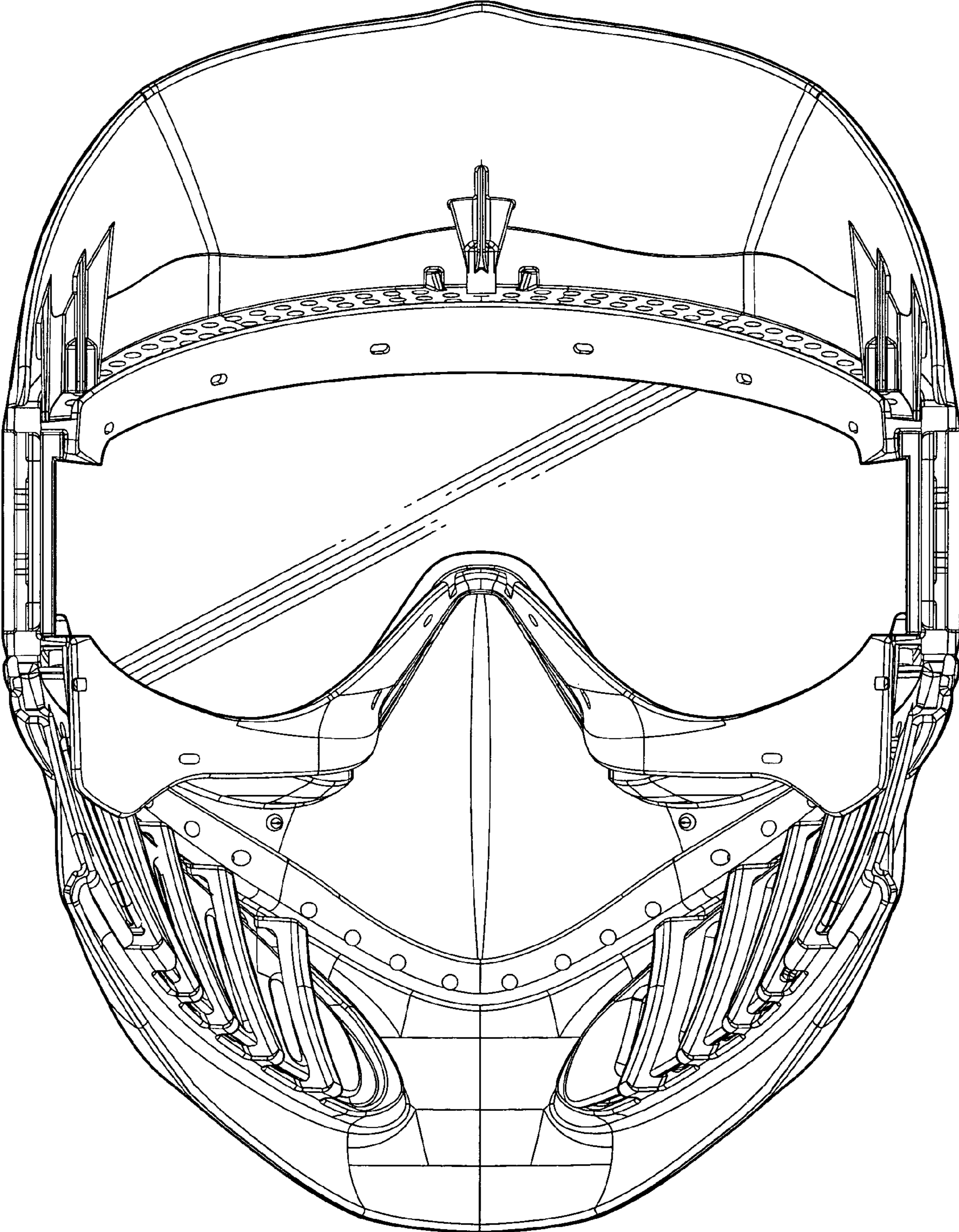


FIG. 6

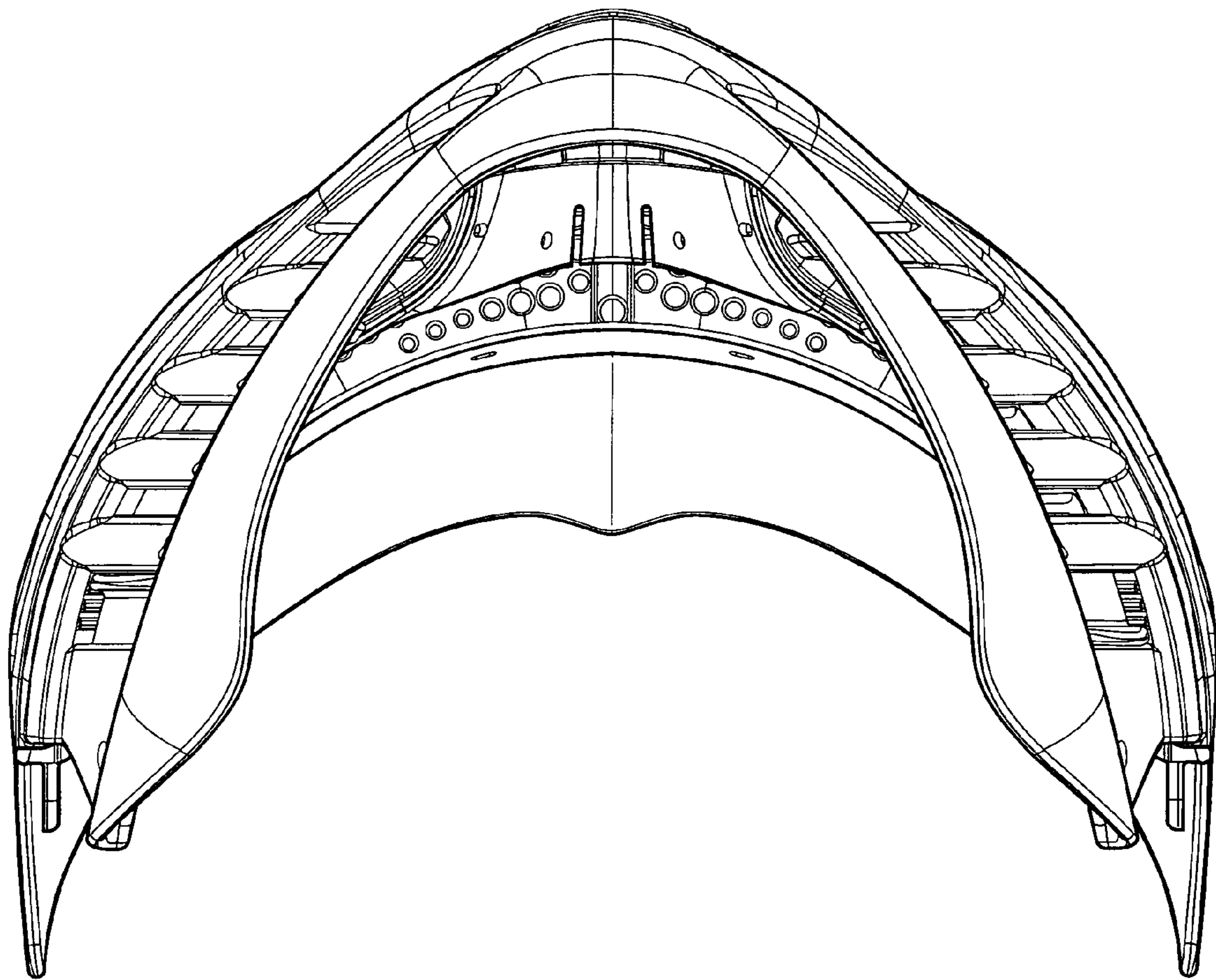


FIG. 7

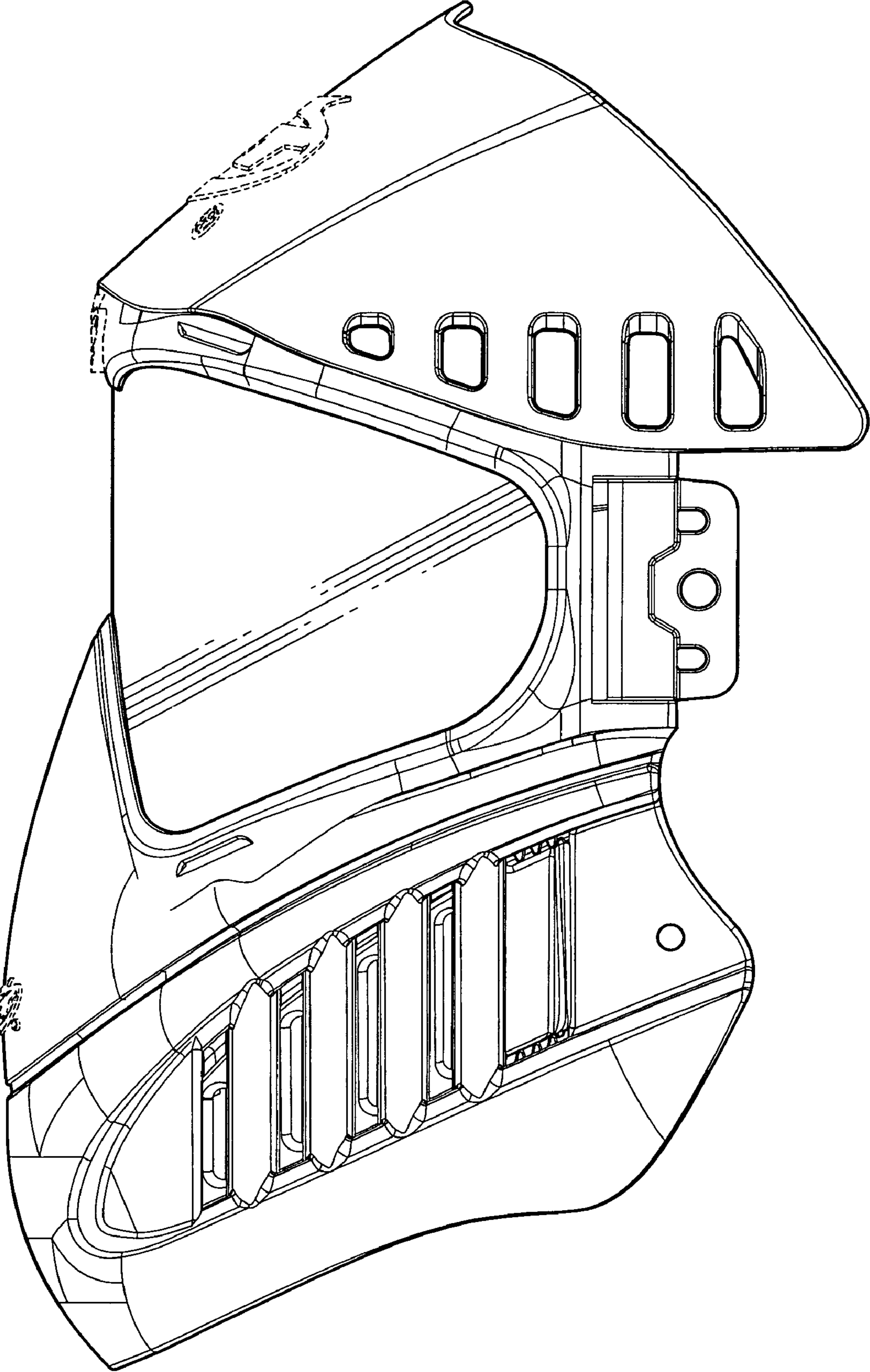


FIG. 8

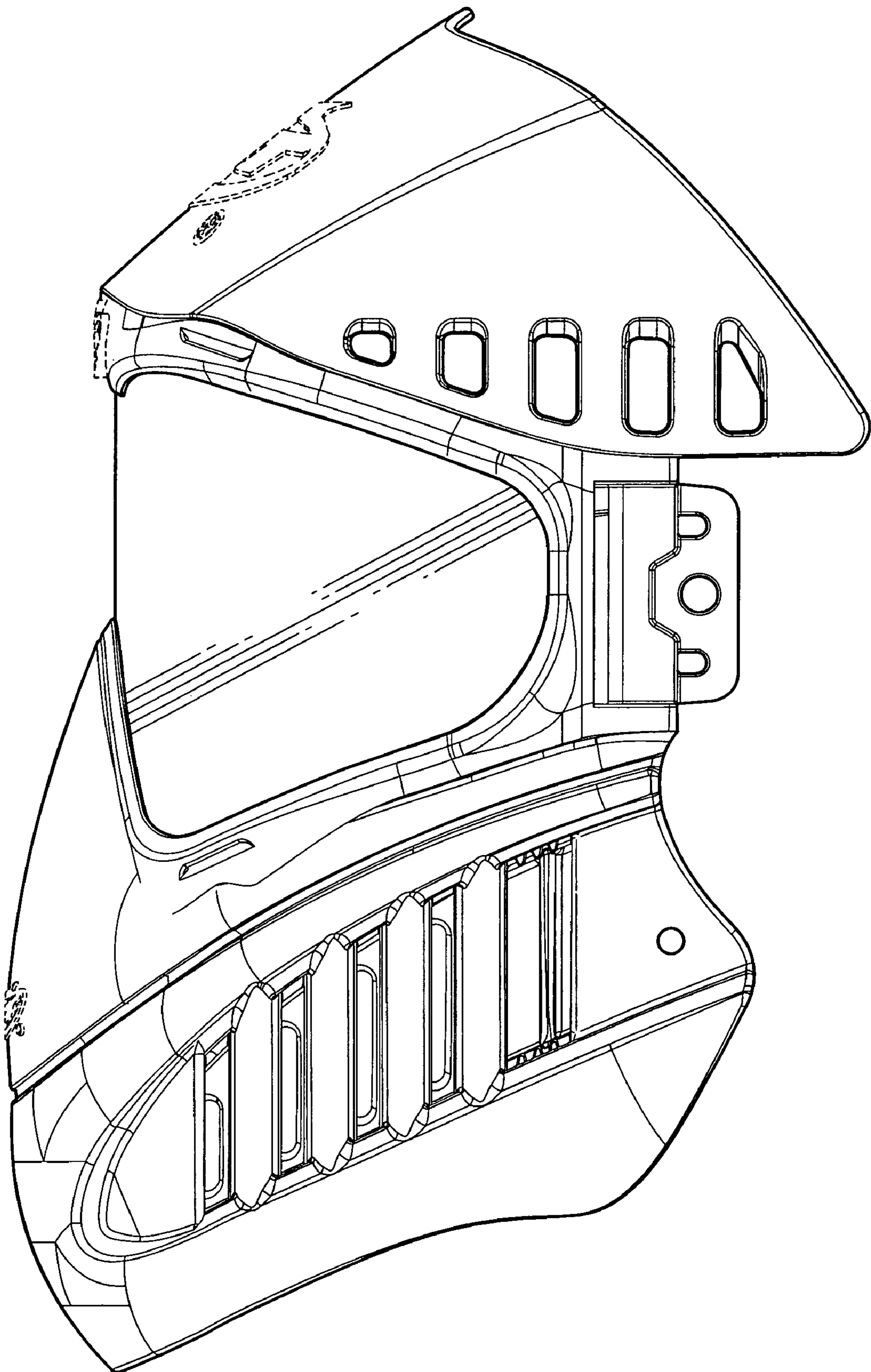


FIG. 9

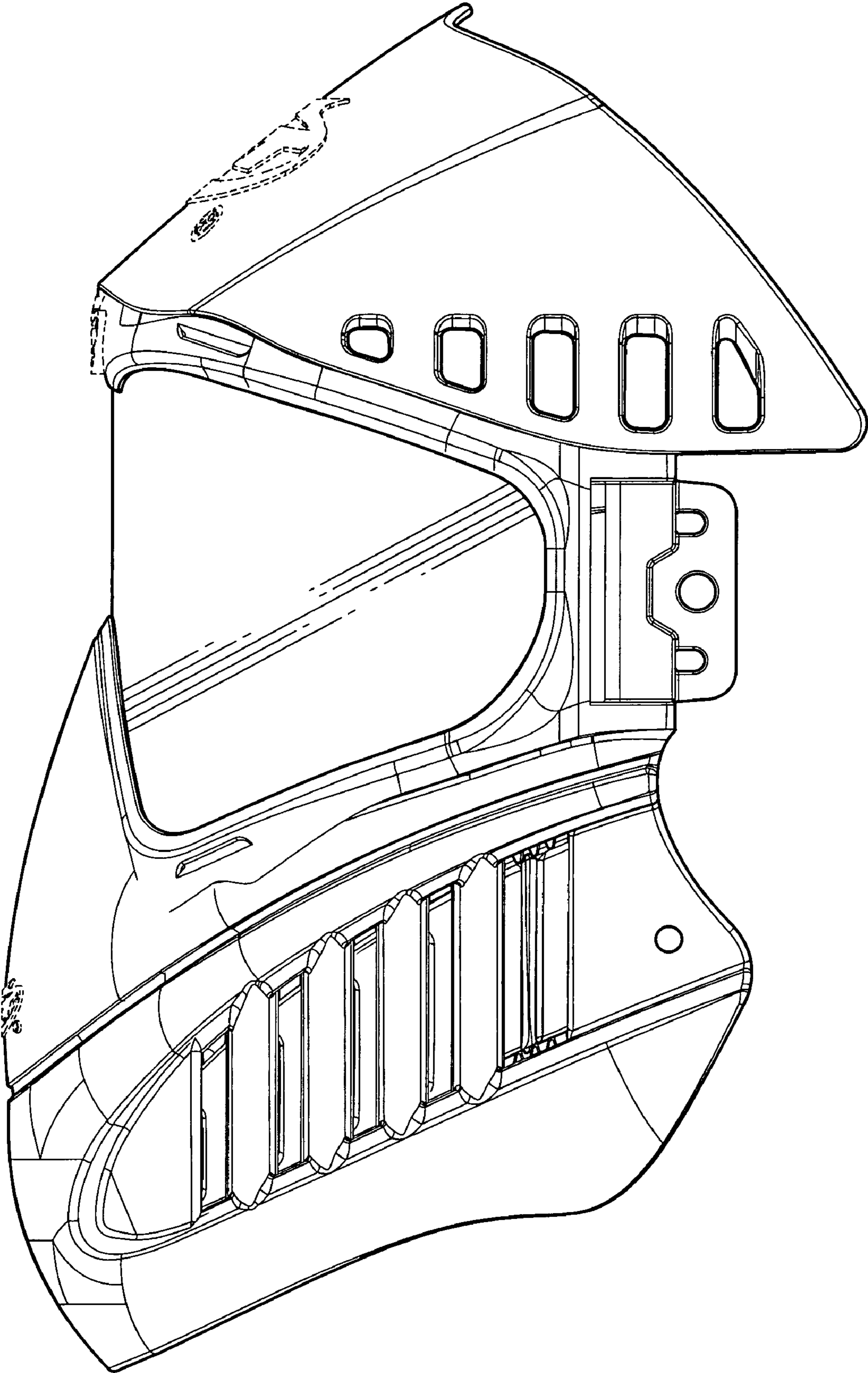


FIG. 10

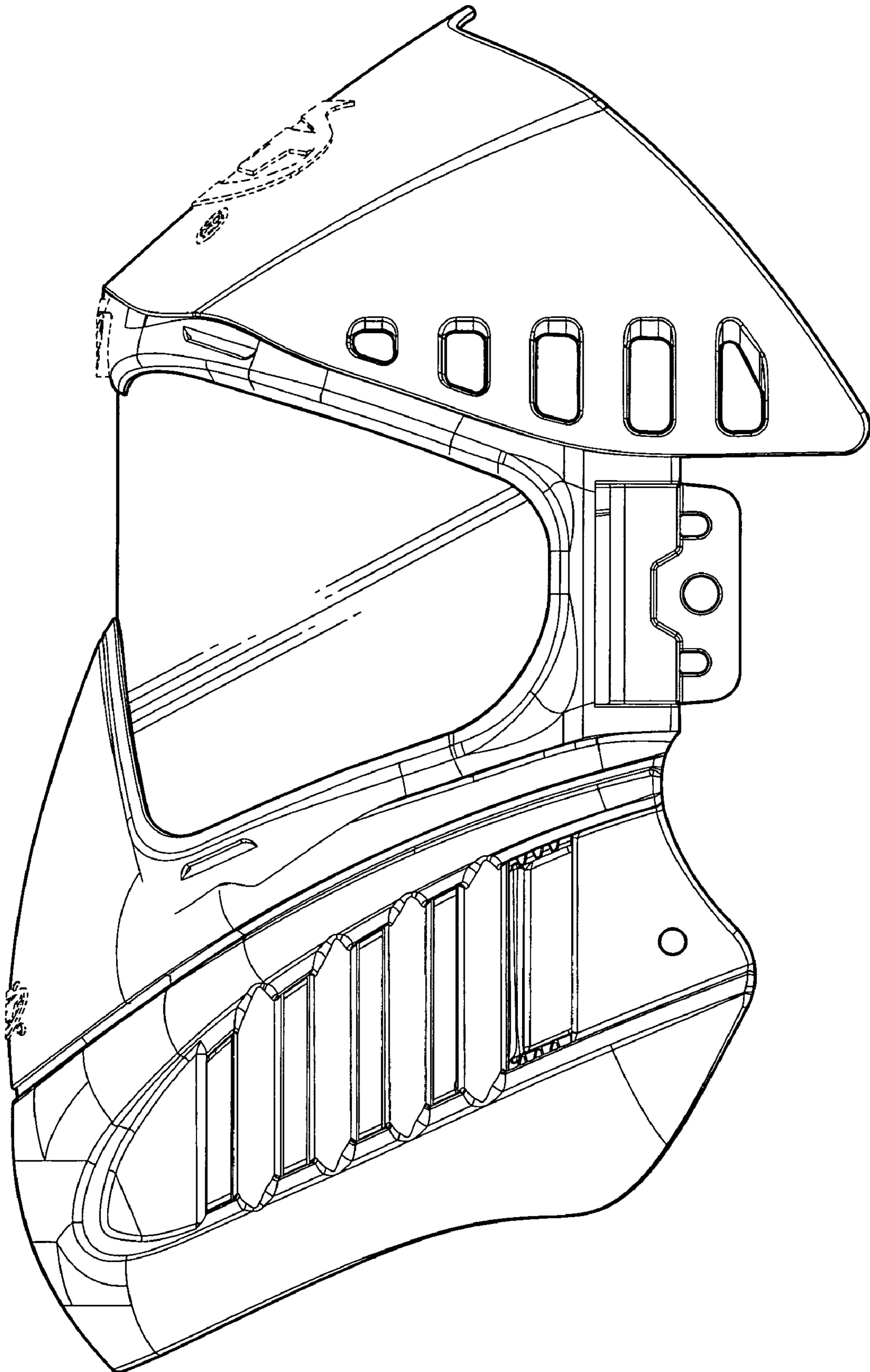


FIG. 11

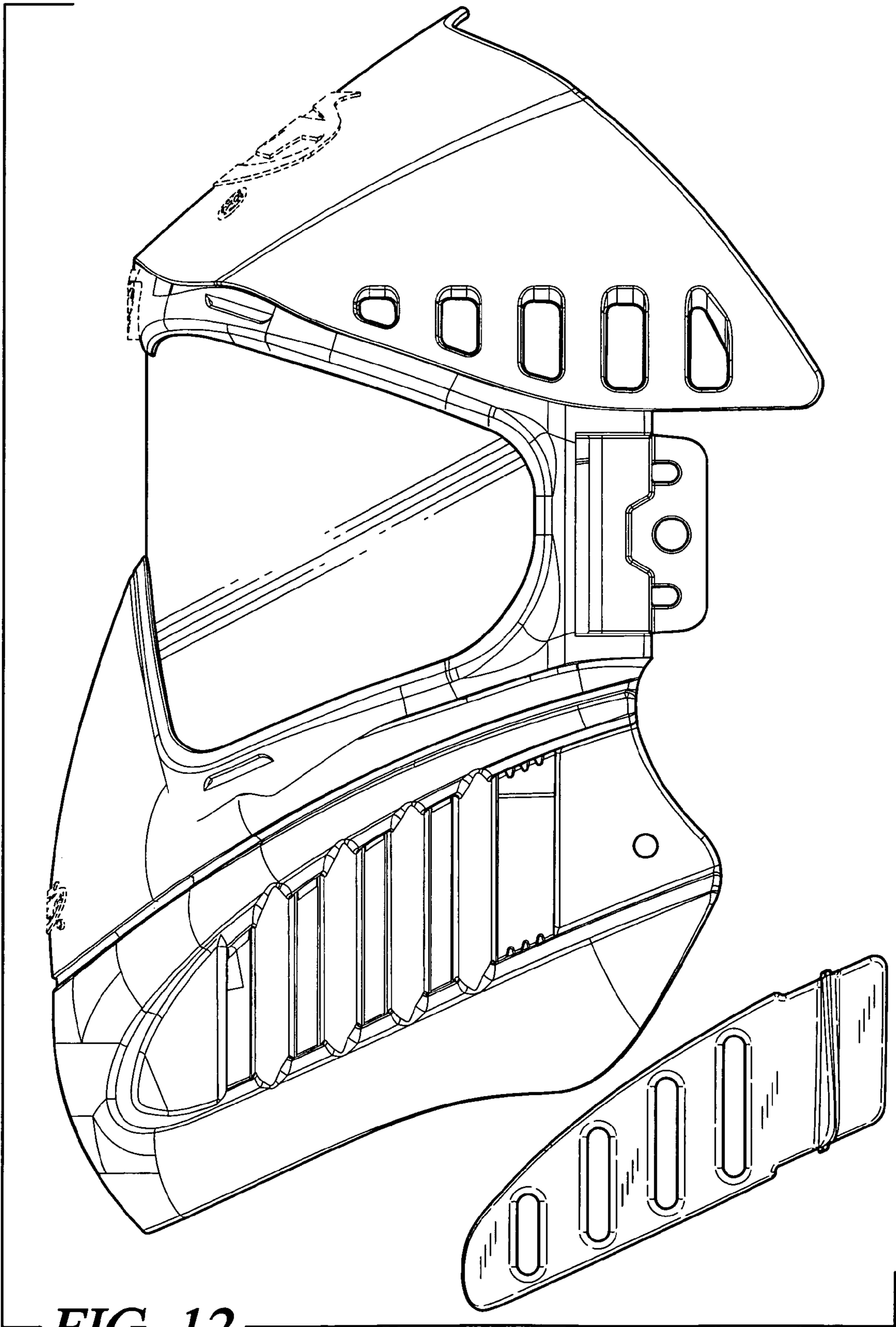


FIG. 12