



US00D630378S

(12) **United States Design Patent**
Jung

(10) **Patent No.:** **US D630,378 S**

(45) **Date of Patent:** **** Jan. 4, 2011**

(54) **RAZOR CARTRIDGE**

(75) Inventor: **Hyo Kyun Jung**, Siheung-si (KR)

(73) Assignee: **Dorco Co., Ltd.**, Seoul (KR)

(**) Term: **14 Years**

(21) Appl. No.: **29/361,118**

(22) Filed: **May 5, 2010**

(30) **Foreign Application Priority Data**

Jan. 31, 2010 (KR) 30-2010-0004194

(51) **LOC (9) Cl.** **28-03**

(52) **U.S. Cl.** **D28/47**

(58) **Field of Classification Search** D28/44-54;
30/32, 32.05, 34.1-34.2, 41, 44-46, 47-51,
30/57-58, 77-84, 526-539

See application file for complete search history.

(56) **References Cited**

U.S. PATENT DOCUMENTS

D313,672 S * 1/1991 Tiegls D28/46

D542,972 S * 5/2007 Pryor et al. D28/47

D559,454 S * 1/2008 Padain et al. D28/47
D563,044 S * 2/2008 Ramm D28/47

* cited by examiner

Primary Examiner—Jennifer Rivard

(74) *Attorney, Agent, or Firm*—Fenwick & West LLP

(57) **CLAIM**

The ornamental design for a razor cartridge, as shown and described.

DESCRIPTION

FIG. 1 is a perspective view of the razor showing the new design;

FIG. 2 is a front view thereof;

FIG. 3 is a rear view thereof;

FIG. 4 is a left side view thereof;

FIG. 5 is a right side view thereof;

FIG. 6 is a top plan view thereof;

FIG. 7 is a bottom plan view thereof; and,

FIG. 8 is another perspective view thereof.

1 Claim, 3 Drawing Sheets

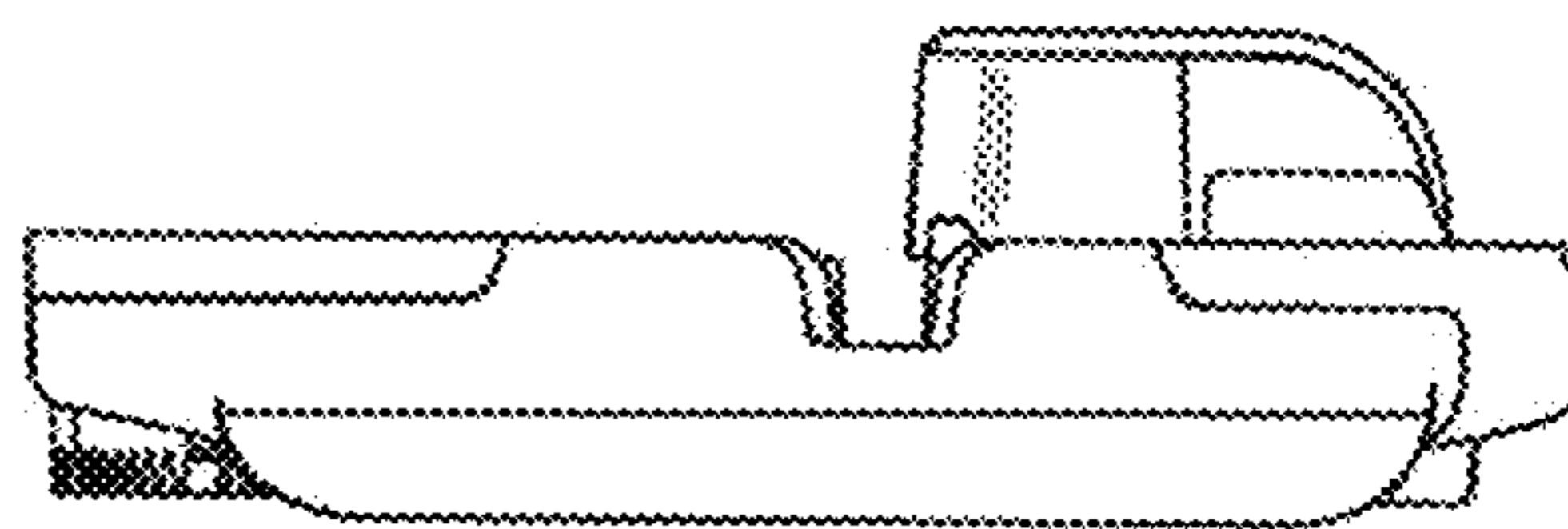
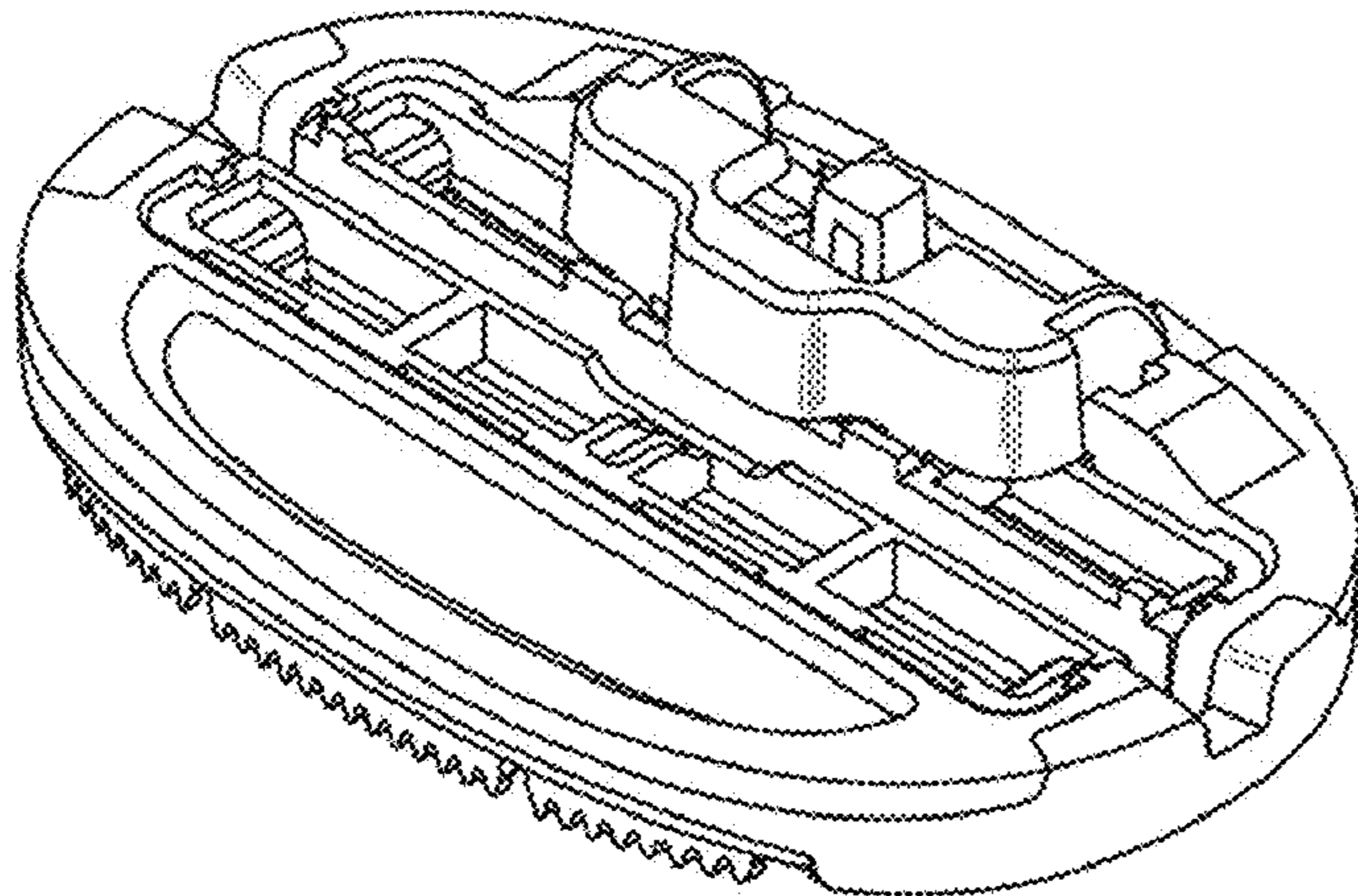


Fig. 1

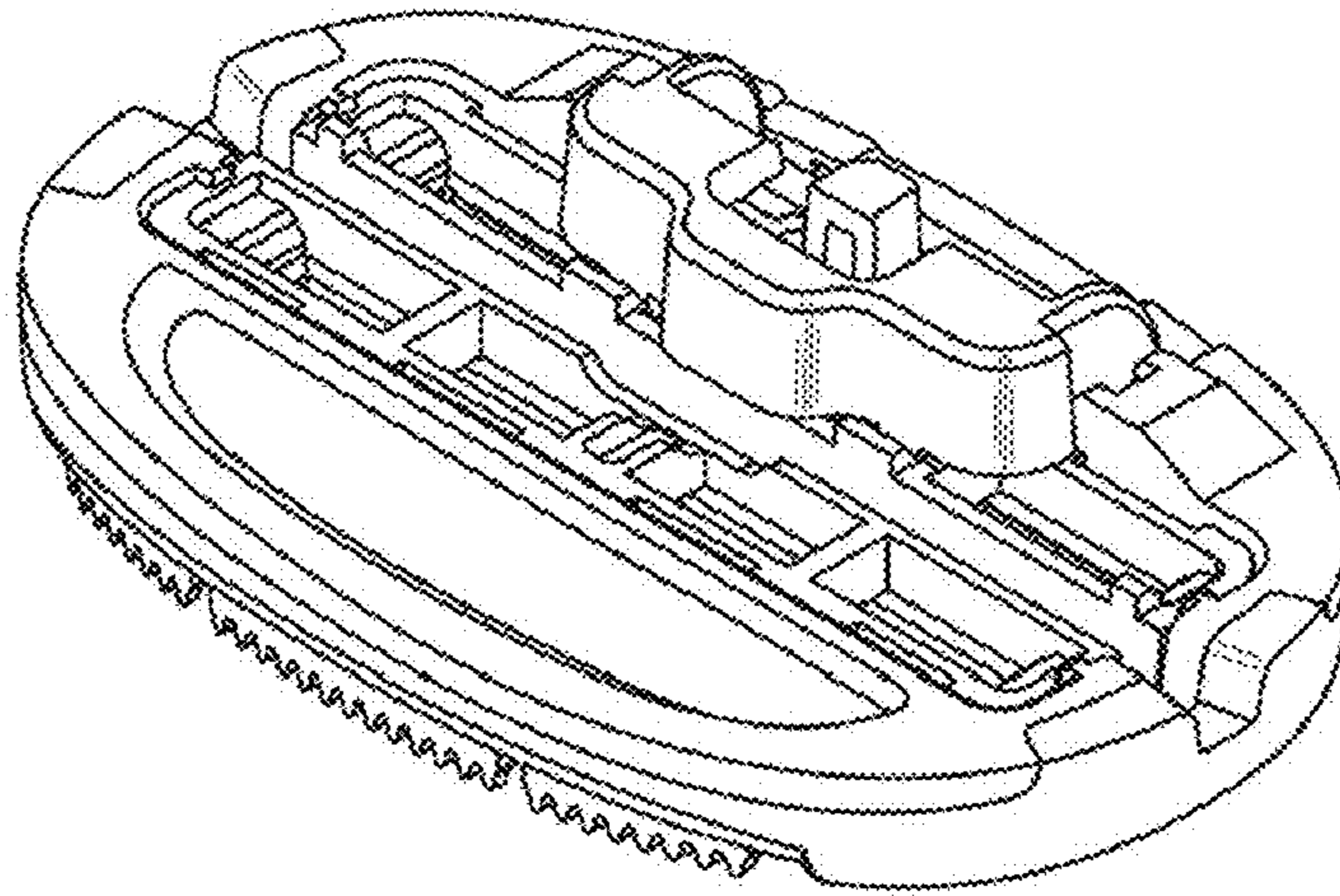


Fig. 2

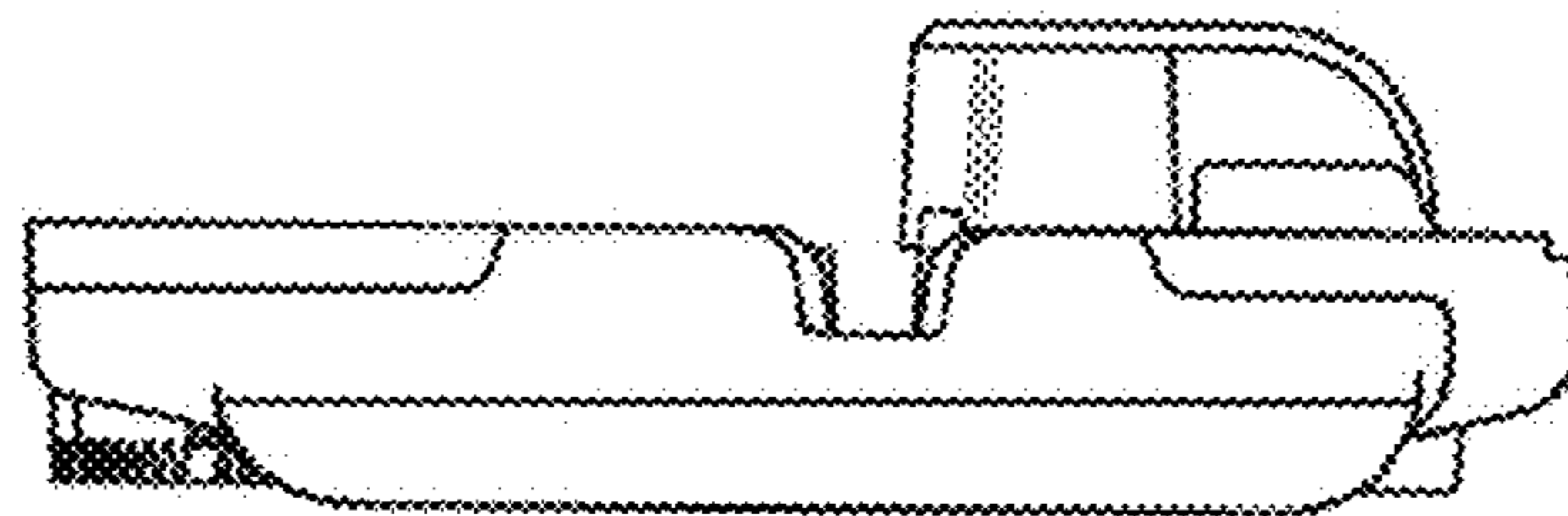


Fig. 3

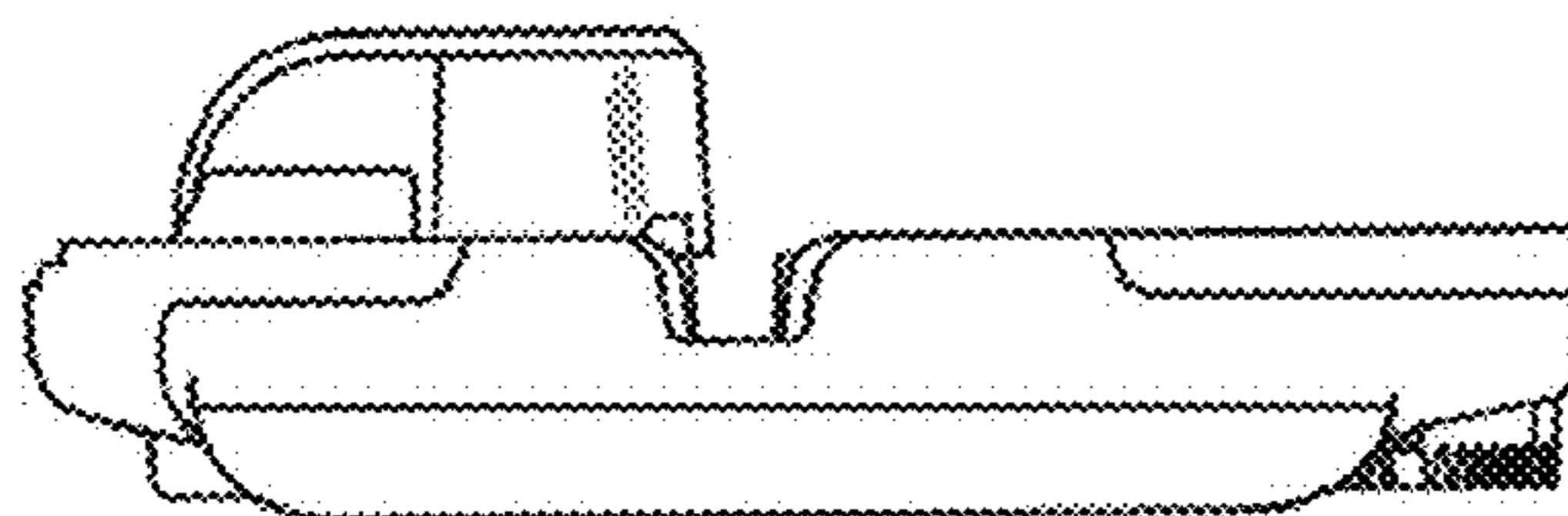


Fig.4

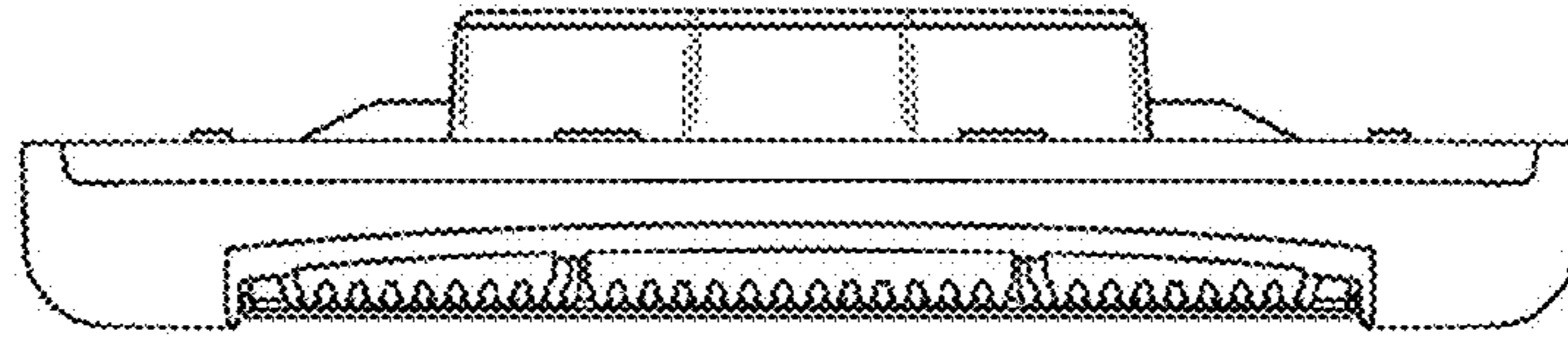


Fig.5

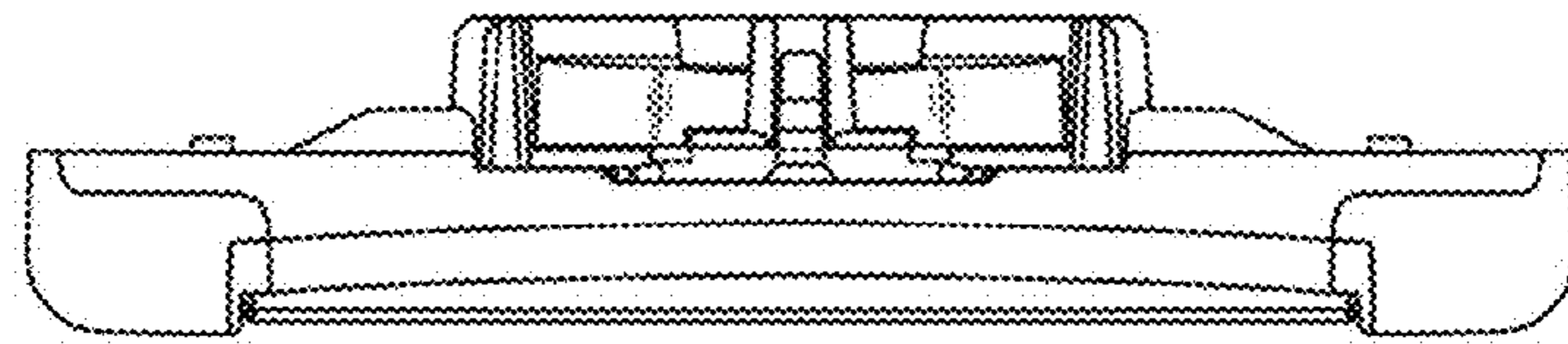


Fig.6

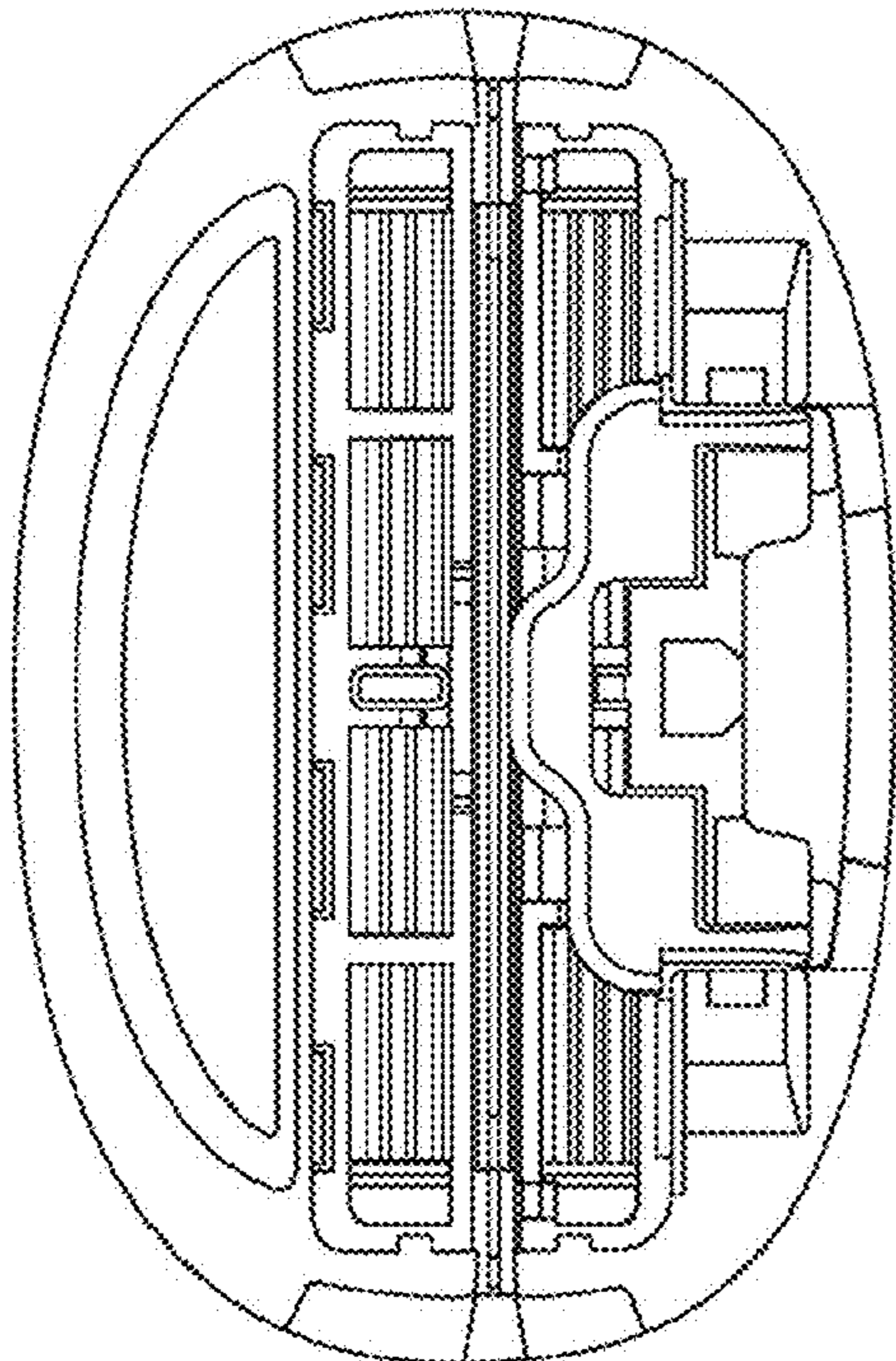
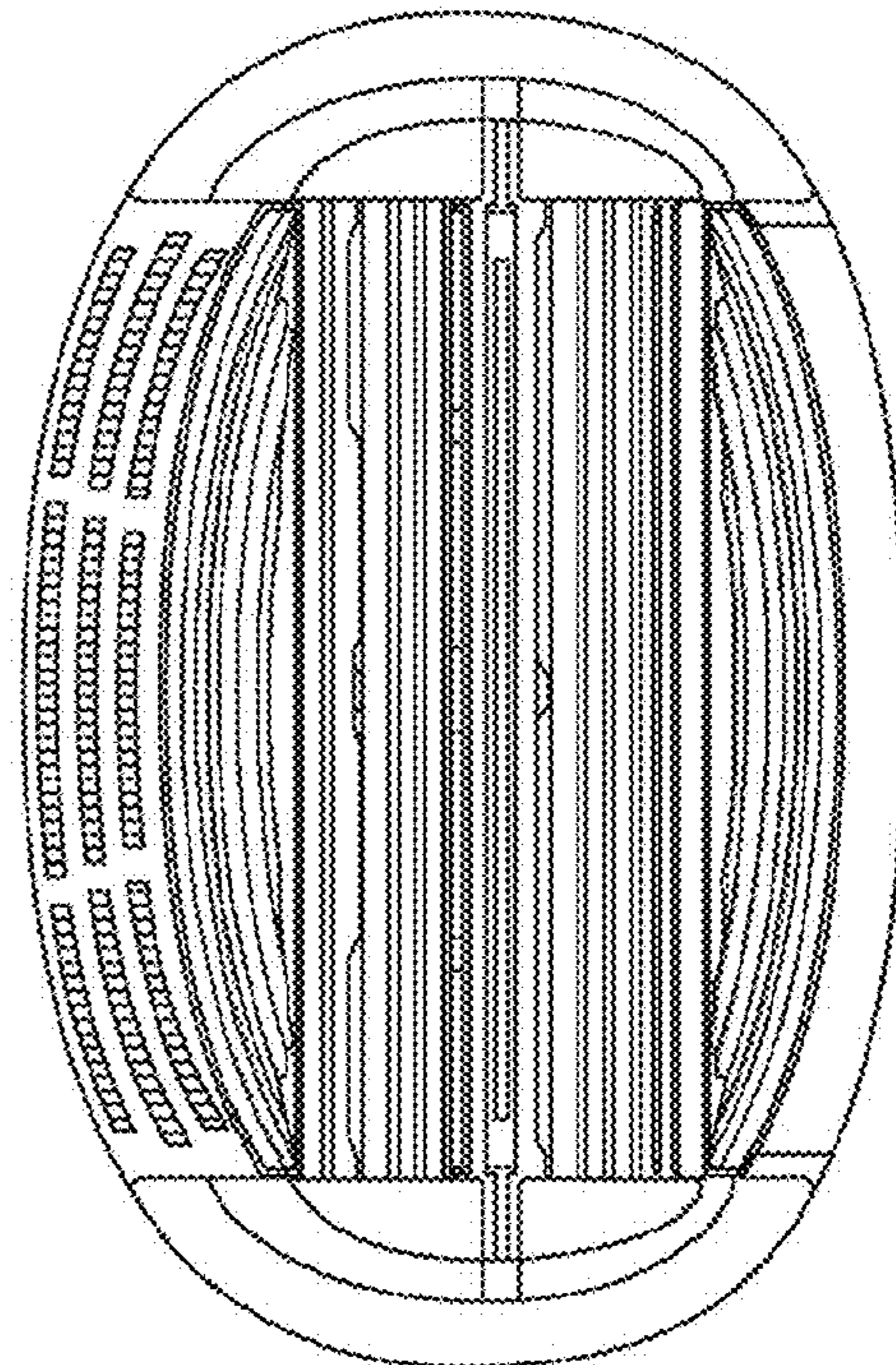


Fig.7



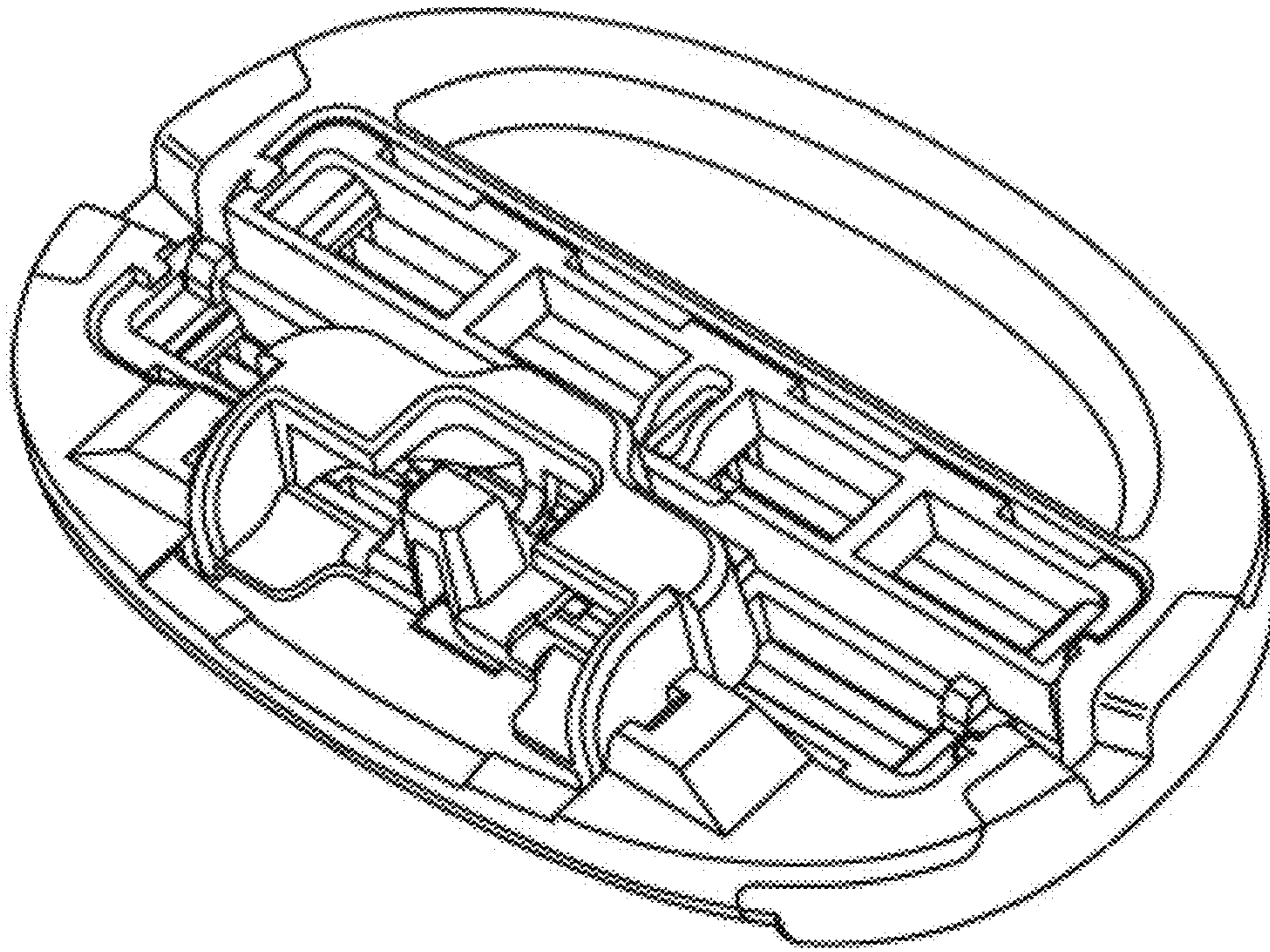


FIG. 8