



US00D630375S

(12) **United States Design Patent**
Martin

(10) **Patent No.:** **US D630,375 S**
(45) **Date of Patent:** **** Jan. 4, 2011**

(54) **LAMP**

(75) Inventor: **David Martin**, Brandon, VT (US)

(73) Assignee: **Hubbardton Forge, LLC**, Castleton, VT (US)

(**) Term: **14 Years**

(21) Appl. No.: **29/365,021**

(22) Filed: **Jul. 1, 2010**

(51) **LOC (9) Cl.** **26-99**

(52) **U.S. Cl.** **D26/138**

(58) **Field of Classification Search** D26/2,
D26/118, 120, 129, 138, 63, 65, 128, 154,
D26/119, 28, 155, 142, 121, 122, 152, 123,
D26/124, 153, 130, 141, 92, 87, 93, 85, 145;
D11/89, 90, 91, 92; 273/153 S, 160; 362/223,
362/544, 240, 545; D9/529; D21/478, 479;
D34/1; D7/509, 586; D13/134, 179, 180
See application file for complete search history.

(56) **References Cited**

U.S. PATENT DOCUMENTS

D96,912 S *	9/1935	Gregg	D26/92
D177,716 S *	5/1956	Clemens	D26/87
D341,440 S *	11/1993	Hsu	D26/87
D386,806 S *	11/1997	Littman et al.	D26/87
D388,224 S *	12/1997	Barry	D26/153
D394,125 S *	5/1998	Barry	D26/87
D400,285 S *	10/1998	Littman et al.	D26/87

D441,125 S *	4/2001	Crosby	D26/87
D442,728 S *	5/2001	Littman	D26/87
D465,597 S *	11/2002	Hsu	D26/87
D556,360 S *	11/2007	Yando	D26/87
D556,368 S *	11/2007	Kohler et al.	D26/142
D570,524 S *	6/2008	Chandler	D26/87
D605,331 S *	12/2009	Miranda	D26/87

* cited by examiner

Primary Examiner—Cathron C Brooks

Assistant Examiner—Kevin K Rudzinski

(74) *Attorney, Agent, or Firm*—Bourque and Associates, PA

(57) **CLAIM**

The ornamental design for a lamp, as shown and described.

DESCRIPTION

FIG. 1 is a perspective view of the lamp according to the present invention;

FIG. 2 is a front view of the lamp thereof;

FIG. 3 is a back view of the lamp thereof;

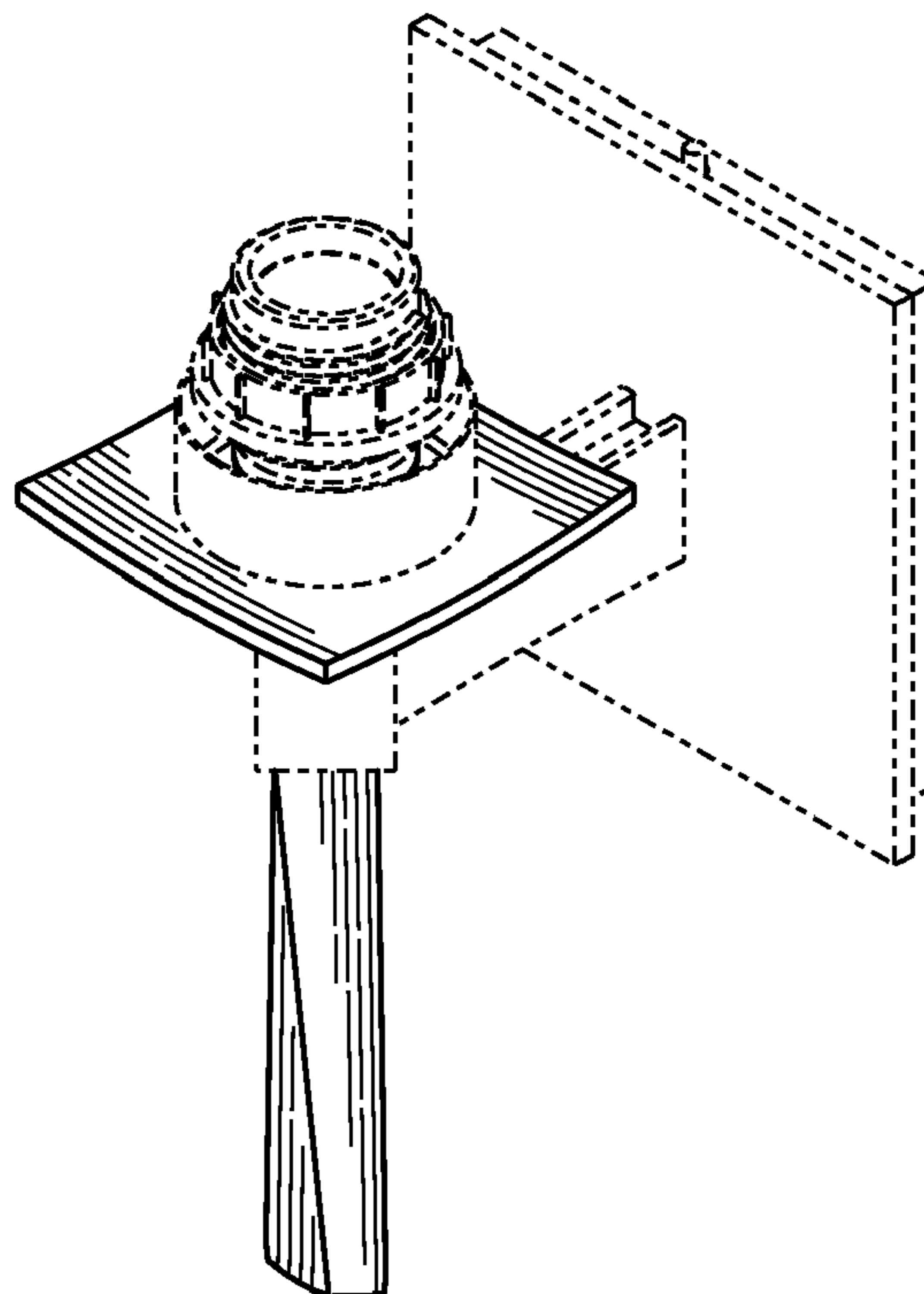
FIG. 4 is a left view of the lamp thereof; the right side being a mirror image;

FIG. 5 is a top view of the lamp thereof; and,

FIG. 6 is a bottom view of the lamp thereof.

The broken lines shown are included for the purpose of illustrating environmental structure and form no part of the claimed design.

1 Claim, 6 Drawing Sheets



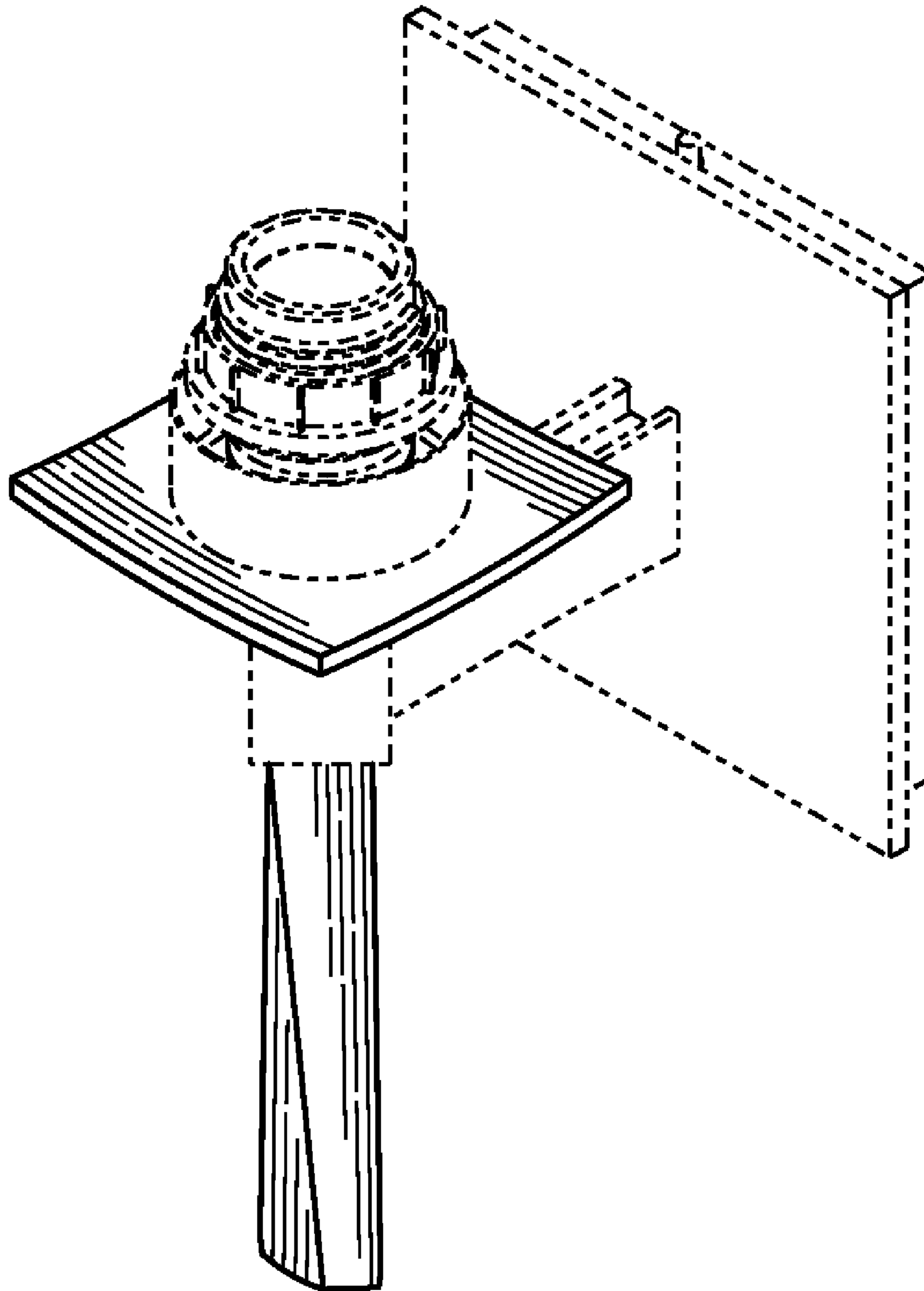


FIG. 1

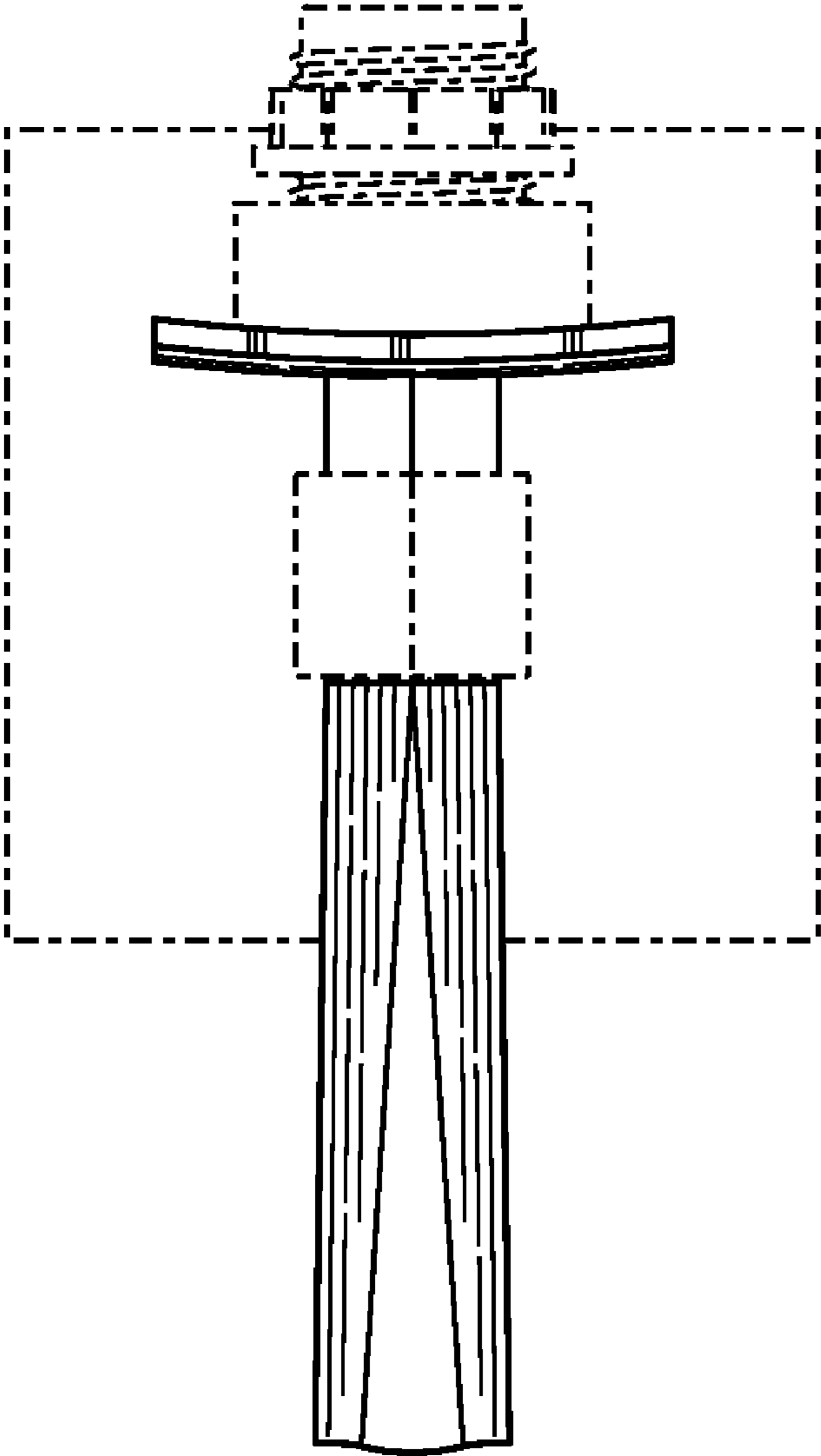


FIG. 2

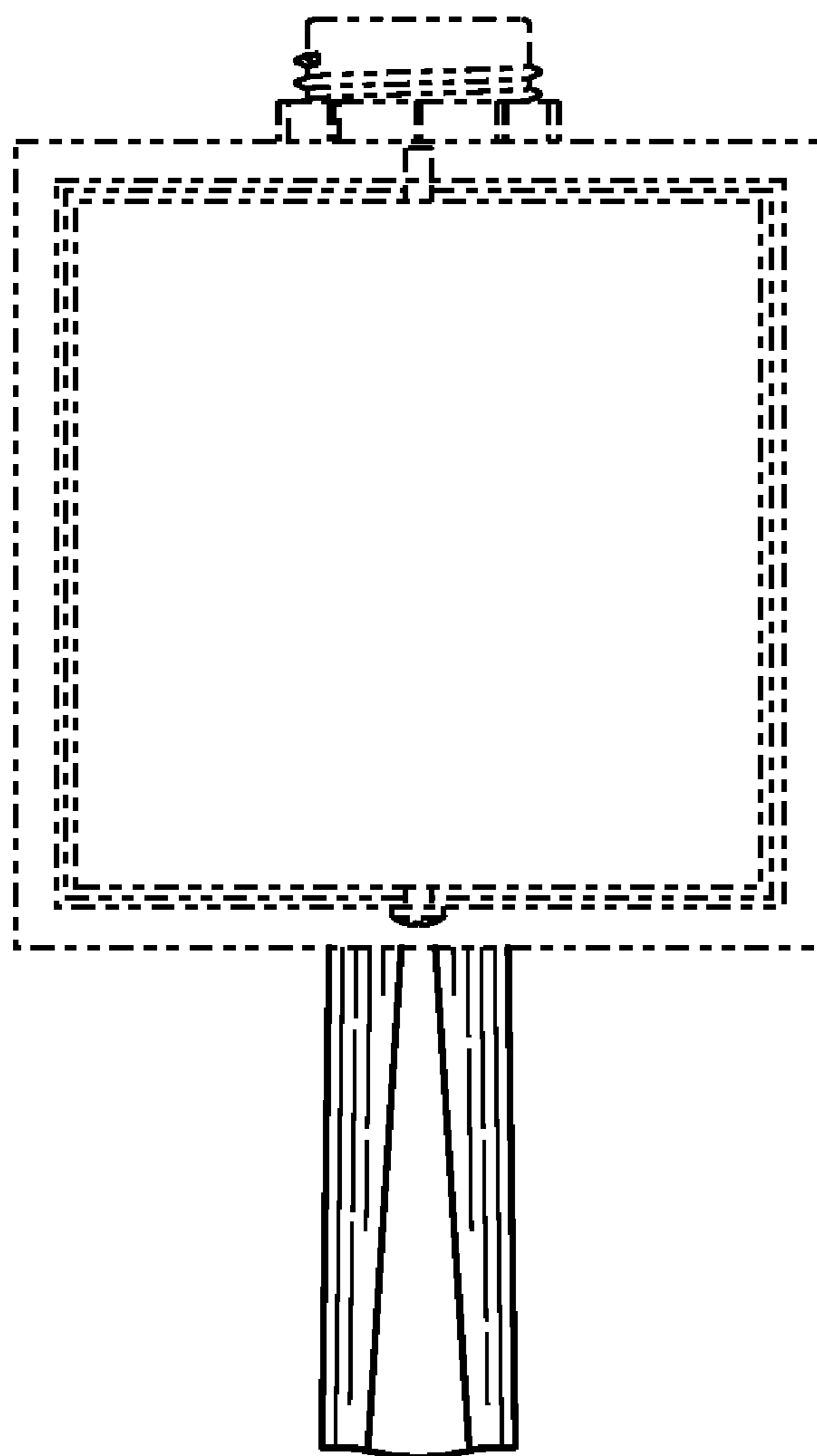


FIG. 3

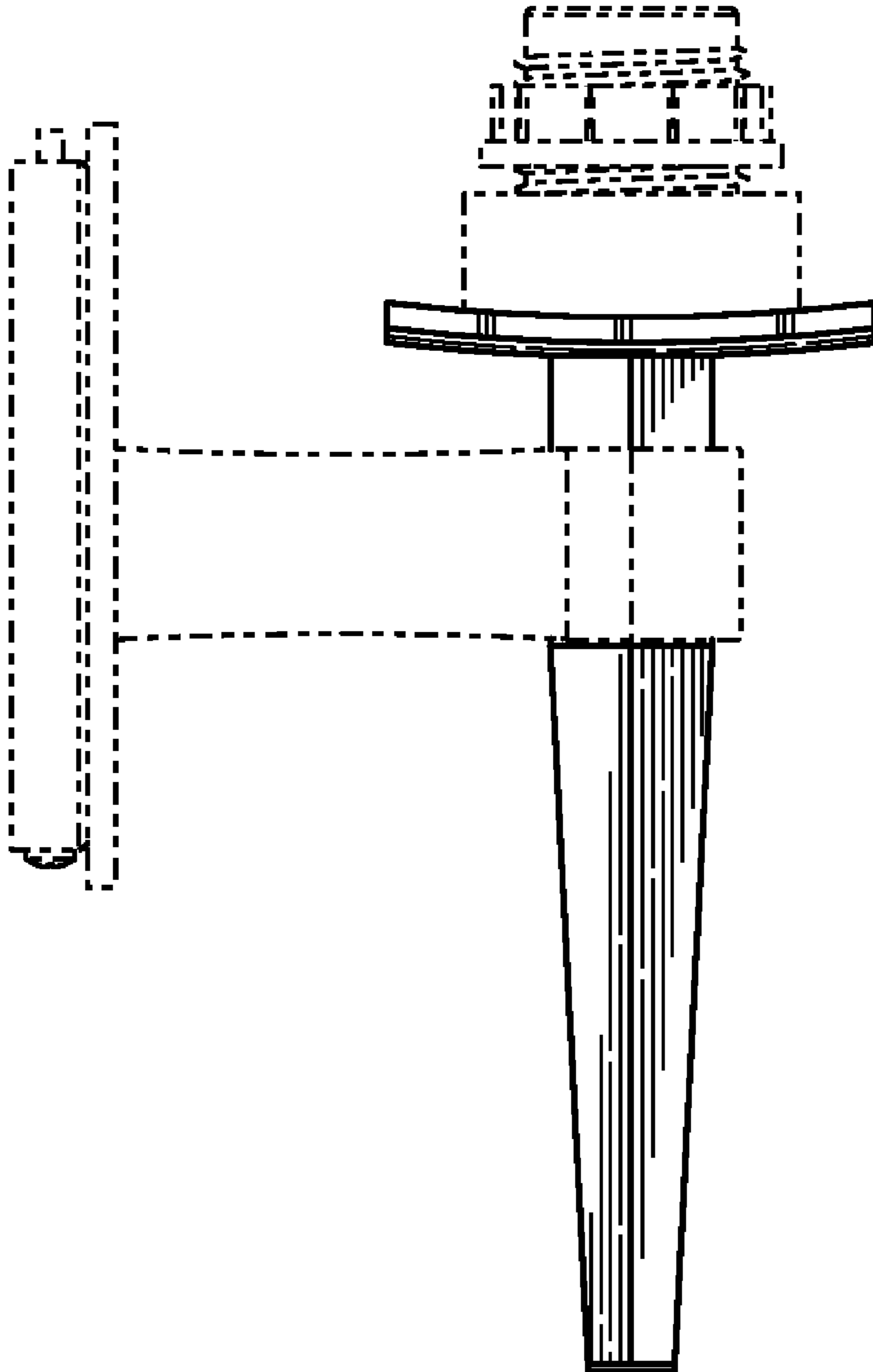


FIG. 4

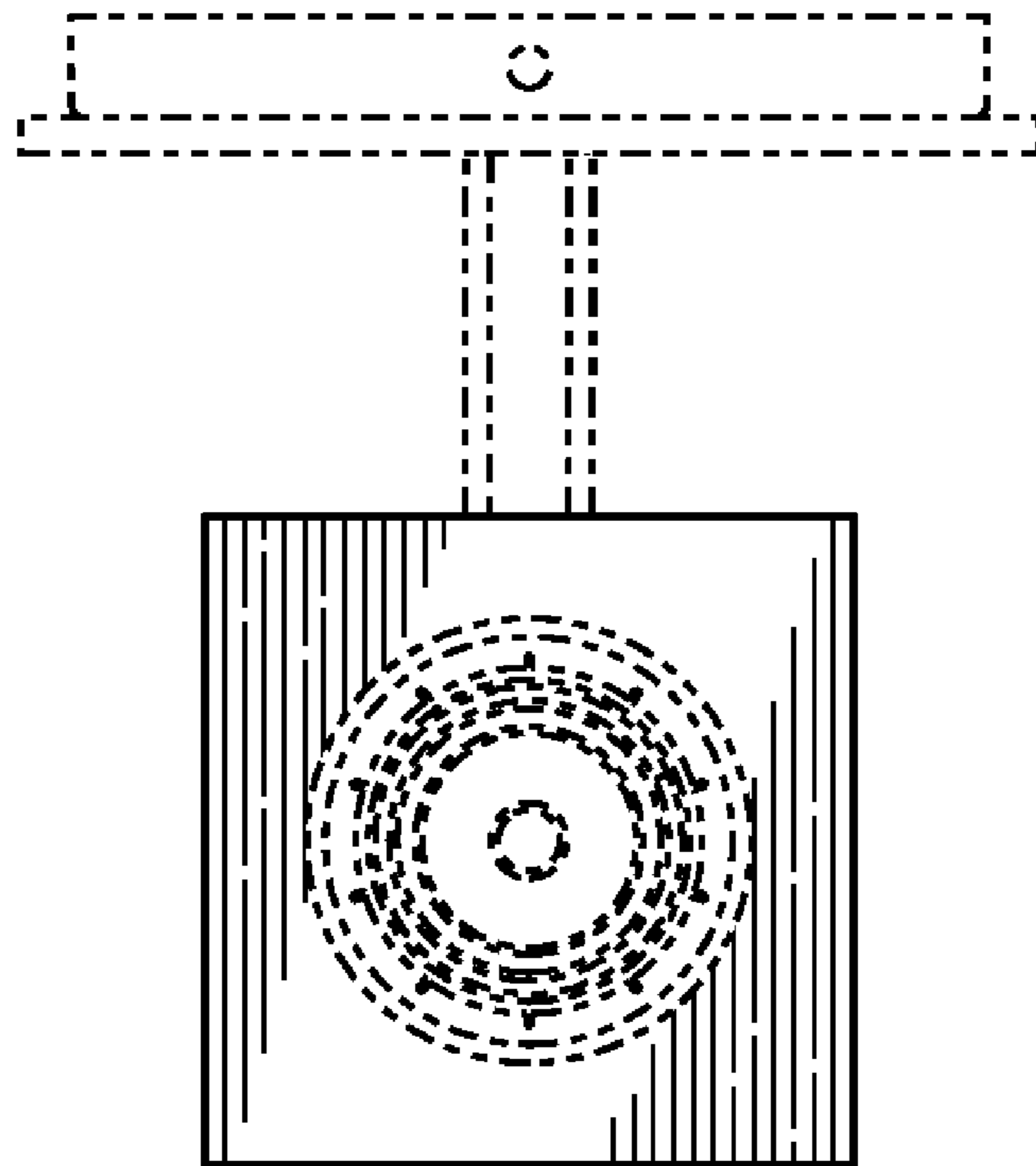


FIG. 5

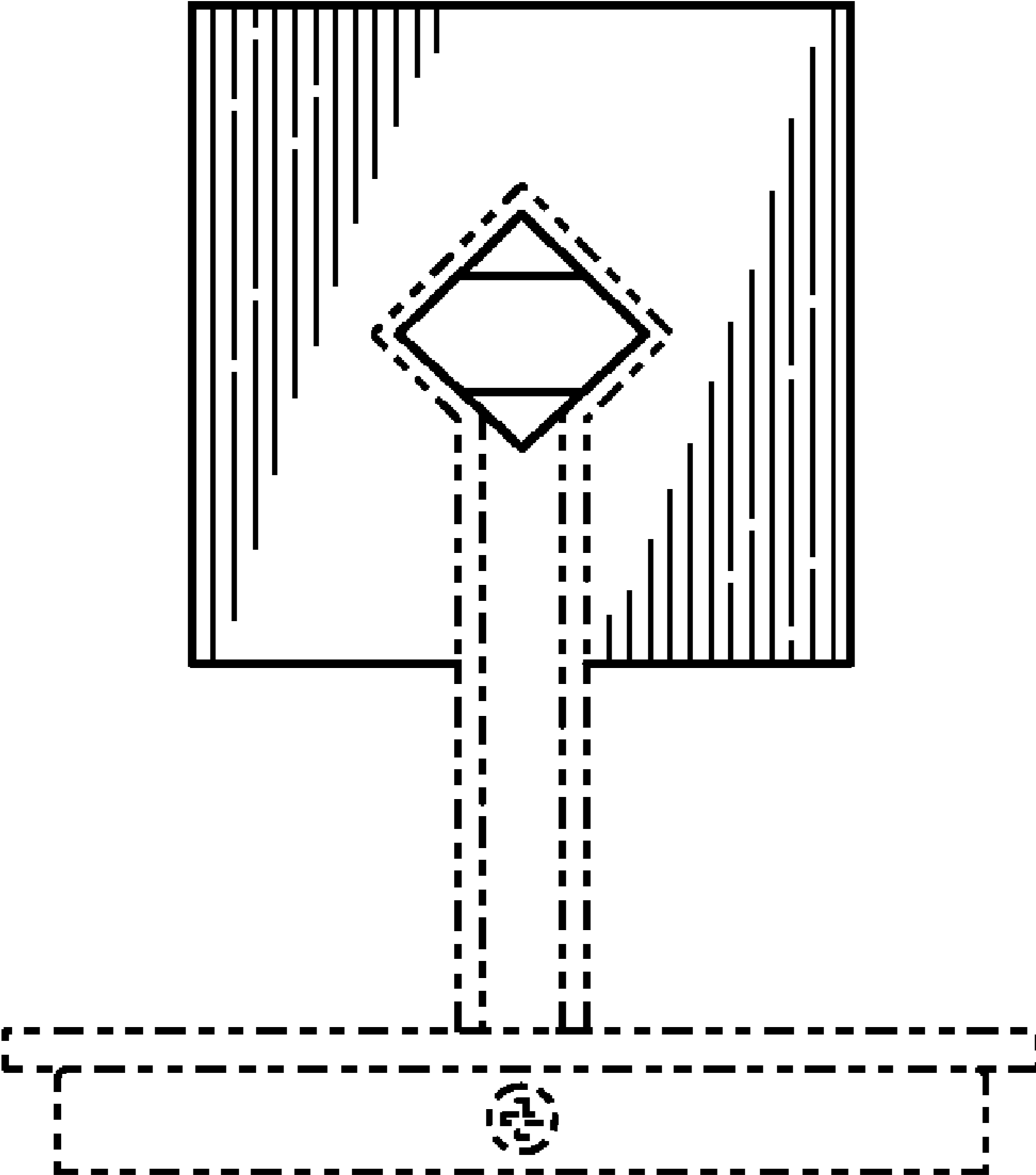


FIG. 6