



US00D630374S

(12) **United States Design Patent**
Leen

(10) **Patent No.:** **US D630,374 S**
(45) **Date of Patent:** **** Jan. 4, 2011**

(54) **WORKLIGHT FACEPLATE**
(76) Inventor: **Monte Leen**, 11730 NE. 12th St.,
Bellevue, WA (US) 98005
(**) Term: **14 Years**
(21) Appl. No.: **29/355,116**
(22) Filed: **Feb. 2, 2010**
(51) **LOC (9) Cl.** **26-99**
(52) **U.S. Cl.** **D26/138**
(58) **Field of Classification Search** D26/122,
D26/76, 52, 84, 85, 87, 67, 68, 69, 154, 155,
D26/152, 81, 128, 142, 144, 124, 116, 138,
D26/120, 60, 43, 24, 63, 72, 113, 71, 65,
D26/118, 61, 78, 51, 2, 119, 130, 140, 141;
D25/119, 138, 140; 362/147, 297, 84, 362,
362/376, 33, 240, 241, 294, 138, 153.1, 650,
362/257, 341, 351; D16/135; D5/62; D8/370;
160/332; 52/533; D11/79, 90, 9, 8; 431/289;
433/29, 30; D24/158, 209, 210; D13/134,
D13/179, 180; 257/712; 359/809
See application file for complete search history.

(56) **References Cited**
U.S. PATENT DOCUMENTS
3,167,258 A * 1/1965 Wilde 362/220
3,991,905 A * 11/1976 Nicpon 362/260
4,390,114 A * 6/1983 Sviatoslavsky et al. 220/4.02
4,413,312 A * 11/1983 Morkosky et al. 362/269
4,587,602 A * 5/1986 Dean et al. 362/375
4,709,305 A * 11/1987 McMahan et al. 362/519
D316,456 S * 4/1991 De Candia D26/63
5,255,965 A * 10/1993 Chen et al. 312/7.1
D355,502 S * 2/1995 Liao D26/67
5,493,484 A * 2/1996 Osteen et al. 362/410
D388,209 S * 12/1997 Grossman et al. D26/63

5,695,278 A * 12/1997 Grossman et al. 362/374
D419,709 S * 1/2000 Spitler D26/63
D434,515 S * 11/2000 McNamara D26/63
D438,667 S * 3/2001 Leen D26/113
6,196,705 B1 * 3/2001 Finke et al. 362/276
D450,149 S * 11/2001 Leen D26/65
D461,018 S * 7/2002 Leen D26/60
D482,153 S * 11/2003 McNamara D26/67
D486,261 S * 2/2004 Tsai D26/63
6,921,141 B1 * 7/2005 Porco 312/100
6,921,185 B2 * 7/2005 Monroe et al. 362/375
D519,238 S * 4/2006 Leen D26/119

(Continued)

Primary Examiner—Cathron C Brooks
Assistant Examiner—Kevin K Rudzinski
(74) *Attorney, Agent, or Firm*—Dean A. Craine

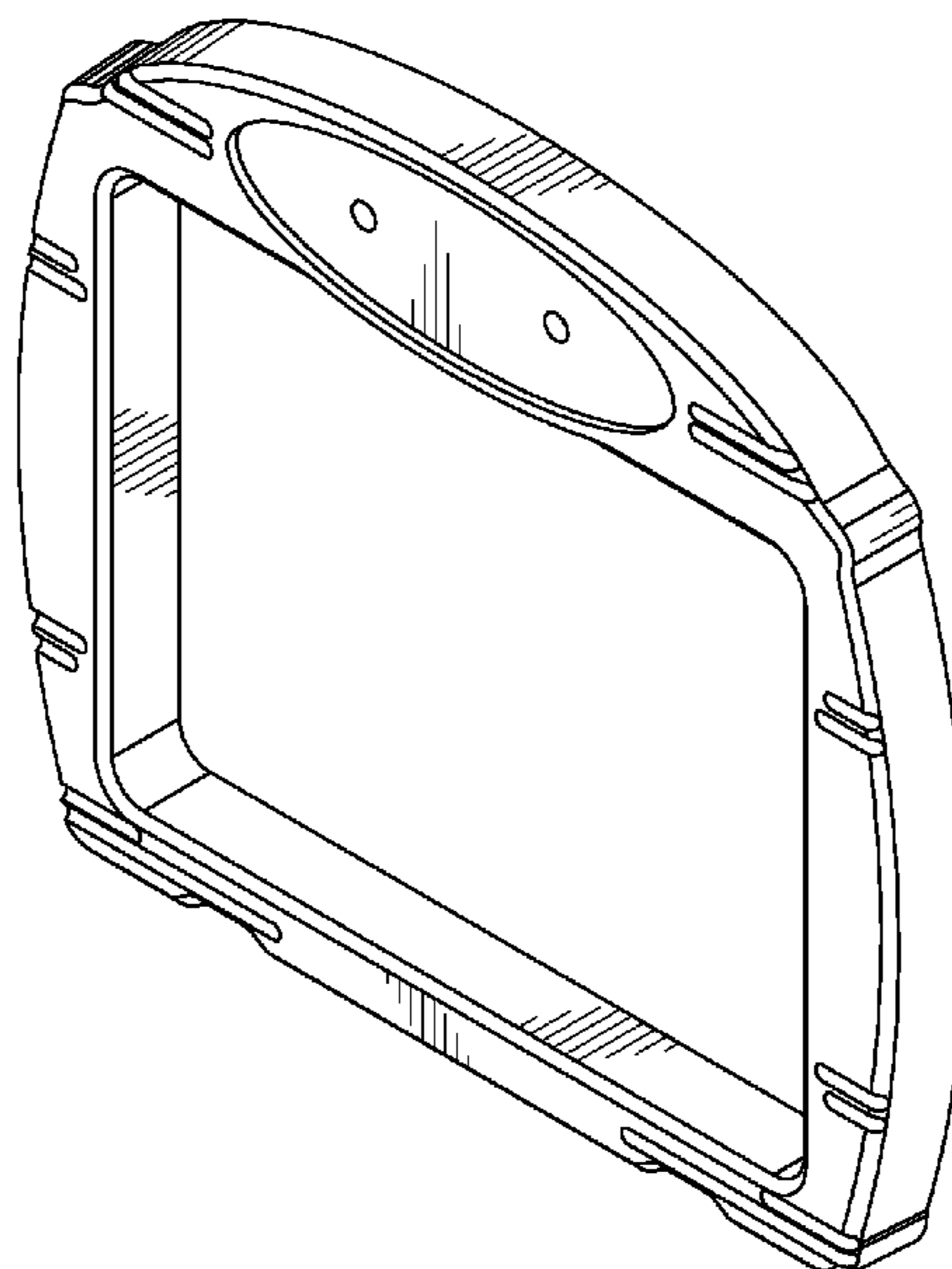
(57) **CLAIM**

The ornamental design for a worklight faceplate, as shown and described.

DESCRIPTION

FIG. 1 is a perspective view of the worklight faceplate.
FIG. 2 is a front elevational view of the invention.
FIG. 3 is a rear elevational view of the invention.
FIG. 4 is a top plan view of the invention.
FIG. 5 is a bottom plan view of the invention.
FIG. 6 is a right side view of the invention; and,
FIG. 7 is a left side view of the invention.
The broken lines shown are included for the purpose of illustrating environment and form no part of the claimed design.

1 Claim, 2 Drawing Sheets



US D630,374 S

Page 2

U.S. PATENT DOCUMENTS

| | | | | | | | |
|----------------|--------|--------------------|---------|---------------------|---------|-----------------|---------|
| 7,073,925 B2 * | 7/2006 | Stekelenburg | 362/376 | D583,988 S * | 12/2008 | Sandell | D26/138 |
| D563,020 S * | 2/2008 | Campagna | D26/72 | 7,543,958 B2 * | 6/2009 | Chi et al. | 362/276 |
| 7,375,279 B2 * | 5/2008 | Chen | 174/66 | * cited by examiner | | | |

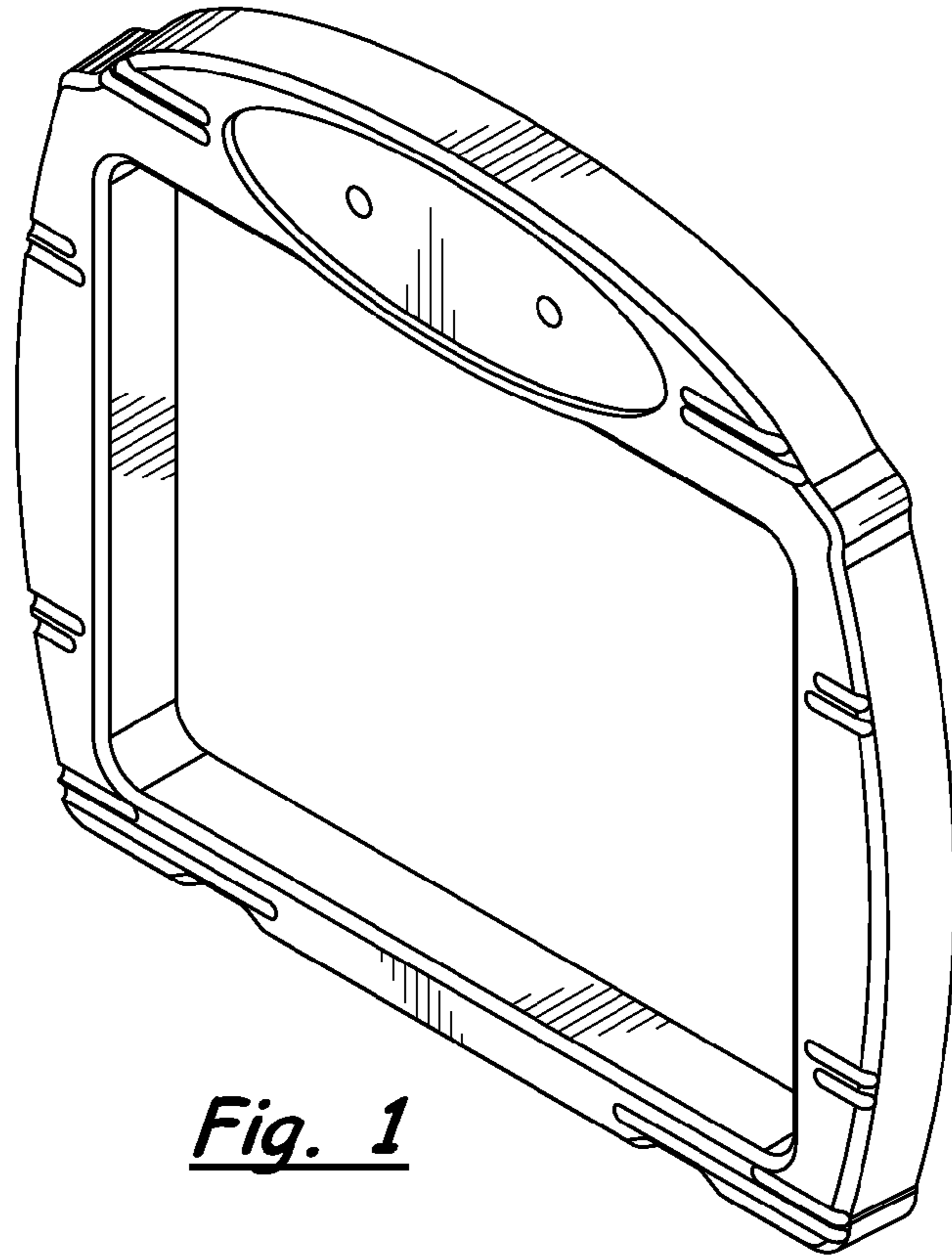


Fig. 1

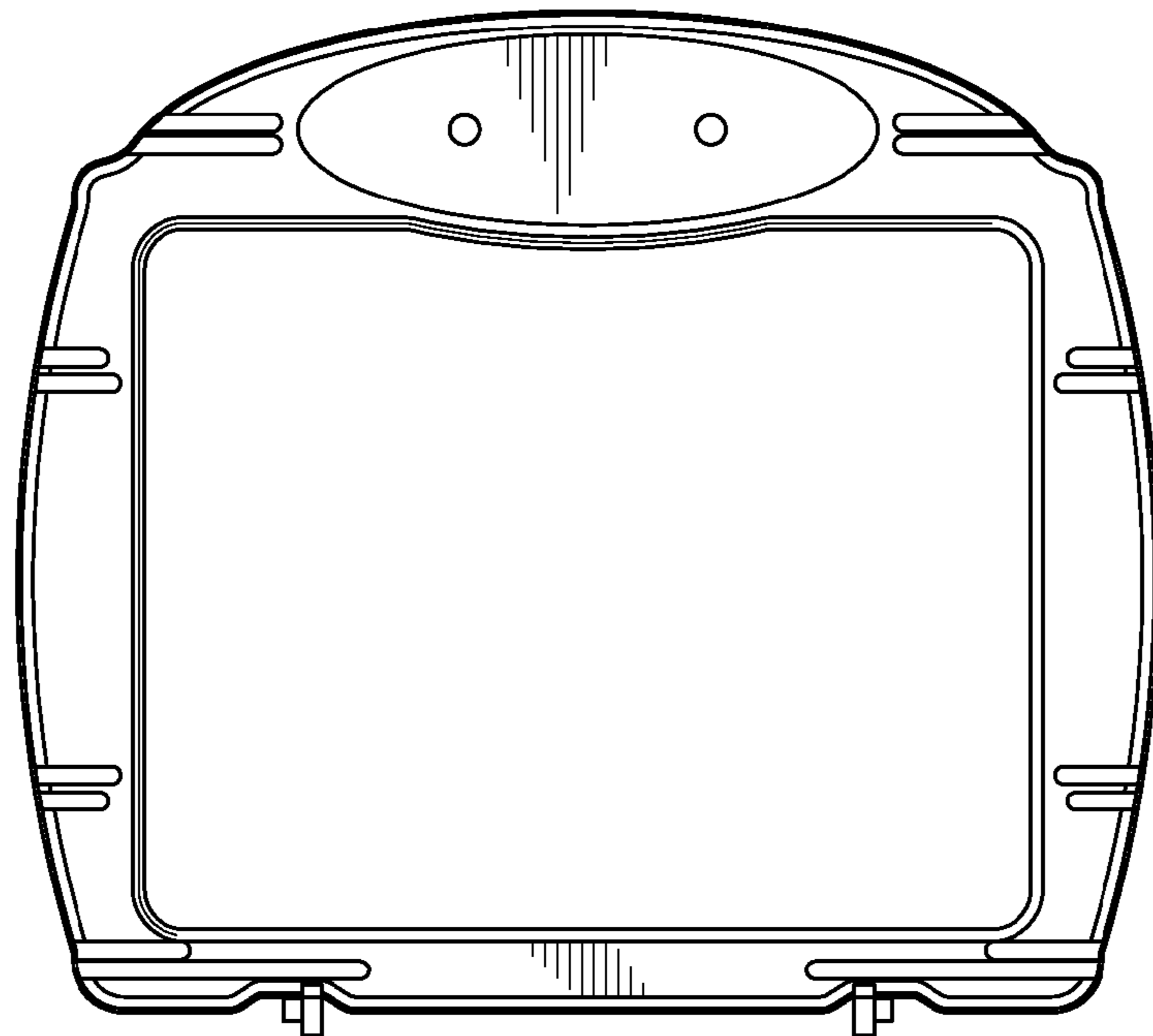


Fig. 2

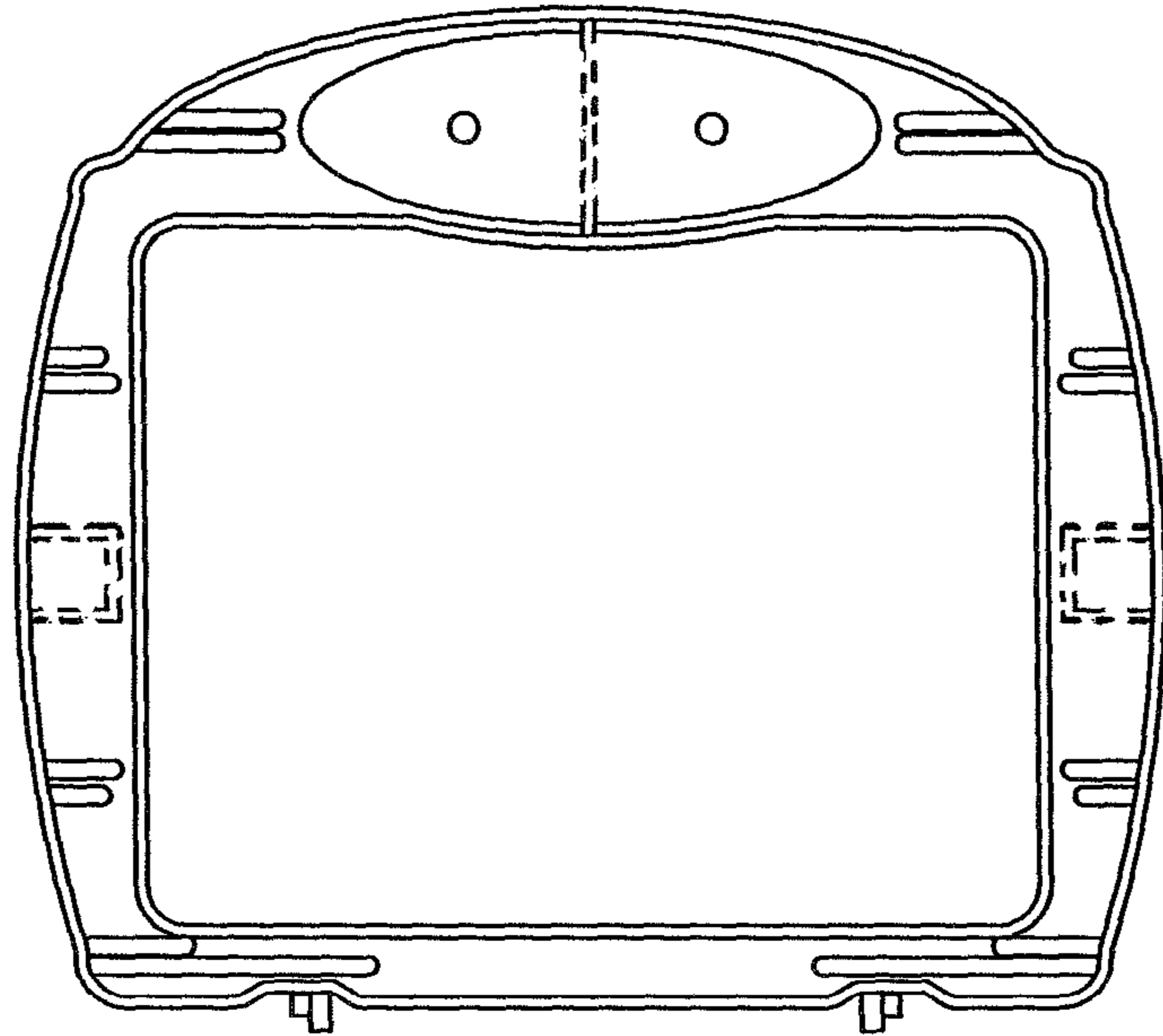


Fig. 3

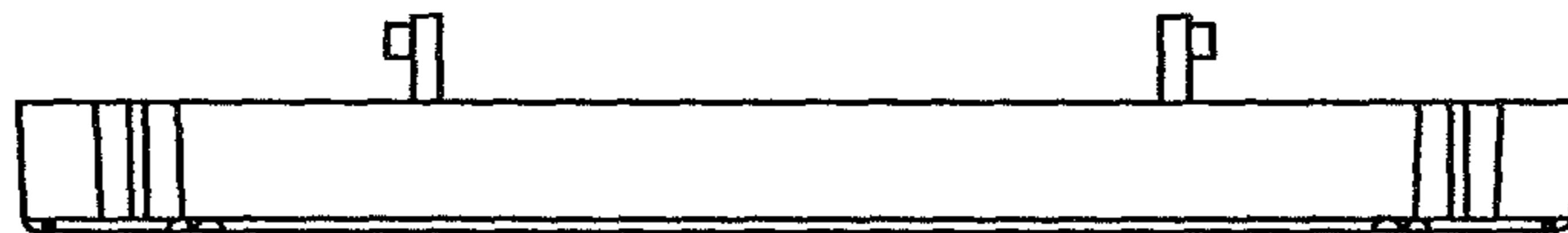


Fig. 4

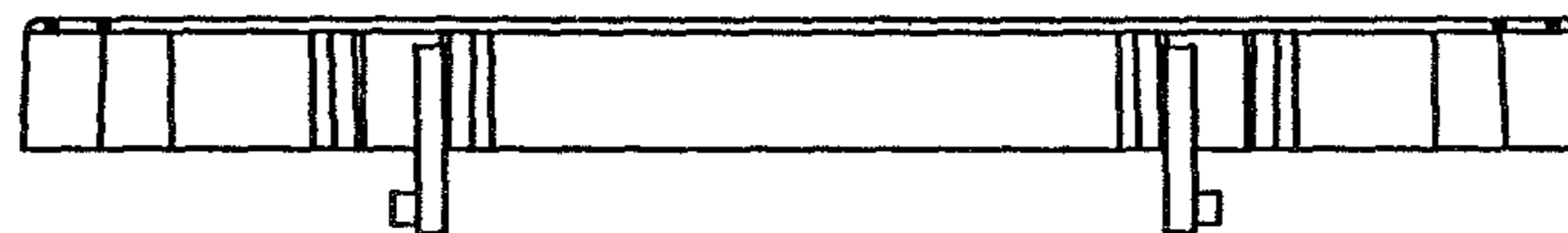


Fig. 5



Fig. 6

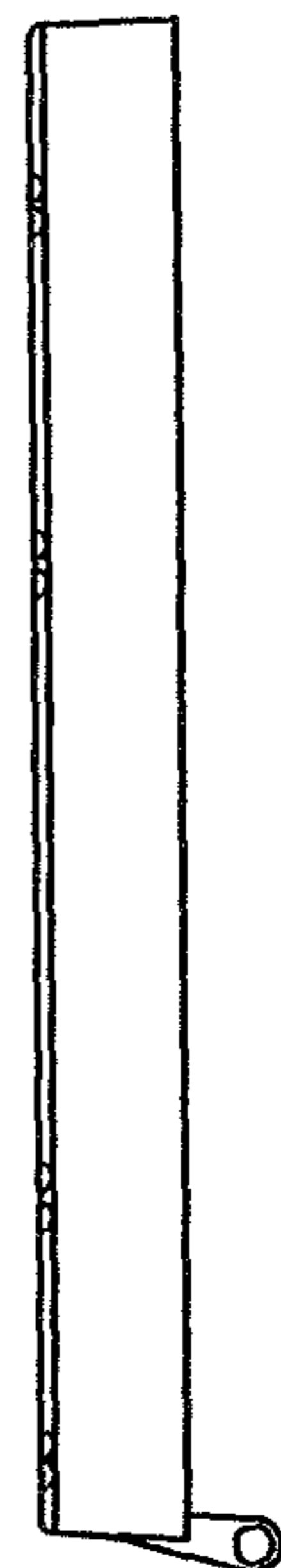


Fig. 7