



US00D630373S

(12) **United States Design Patent**  
**Kim et al.**

(10) **Patent No.:** **US D630,373 S**  
(45) **Date of Patent:** **\*\* Jan. 4, 2011**

(54) **LED LAMP**

(75) Inventors: **Han Gyoul Kim**, Seoul (KR); **Jin Wook Kim**, Seoul (KR)

(73) Assignee: **LG Innotek Co., Ltd.**, Seoul (KR)

(\*\*) Term: **14 Years**

(21) Appl. No.: **29/360,134**

(22) Filed: **Apr. 21, 2010**

(30) **Foreign Application Priority Data**

Apr. 7, 2010 (KR) ..... 30-2010-0015196

(51) **LOC (9) Cl.** ..... **26-99**

(52) **U.S. Cl.** ..... **D26/128**

(58) **Field of Classification Search** ..... D26/2,  
D26/118, 120, 129, 138, 63, 65, 128, 154,  
D26/119, 28, 155, 142, 121, 122, 152, 123,  
D26/124, 153, 130, 141, 92, 87, 93, 85, 145;  
D11/89, 90, 91, 92; 273/153 S, 160; 362/223,  
362/544, 240, 545; D9/529; D21/478, 479;  
D34/1; D7/509, 586; D13/134, 179, 180  
See application file for complete search history.

(56) **References Cited**

**U.S. PATENT DOCUMENTS**

- D70,159 S \* 5/1926 Crumley ..... D26/144
- 3,538,321 A \* 11/1970 Keller et al. .... 362/289
- 4,503,360 A \* 3/1985 Bedel ..... 315/112
- D323,565 S \* 1/1992 Woodgate ..... D26/63
- D329,101 S \* 9/1992 Landefeld ..... D26/68
- D346,239 S \* 4/1994 Vamberszky et al. .... D26/118
- 5,351,174 A \* 9/1994 Ewing ..... 362/655
- D386,805 S \* 11/1997 Bonnette et al. .... D26/74
- D423,707 S \* 4/2000 Hammond ..... D26/67
- D445,947 S \* 7/2001 Johnson ..... D26/142

- D469,209 S \* 1/2003 Homann ..... D26/118
- D476,728 S \* 7/2003 Gajewski ..... D23/377
- D483,903 S \* 12/2003 Skradski et al. .... D26/118
- D483,904 S \* 12/2003 Skradski et al. .... D26/118
- D508,236 S \* 8/2005 Duke et al. .... D13/184
- 7,220,024 B1 \* 5/2007 Berends ..... 362/217.08
- D566,880 S \* 4/2008 Silver ..... D26/88
- D605,323 S \* 12/2009 Mier-Langner et al. .... D26/63

\* cited by examiner

*Primary Examiner*—Cathron C Brooks

*Assistant Examiner*—Kevin K Rudzinski

(74) *Attorney, Agent, or Firm*—McKenna Long & Aldridge LLP

(57) **CLAIM**

The ornamental design for an LED lamp, as shown and described.

**DESCRIPTION**

FIG. 1 is a top front perspective view of an LED lamp showing my new design;

FIG. 2 is a front elevational view thereof;

FIG. 3 is a rear elevational view thereof;

FIG. 4 is a left side elevational view thereof;

FIG. 5 is a right side elevational view thereof;

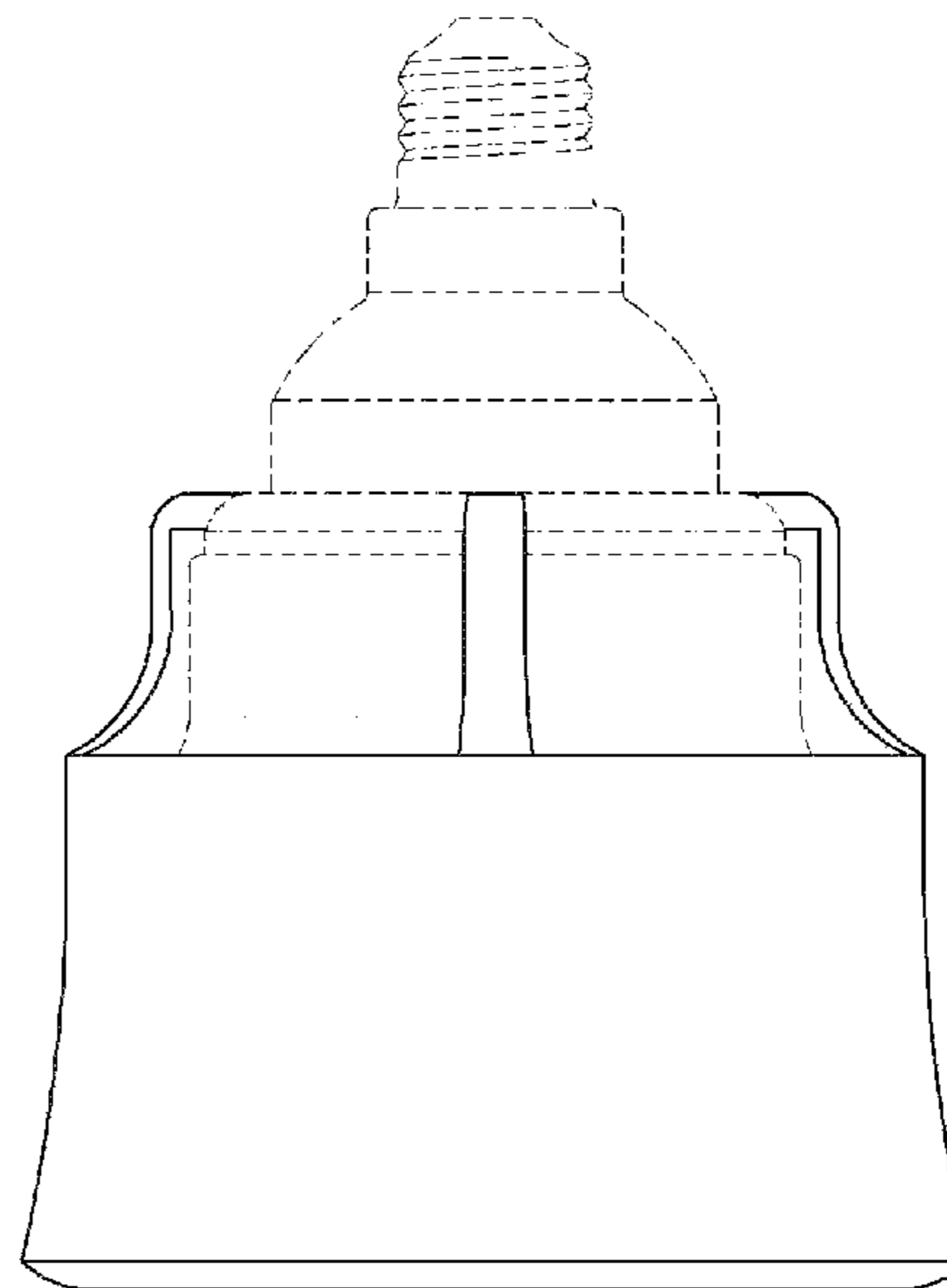
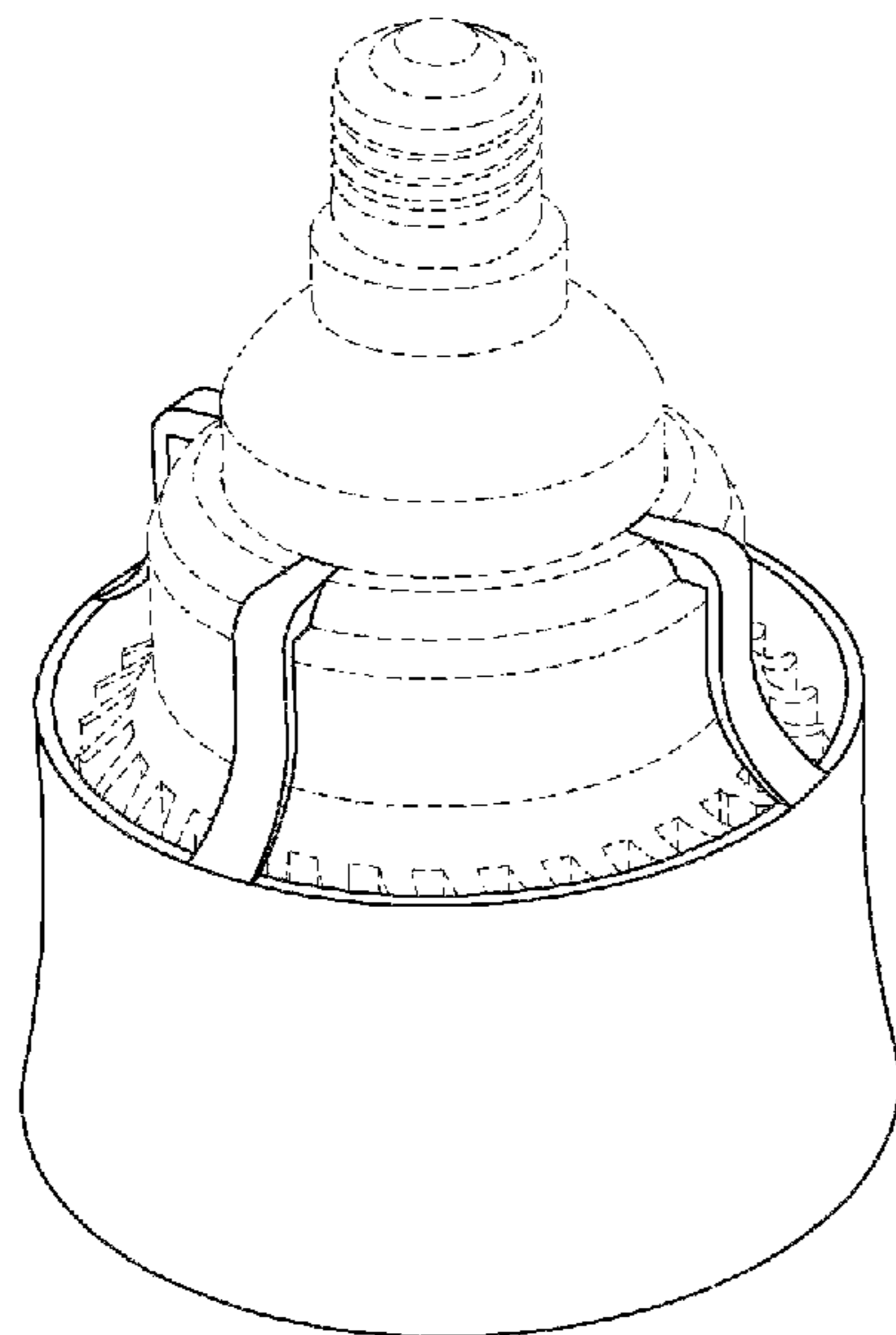
FIG. 6 is a top plan view thereof;

FIG. 7 is a bottom plan view thereof; and,

FIG. 8 is a bottom front perspective view thereof.

The solid diagonal lines in FIG. 8 demark light emitting parts and form no part of the claimed design. The broken lines shown in the drawings are included for the purpose of illustrating environmental structures and form no part of the claimed design.

**1 Claim, 5 Drawing Sheets**



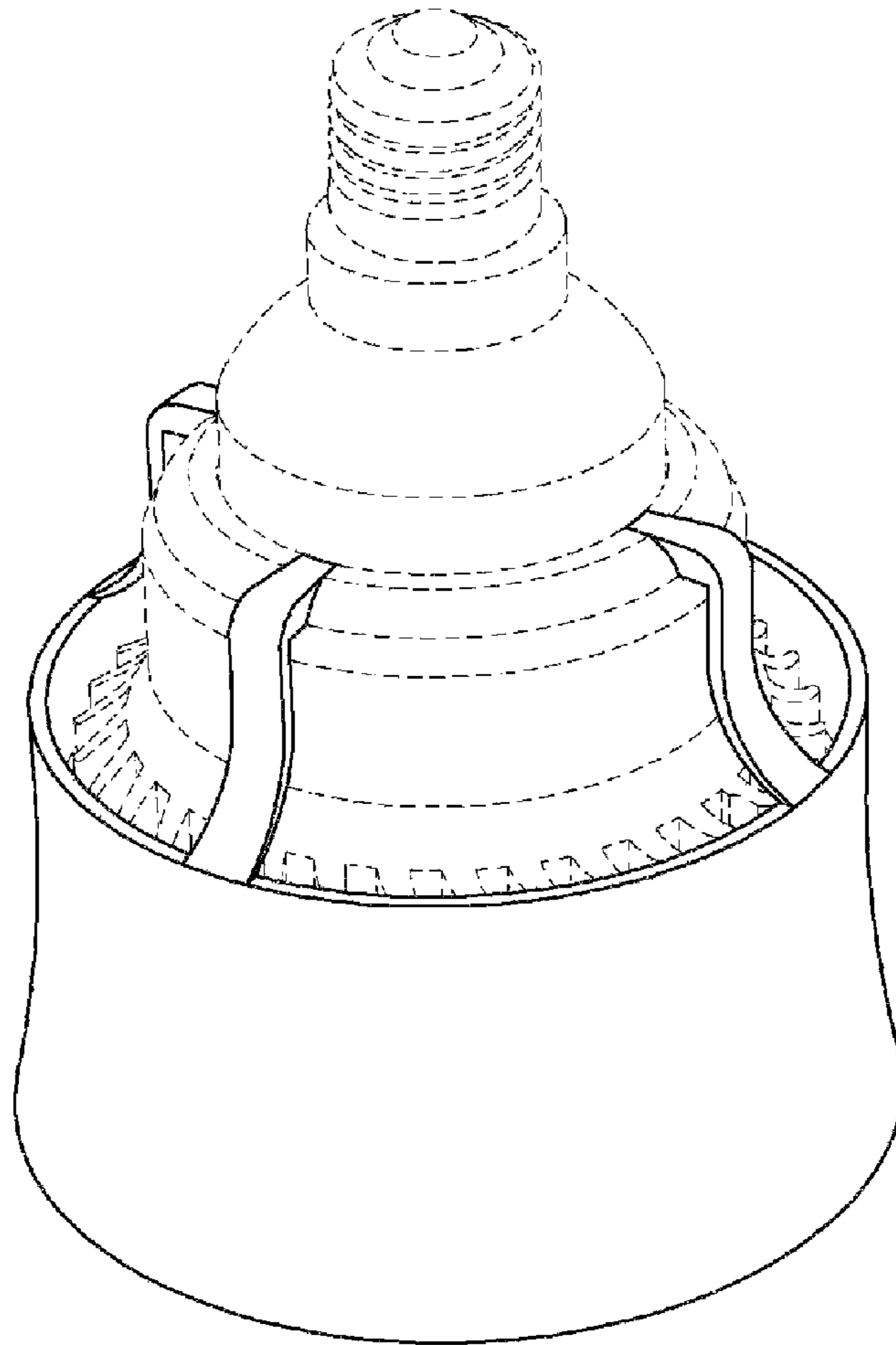


FIG. 1

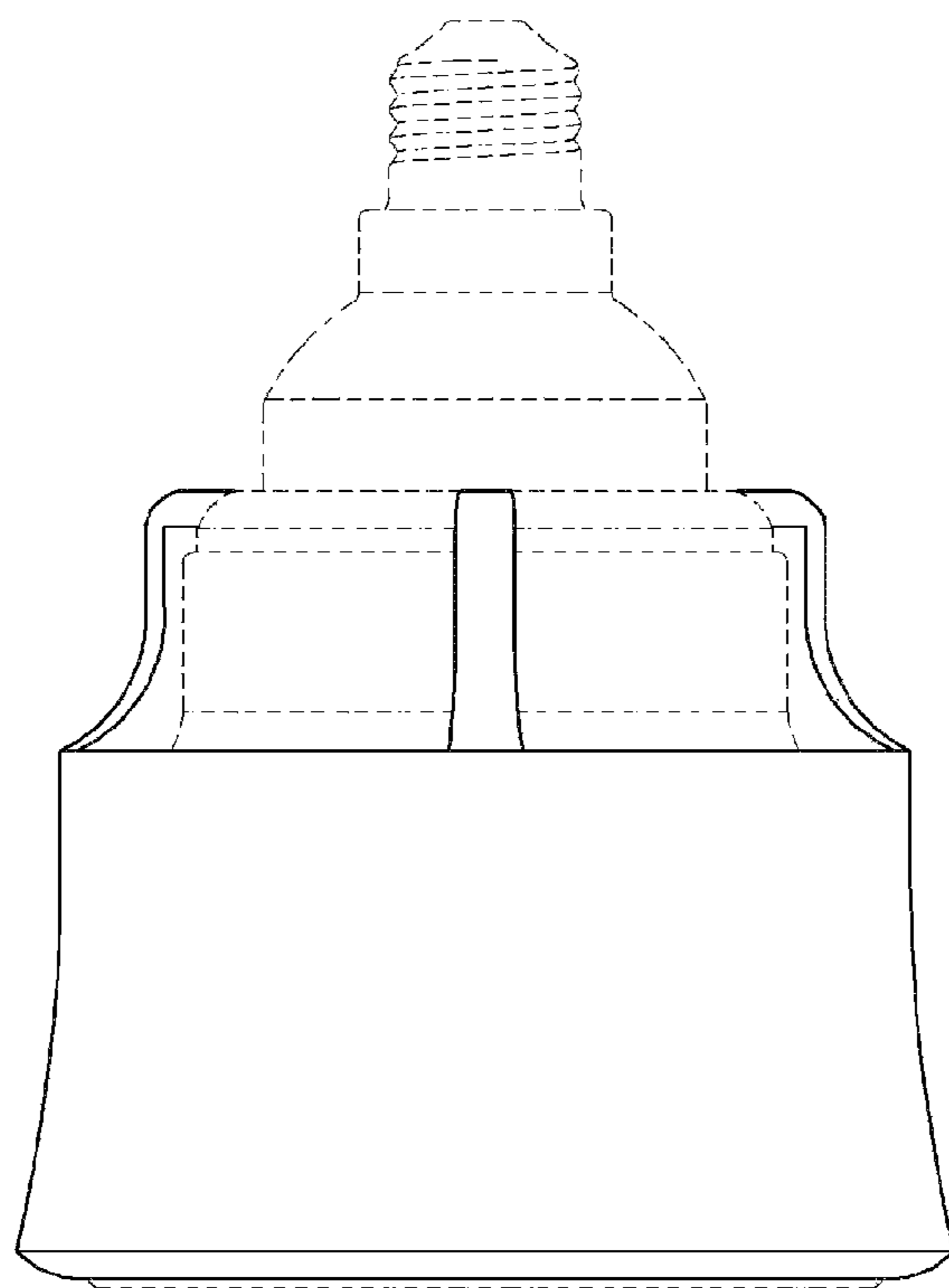


FIG. 2

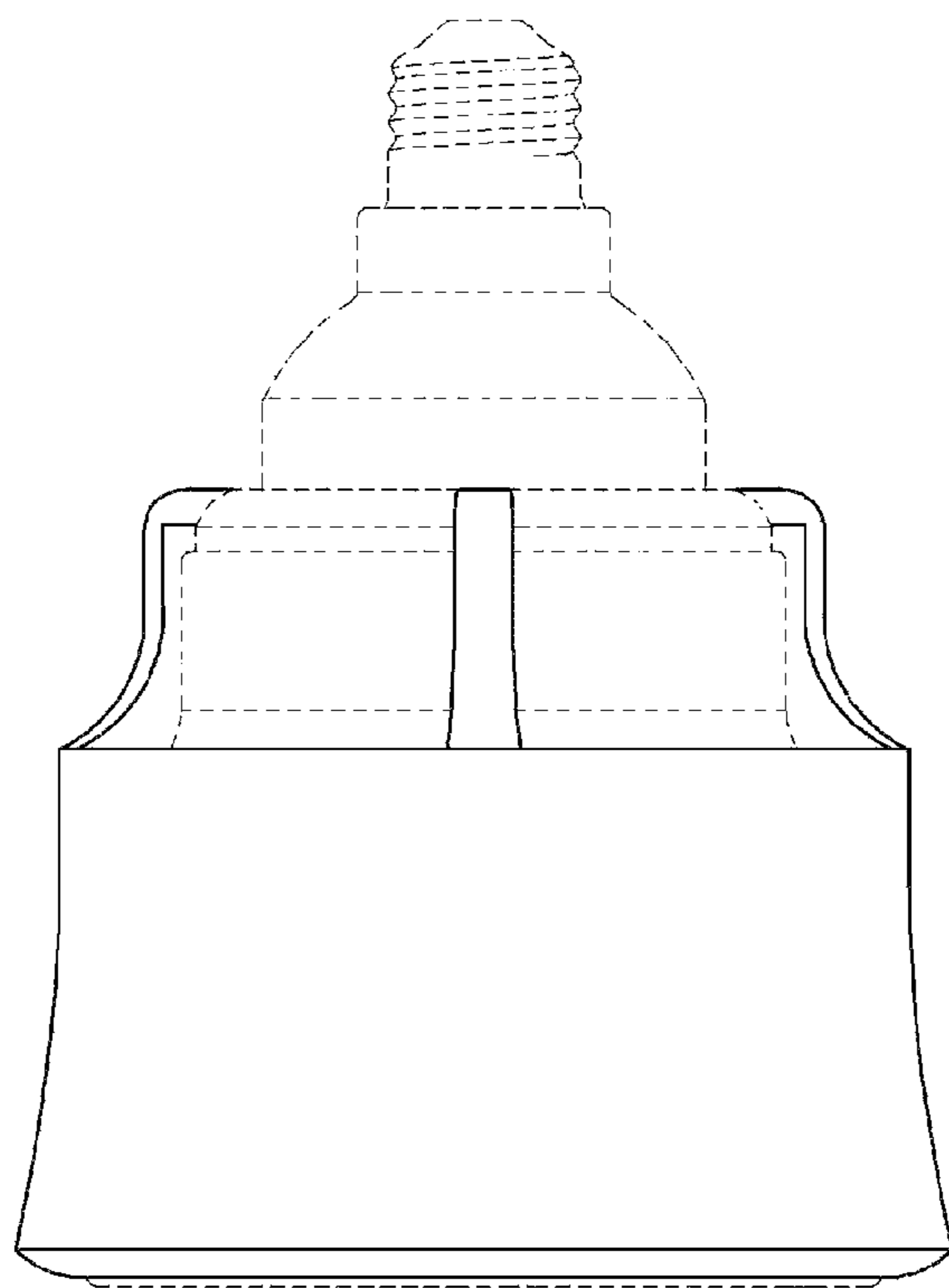


FIG. 3

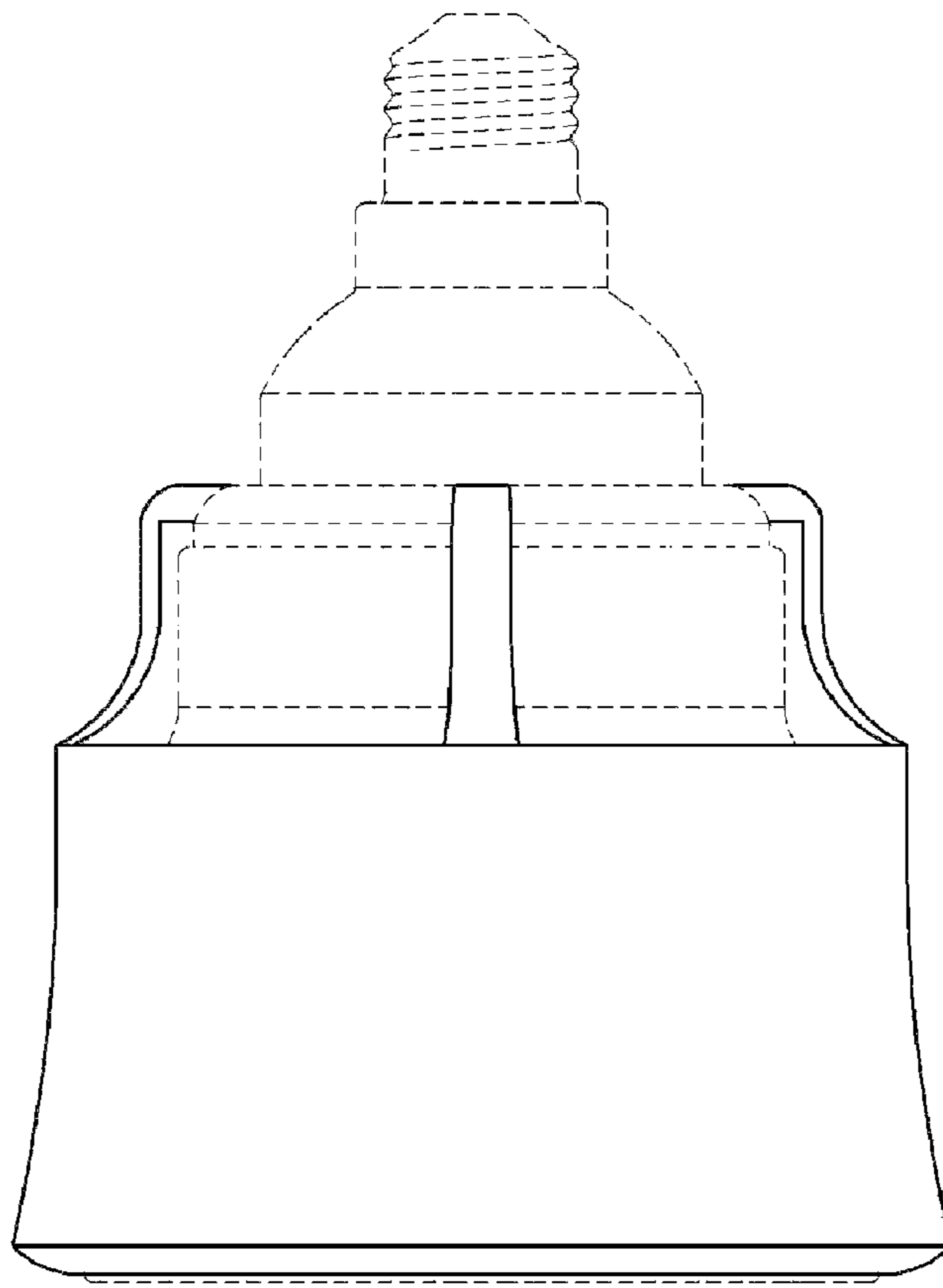


FIG. 4

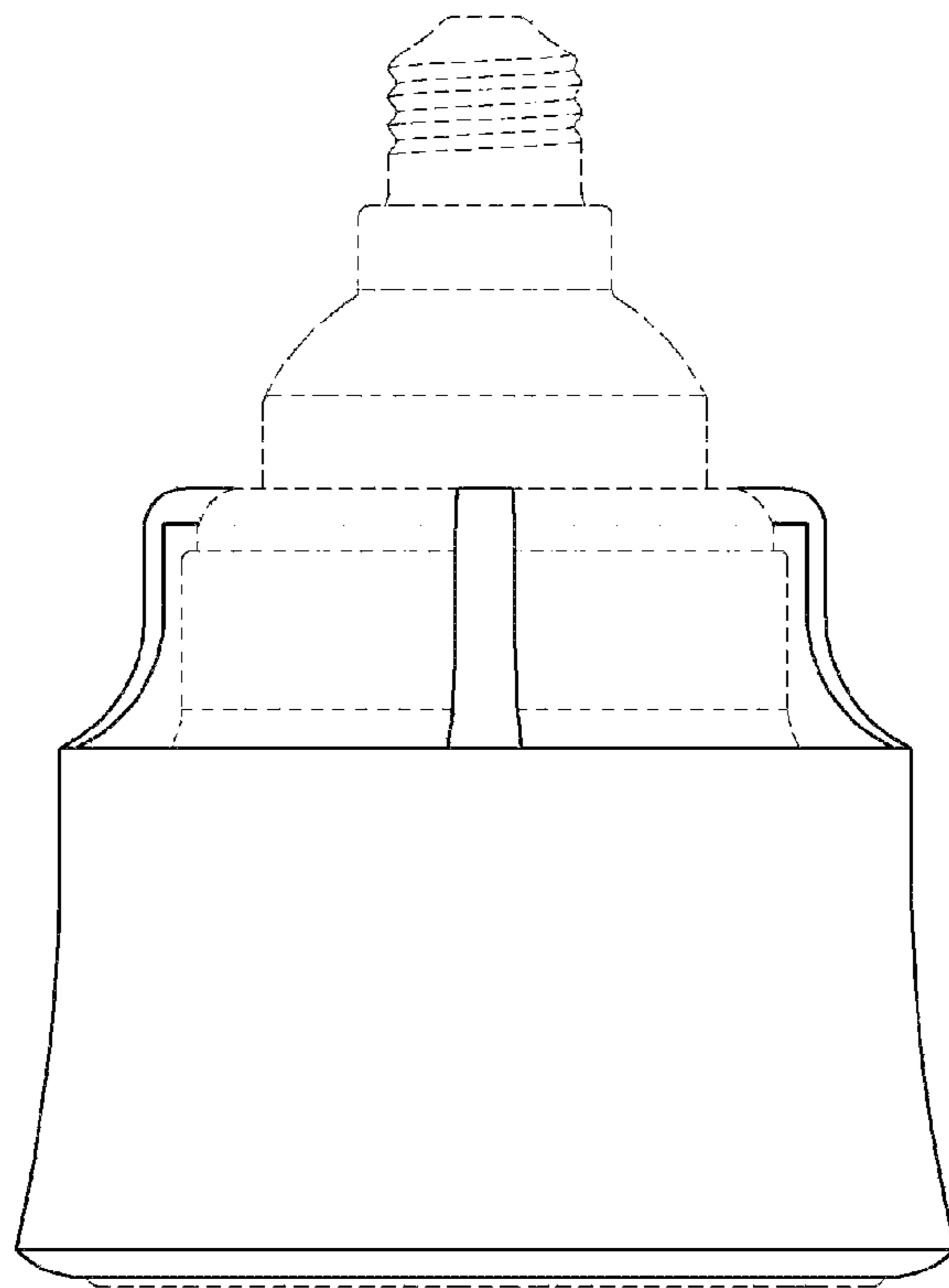


FIG. 5

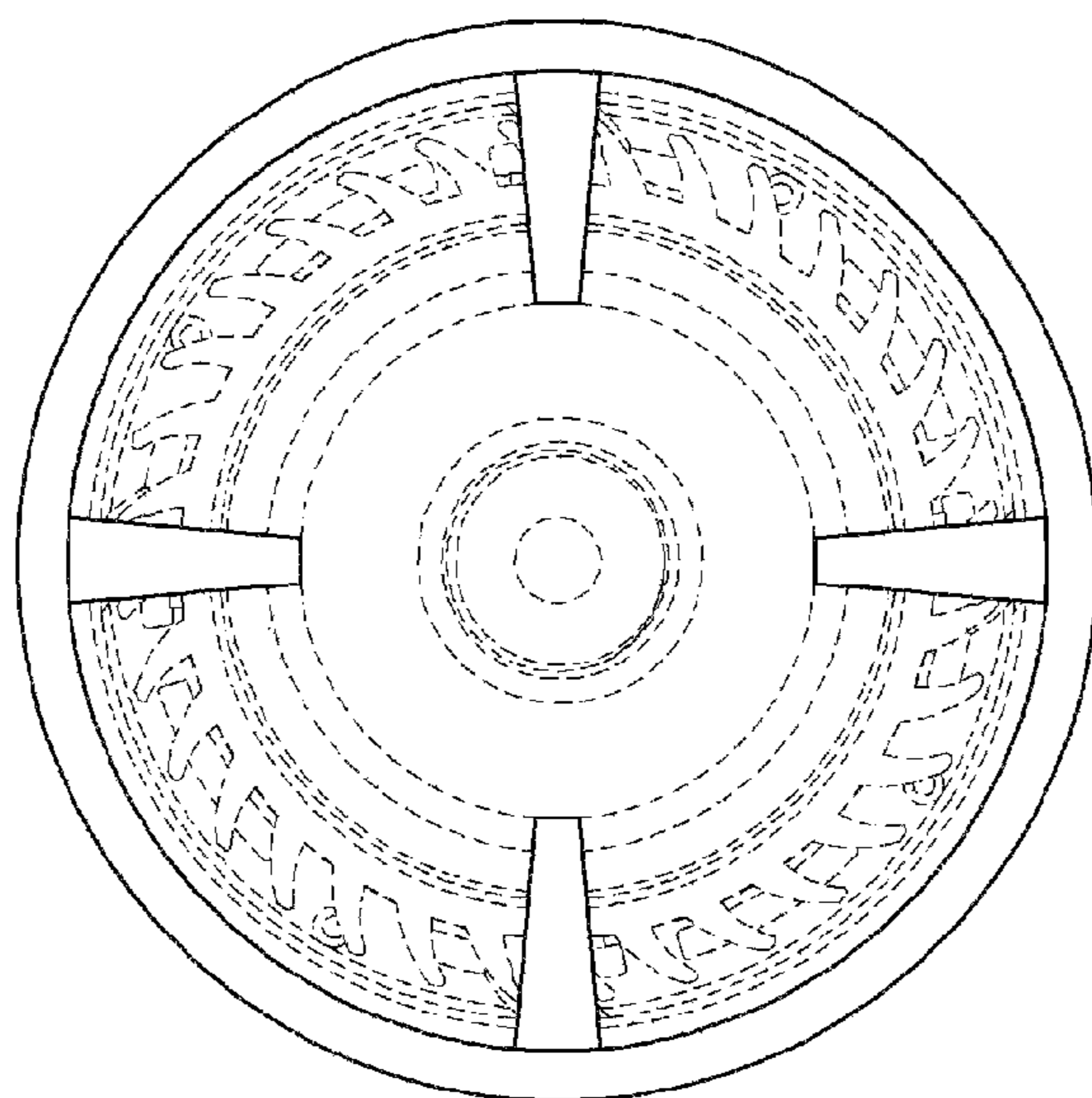


FIG. 6

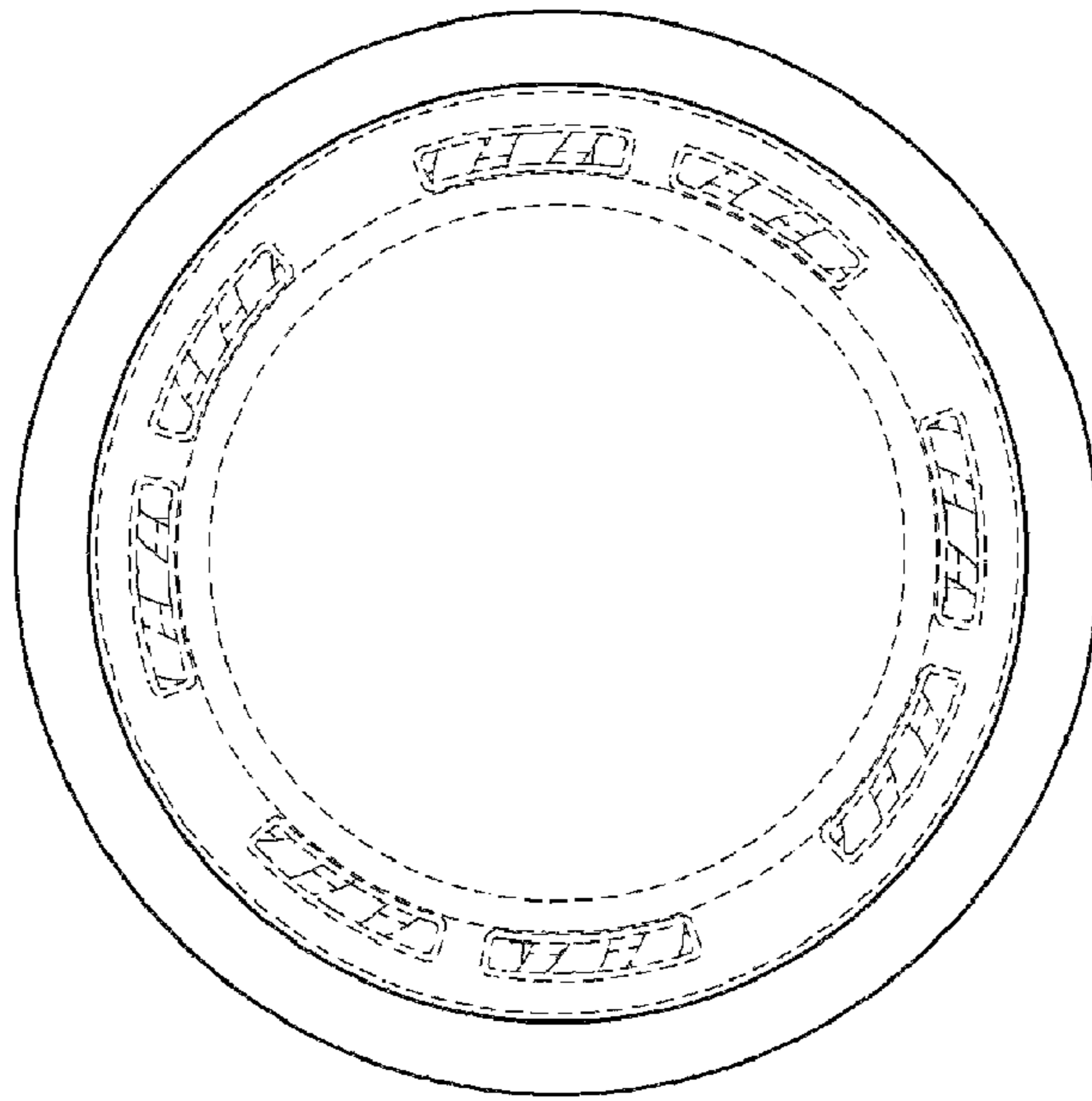


FIG. 7

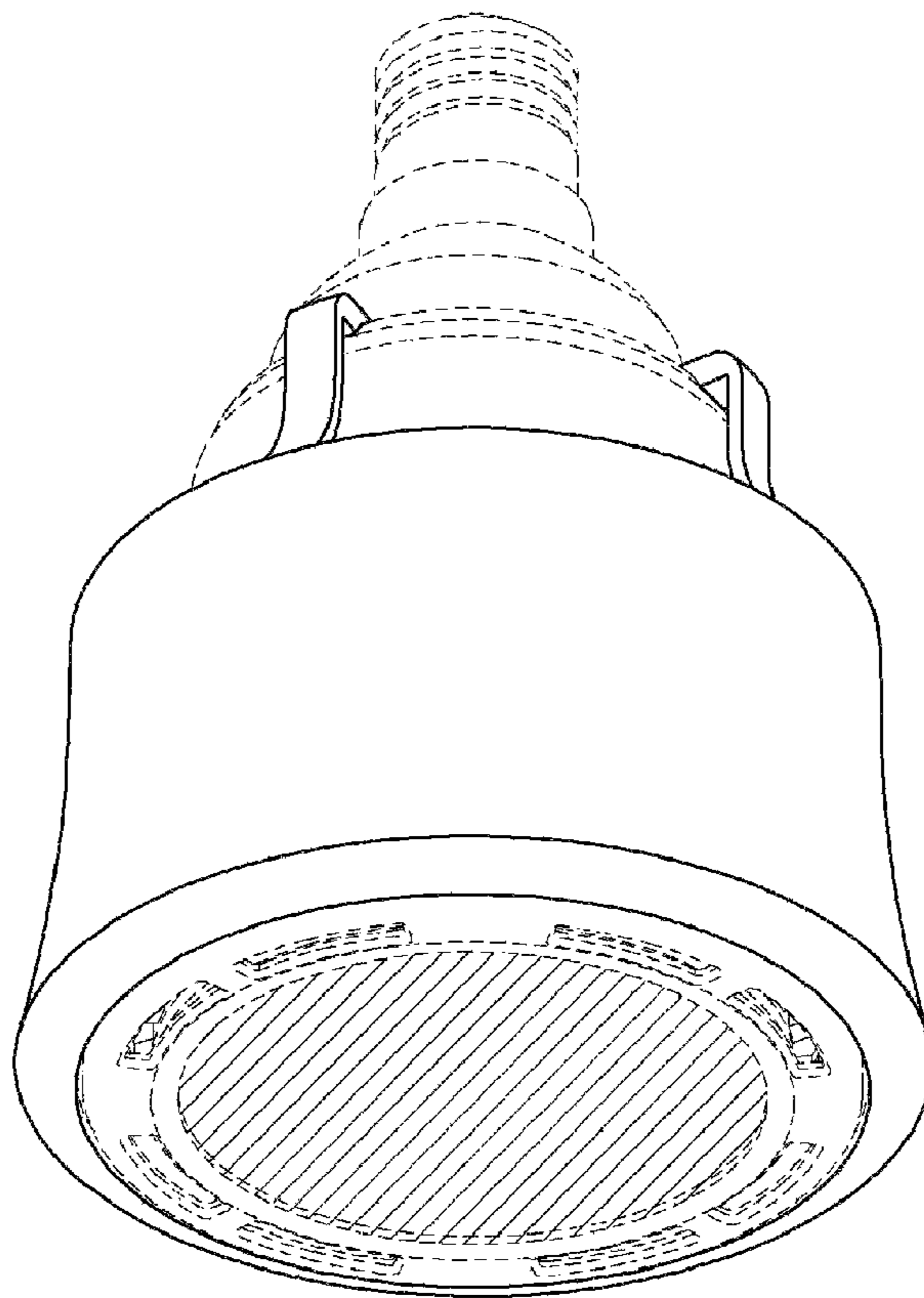


FIG. 8