



US00D630372S

(12) **United States Design Patent**  
**Lodhie**

(10) **Patent No.:** **US D630,372 S**  
(45) **Date of Patent:** **\*\* \*Jan. 4, 2011**

(54) **TWO-STAGE LED LIGHT MODULE**

(76) Inventor: **Pervaiz Lodhie**, 23105 Kashiwa Ct.,  
Torrance, CA (US) 90505

(\*\*) Term: **14 Years**

(21) Appl. No.: **29/356,310**

(22) Filed: **Feb. 23, 2010**

**Related U.S. Application Data**

(63) Continuation of application No. 29/318,602, filed on  
Jun. 10, 2008, now Pat. No. Des. 613,885.

(51) **LOC (9) Cl.** ..... **26-99**

(52) **U.S. Cl.** ..... **D26/122; D26/118**

(58) **Field of Classification Search** ..... D26/72,  
D26/81-86, 88-91, 118-122; 362/147, 404-408,  
362/443, 457, 341, 346

See application file for complete search history.

(56) **References Cited**

**U.S. PATENT DOCUMENTS**

1,800,078 A	4/1931	Johnson	
1,838,789 A	12/1931	Schepperle	
2,260,473 A	10/1941	Minchillo	
2,408,643 A	10/1946	Hoy	
D168,812 S *	2/1953	Ulrick	..... D26/67
D195,310 S	5/1963	Zagel	
D198,183 S *	5/1964	Akely	..... D26/71
3,183,346 A	5/1965	Spaulding et al.	
3,474,381 A	10/1969	Baldwin	
3,539,801 A	11/1970	Bobrick	
3,603,918 A	9/1971	Woertz	
3,718,816 A	2/1973	Seelbach et al.	
3,980,368 A	9/1976	Fremont	
4,190,309 A	2/1980	Glass	
4,211,955 A	7/1980	Ray	
4,214,295 A	7/1980	Morton	
4,217,018 A	8/1980	Yoshida et al.	
4,655,520 A	4/1987	Cummings	
4,727,289 A	2/1988	Uchida	
4,729,742 A	3/1988	Onishi et al.	
4,772,869 A	9/1988	Grammas et al.	

4,812,814 A	3/1989	Elliott
4,868,719 A	9/1989	Kouchi et al.
4,907,361 A	3/1990	Villard
4,965,457 A	10/1990	Wrobel
5,055,984 A	10/1991	Hung et al.
D326,532 S	5/1992	Hume et al.
5,119,174 A	6/1992	Chen

(Continued)

**OTHER PUBLICATIONS**

U.S. Appl. No. 11/928,349, filed Oct. 30, 2007, Lodhie.

(Continued)

*Primary Examiner*—Clare E Heflin

(74) *Attorney, Agent, or Firm*—Alonzo & Associates; Arlyn Alonzo

(57) **CLAIM**

The ornamental design for a two-stage LED light module, as shown and described.

**DESCRIPTION**

FIG. 1 is a perspective view of a two-stage LED light module showing the new design;

FIG. 2 is a right side view thereof.

FIG. 3 is a left side view thereof.

FIG. 4 is a front view thereof.

FIG. 5 is a back view thereof.

FIG. 6 is a top view thereof.

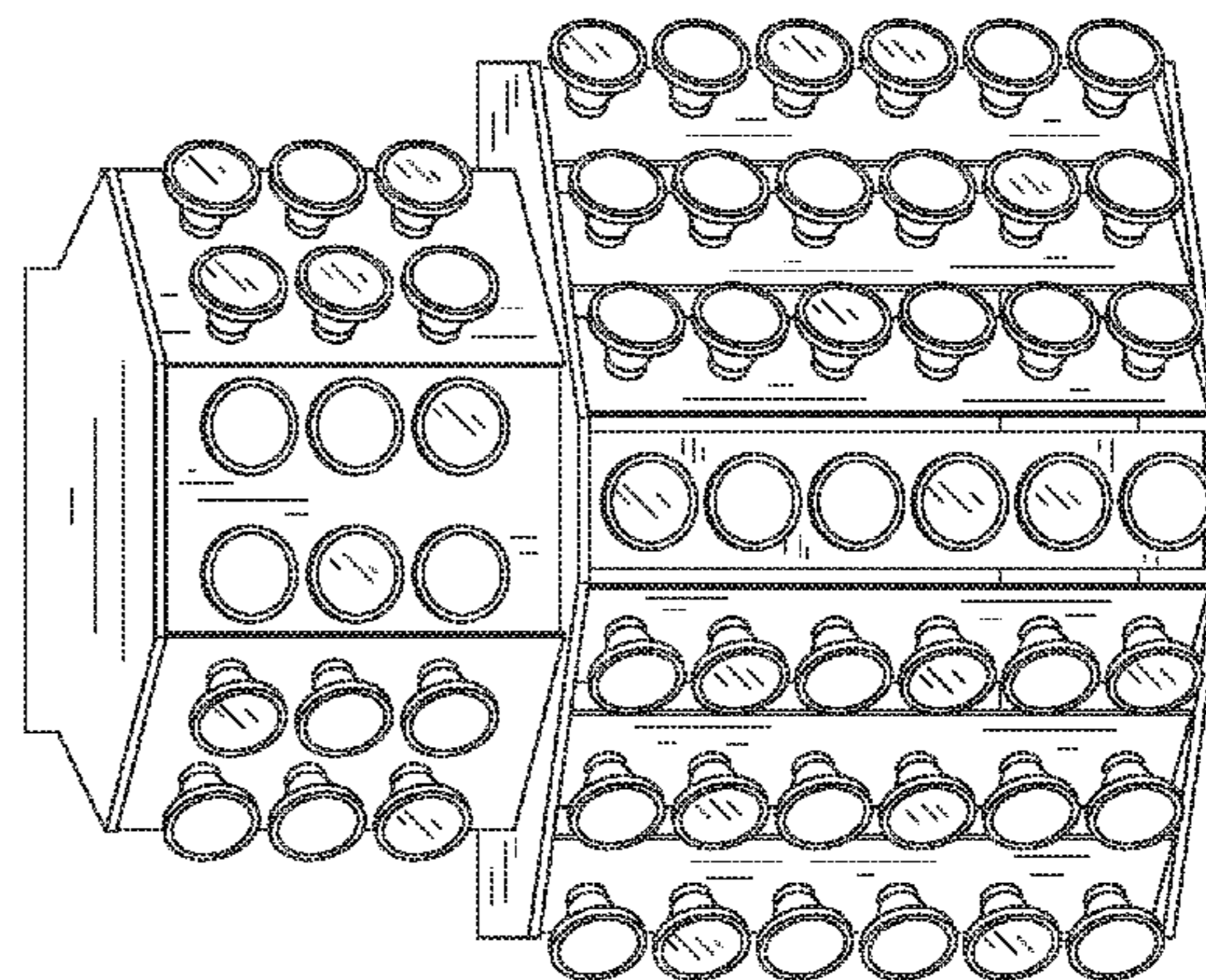
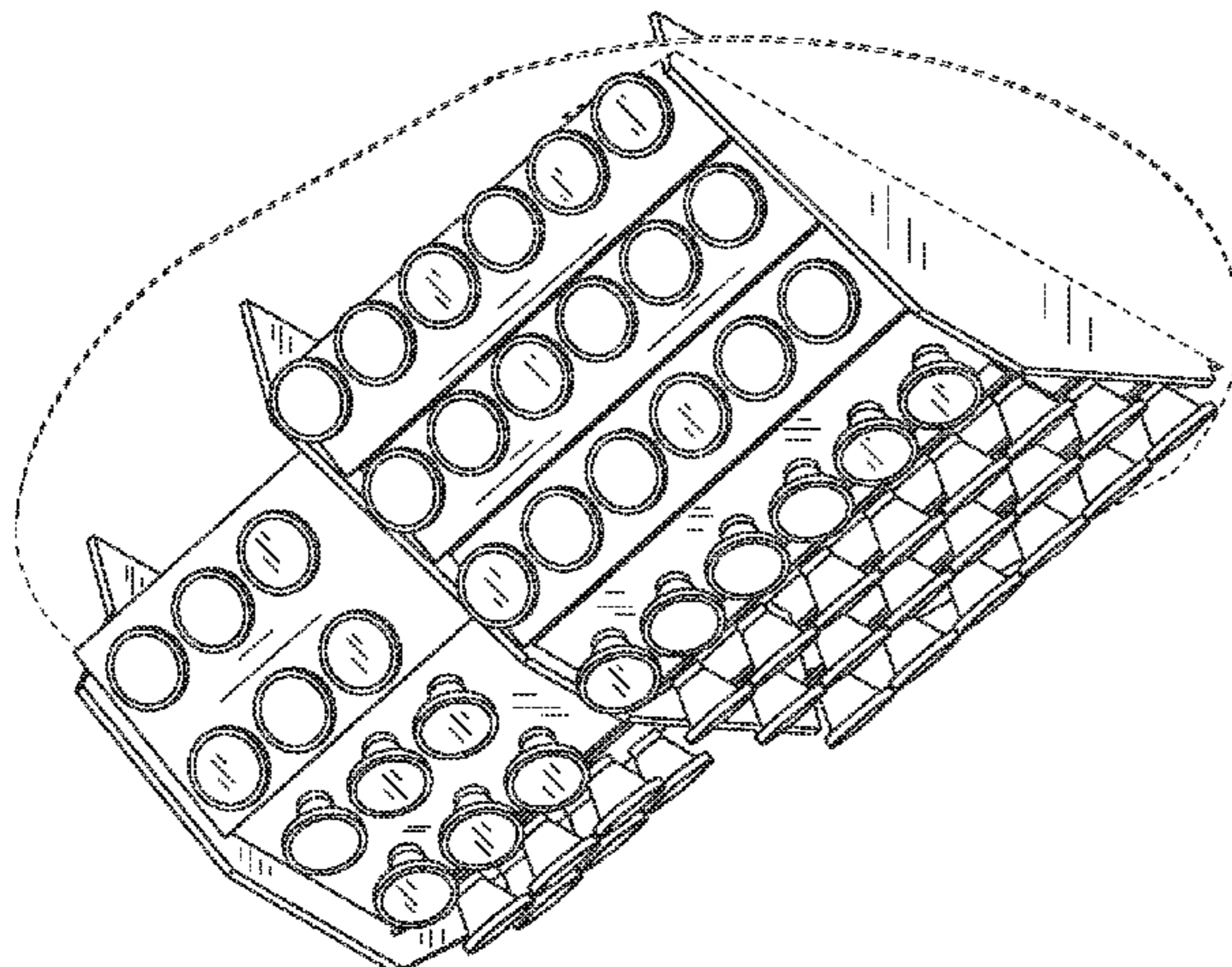
FIG. 7 is a bottom view thereof.

FIG. 8 is a side view of a two-stage LED light module mounted on a street post; and,

FIG. 9 is a perspective view thereof showing the back plate removed for ease of illustration only.

The back plate, street post and the housing (shown in phantom) in the figures do not form part of the design.

**1 Claim, 7 Drawing Sheets**



U.S. PATENT DOCUMENTS

5,151,679 A	9/1992	Dimmick	6,431,728 B1 *	8/2002	Fredericks et al. ....	362/244
5,152,601 A	10/1992	Ferng	6,457,270 B1	10/2002	Stark, III et al.	
5,154,509 A	10/1992	Wulfman et al.	6,457,410 B1	10/2002	Zerillo	
5,160,200 A	11/1992	Cheselske	6,550,949 B1	4/2003	Bauer et al.	
5,160,201 A	11/1992	Wrobel	6,580,228 B1	6/2003	Chen et al.	
5,193,904 A	3/1993	Rist et al.	6,598,996 B1	7/2003	Lodhie	
5,224,773 A	7/1993	Arimura	6,659,622 B2	12/2003	Katogi et al.	
5,237,490 A	8/1993	Ferng	6,659,623 B2	12/2003	Friend	
5,241,457 A	8/1993	Sasajima et al.	6,659,632 B2	12/2003	Chen	
5,303,124 A	4/1994	Wrobel	6,695,460 B1 *	2/2004	Warne .....	362/249.06
5,353,209 A	10/1994	Foottit	6,700,502 B1	3/2004	Pederson	
5,390,092 A	2/1995	Lin	6,722,771 B1	4/2004	Stephens	
D356,876 S *	3/1995	Waldmann .....	6,768,047 B2	7/2004	Chang et al.	
		D26/107	6,773,148 B2 *	8/2004	Kasboske .....	362/493
5,400,288 A	3/1995	Kao	6,814,459 B2	11/2004	Pederson	
5,410,453 A	4/1995	Ruskouski	6,908,214 B2 *	6/2005	Luk .....	362/249.02
5,453,729 A	9/1995	Chu	6,942,361 B1	9/2005	Kishimura et al.	
5,526,236 A	6/1996	Burnes et al.	7,063,451 B2	6/2006	Shen	
5,567,036 A	10/1996	Theobald et al.	7,111,957 B2	9/2006	Bernhart et al.	
5,577,832 A	11/1996	Lodhie	7,234,832 B2	6/2007	Lippis et al.	
5,585,783 A	12/1996	Hall	7,237,932 B2	7/2007	Ter-Hovhannissian	
5,588,740 A	12/1996	Kasuga	D558,909 S *	1/2008	Ertze Encinas et al. ....	D26/71
5,599,086 A	2/1997	Dutta	D578,697 S *	10/2008	Zheng et al. ....	D26/71
5,629,607 A	5/1997	Callahan et al.	D599,942 S *	9/2009	Zheng .....	D26/71
5,647,658 A	7/1997	Ziadi	D600,847 S *	9/2009	Wung et al. ....	D26/71
5,661,374 A	8/1997	Cassidy et al.	D601,292 S *	9/2009	Yan et al. ....	D26/71
5,661,645 A	8/1997	Hochstein	2002/0163805 A1	11/2002	Hubbell et al.	
D385,051 S	10/1997	Wu	2002/0171543 A1	11/2002	Abbe et al.	
5,702,177 A	12/1997	Lin	2002/0196707 A1	12/2002	Kitchin et al.	
D388,726 S	1/1998	Wu	2003/0095404 A1	5/2003	Becks et al.	
5,710,560 A	1/1998	Cohn	2003/0102810 A1	6/2003	Cross et al.	
5,765,940 A	6/1998	Levy et al.	2004/0012959 A1	1/2004	Robertson et al.	
5,772,315 A	6/1998	Shen	2004/0062041 A1	4/2004	Cross et al.	
5,793,164 A	8/1998	Authier	2006/0109661 A1	5/2006	Coushaine et al.	
5,803,585 A	9/1998	Littman et al.	2006/0215416 A1 *	9/2006	Lucas et al. ....	362/545
5,806,965 A	9/1998	Deese	2007/0139930 A1 *	6/2007	Spivak .....	362/294
D402,772 S	12/1998	Lodhie	2007/0230184 A1 *	10/2007	Shuy .....	362/294
5,842,297 A	12/1998	Tung	2009/0141494 A1 *	6/2009	Zhang et al. ....	362/249.03
D404,506 S	1/1999	Lodhie	2009/0185374 A1 *	7/2009	Wu et al. ....	362/249.06
5,855,268 A	1/1999	Zoladz, Jr.				
D405,201 S	2/1999	Lodhie				
5,887,968 A	3/1999	Logan				
5,921,660 A	7/1999	Yu				
5,929,788 A	7/1999	Vukosic				
5,947,588 A	9/1999	Huang				
5,964,051 A	10/1999	Loeber et al.				
5,984,494 A	11/1999	Chapman et al.				
6,011,493 A	1/2000	Bushell et al.				
6,013,985 A	1/2000	Green et al.				
D434,510 S	11/2000	Lodhie				
6,152,568 A	11/2000	Baba et al.				
6,220,722 B1	4/2001	Begemann				
6,227,679 B1	5/2001	Zhang et al.				
6,234,648 B1	5/2001	Borner et al.				
6,283,612 B1	9/2001	Hunter				
6,336,613 B1	1/2002	Roth				
6,345,902 B2	2/2002	Ohkohdo et al.				
6,371,636 B1	4/2002	Wesson				

OTHER PUBLICATIONS

U.S. Appl. No. 29/302,219 filed Jan. 11, 2008, Lodhie.  
 U.S. Appl. No. (Divisional) 29/322,471, filed Aug. 5, 2008, Lodhie.  
 U.S. Appl. No. (Divisional) 29/323,210, filed Aug. 20, 2008, Lodhie.  
 U.S. Appl. No. (Divisional) 29/324,267, filed Sep. 9, 2008, Lodhie.  
 U.S. Appl. No. 11/924,496, filed Oct. 25, 2007, Lodhie.  
 U.S. Appl. No. 29/302,184, filed Jan. 11, 2008, Lodhie.  
 U.S. Appl. No. 12/137,337, filed Jun. 11, 2008, Lodhie.  
 U.S. Appl. No. 29/318,602, filed Jun. 10, 2008, Lodhie.  
 U.S. Appl. No. 29/318,604, filed Jun. 10, 2008, Lodhie.  
 Four (4) photographs of an LED light fixture that is commercially available.  
 LED light fixtures available on the following website: [www.hollysolar.com](http://www.hollysolar.com).  
 LED light fixtures available on the following website: [www.geblighting.com](http://www.geblighting.com).

\* cited by examiner

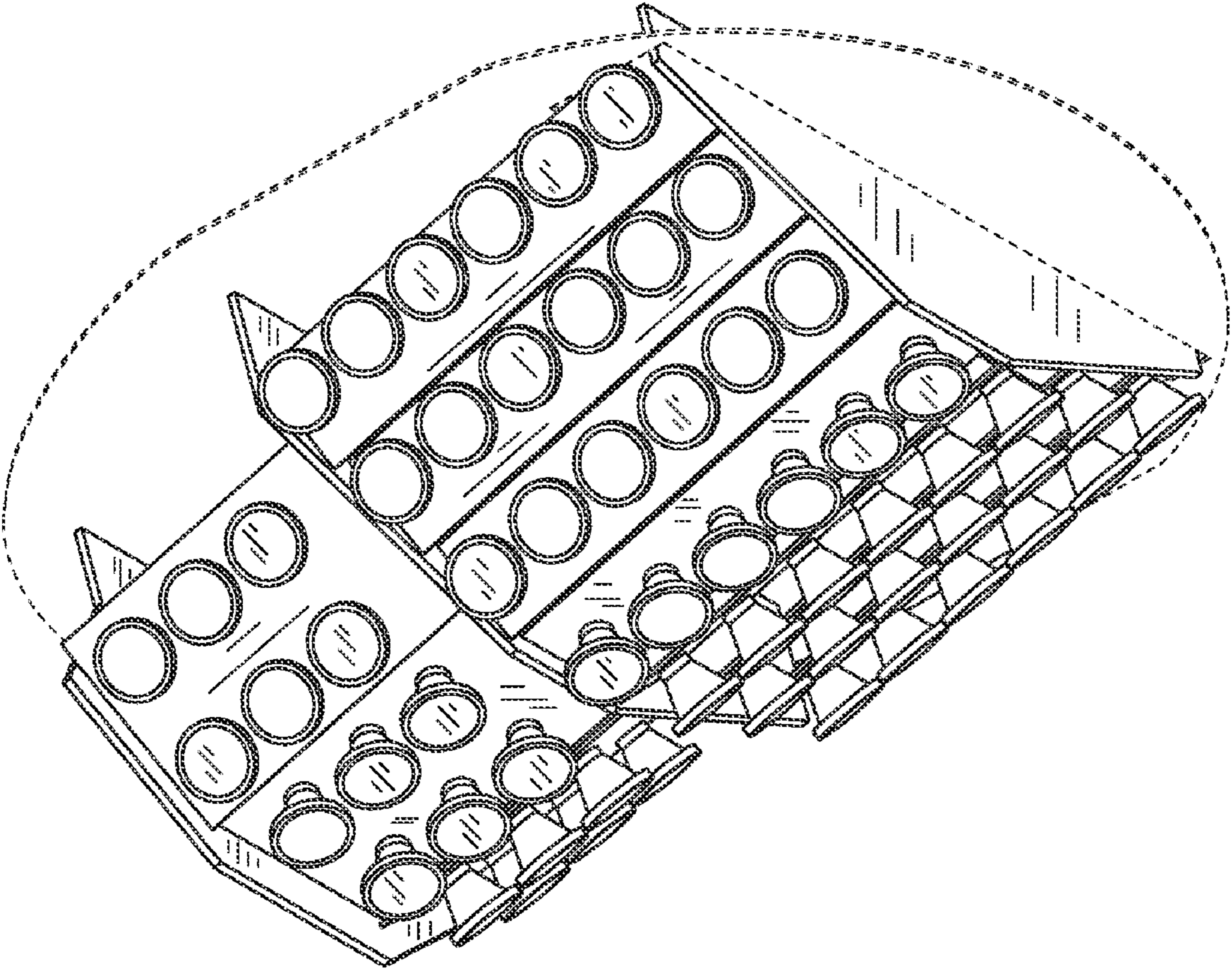


FIG. 1

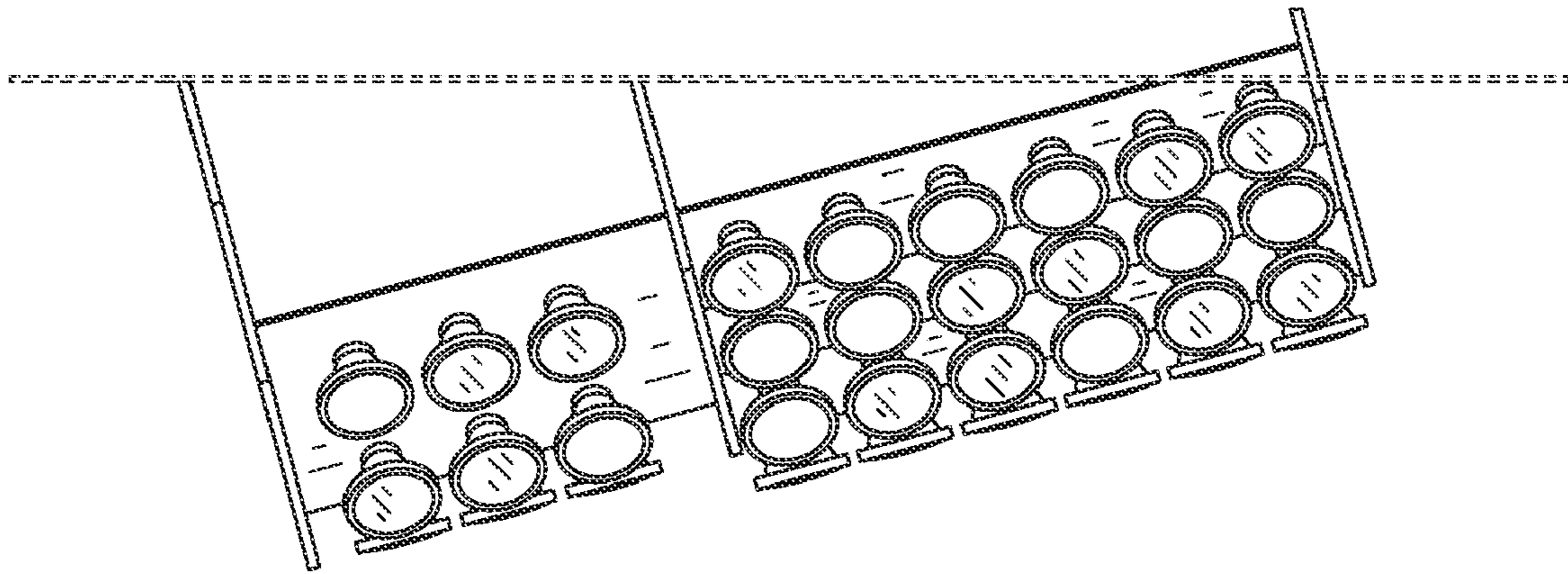


FIG. 2

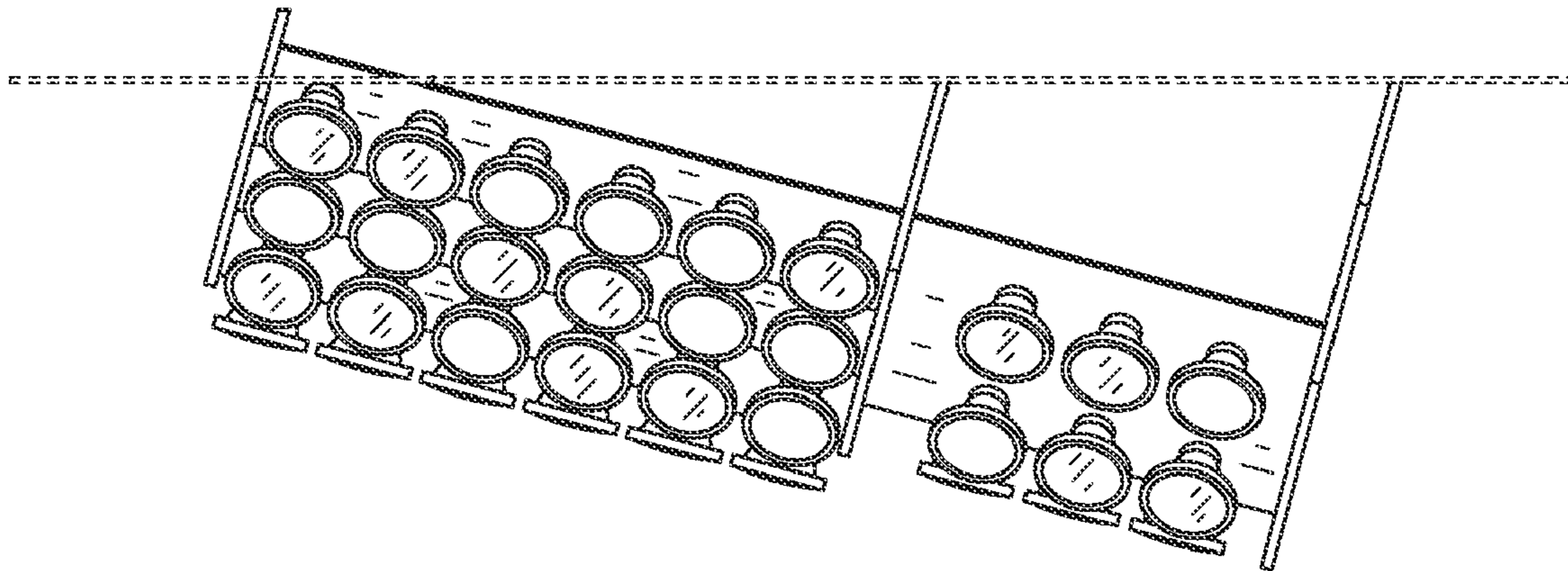


FIG. 3

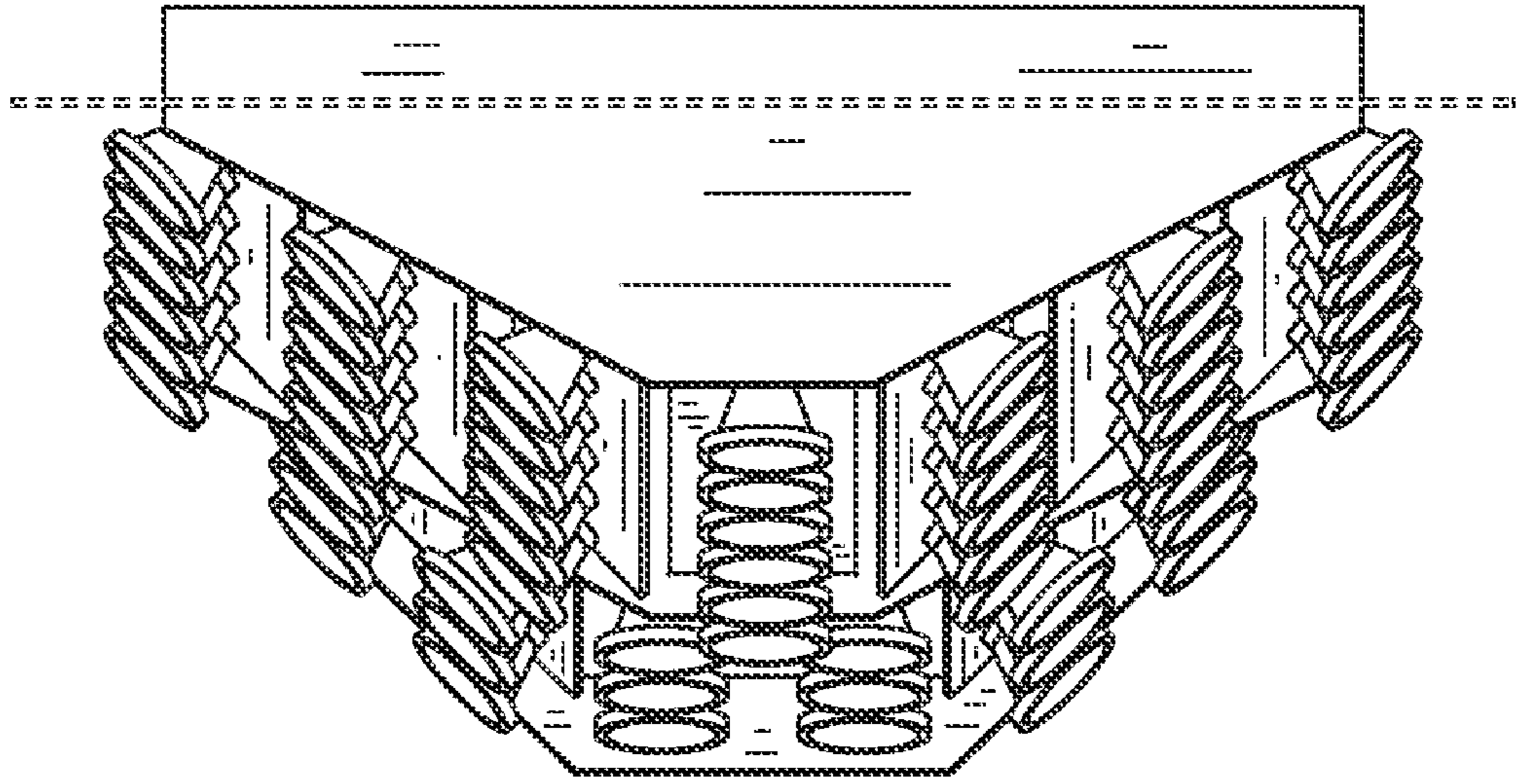


FIG. 4

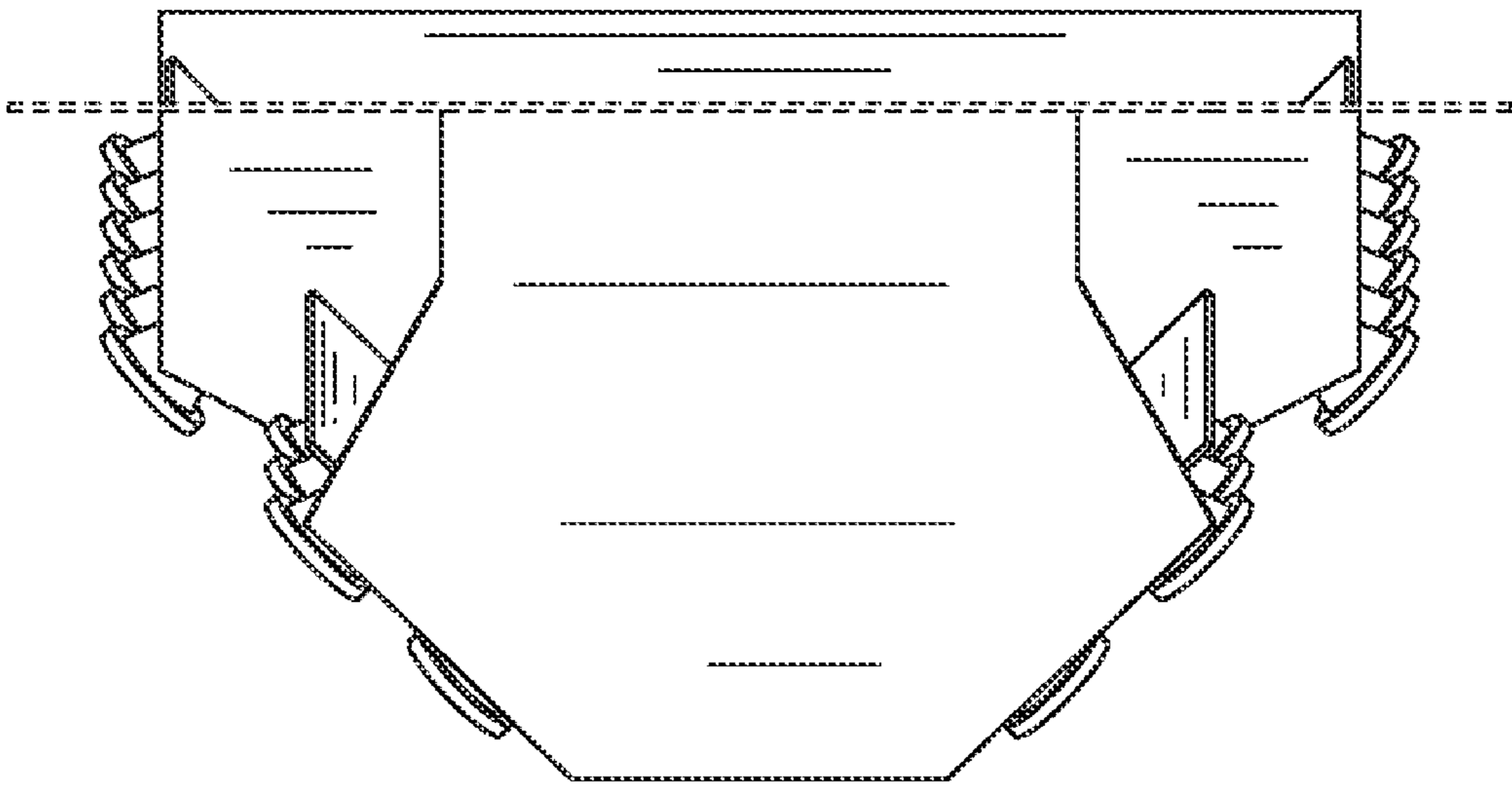


FIG. 5

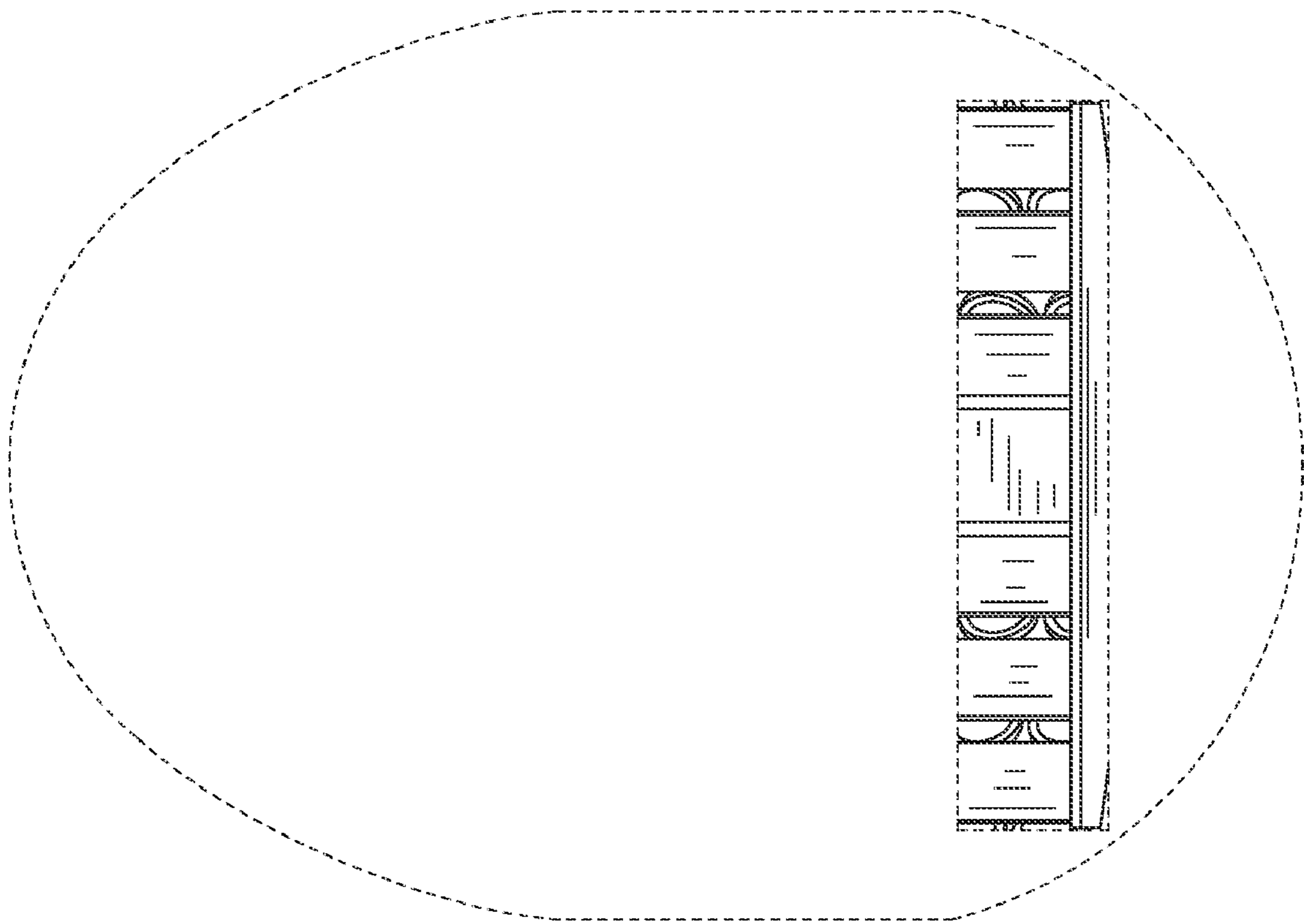


FIG. 6

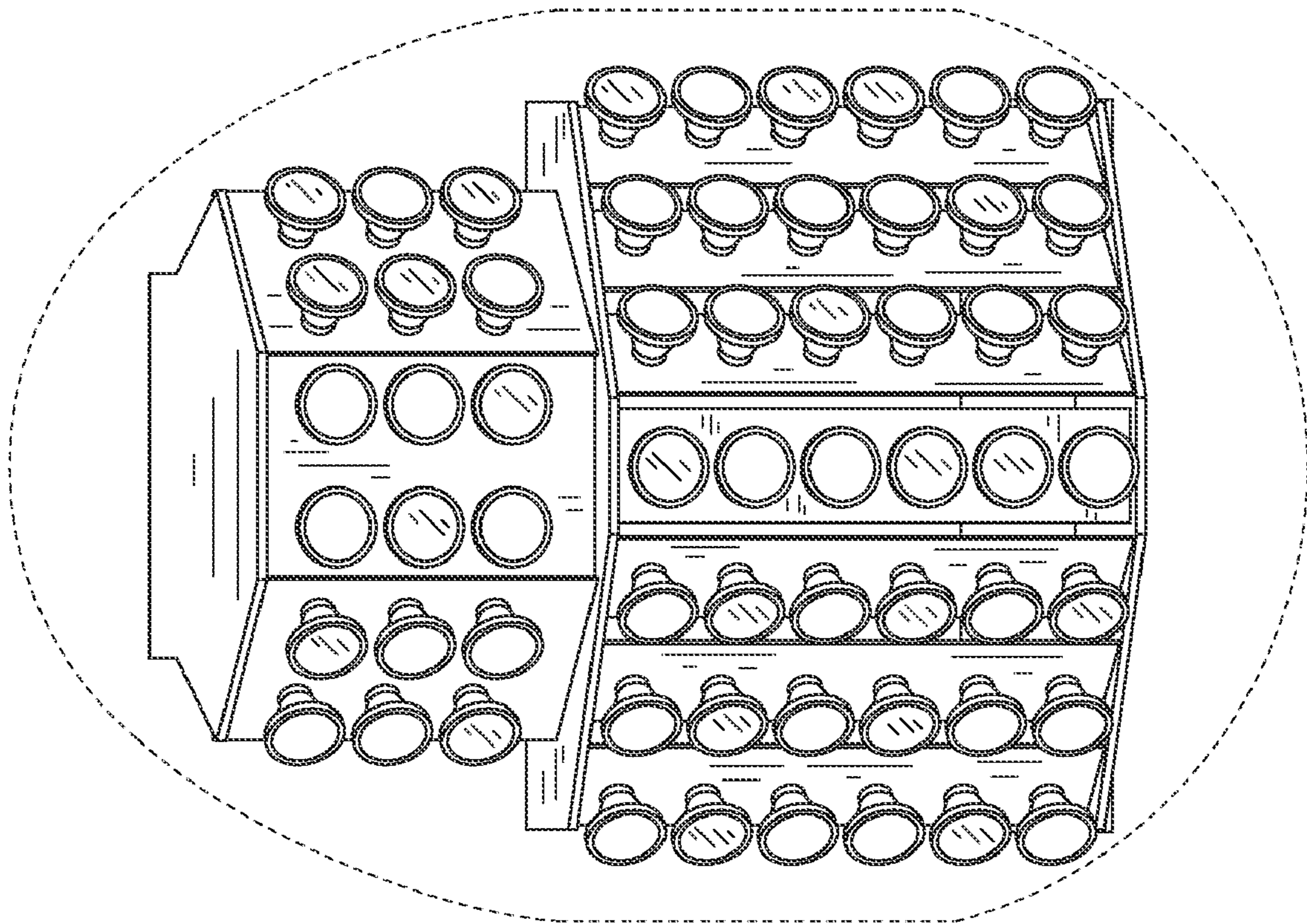


FIG.7

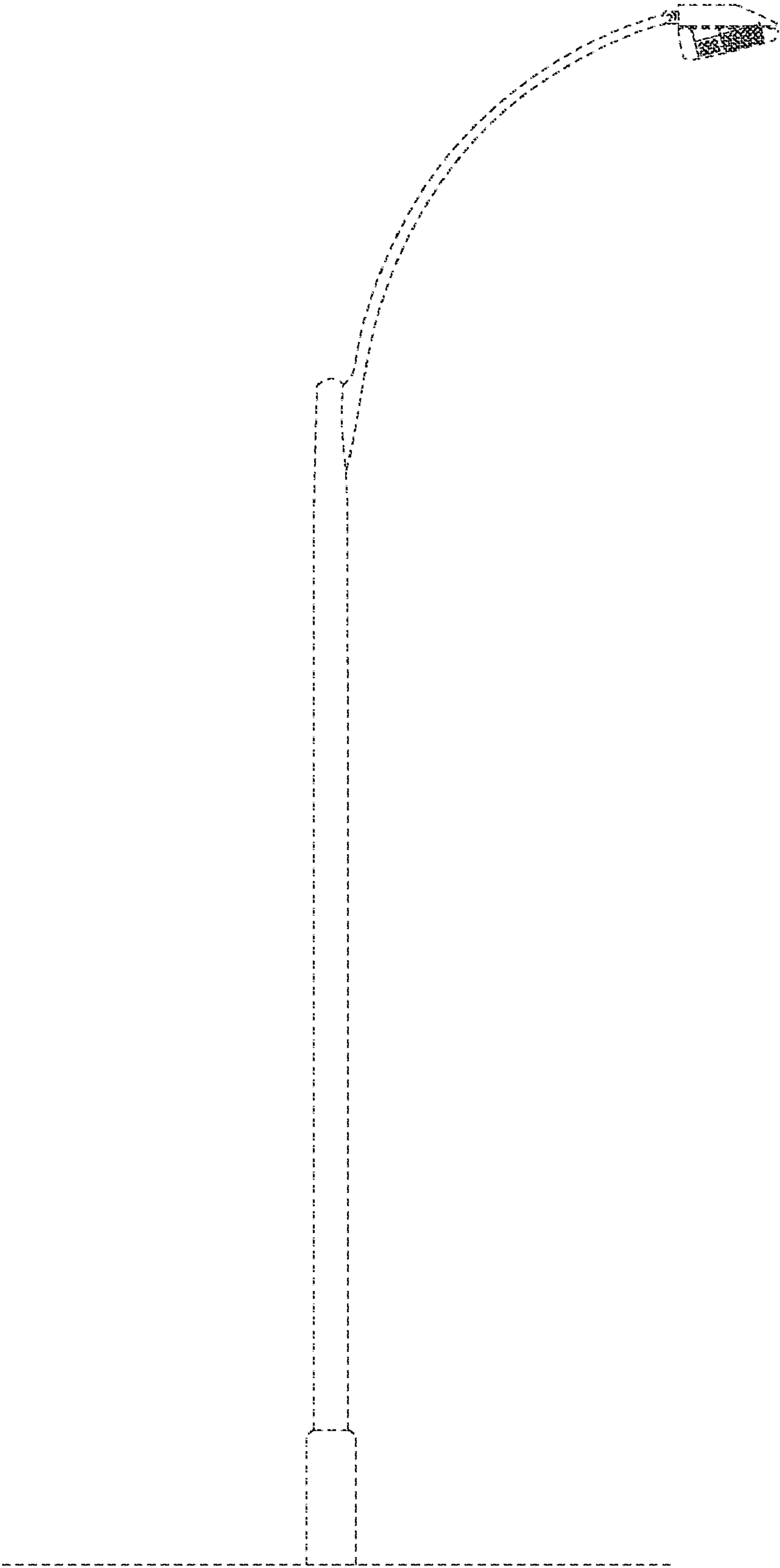


FIG. 8



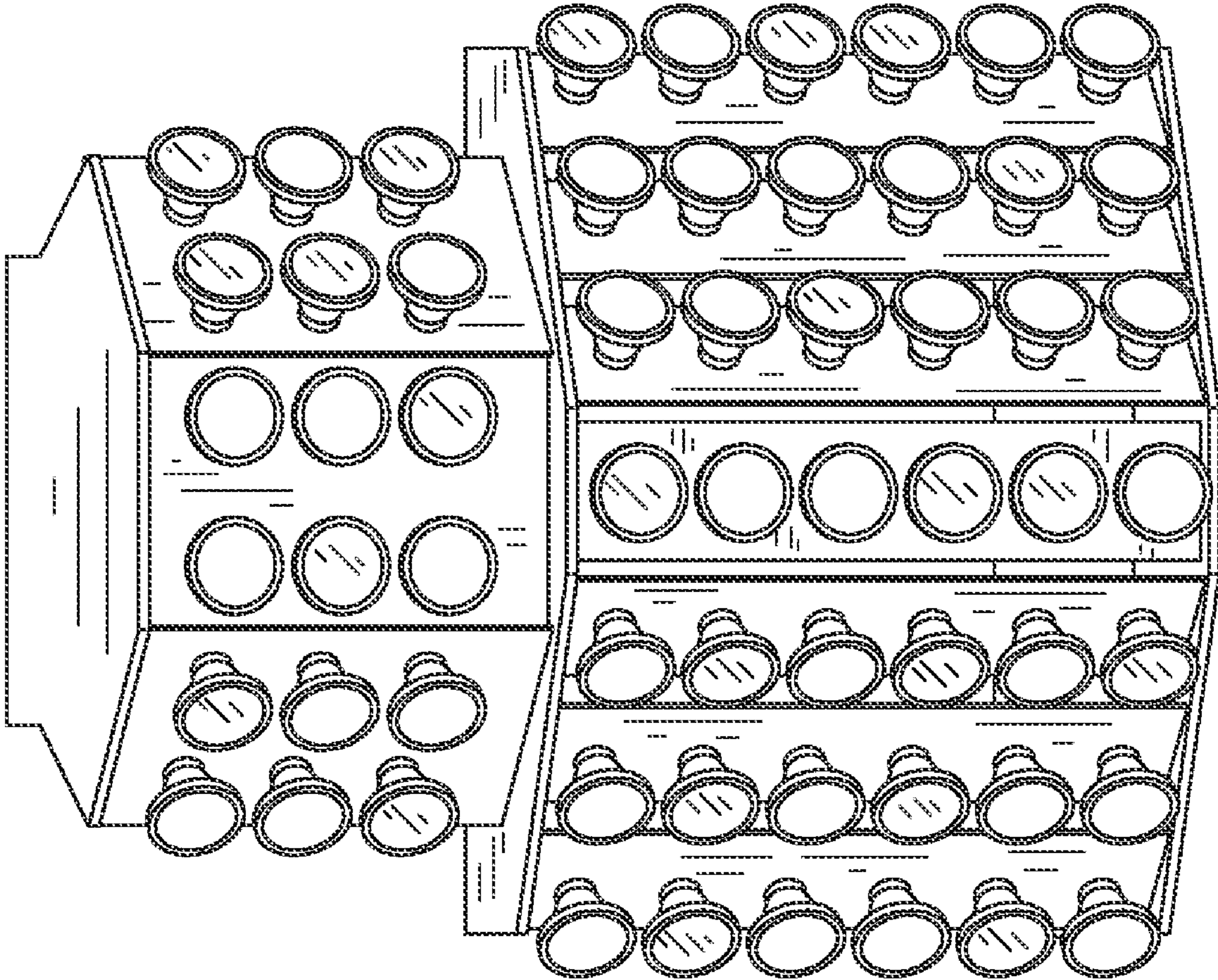


FIG. 9