



US00D630371S

(12) **United States Design Patent**
Bryant

(10) **Patent No.:** **US D630,371 S**
(45) **Date of Patent:** **** Jan. 4, 2011**

(54) **BUBBLE GUM MACHINE LAMP**

(76) Inventor: **Charles Bryant**, 110 NW. 4th St., B5,
Warrenton, OR (US) 97146

(**) Term: **14 Years**

(21) Appl. No.: **29/353,653**

(22) Filed: **Jan. 12, 2010**

(51) **LOC (9) Cl.** **26-03**

(52) **U.S. Cl.** **D26/94**

(58) **Field of Classification Search** D26/1,
D26/24, 67, 93-94, 104-110; 362/3, 153,
362/186, 217, 255, 257, 277, 317, 351, 353,
362/362, 363, 382, 431, 433, 458, 806; D6/552;
D20/7; 194/255

See application file for complete search history.

(56) **References Cited**

U.S. PATENT DOCUMENTS

D39,257 S *	4/1908	Davis	D20/7
1,842,243 A	1/1932	Boyer		
D93,258 S	9/1934	Vogel		
D97,425 S *	11/1935	Witte	D20/7
D282,857 S	3/1986	Schwarzli		
D302,081 S	7/1989	Elliott		
5,452,822 A	9/1995	Haymond		
5,911,299 A	6/1999	Aspnes et al.		
6,336,735 B1	1/2002	Eddins		

D467,678 S *	12/2002	Chou et al.	D26/94
D540,875 S *	4/2007	Placencia	D20/7
D558,370 S *	12/2007	Mohammed	D26/53
D594,589 S *	6/2009	Castagna	D26/94
D601,294 S *	9/2009	Leon	D26/94

* cited by examiner

Primary Examiner—Brian N Vinson

(74) *Attorney, Agent, or Firm*—Montgomery Patent and Design; Joseph T. Yaksich; Robert C. Montgomery

(57) **CLAIM**

The ornamental design for a bubble gum machine lamp, as shown and described.

DESCRIPTION

FIG. 1 is a front view of a bubble gum machine lamp, showing my new design;

FIG. 2 is a rear elevational view thereof;

FIG. 3 is a right side elevational view thereof;

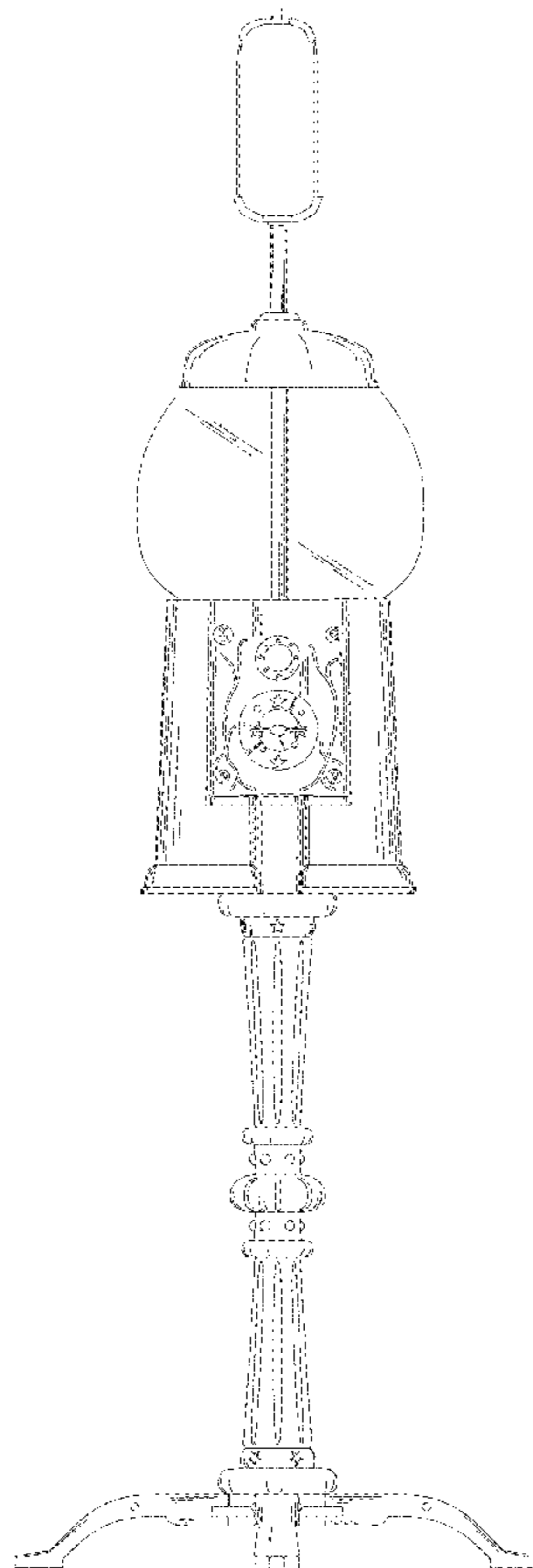
FIG. 4 is a left side elevational view thereof;

FIG. 5 is an enlarged top plan view thereof;

FIG. 6 is an enlarged bottom plan view thereof; and,

FIG. 7 is a fragmentary enlarged front elevational view thereof, showing the faceplate portion thereof with the remaining parts omitted for clarity of illustration.

1 Claim, 7 Drawing Sheets



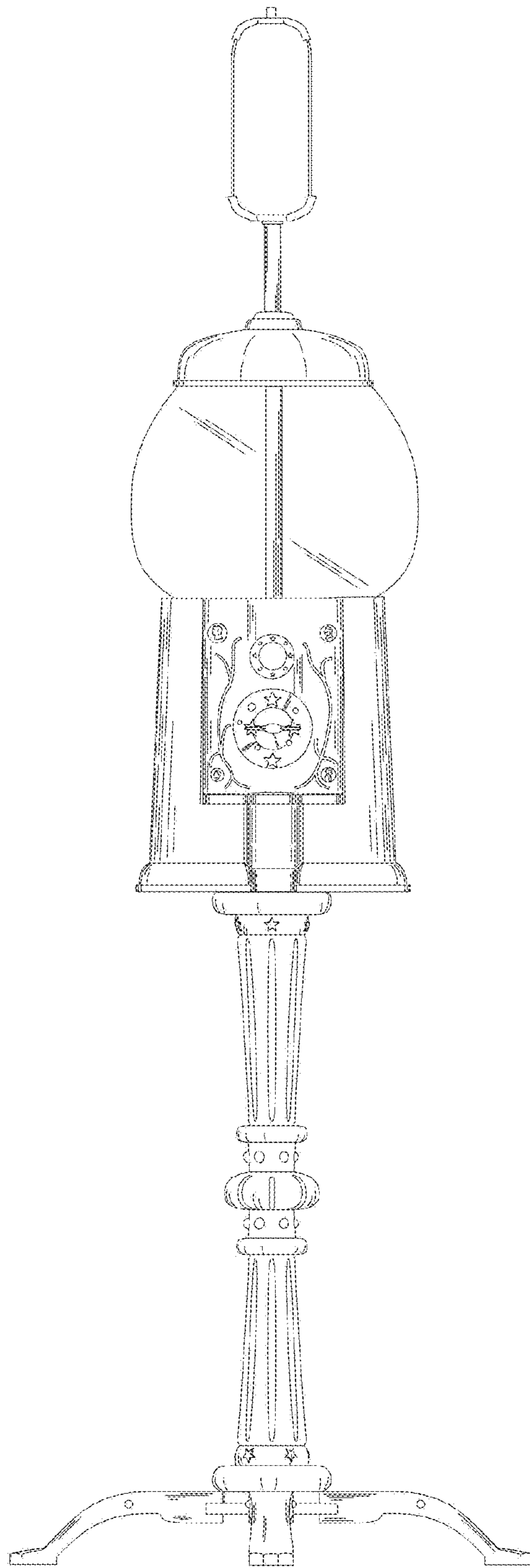


Fig. 1

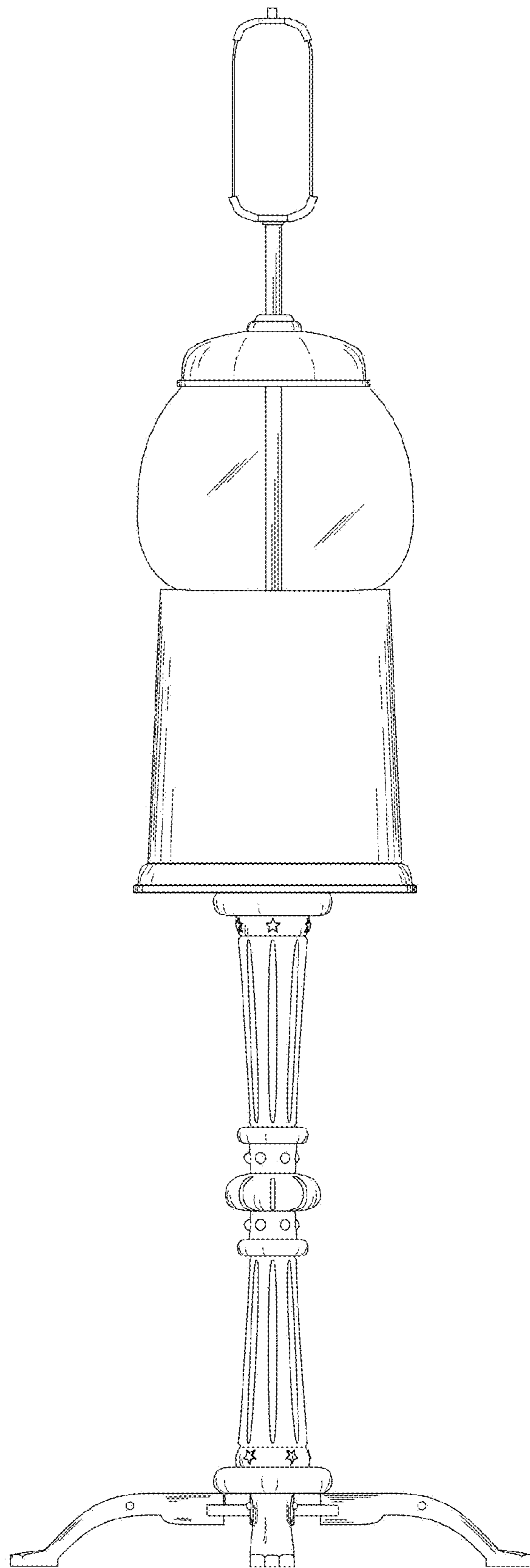


Fig. 2

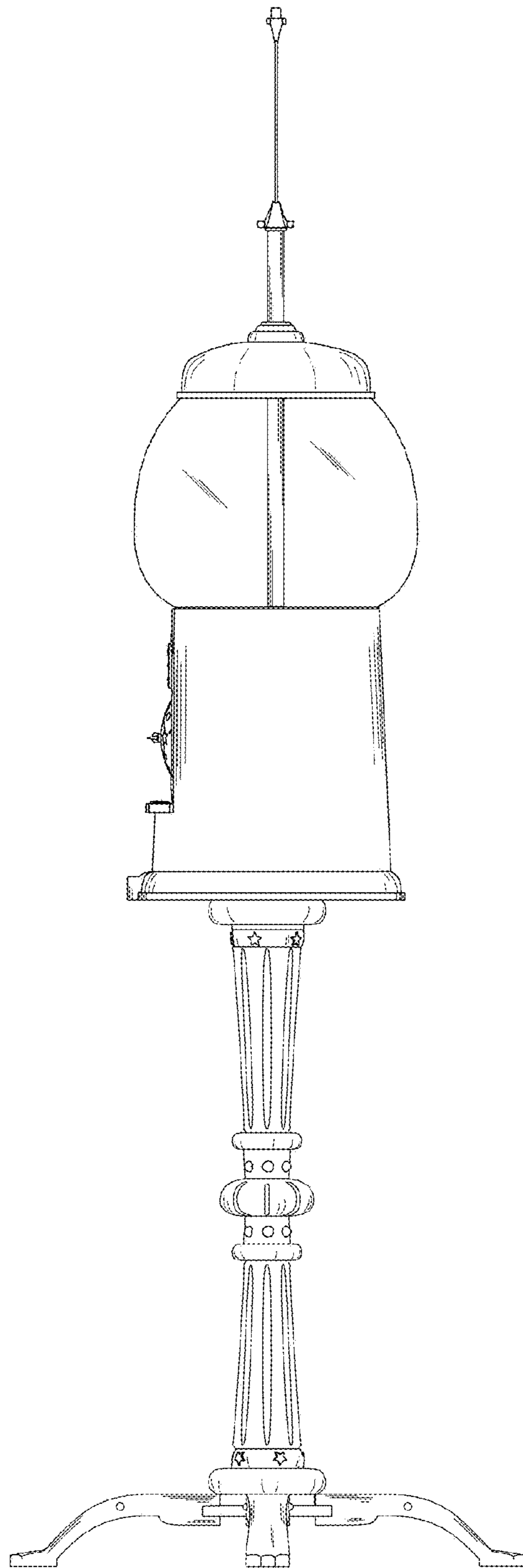


Fig. 3

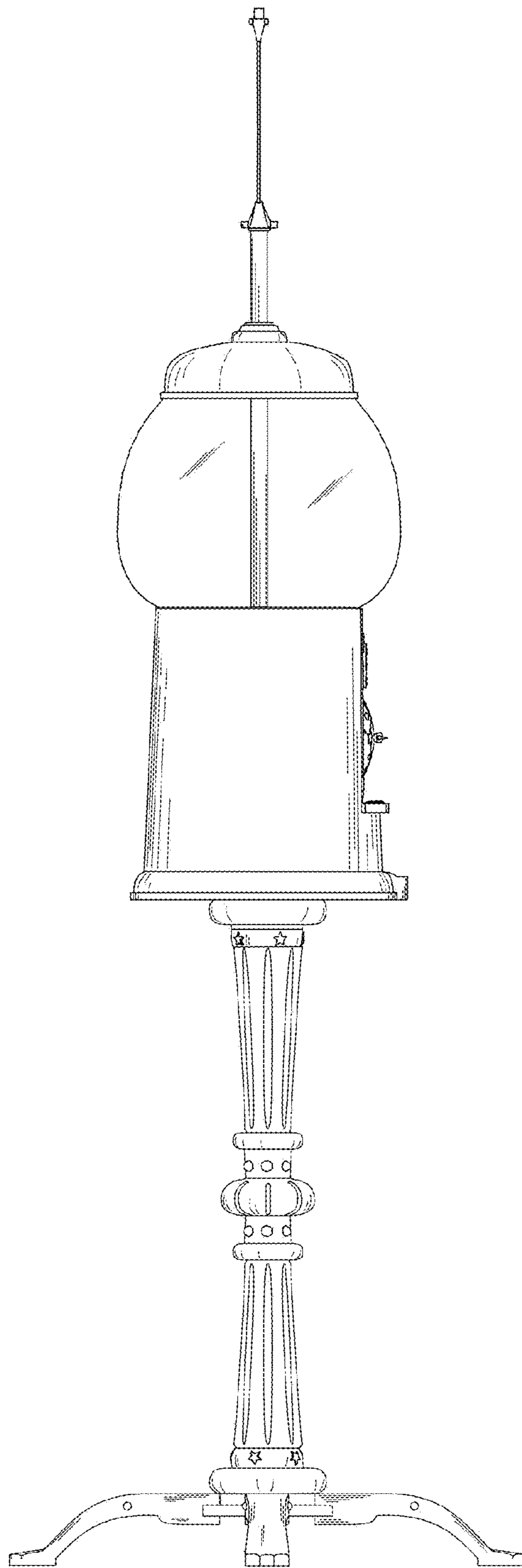


Fig. 4

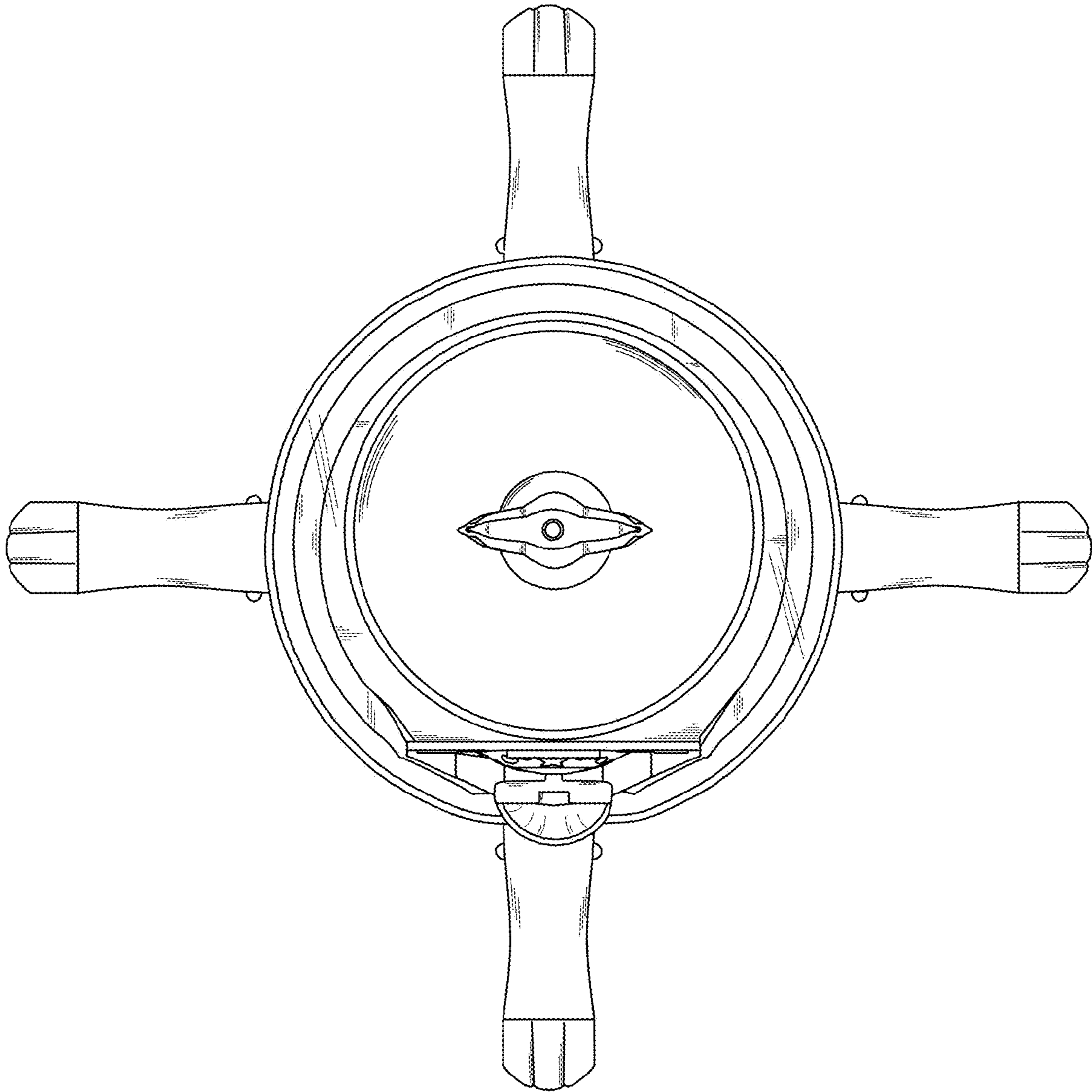


Fig. 5

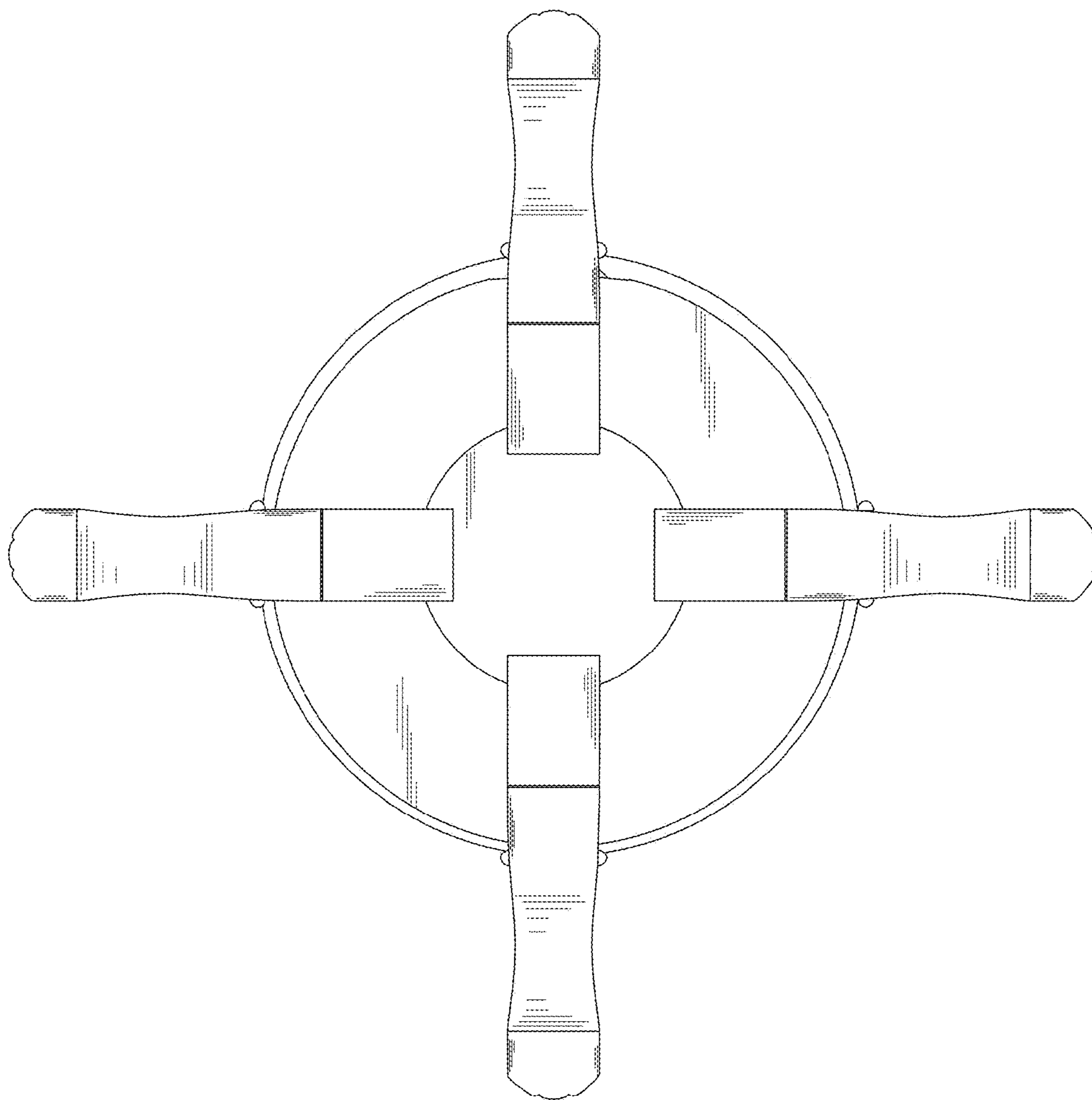


Fig. 6

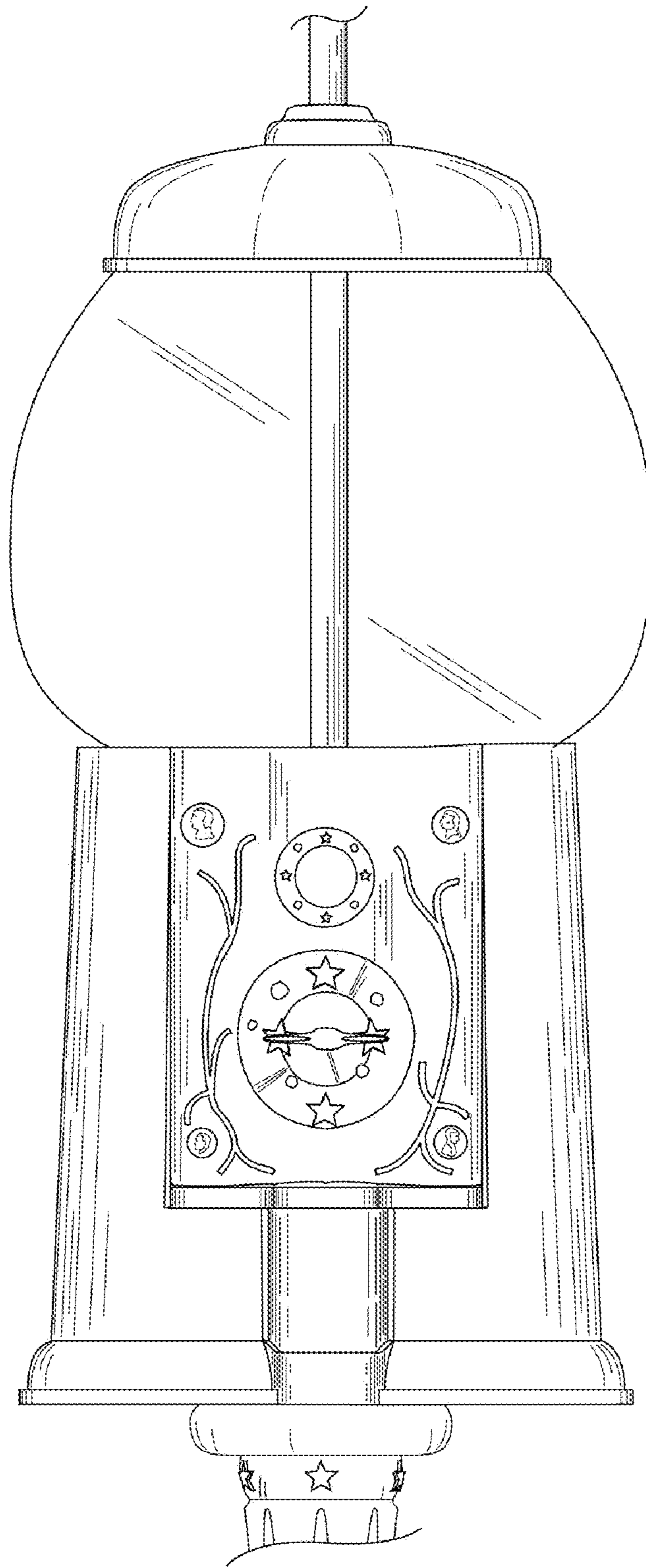


Fig. 7