



US00D630368S

(12) **United States Design Patent**
de Rijck

(10) **Patent No.:** **US D630,368 S**

(45) **Date of Patent:** **** Jan. 4, 2011**

(54) **LUMINAIRE**

D583,981 S * 12/2008 Meyer et al. D26/89
D583,982 S * 12/2008 Meyer et al. D26/89

(75) Inventor: **Roel de Rijck**, St. Amandsberg (BE)

OTHER PUBLICATIONS

(73) Assignee: **Koninklijke Philips Electronics N.V.**,
Eindhoven (NL)

Illuminaire Collection 9" Wide LED Ceiling Light Fixture found at eurostylelighting.com, visited Aug. 5, 2010.*

(**) Term: **14 Years**

Murray-Feiss Casual Luxury 13" Wide Semi-Flush Ceiling Light found at eurostylelighting.com; visited Aug. 5, 2010.*

(21) Appl. No.: **29/350,836**

Energy Efficient White Fabric 14" wide Ceiling Light #EU01354 found at eurostylelighting.com, visited on Aug. 5, 2010.*

(22) Filed: **Nov. 24, 2009**

1.) Stone flushmount #E22163-01 on p. 108; and 2.) Vision flushmount #E2201-09 on p. 158/ Both from the ET2 2007 Lighting Catalog.(3 pages).*

(30) **Foreign Application Priority Data**

* cited by examiner

May 26, 2009 (EM) 001139984-0006

Primary Examiner—Clare E Heflin

(51) **LOC (9) Cl.** **26-03**

(57) **CLAIM**

(52) **U.S. Cl.** **D26/89**

(58) **Field of Classification Search** D26/59,
D26/74, 85, 88, 89, 91, 128, 131–134; D23/377;
362/147, 404–408, 347–351, 361, 453–456
See application file for complete search history.

The ornamental design for a luminaire, as shown.

DESCRIPTION

(56) **References Cited**

FIG. 1 is a perspective view showing my design;

U.S. PATENT DOCUMENTS

FIG. 2 is a front elevational view thereof;

- D60,332 S * 2/1922 Gillinder D26/132
- D213,464 S * 3/1969 Meyer D26/89
- D424,188 S * 5/2000 Liu D23/377
- D490,183 S * 5/2004 Benensohn D26/89
- 6,814,471 B1 * 11/2004 Stoner 362/364
- D547,483 S * 7/2007 Pickett D26/89
- D549,385 S * 8/2007 Lissoni D26/89

FIG. 3 is a rear elevational view thereof;

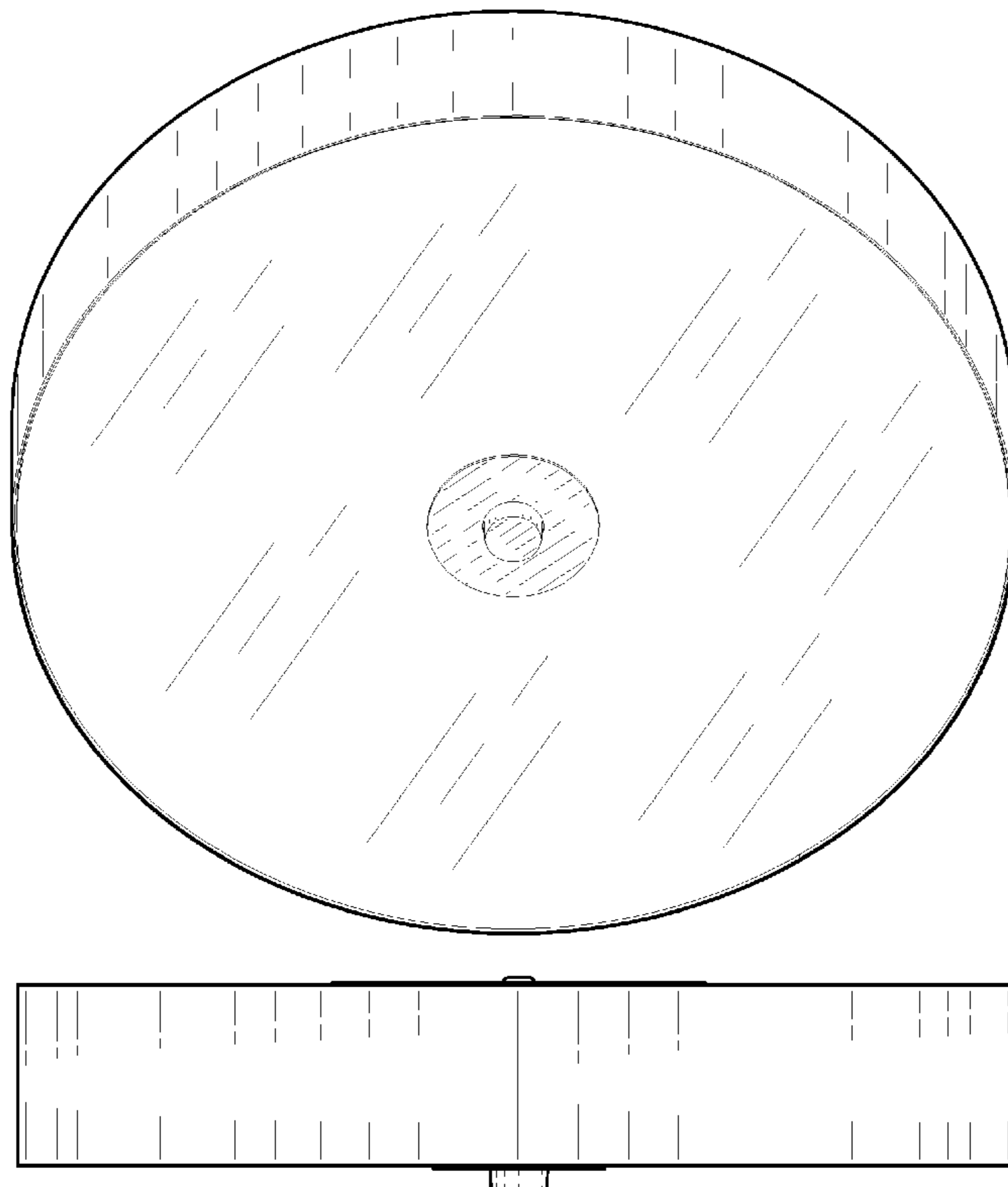
FIG. 4 is a right side elevational view thereof;

FIG. 5 is a left side elevational view thereof;

FIG. 6 is a top plan view thereof; and,

FIG. 7 is a bottom plan view thereof.

1 Claim, 4 Drawing Sheets



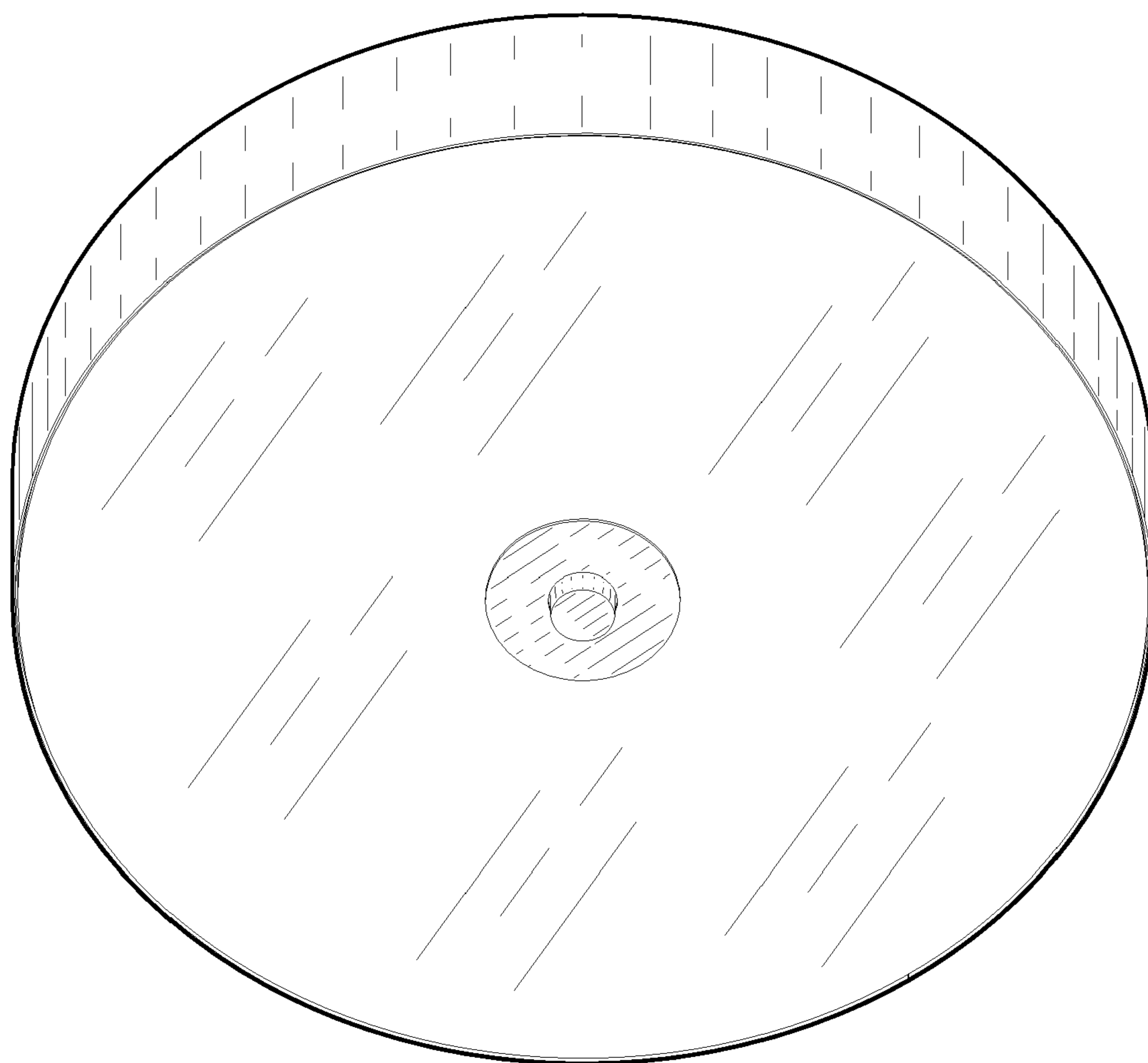


FIG. 1

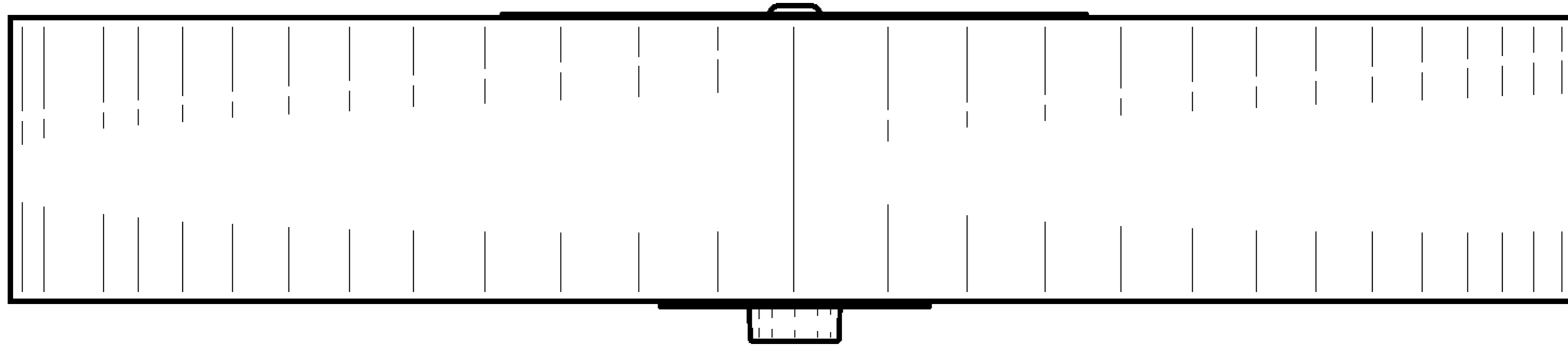


FIG. 2

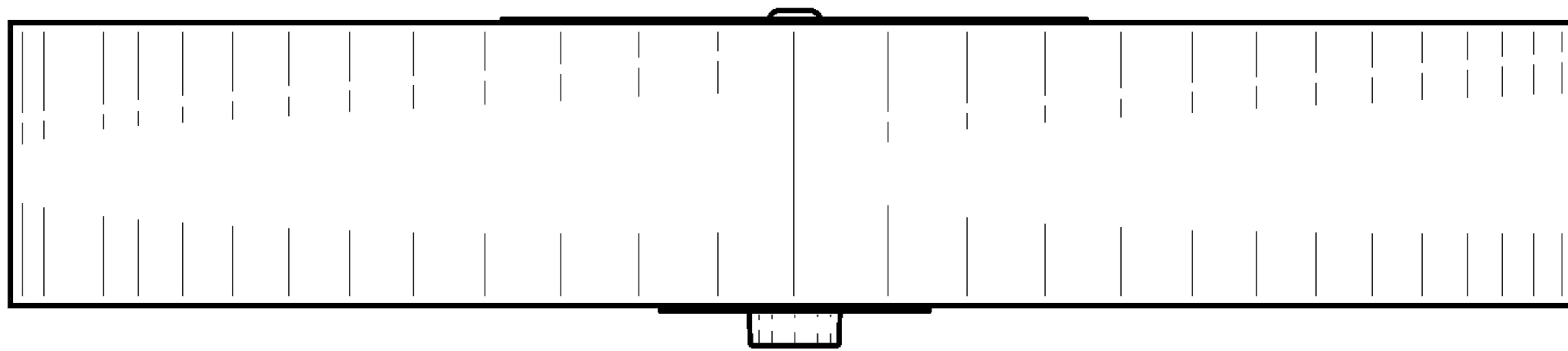


FIG. 3

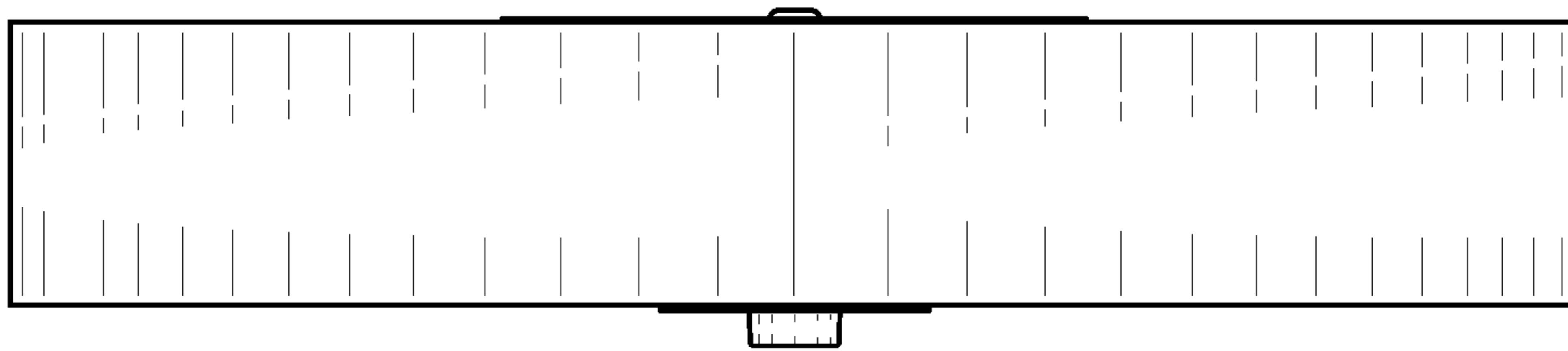


FIG. 4

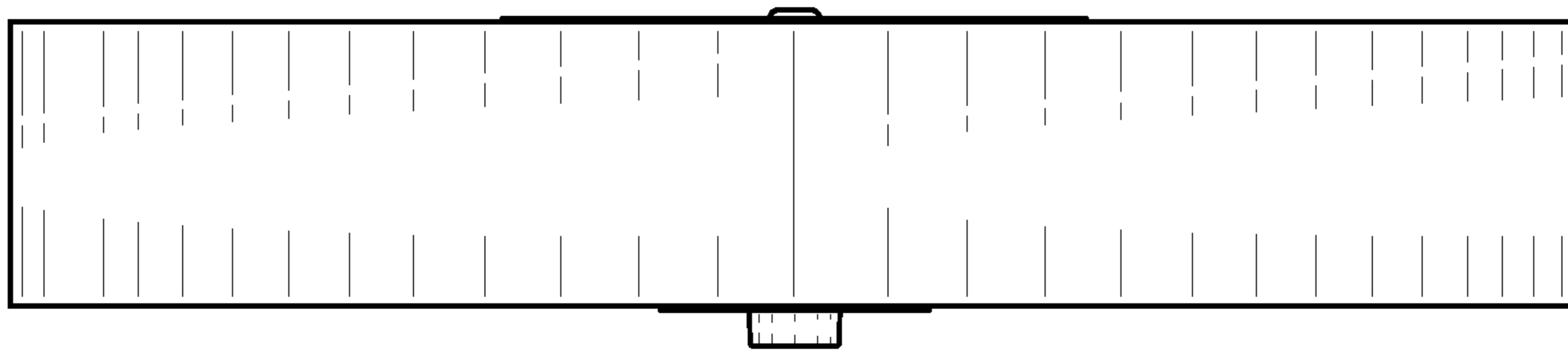


FIG. 5

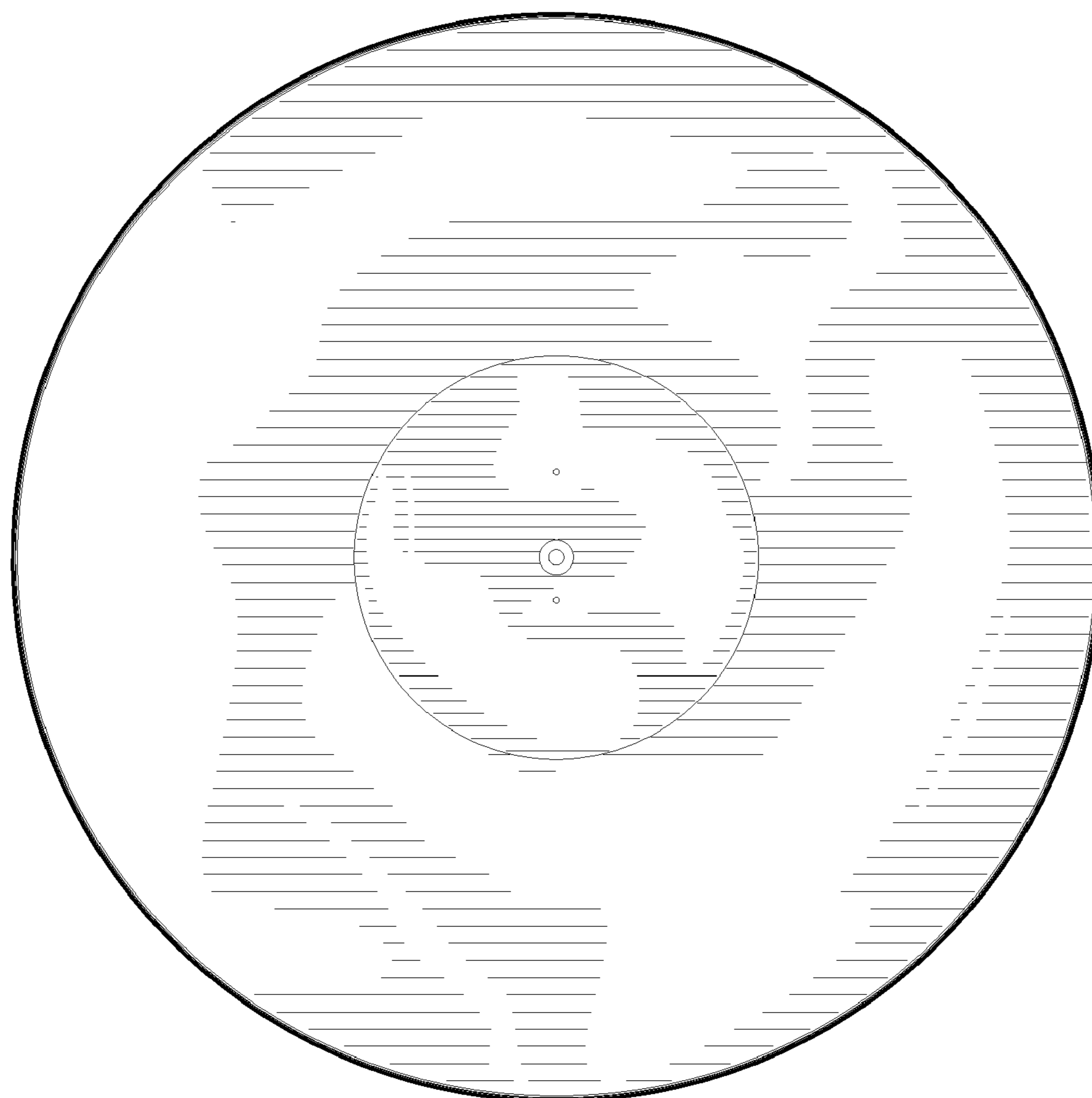


FIG. 6



FIG. 7