



US00D630366S

(12) **United States Design Patent**
Beach, Jr. et al.

(10) **Patent No.:** **US D630,366 S**

(45) **Date of Patent:** **** *Jan. 4, 2011**

(54) **WALL MOUNTED LUMINAIRE**

(75) Inventors: **Max Richard Beach, Jr.**, Venice, CA (US); **Clint Michael Woesner**, Venice, CA (US); **Jesus Francisco Galaz**, Venice, CA (US)

(73) Assignee: **Hampton Products International Corporation**, Foothill Ranch, CA (US)

(*) Notice: This patent is subject to a terminal disclaimer.

(**) Term: **14 Years**

(21) Appl. No.: **29/348,515**

(22) Filed: **Jan. 14, 2010**

(51) **LOC (9) Cl.** **26-03**

(52) **U.S. Cl.** **D26/85**

(58) **Field of Classification Search** D26/83,
D26/85-92, 120; 362/147, 404-408, 431,
362/432

See application file for complete search history.

(56) **References Cited**

U.S. PATENT DOCUMENTS

D222,117 S *	9/1971	Batz	D25/102
D309,791 S *	8/1990	Bocato et al.	D26/85
D380,572 S *	7/1997	Bodell et al.	D26/85
D456,930 S *	5/2002	Russello et al.	D26/85
D459,519 S *	6/2002	Russello et al.	D26/85
D468,046 S *	12/2002	Bernard et al.	D26/85
D503,822 S *	4/2005	Monroe et al.	D26/85
D552,292 S *	10/2007	Martineau	D26/85
D578,702 S *	10/2008	Campagna	D26/85

D589,196 S *	3/2009	Stone et al.	D26/72
D592,784 S *	5/2009	van den Dool	D26/75

OTHER PUBLICATIONS

Lithonia Lighting wall pack model TWL shown on p. 407 of the Acuity Brands Lighting Catalog © 2006. (2 pages).*

* cited by examiner

Primary Examiner—Clare E Heflin

(57) **CLAIM**

What is claimed is the ornamental design for wall mounted luminaire, as shown and described.

DESCRIPTION

FIG. 1 is a top front perspective view of the wall mounted luminaire design of the present invention;

FIG. 2 is a front view of the wall mounted luminaire design of FIG. 1;

FIG. 3 is a left side view of the wall mounted luminaire design of FIG. 1;

FIG. 4 is a right side view of the wall mounted luminaire design of FIG. 1;

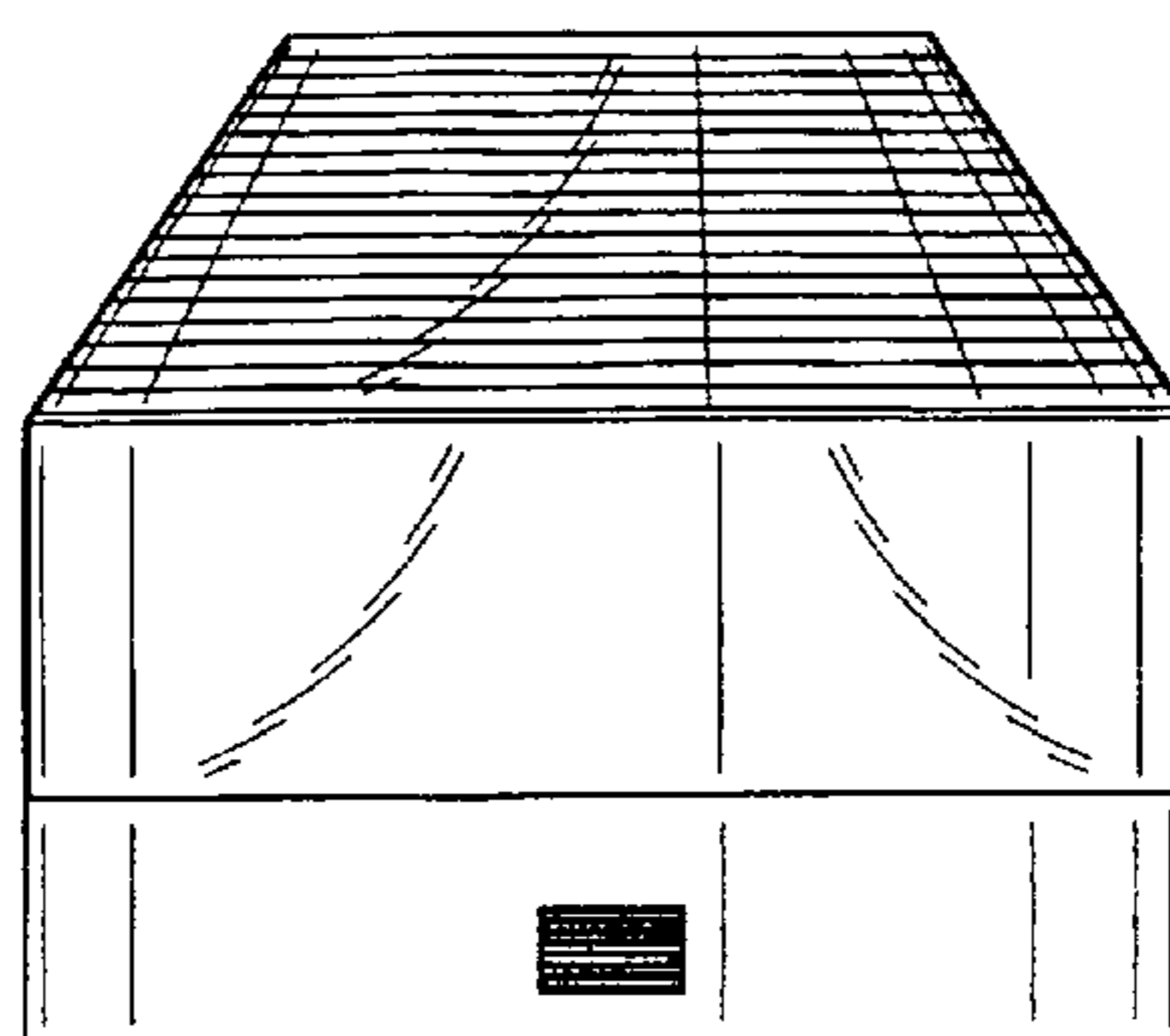
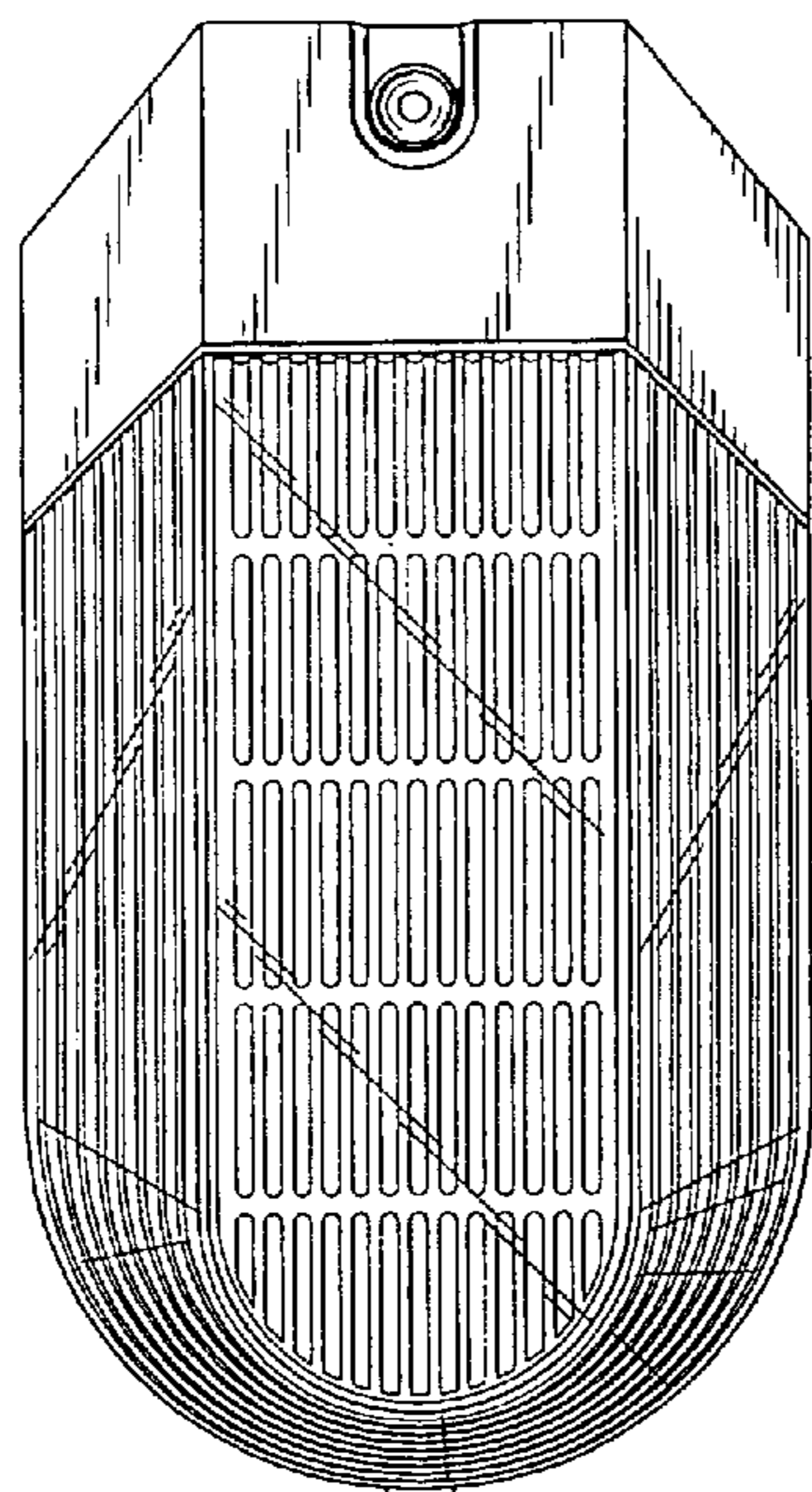
FIG. 5 is a top view of the wall mounted luminaire design of FIG. 1;

FIG. 6 is a bottom view of the wall mounted luminaire design of FIG. 1; and,

FIG. 7 is a back view of the wall mounted luminaire design of FIG. 1.

The portions of the figures shown in broken lines are environmental structure and form no part of the inventive design of the wall mounted design.

1 Claim, 3 Drawing Sheets



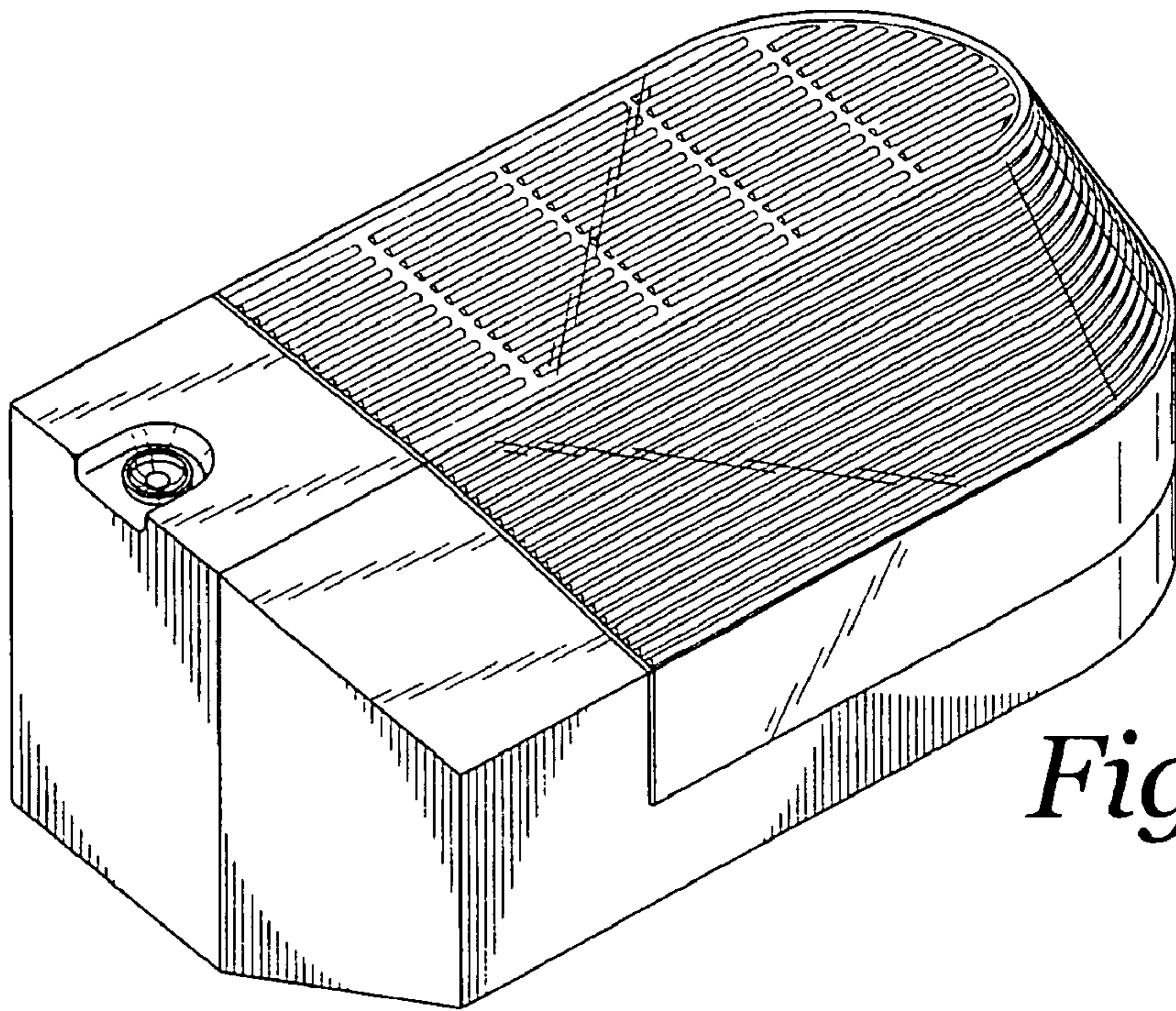


Fig. 1

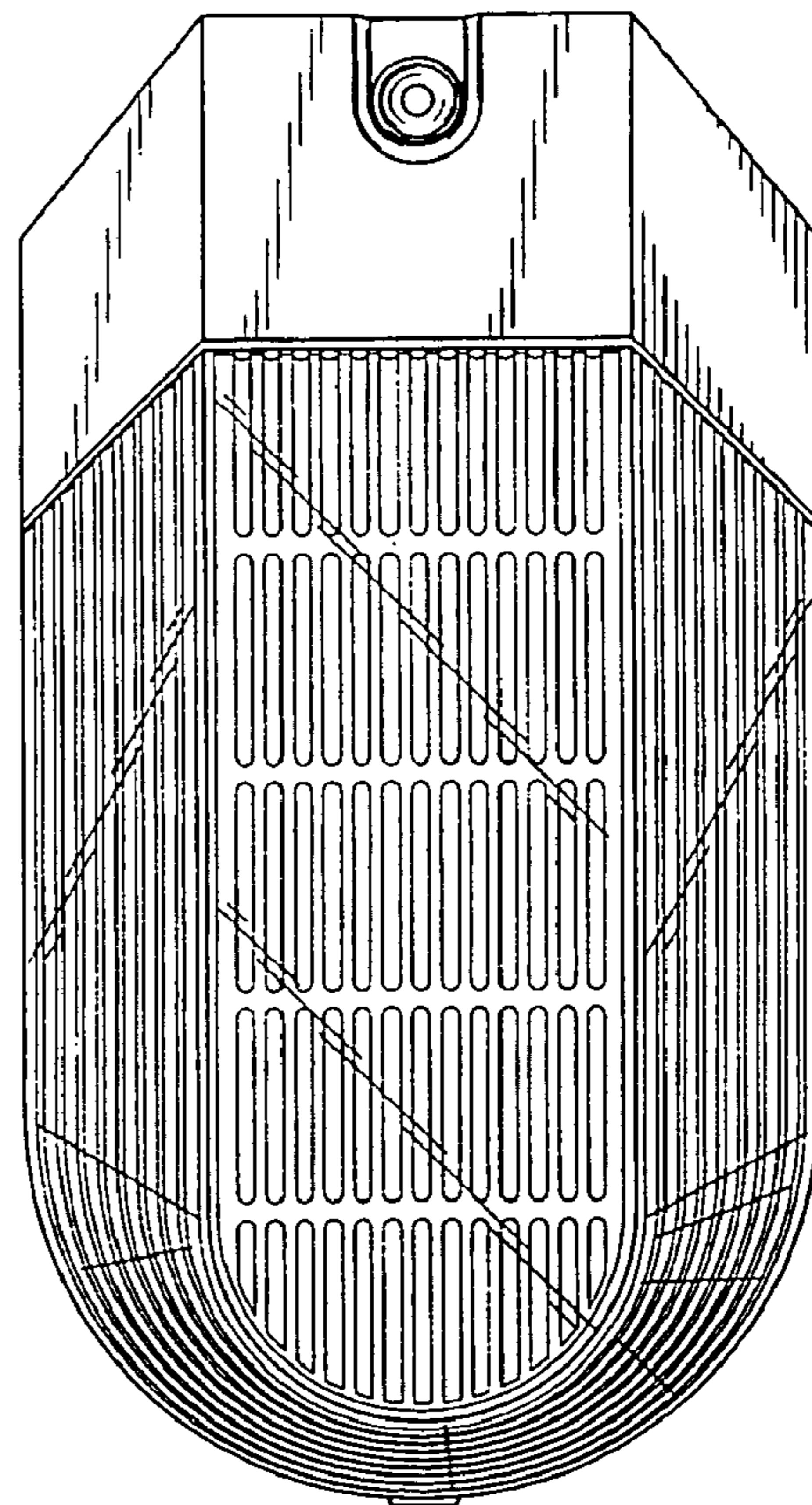


Fig. 2

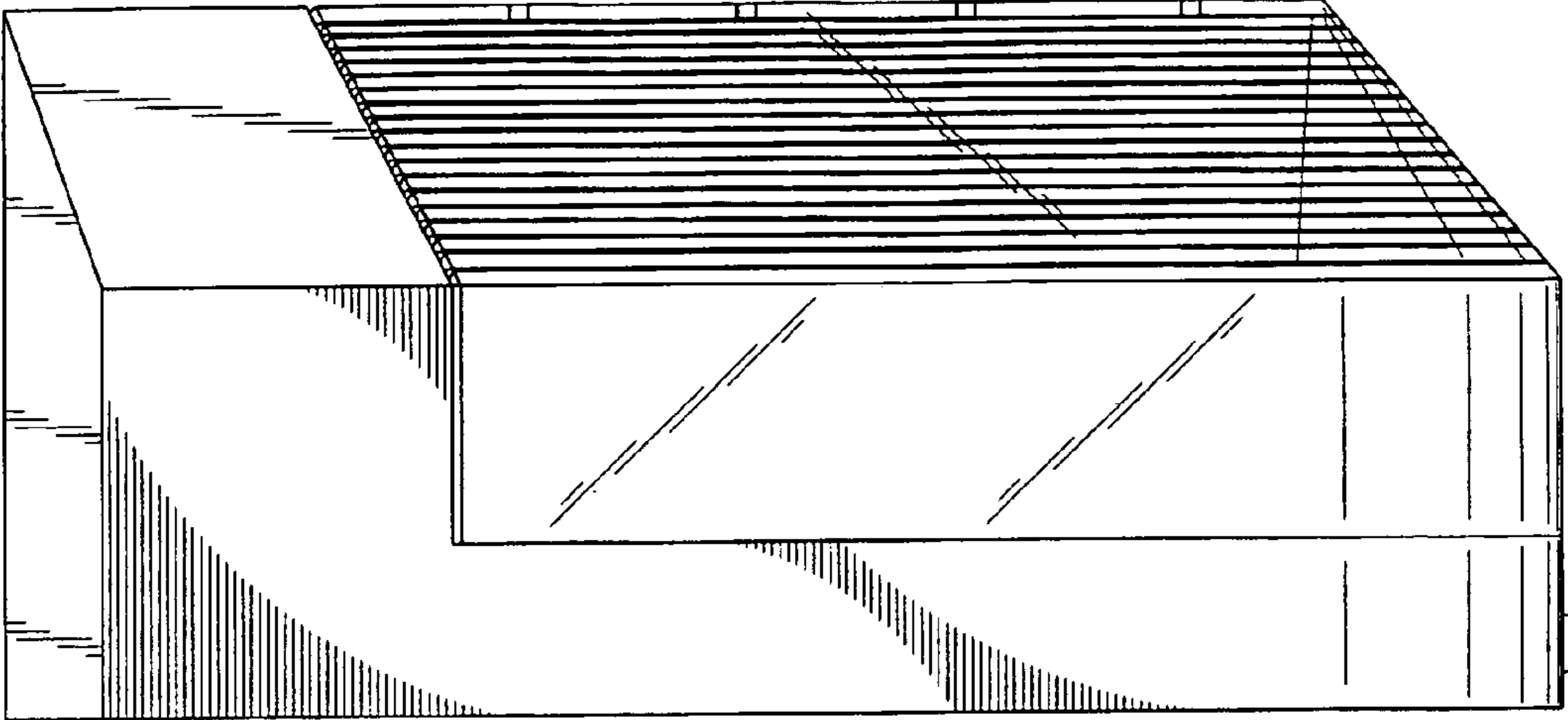


Fig. 3

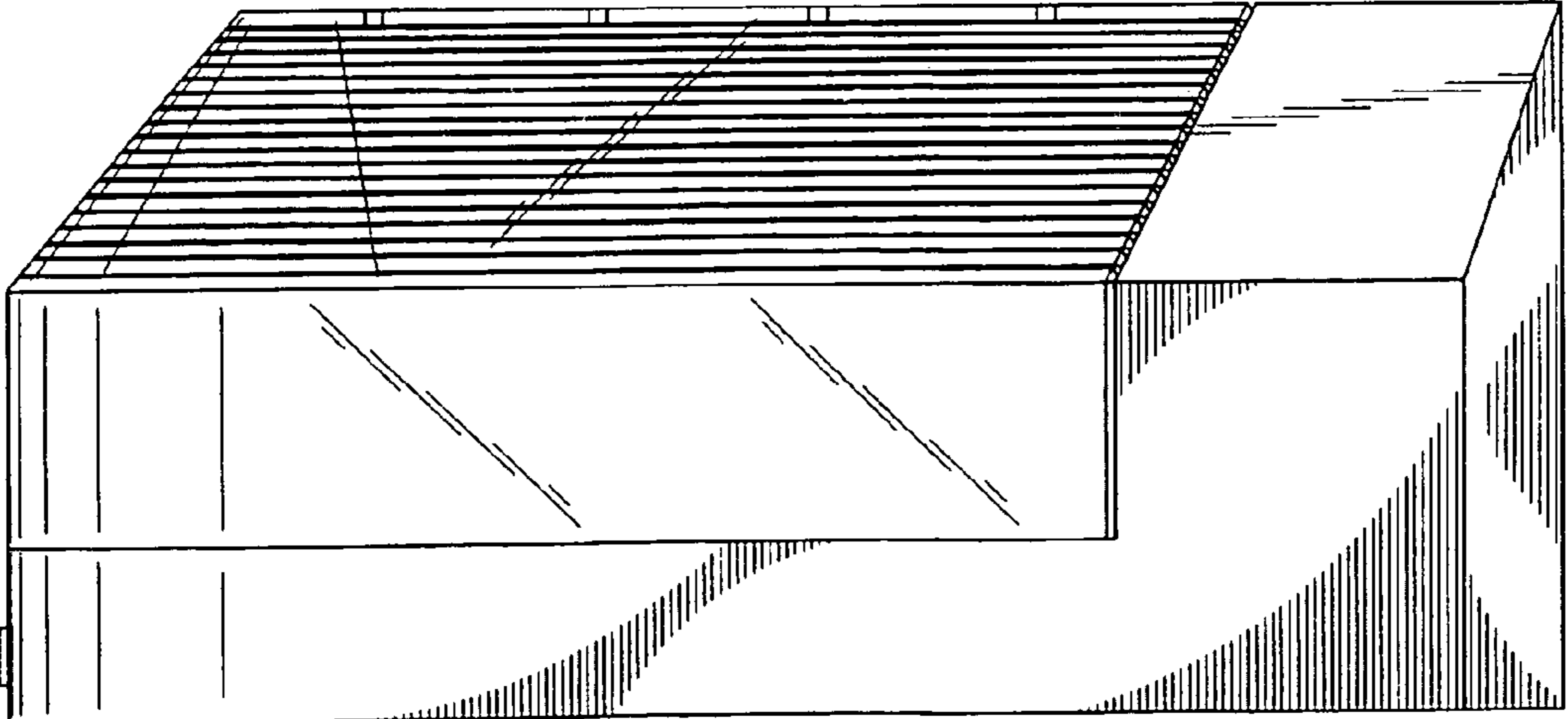


Fig. 4

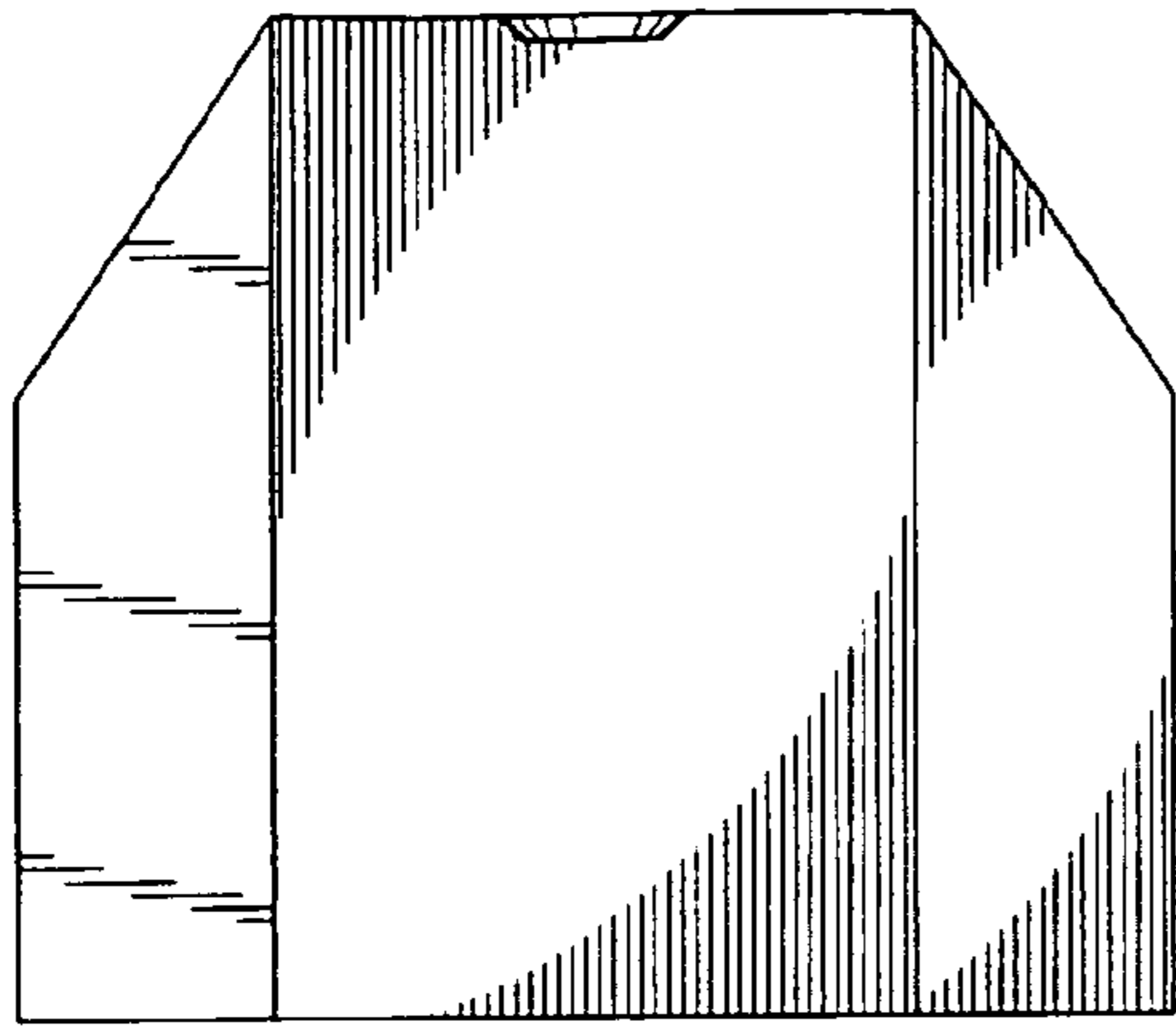


Fig. 5

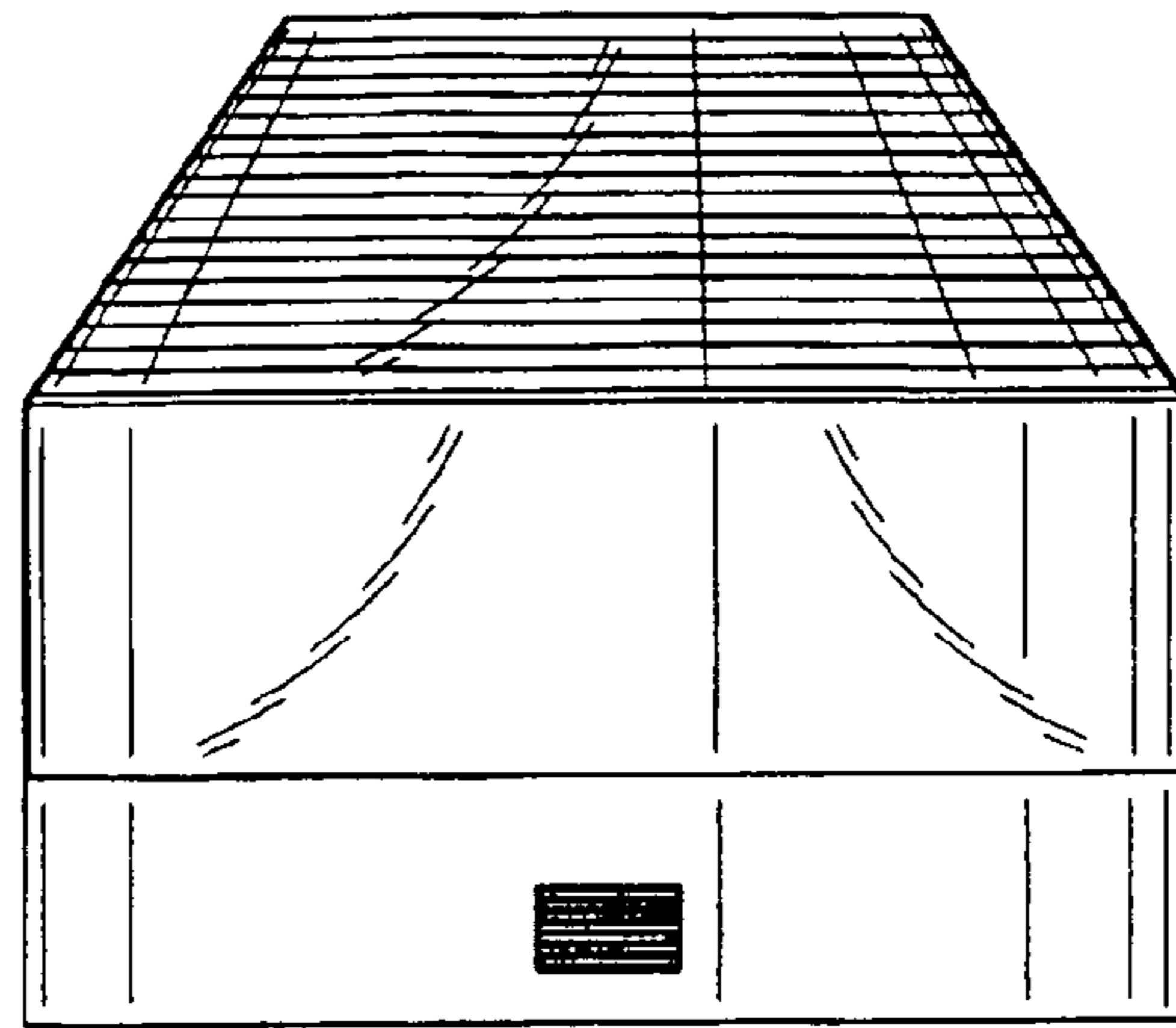


Fig. 6

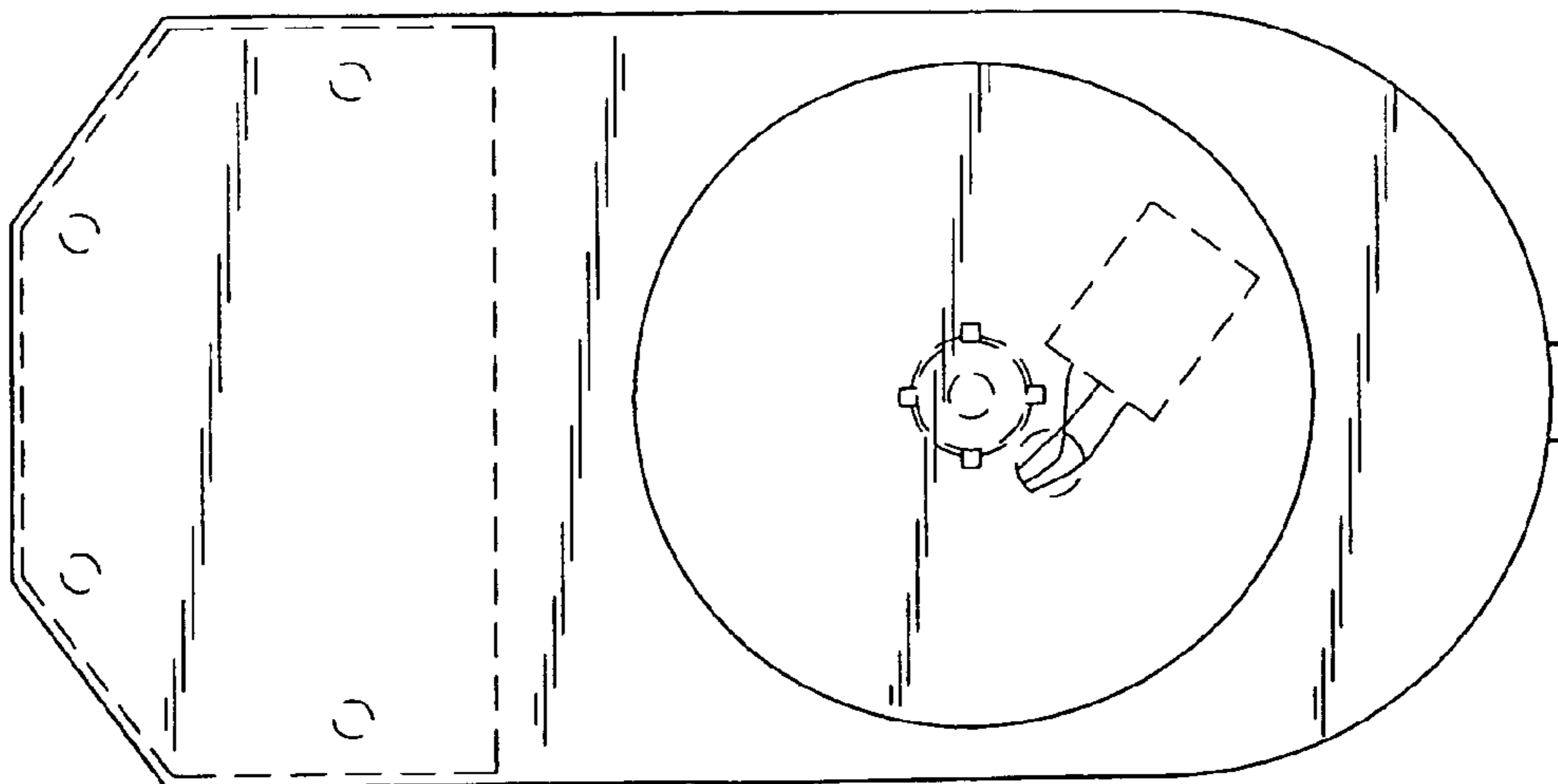


Fig. 7