



US00D630364S

(12) **United States Design Patent**
Schmitt et al.

(10) **Patent No.:** **US D630,364 S**

(45) **Date of Patent:** **** Jan. 4, 2011**

(54) **LAMP**

(75) Inventors: **Robert Schmitt**, Nottingham, NH (US);
Constance Pineault, Ipswich, MA (US)

(73) Assignee: **Osram Sylvania Inc.**, Danvers, MA
(US)

(**) Term: **14 Years**

(21) Appl. No.: **29/348,490**

(22) Filed: **Jan. 12, 2010**

(51) **LOC (9) Cl.** **26-05**

(52) **U.S. Cl.** **D26/72; D26/26**

(58) **Field of Classification Search** D26/24,
D26/26, 37, 46, 72, 85, 87, 88, 89, 93, 104,
D26/113, 118, 1, 2, 3; D10/111, 114; D23/366,
D23/367, 368; D13/107, 108, 180, 182;
362/640, 641, 642, 643, 644, 652, 653, 655,
362/657, 249.02, 311.02, 800, 806, 555,
362/567, 116, 122, 123, 145, 147, 157, 183,
362/194, 195, 200

See application file for complete search history.

(56) **References Cited**

U.S. PATENT DOCUMENTS

D245,937 S * 9/1977 Shaw D26/24
D245,938 S * 9/1977 Shaw D26/24
D426,904 S * 6/2000 Simon D26/26
D576,333 S * 9/2008 Benensohn D26/72
D583,976 S * 12/2008 Horn et al. D26/72

D589,186 S * 3/2009 Coushaine et al. D26/37
D599,944 S * 9/2009 Sabernig D26/74
D604,004 S * 11/2009 Guercio D26/85
D604,005 S * 11/2009 Chan D26/87
7,635,846 B2 12/2009 Chi et al.
D609,388 S * 2/2010 Sabernig D26/85
D620,634 S * 7/2010 Komar et al. D26/93
D626,679 S * 11/2010 Verelst D26/85
2009/0180271 A1 * 7/2009 Jachmann 362/20

* cited by examiner

Primary Examiner—Angela J Lee

(74) *Attorney, Agent, or Firm*—Edward S. Podezus

(57) **CLAIM**

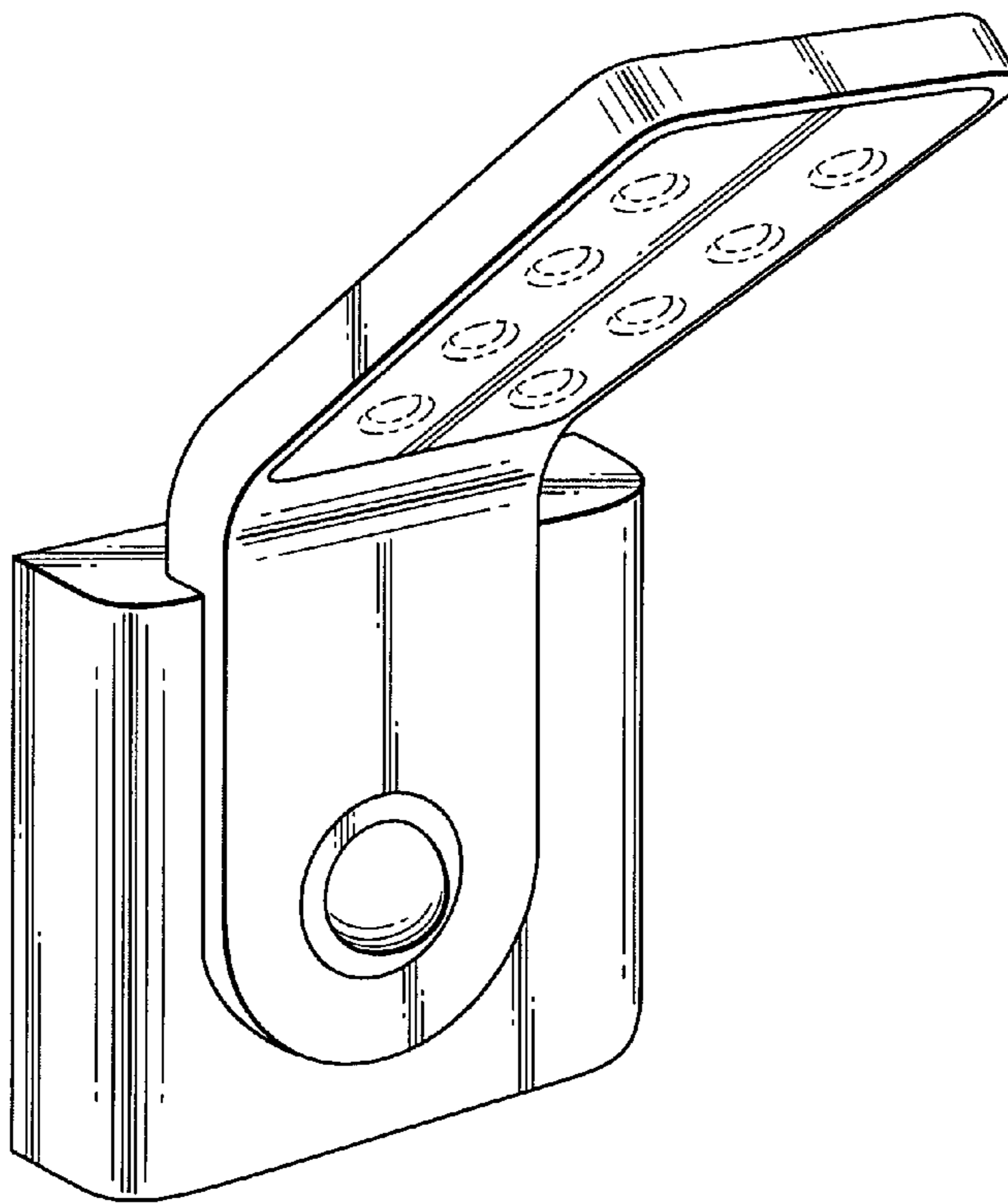
The ornamental design for a lamp, as shown and described.

DESCRIPTION

FIG. 1 is a front plan view thereof;
FIG. 2 is a left side view thereof;
FIG. 3 is a right side view thereof;
FIG. 4 is a bottom plan view thereof;
FIG. 5 is a top plan view thereof.
FIG. 6 is a rear plan view thereof; and,
FIG. 7 is a perspective view of the new design for a lamp as
seen from the front, right side.

The broken line disclosure is for environmental purposes only
and does not form a part of the claimed design.

1 Claim, 4 Drawing Sheets



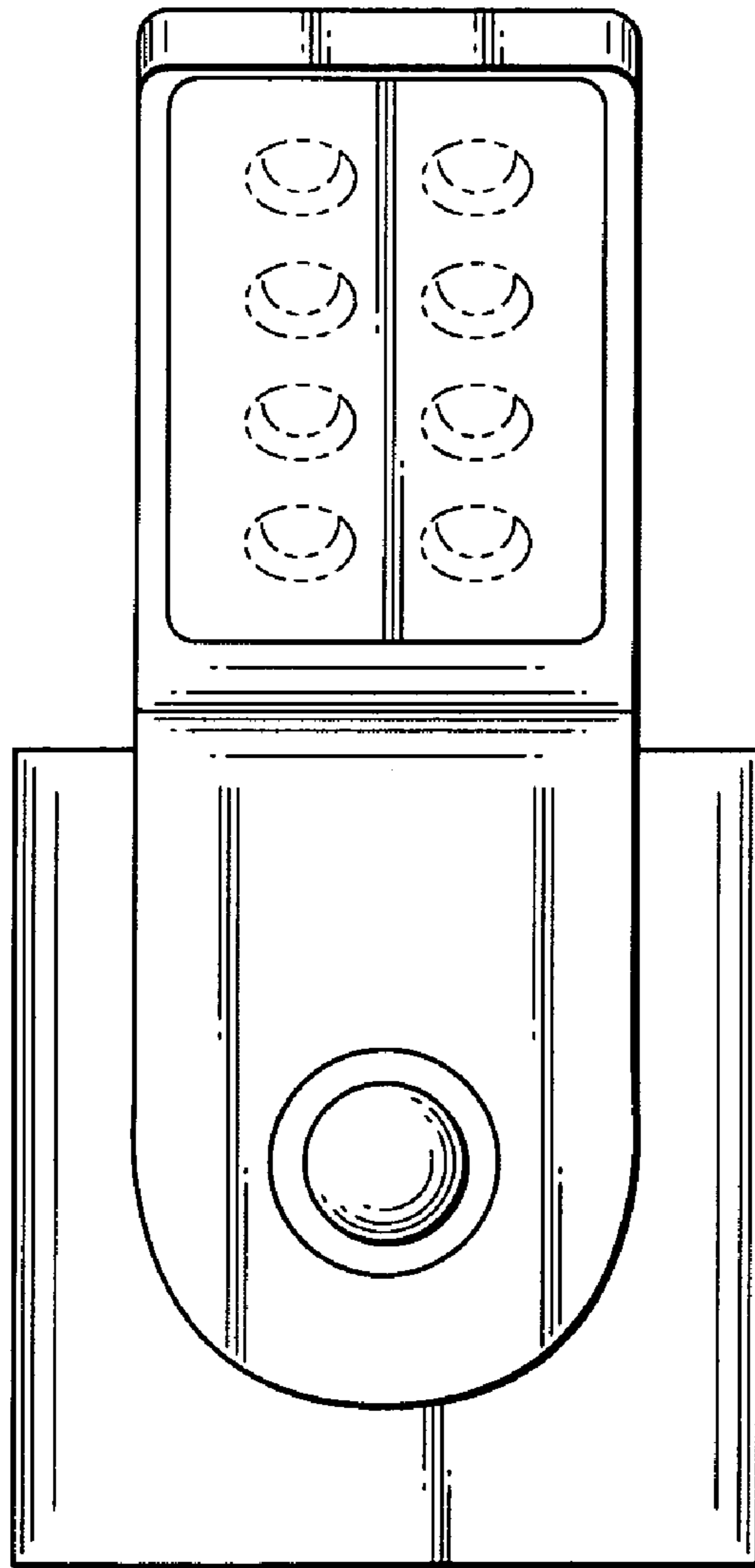


FIG. 1

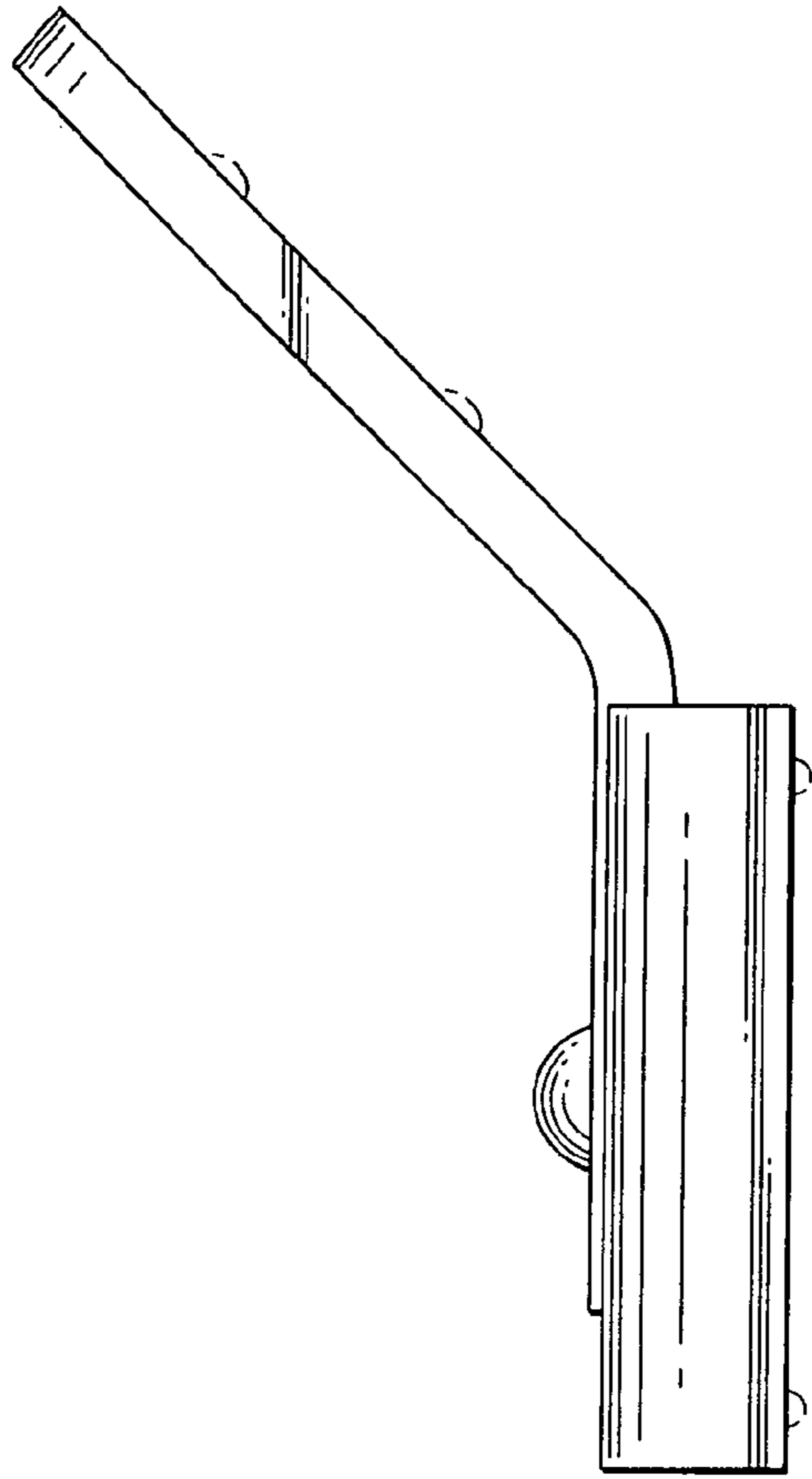


FIG. 2

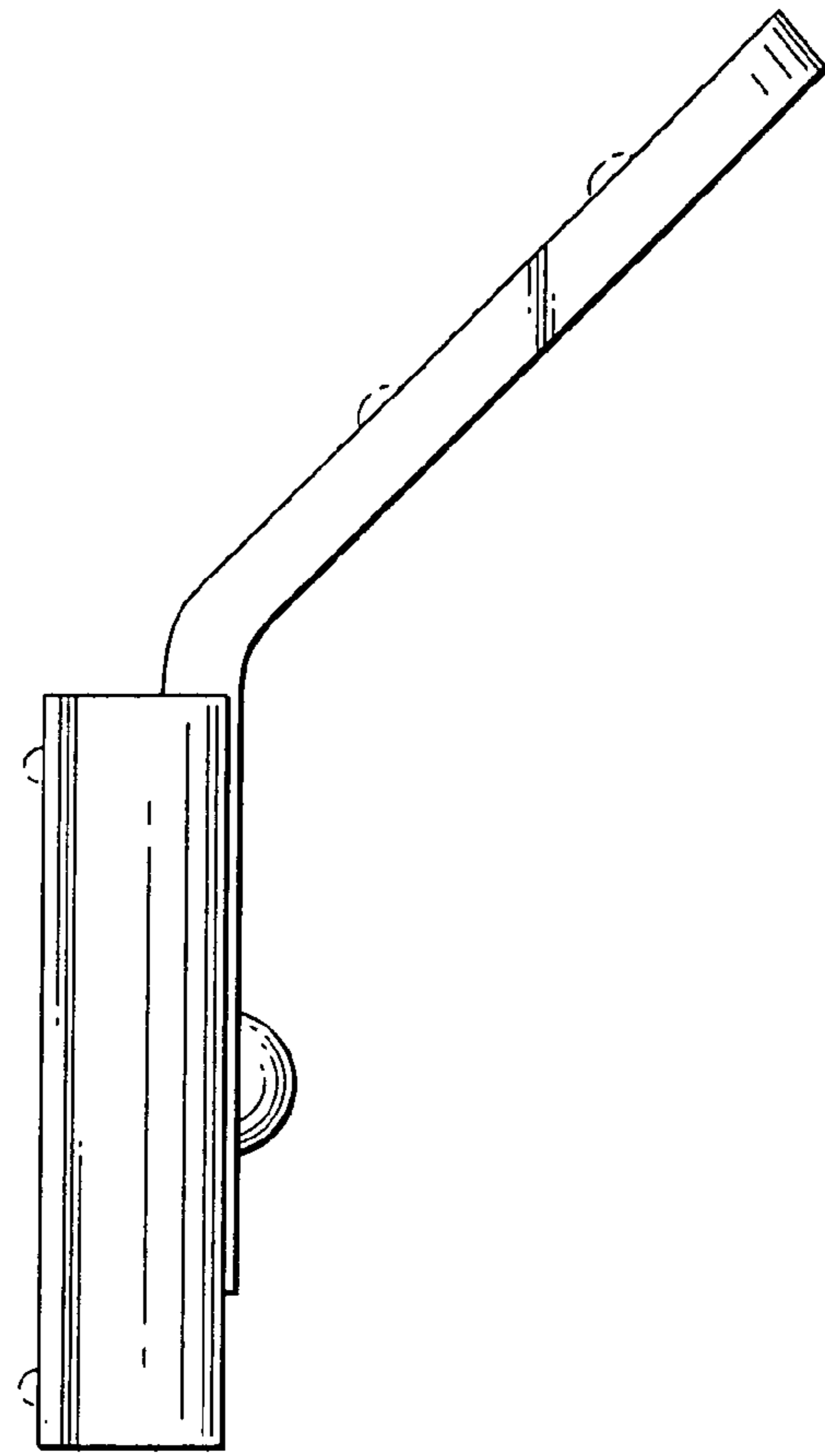


FIG. 3

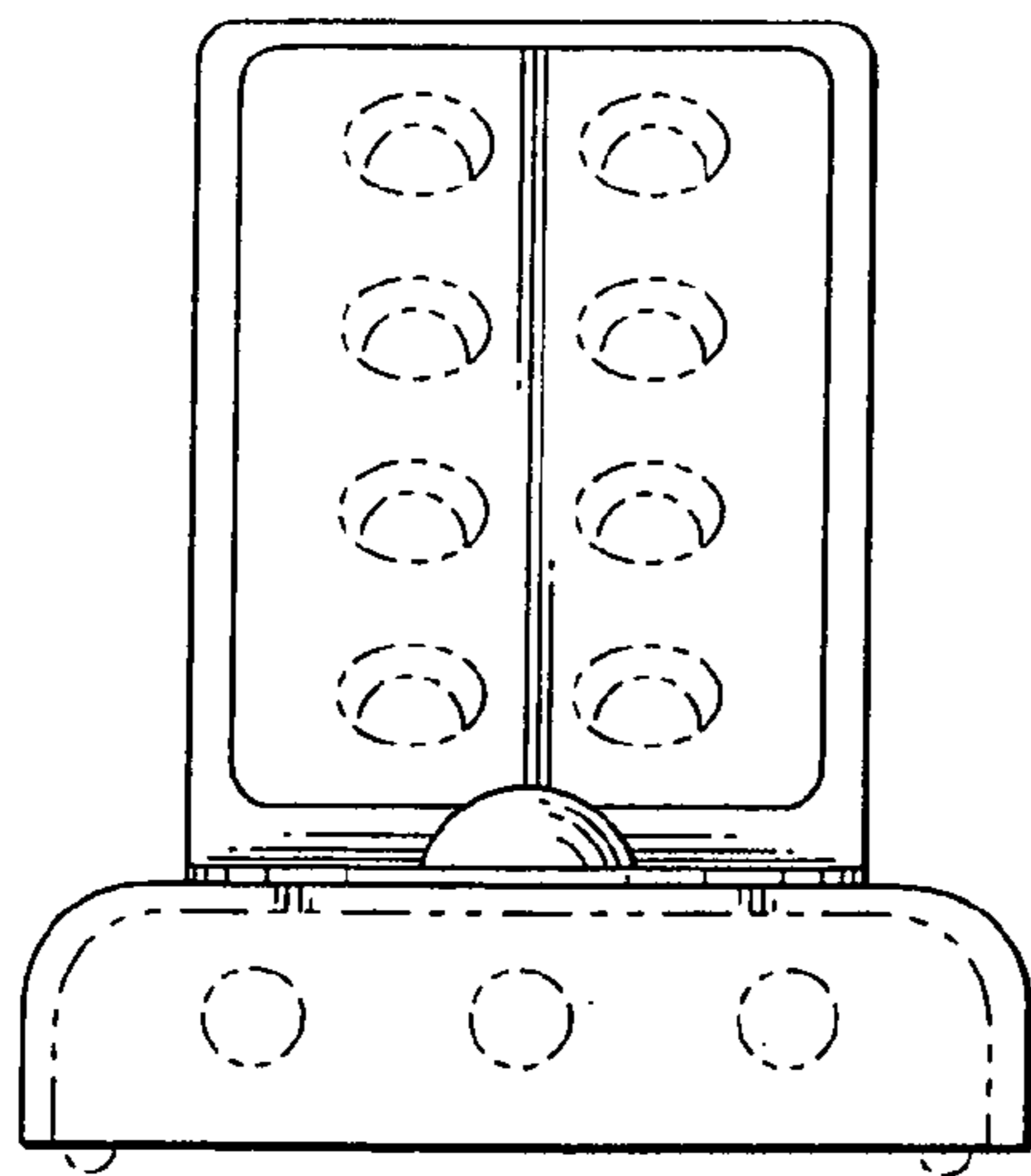


FIG. 4

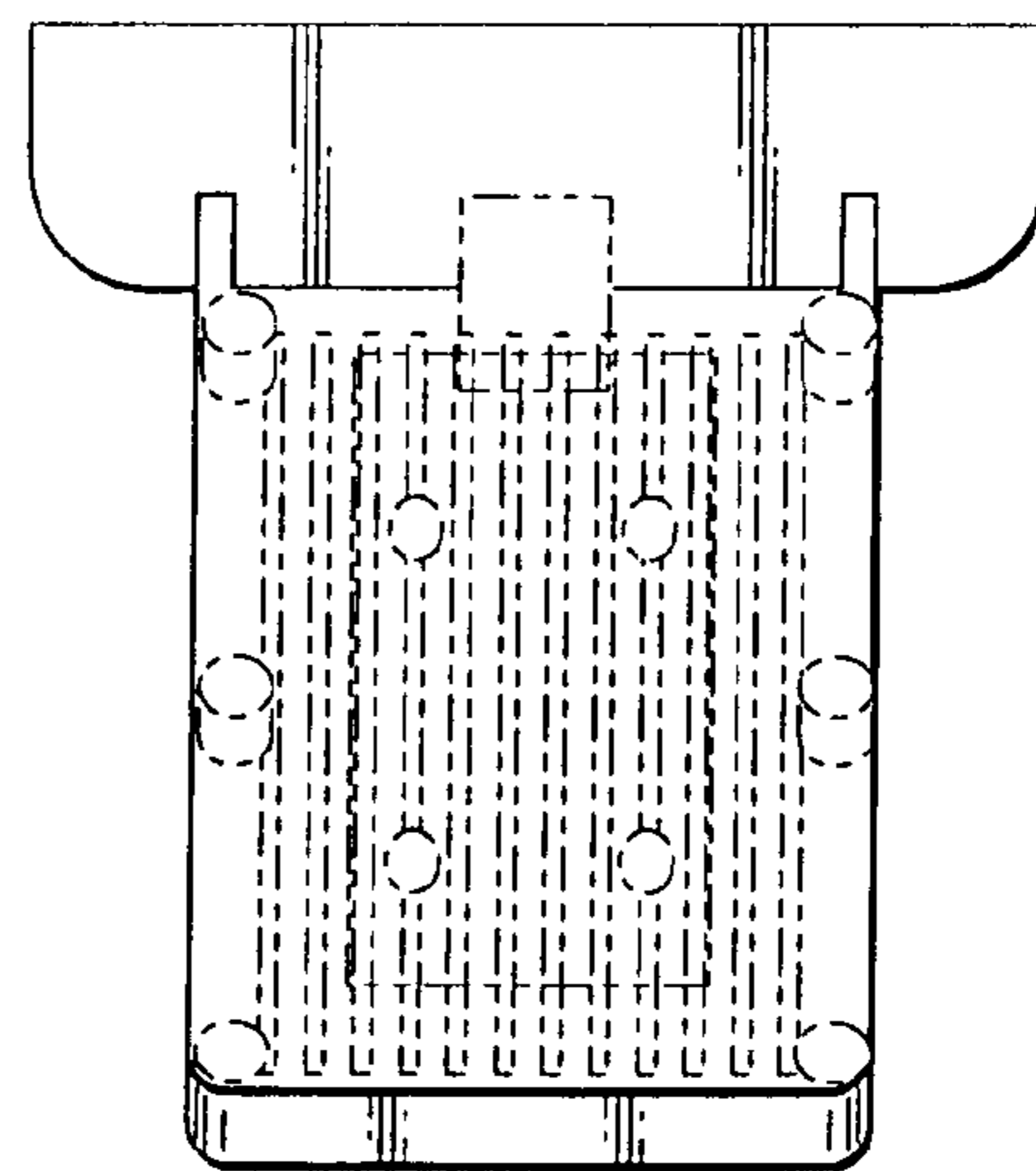


FIG. 5

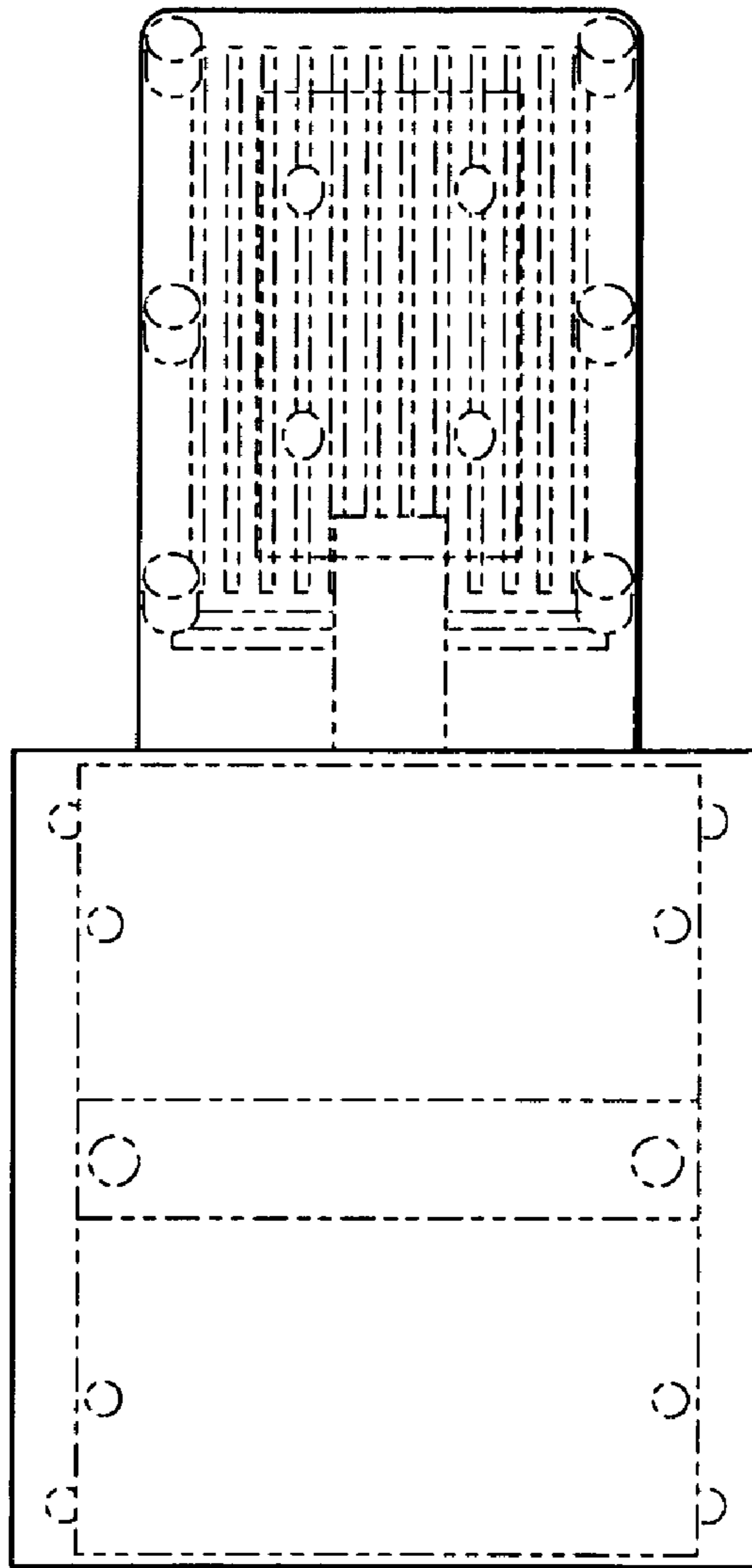


FIG. 6

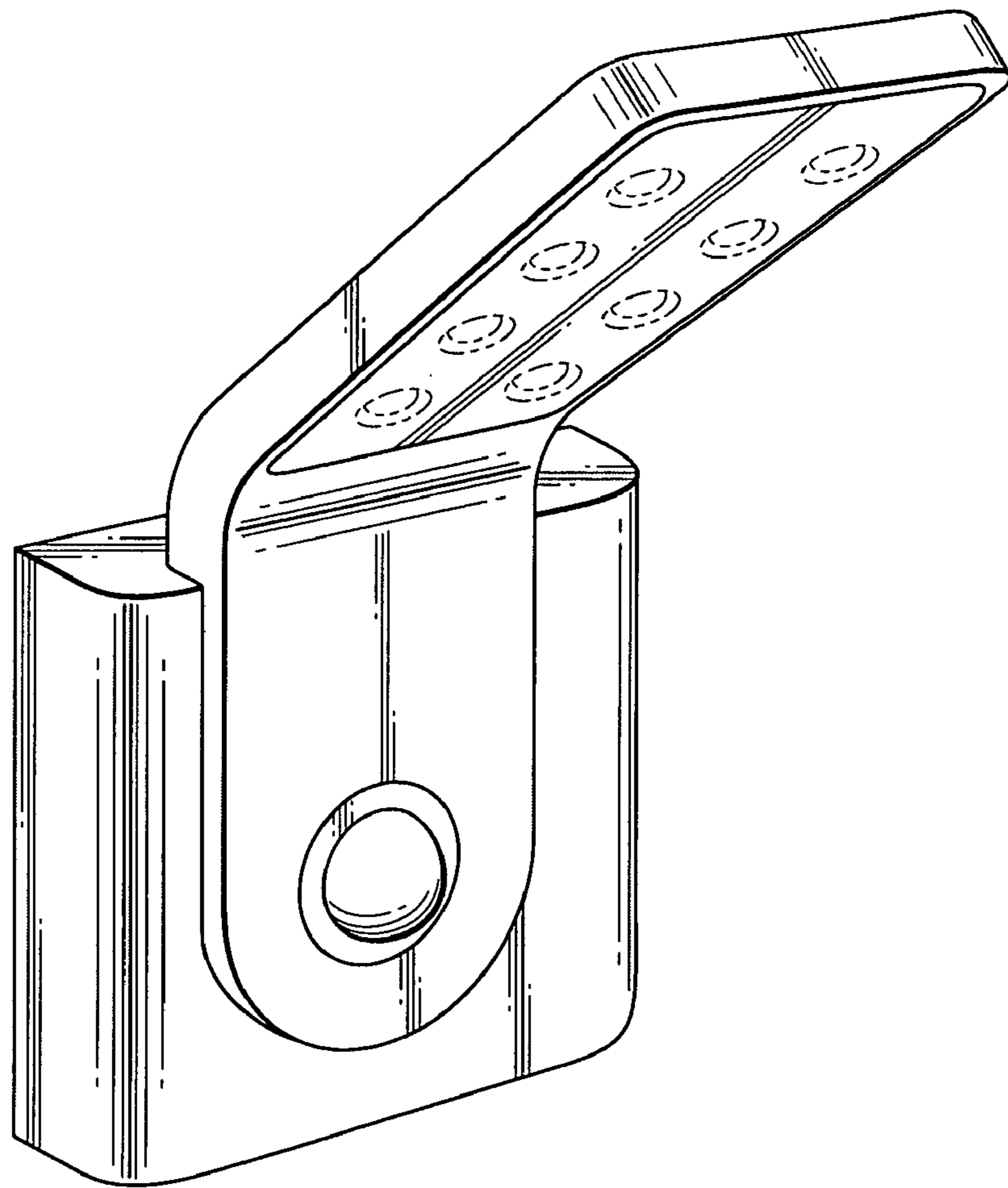


FIG. 7