



US00D630363S

(12) **United States Design Patent**  
**Sooferian**

(10) **Patent No.:** **US D630,363 S**

(45) **Date of Patent:** **\*\* Jan. 4, 2011**

(54) **SOLAR LIGHT**

(76) **Inventor:** **Danny H. Sooferian**, 451-E Constitution Ave., Camarillo, CA (US) 93012

(\*\*) **Term:** **14 Years**

(21) **Appl. No.:** **29/349,846**

(22) **Filed:** **May 7, 2010**

(51) **LOC (9) Cl.** ..... **26-05**

(52) **U.S. Cl.** ..... **D26/68**

(58) **Field of Classification Search** ..... D26/67-71,  
D26/73, 85, 101, 125, 128; 362/147, 152,  
362/153, 153.1, 183, 185, 431, 653

See application file for complete search history.

(56) **References Cited**

**U.S. PATENT DOCUMENTS**

D100,811 S *	8/1936	Bick	.....	D26/67
D238,961 S *	2/1976	Friberg	.....	D26/67
D382,662 S *	8/1997	Shalvi	.....	D26/68
D456,547 S *	4/2002	Leen	.....	D26/67
D464,456 S *	10/2002	Chang	.....	D26/67

D541,968 S *	5/2007	Tortel	.....	D26/67
D556,932 S *	12/2007	Sooferian	.....	D26/68
D615,687 S *	5/2010	Chen	.....	D26/68

\* cited by examiner

*Primary Examiner*—Clare E Heflin

(74) *Attorney, Agent, or Firm*—Colin P. Abrahams

(57) **CLAIM**

The ornamental design for a solar light, as shown and described.

**DESCRIPTION**

FIG. 1 is a perspective view of a solar light showing my new design;

FIG. 2 is a front view of the solar light, the rear view being a mirror image;

FIG. 3 is a right side view of the solar light, the left side being identical;

FIG. 4 is a top view of the solar light; and,

FIG. 5 is a bottom view of the solar light.

**1 Claim, 2 Drawing Sheets**

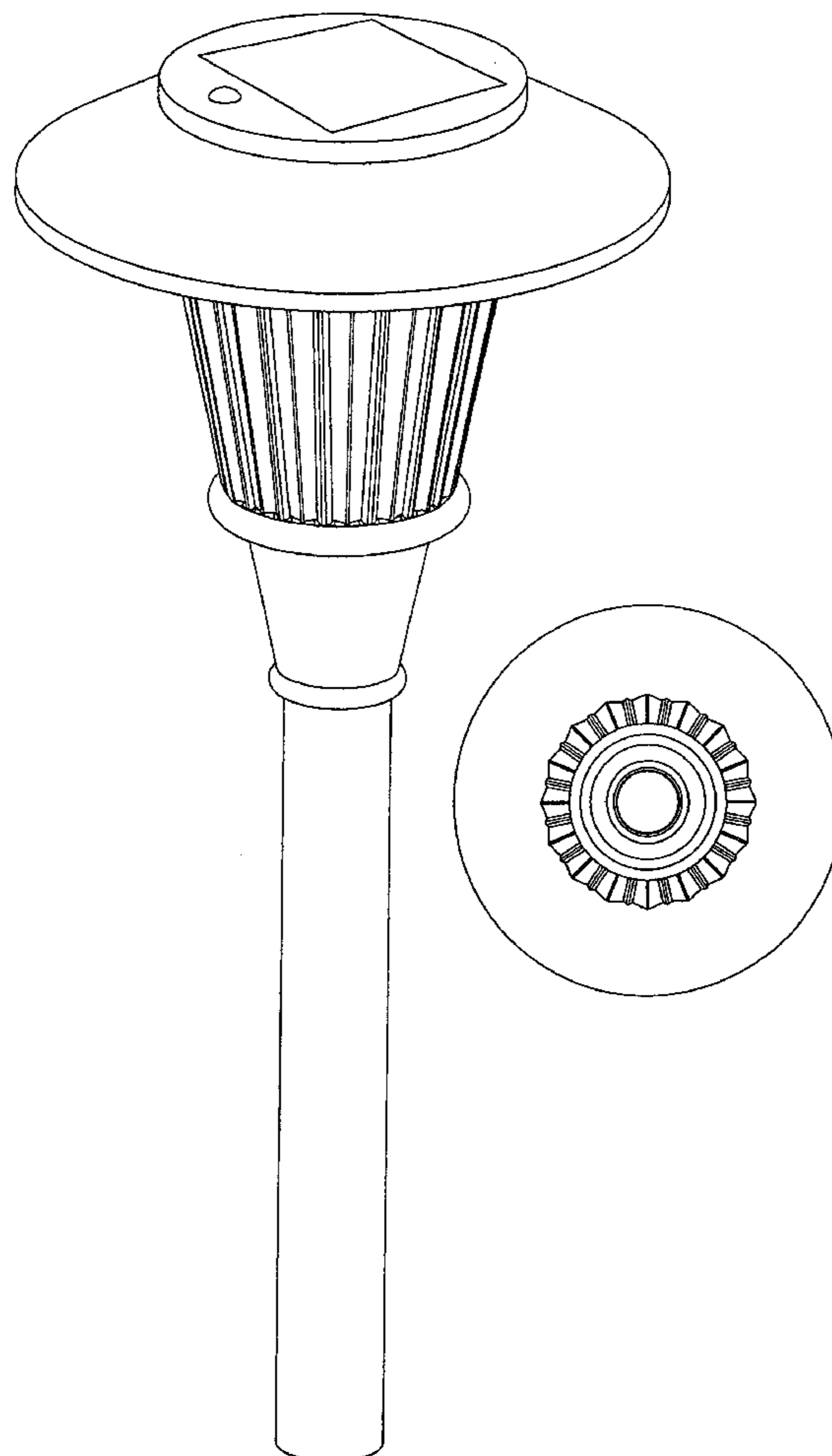


FIG. 1

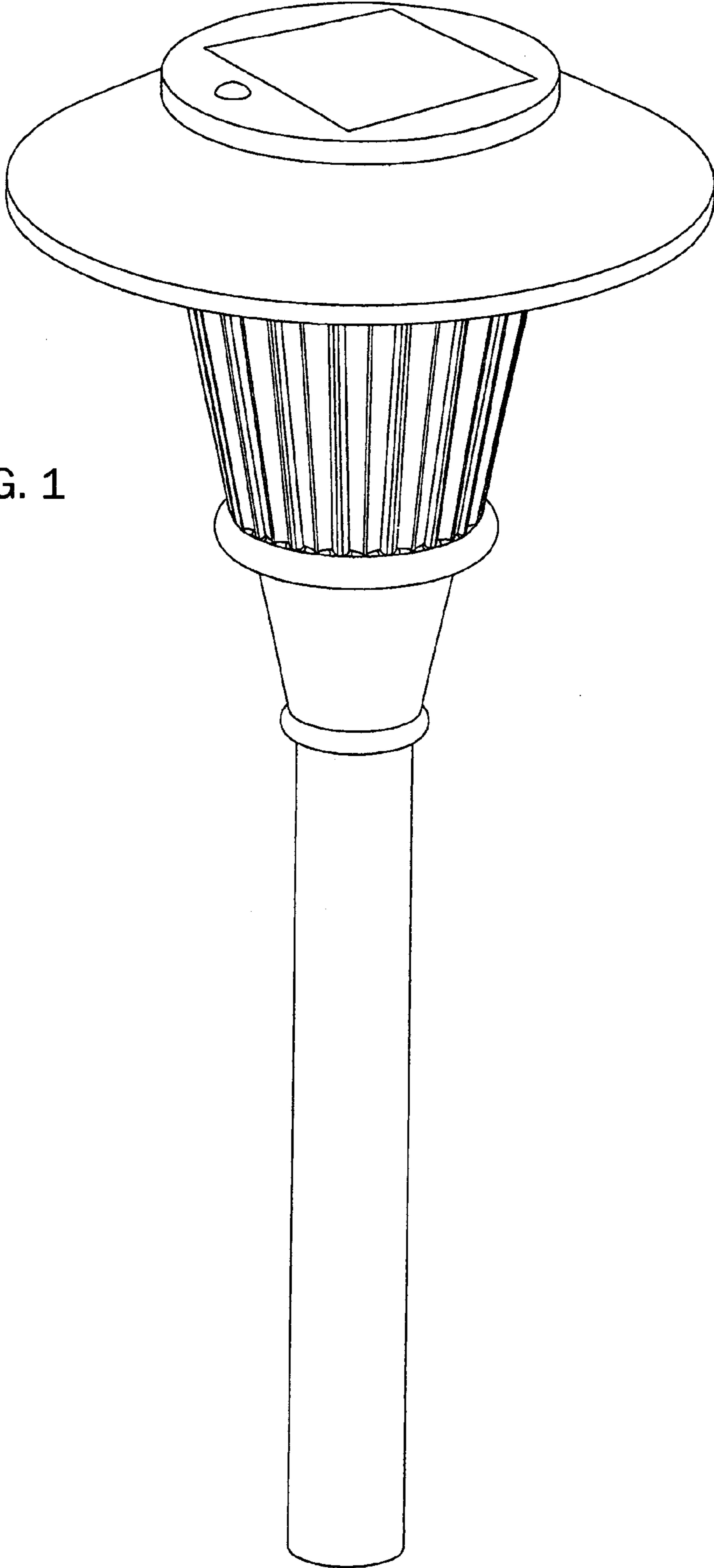


FIG. 4

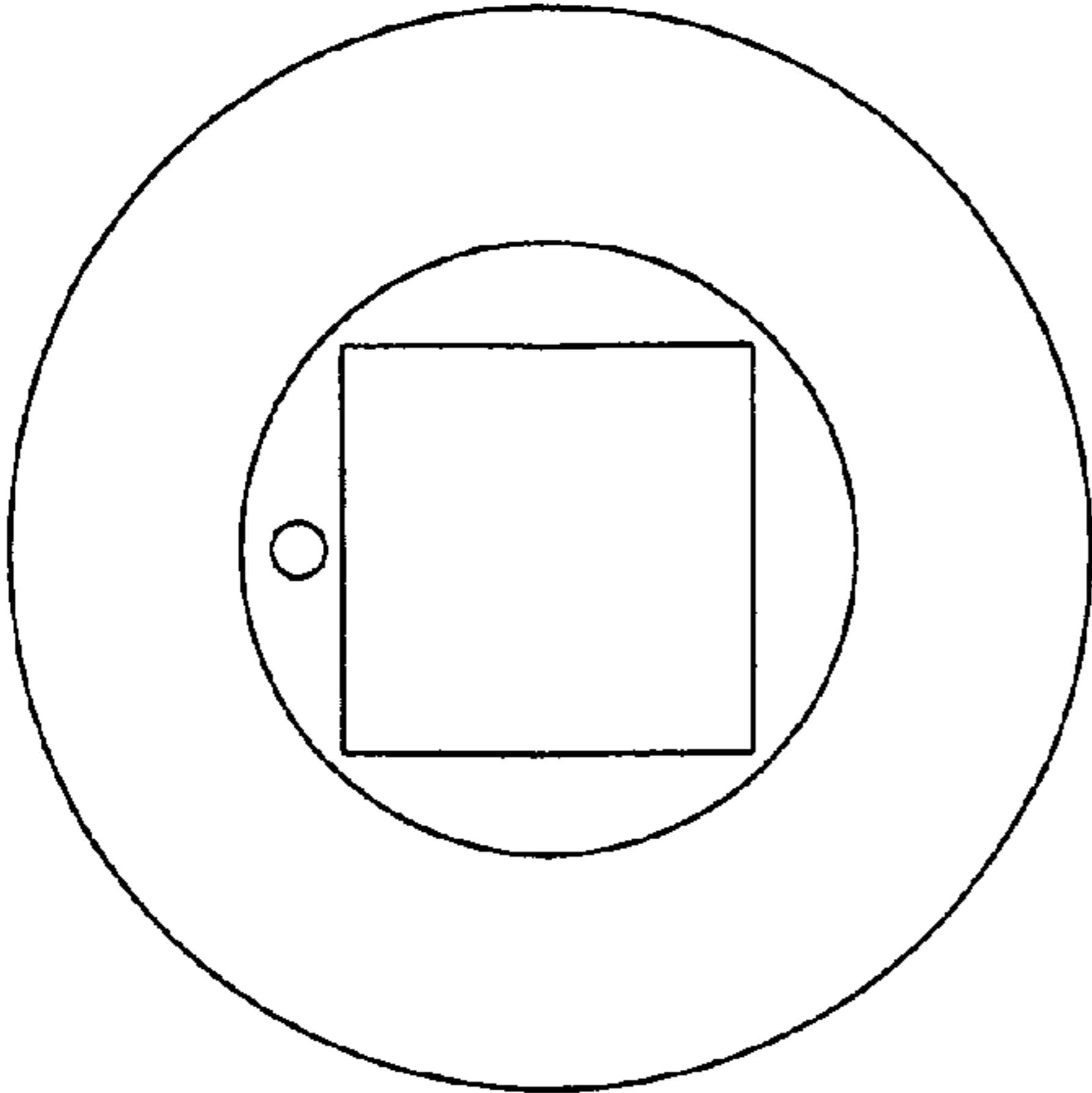


FIG. 5

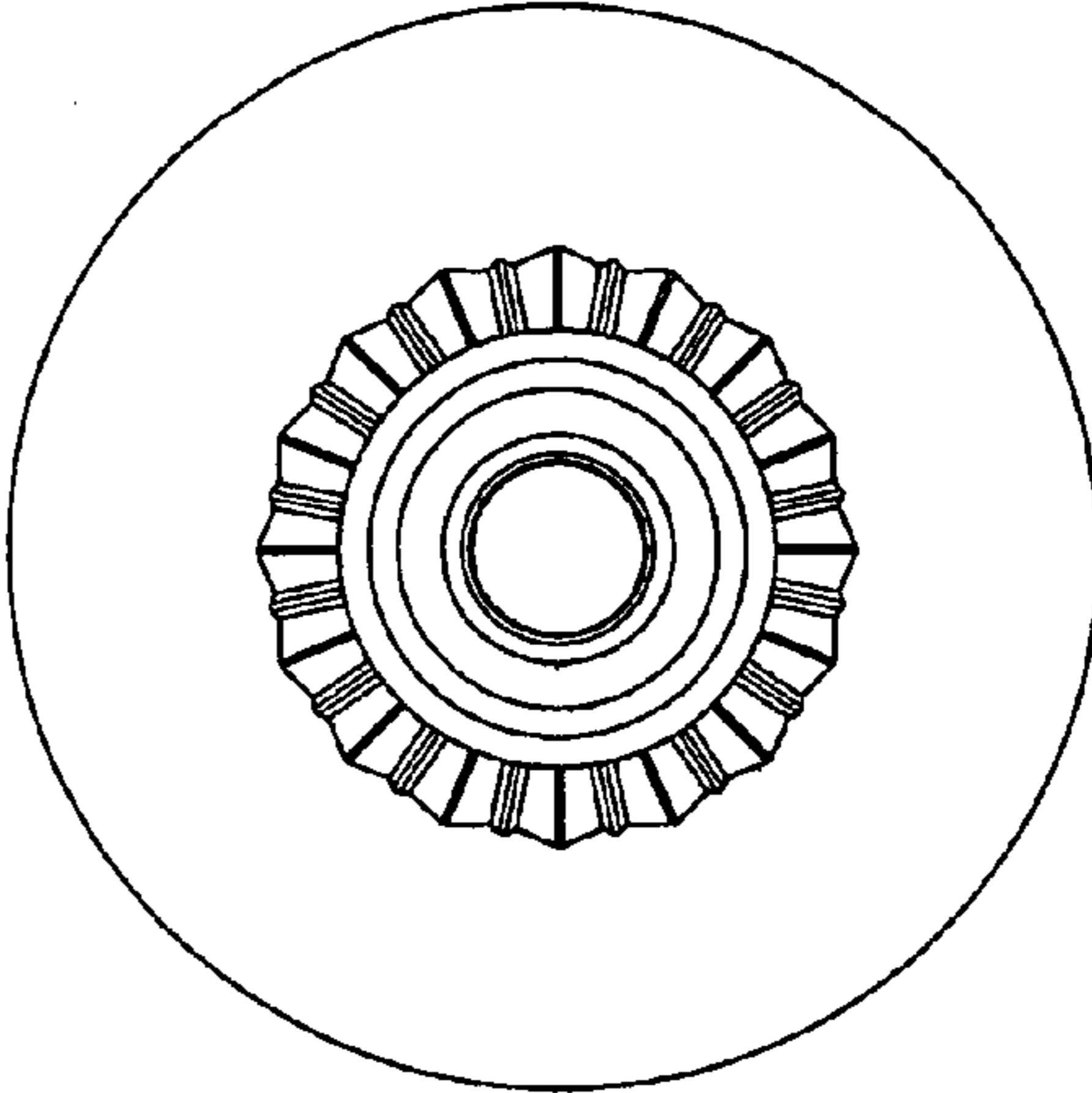


FIG. 3

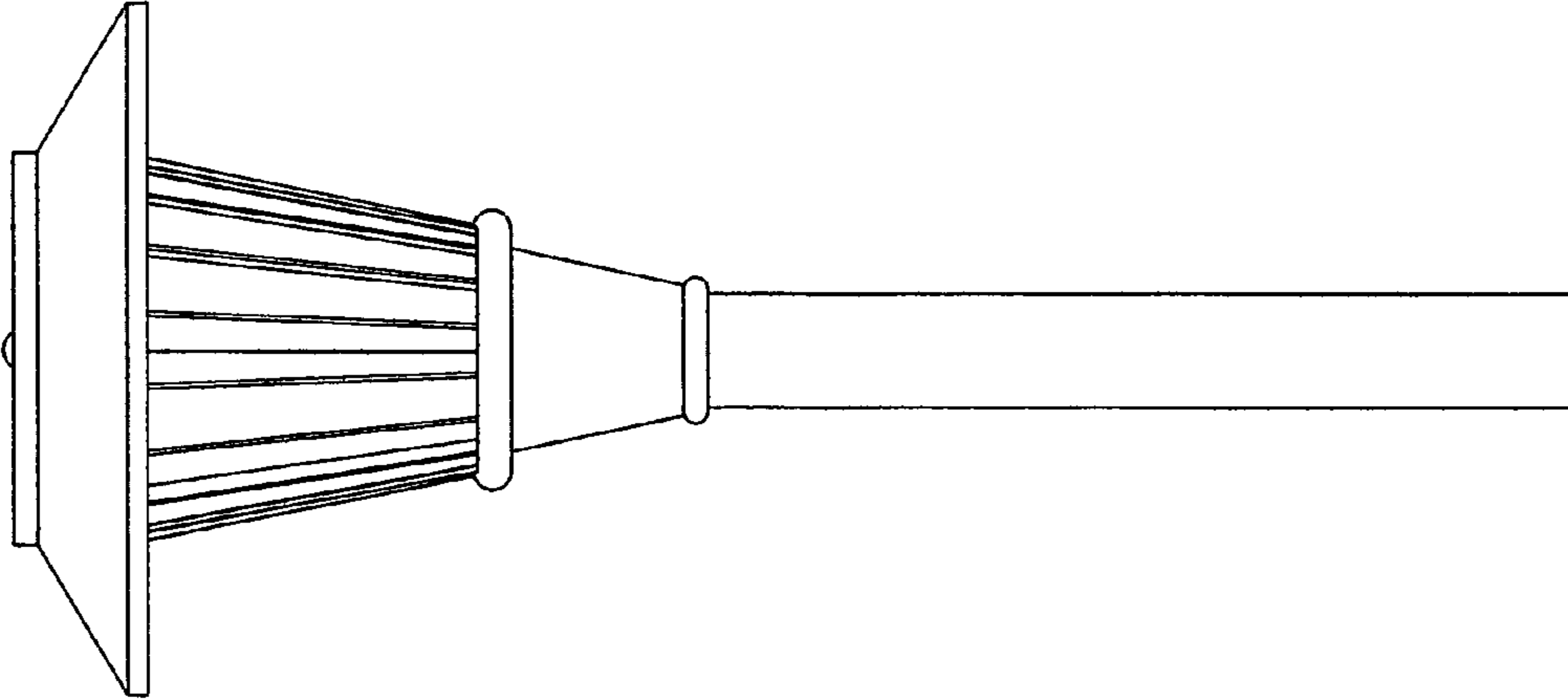


FIG. 2

