



US00D630358S

(12) **United States Design Patent**  
**Nelson et al.**

(10) **Patent No.:** **US D630,358 S**  
(45) **Date of Patent:** **\*\* Jan. 4, 2011**

(54) **ILLUMINATING DEVICE**

2003/0179572 A1 9/2003 Schnell

(75) Inventors: **David Nelson**, Las Vegas, NV (US);  
**Wai-Ming Law**, Yuen Long (HK)

OTHER PUBLICATIONS

(73) Assignee: **SOL-Light, LLC.**, Las Vegas, NV (US)

ZELCO, Long Reach Flexible Flashlight, DiversityBusiness.com, 1 page, date unknown, but prior to filing.  
ZELCO, Itty Bitty Book Light Led Edition, Diversity Business.com, 1 page, date unknown, but prior to filing.  
ZELCO, Folio™ The Lighted Clipboard Bookstand, DiversityBusiness.com, 1 page, date unknown, but prior to filing.  
ZELCO, The Bugless Lantern, DiversityBusiness.com, 1 page, date unknown, but prior to filing.  
ZELCO, Rubberneck Clip Lite, DiversityBusiness.com, 1 page, date unknown, but prior to filing.

(\*\*) Term: **14 Years**

(21) Appl. No.: **29/353,181**

(22) Filed: **Jan. 4, 2010**

(51) **LOC (9) Cl.** ..... **26-05**

(52) **U.S. Cl.** ..... **D26/60; D26/61**

(58) **Field of Classification Search** ..... D26/60–66,  
D26/37, 38, 40, 43, 44, 46, 51, 104, 47, 52;  
362/98, 99, 157, 174, 800, 191, 197, 198,  
362/269, 270, 274, 277, 278, 281, 282, 283,  
362/287, 288, 396, 362, 368, 371, 319, 372  
See application file for complete search history.

(Continued)

*Primary Examiner*—Susan M Lee  
*Assistant Examiner*—Linda G. Brooks  
(74) *Attorney, Agent, or Firm*—Banner & Witcoff, Ltd.

(56) **References Cited**

(57) **CLAIM**

The ornamental design for an illuminating device, as shown and described.

U.S. PATENT DOCUMENTS

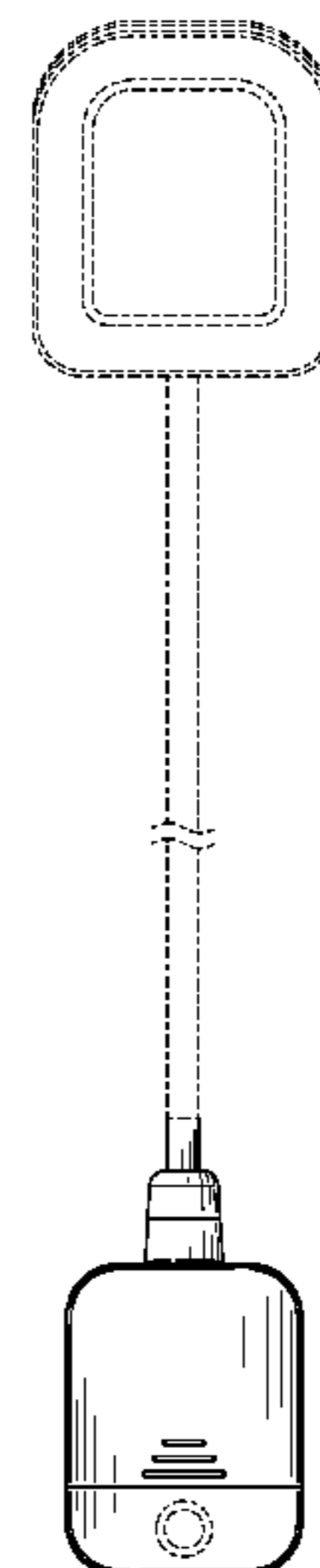
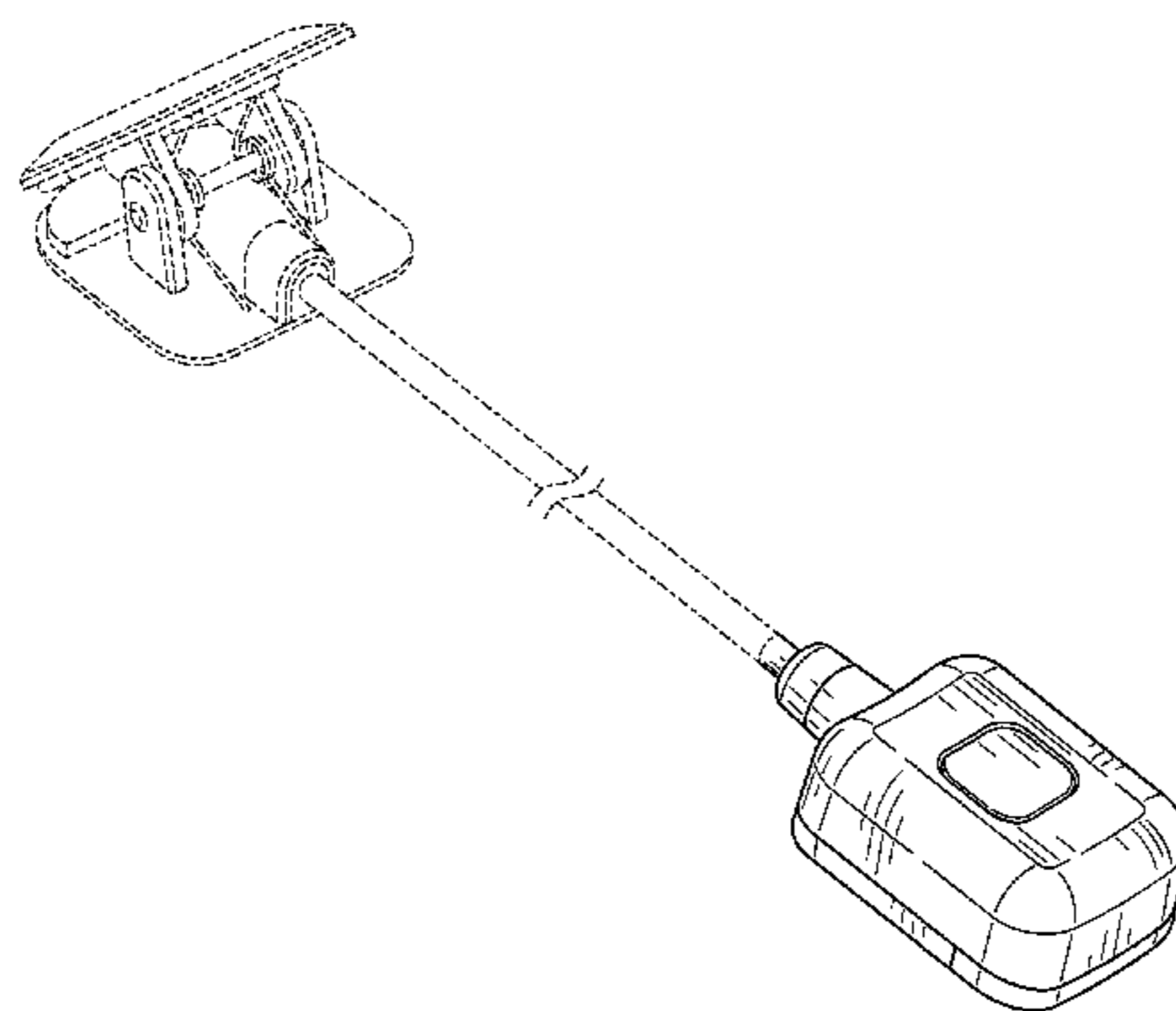
D301,753 S	6/1989	Iacovelli	
D325,647 S	4/1992	Hwang	
D327,545 S	6/1992	Lee	
D427,703 S	7/2000	Chan	
D428,177 S	7/2000	Chan	
D436,202 S	1/2001	Chen	
D498,322 S	11/2004	Schnell	
D509,012 S	8/2005	Chan	
D535,046 S	1/2007	Smith et al.	
7,309,137 B2	12/2007	Chan	
7,390,105 B2	6/2008	Nelson et al.	
D600,852 S	9/2009	Clepper et al.	
D600,853 S	9/2009	Clepper et al.	
D604,445 S *	11/2009	Ko et al.	D26/60
D616,584 S *	5/2010	Kang et al.	D26/60
D618,385 S	6/2010	Nelson et al.	
D618,386 S	6/2010	Nelson et al.	

**DESCRIPTION**

FIG. 1 is a perspective view of an illuminating device showing our new design;  
FIG. 2 is a left side view thereof;  
FIG. 3 is a right side view thereof;  
FIG. 4 is a front view thereof;  
FIG. 5 is a rear view thereof;  
FIG. 6 is a bottom view thereof; and,  
FIG. 7 is a top view thereof.

The broken line showing of the circular lens and the remainder of the illumination device is for illustrative purposes only and forms no part of the claimed design.

**1 Claim, 4 Drawing Sheets**



OTHER PUBLICATIONS

ZELCO, Micro Fluorescent Lantern, DiversityBusiness.com, 1 page, date unknown, but prior to filing.

ZELCO, The Audio 'itty bitty' Booklight, (battery version), DiversityBusiness.com, 1 page, date unknown, but prior to filing.

ZELCO, The Fluorescent 'itty bitty' Book Light, DiversityBusiness.com, 1 page, date unknown, but prior to filing.

ZELCO, Lumifier, DiversityBusiness.com, 1 page, date unknown, but prior to filing.

ZELCO, Little Laptop Light, DiversityBusiness.com, 1 page, date unknown, but prior to filing.

ZELCO, The BBQ Grill Light, DiversityBusiness.com, 1 page, date unknown, but prior to filing.

"Bright As Day!" Daylight Spectrum Booklite, Product No. SI292SIL, sharperimage.com, 2 pages, date unknown, but prior to filing.

High-Brightness Dual LED Booklight, Product No. SI289BLK, sharperimage.com, 2 pages, date unknown, but prior to filing.

Opamerica, Ultralife Reading Light, opamerica.com, 4 pages, date unknown, but prior to filing.

\* cited by examiner

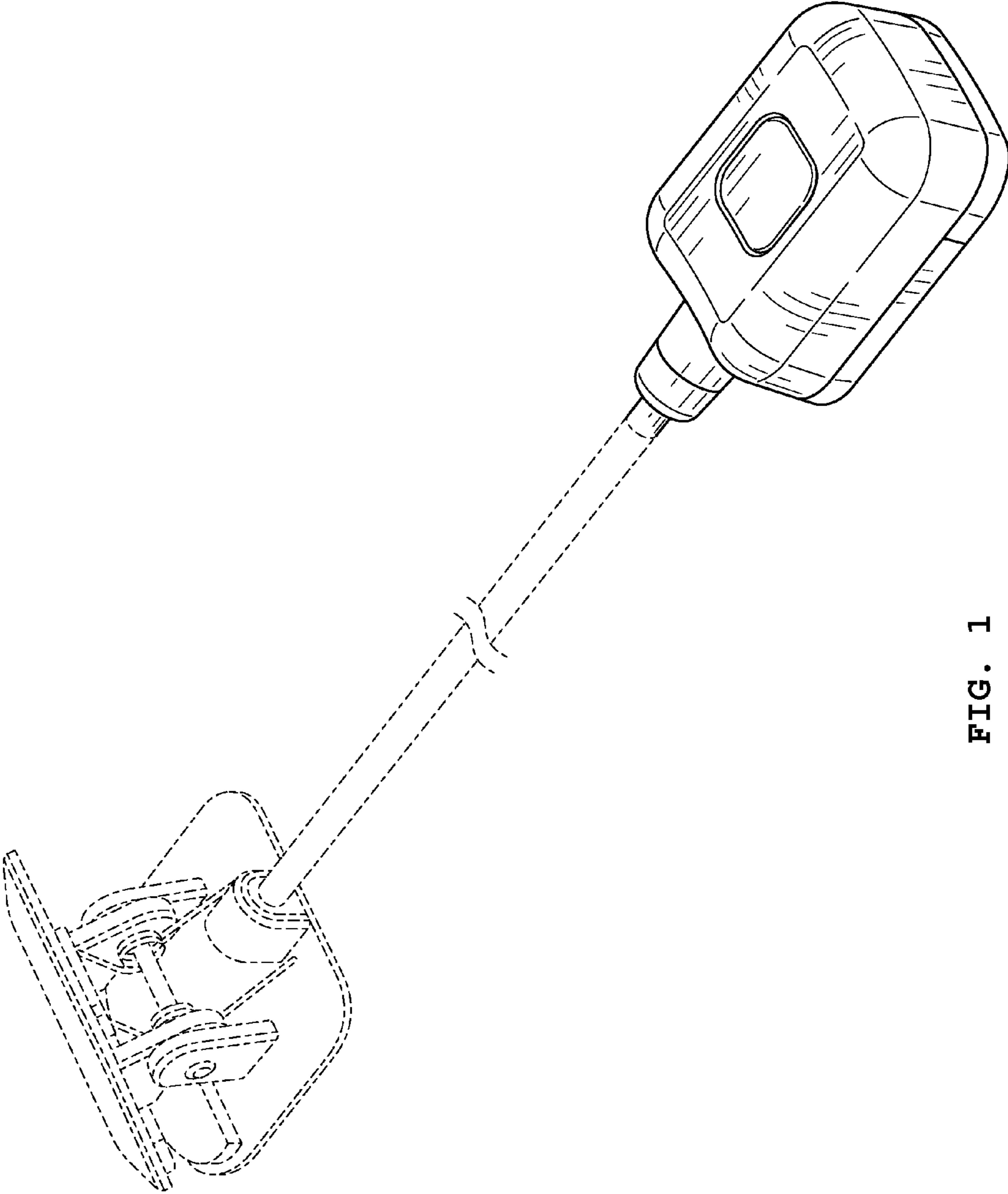


FIG. 1

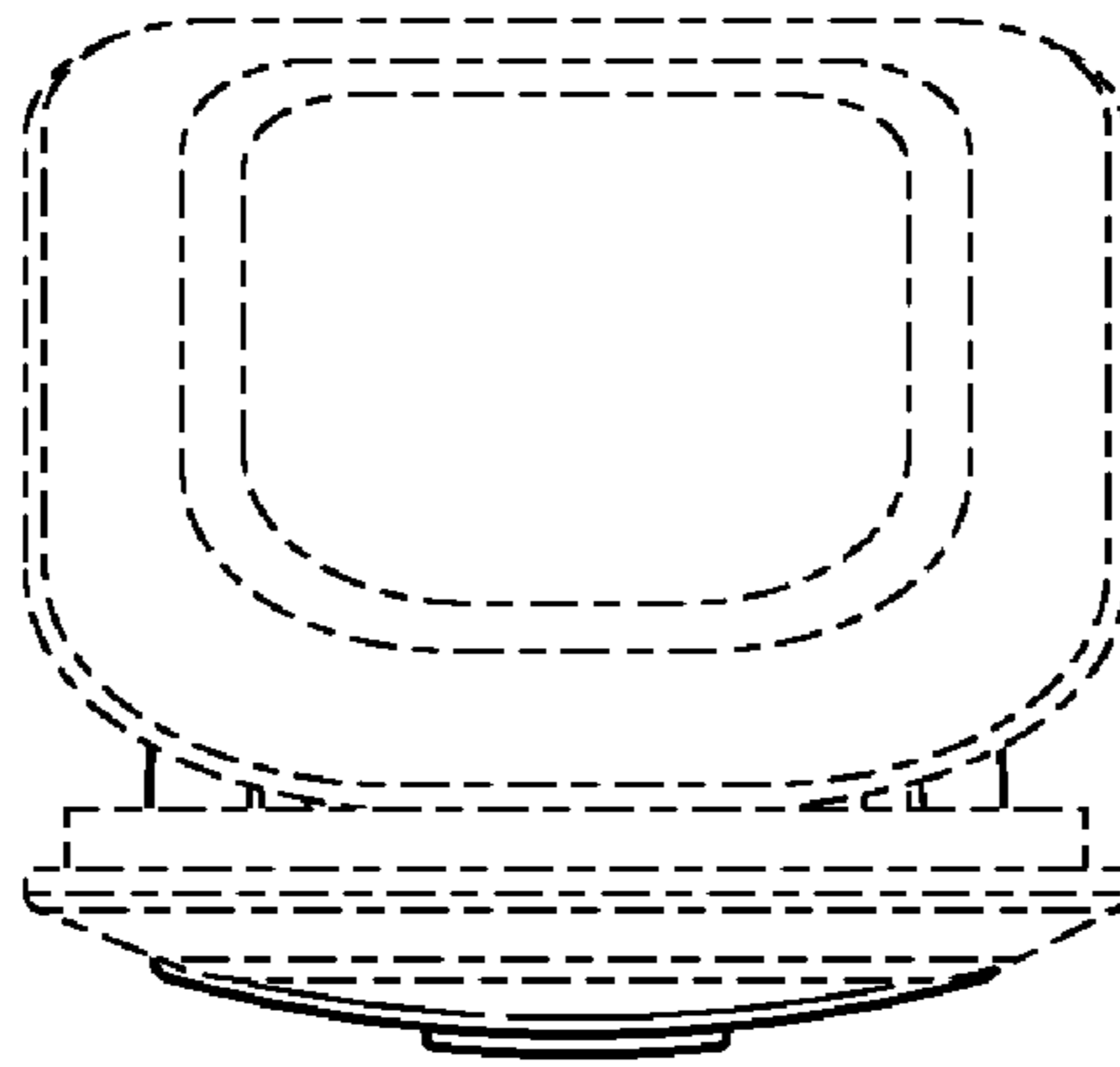


FIG. 2

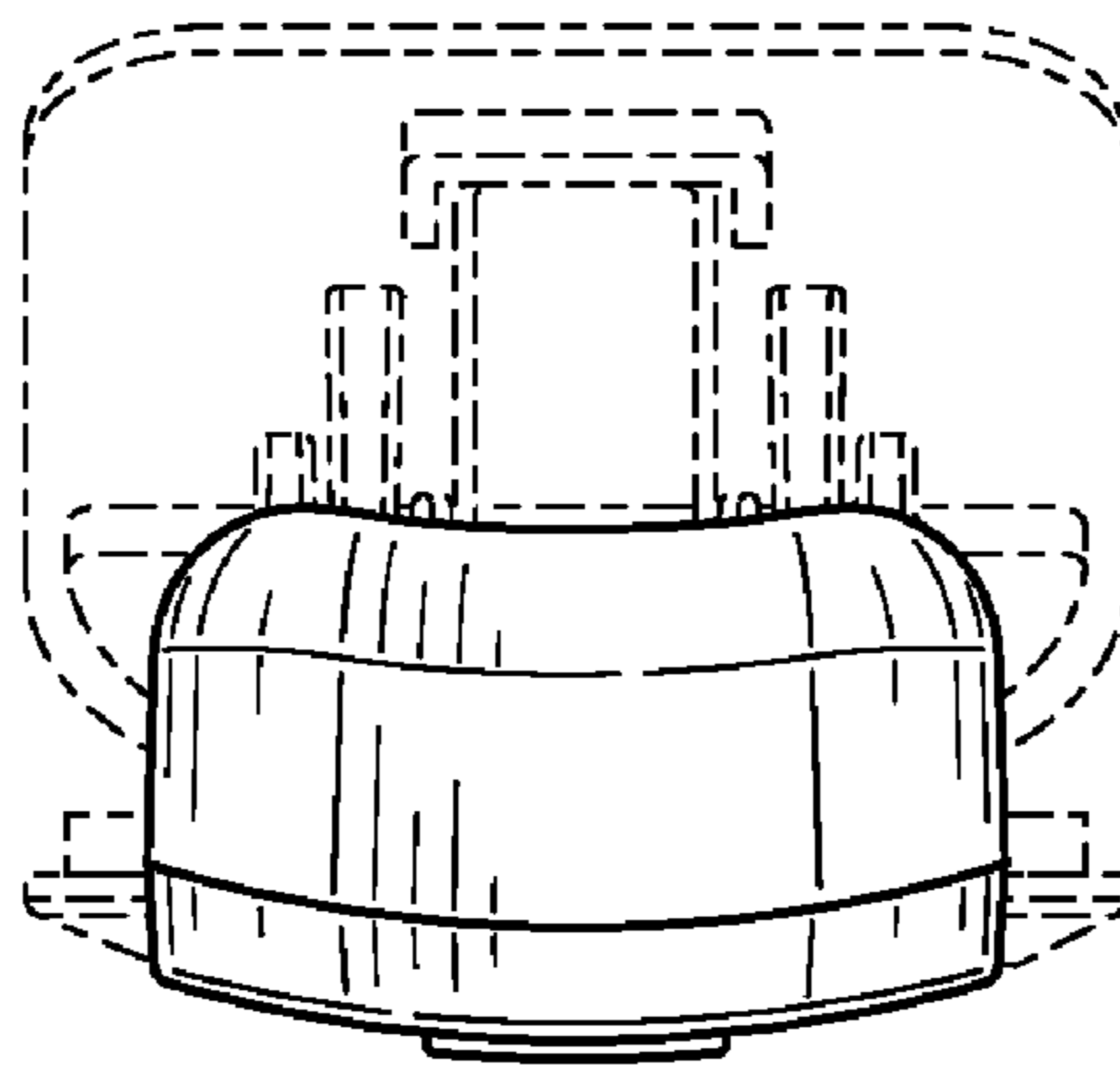


FIG. 3

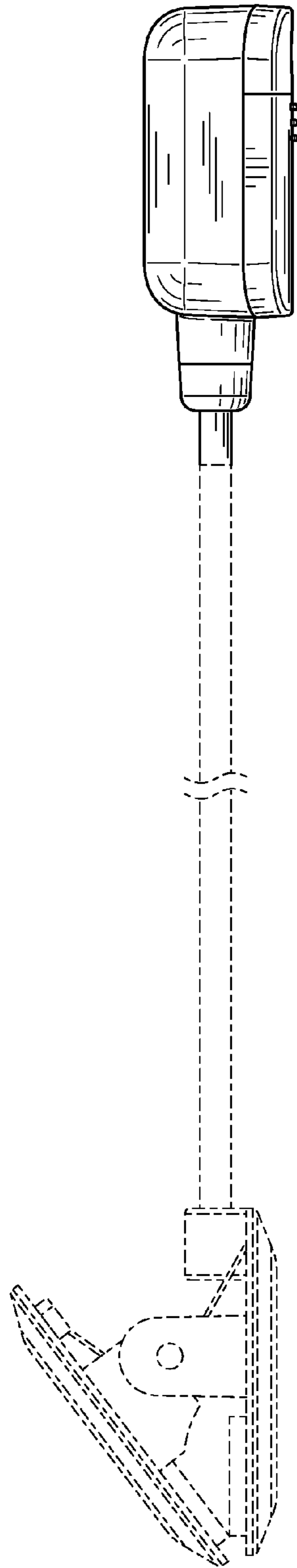


FIG. 4

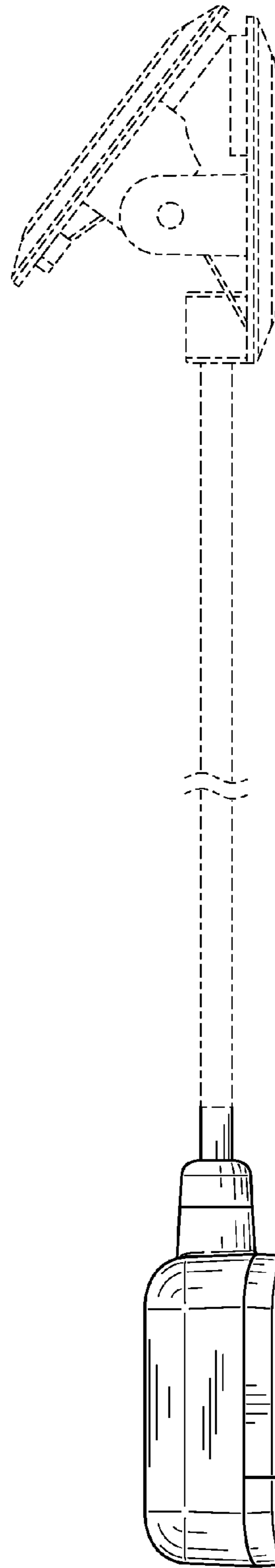


FIG. 5

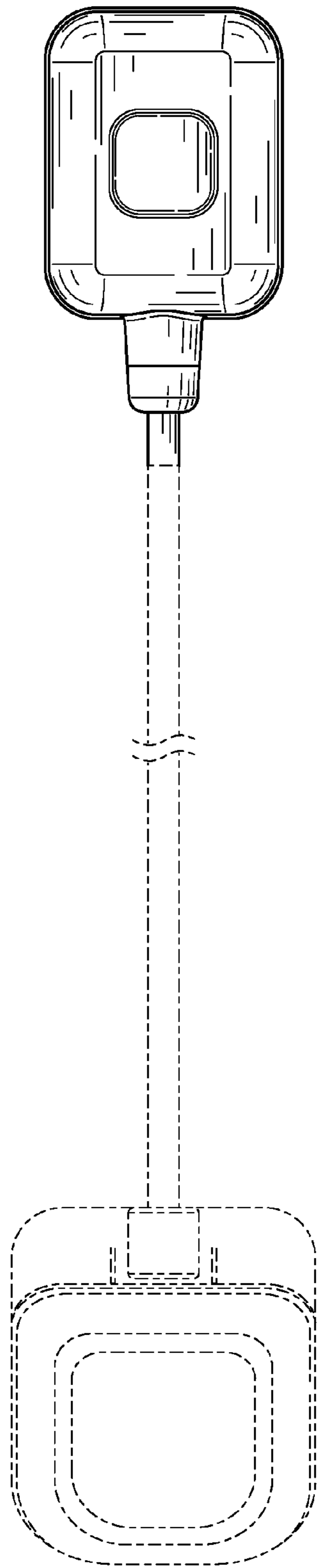


FIG. 6

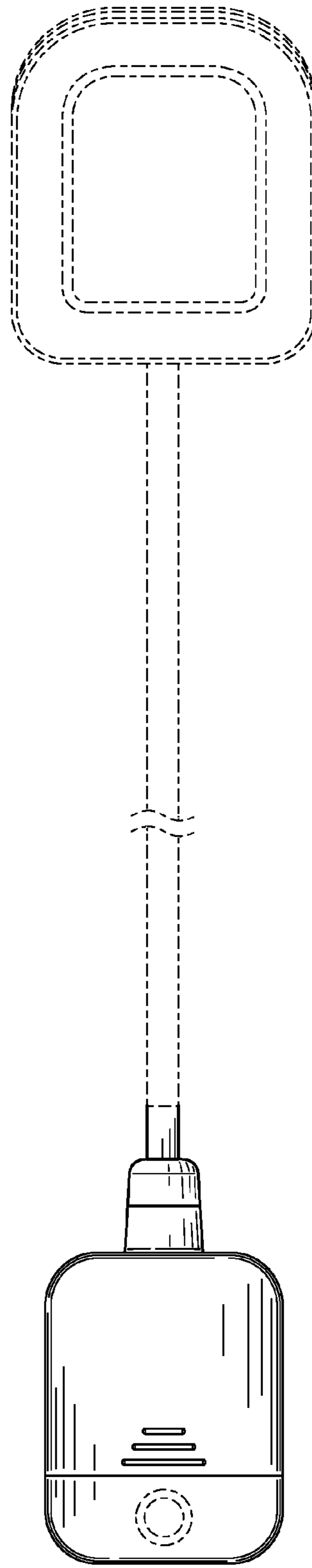


FIG. 7