



US00D630356S

(12) **United States Design Patent**
Robinson et al.

(10) **Patent No.:** **US D630,356 S**

(45) **Date of Patent:** **** Jan. 4, 2011**

(54) **FLASHLIGHT**

(75) Inventors: **Glenn Robinson**, Coral Springs, FL
(US); **Michael Garcia**, Coral Springs,
FL (US)

(73) Assignee: **IBT Holdings, LLC**, Deerfield Beach,
FL (US)

(**) Term: **14 Years**

(21) Appl. No.: **29/349,896**

(22) Filed: **May 18, 2010**

(51) **LOC (9) Cl.** **26-02**

(52) **U.S. Cl.** **D26/49**

(58) **Field of Classification Search** D26/37,
D26/38, 39, 40, 48, 45, 46, 49, 50; 362/157,
362/158, 183, 184, 194–208

See application file for complete search history.

(56) **References Cited**

U.S. PATENT DOCUMENTS

D503,007 S *	3/2005	Duscha et al.	D26/49
D527,481 S *	8/2006	Opolka	D26/49
D572,395 S *	7/2008	Guelzow et al.	D26/49
D580,080 S *	11/2008	Ho	D26/49
D596,772 S *	7/2009	Chang	D26/49

D617,482 S *	6/2010	Garcia et al.	D26/49
D618,838 S *	6/2010	Smith	D26/49
D624,677 S *	9/2010	Deguglimo et al.	D26/49
D625,447 S *	10/2010	Brown et al.	D26/49
D625,448 S *	10/2010	Brown et al.	D26/49

* cited by examiner

Primary Examiner—Charles A Rademaker

Assistant Examiner—Carissa C Fitts

(74) *Attorney, Agent, or Firm*—Dan De La Rosa

(57) **CLAIM**

The ornamental design for a flashlight, as shown and described.

DESCRIPTION

FIG. 1 is a front perspective view of the flashlight of the present invention showing my new design;

FIG. 2 is a front side elevational view thereof;

FIG. 3 is a back side elevational view thereof;

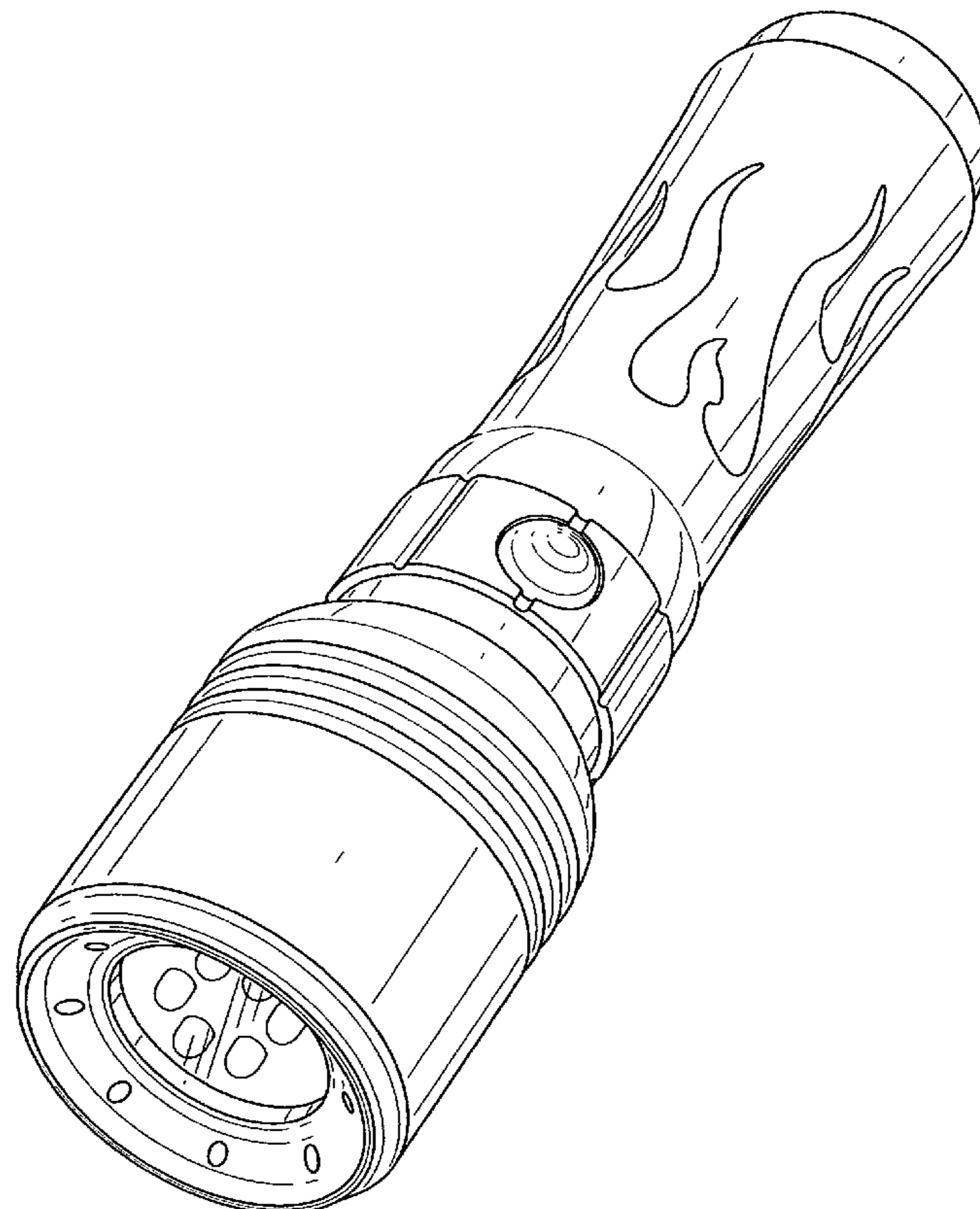
FIG. 4 is a side elevational view thereof;

FIG. 5 is another side elevational view thereof;

FIG. 6 is a top plan view thereof; and,

FIG. 7 is a bottom plan view thereof.

1 Claim, 6 Drawing Sheets



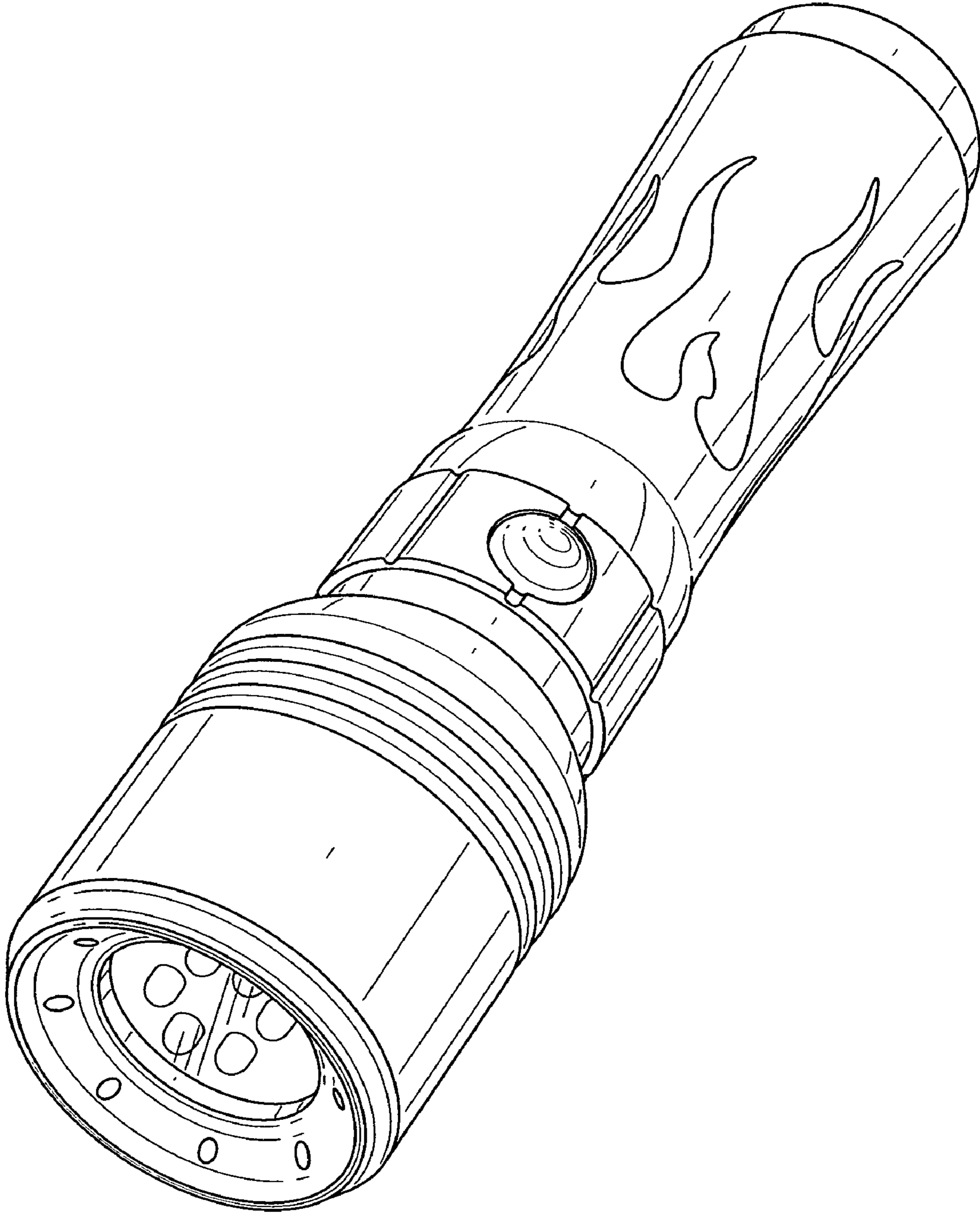


FIG. 1

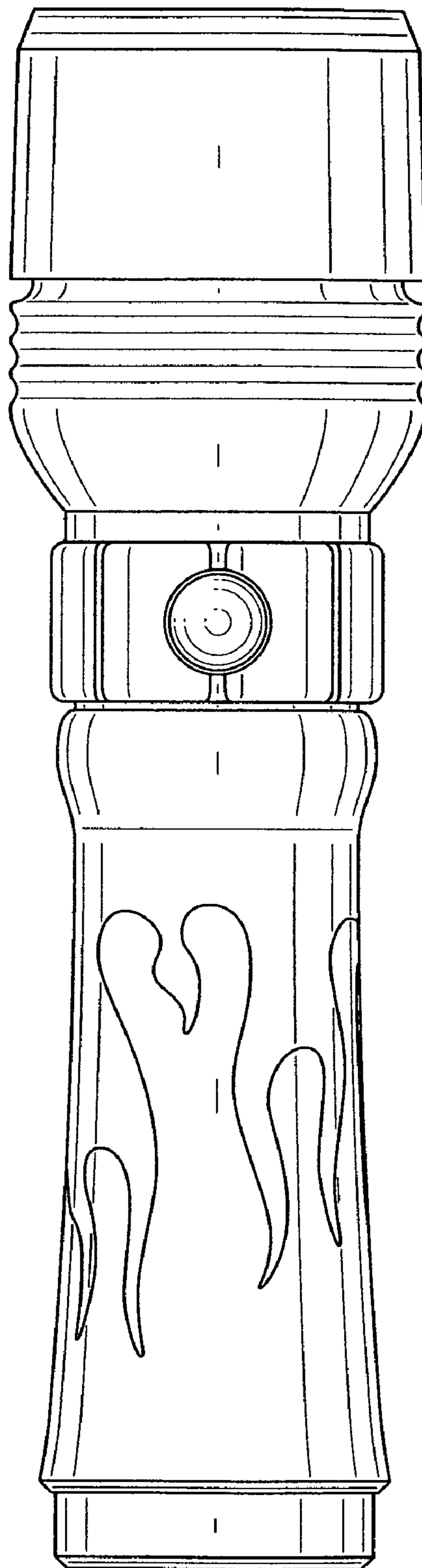


FIG. 2

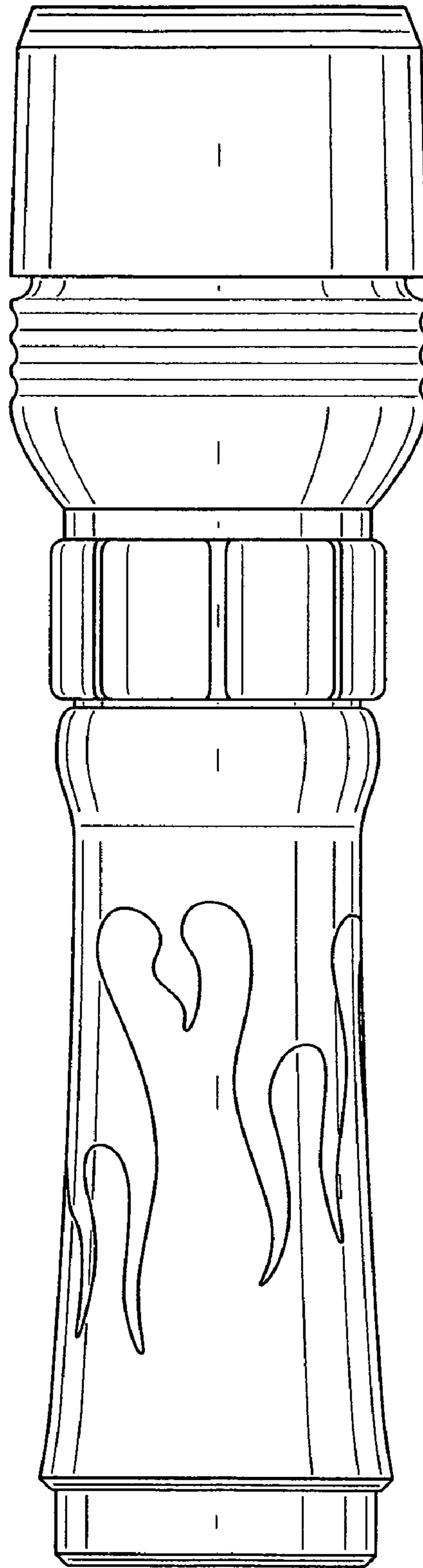


FIG. 3

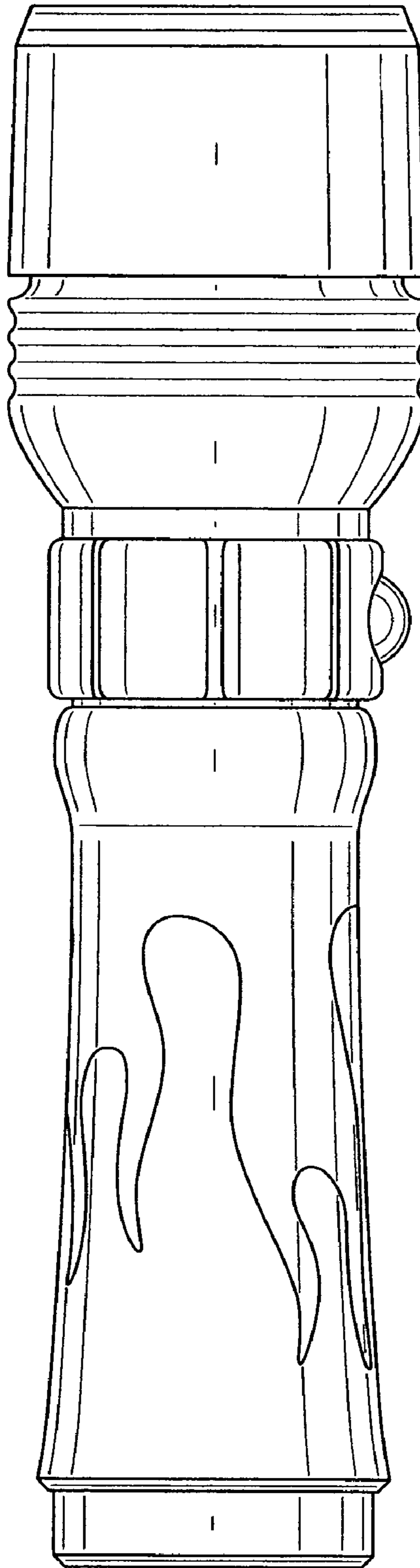


FIG. 4

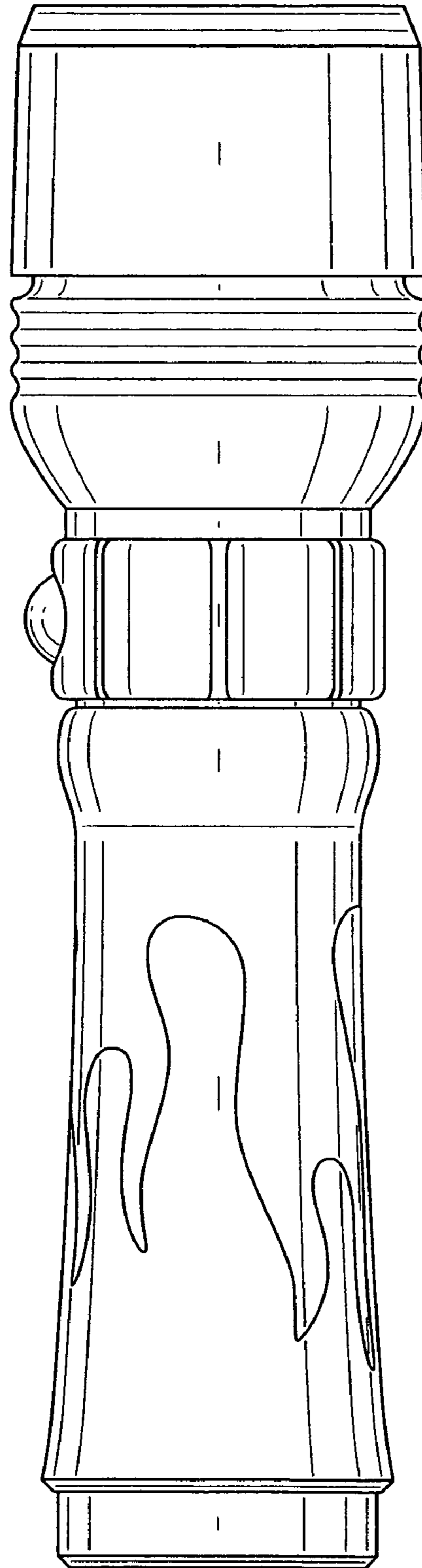


FIG. 5

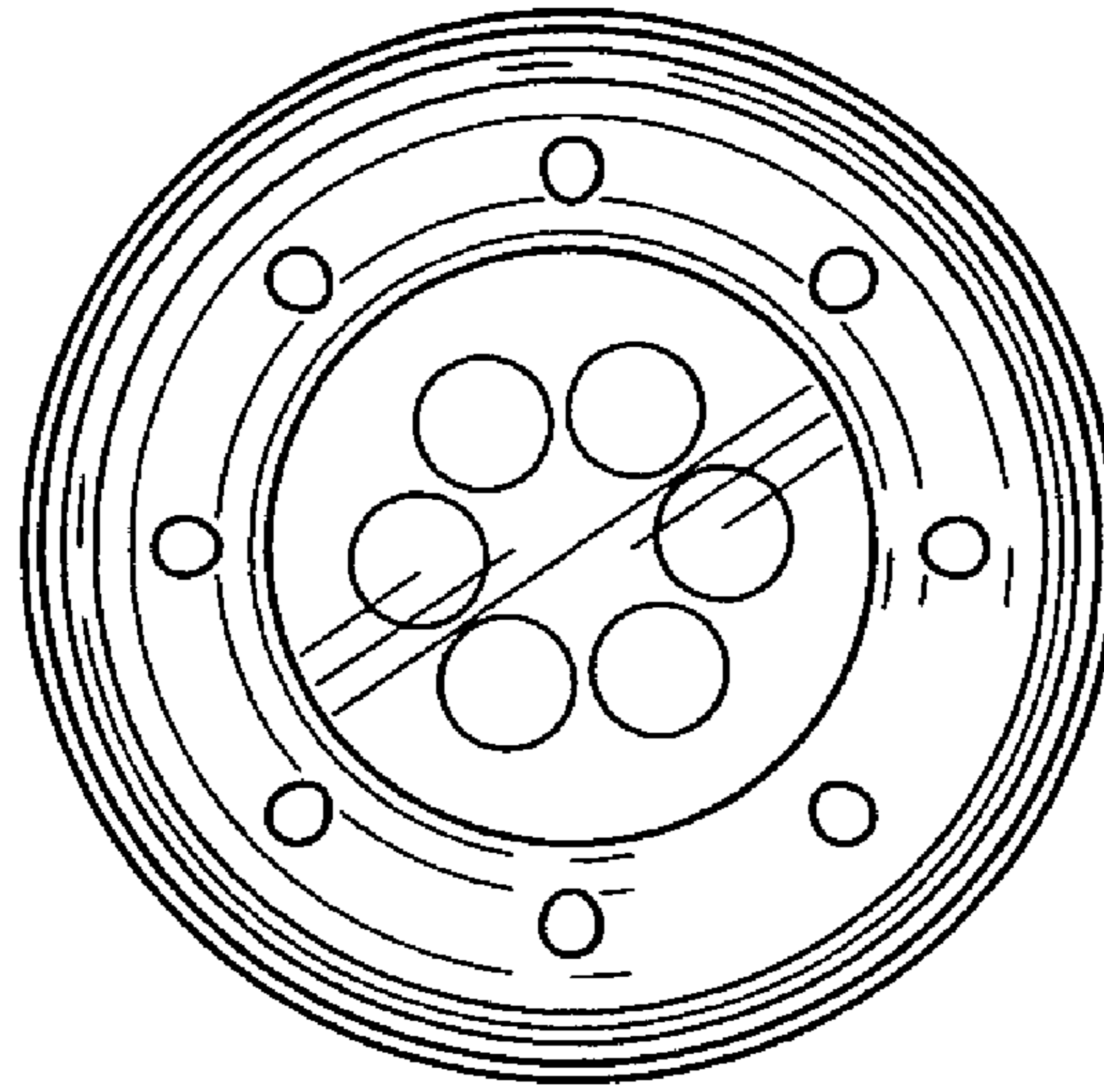


FIG. 6

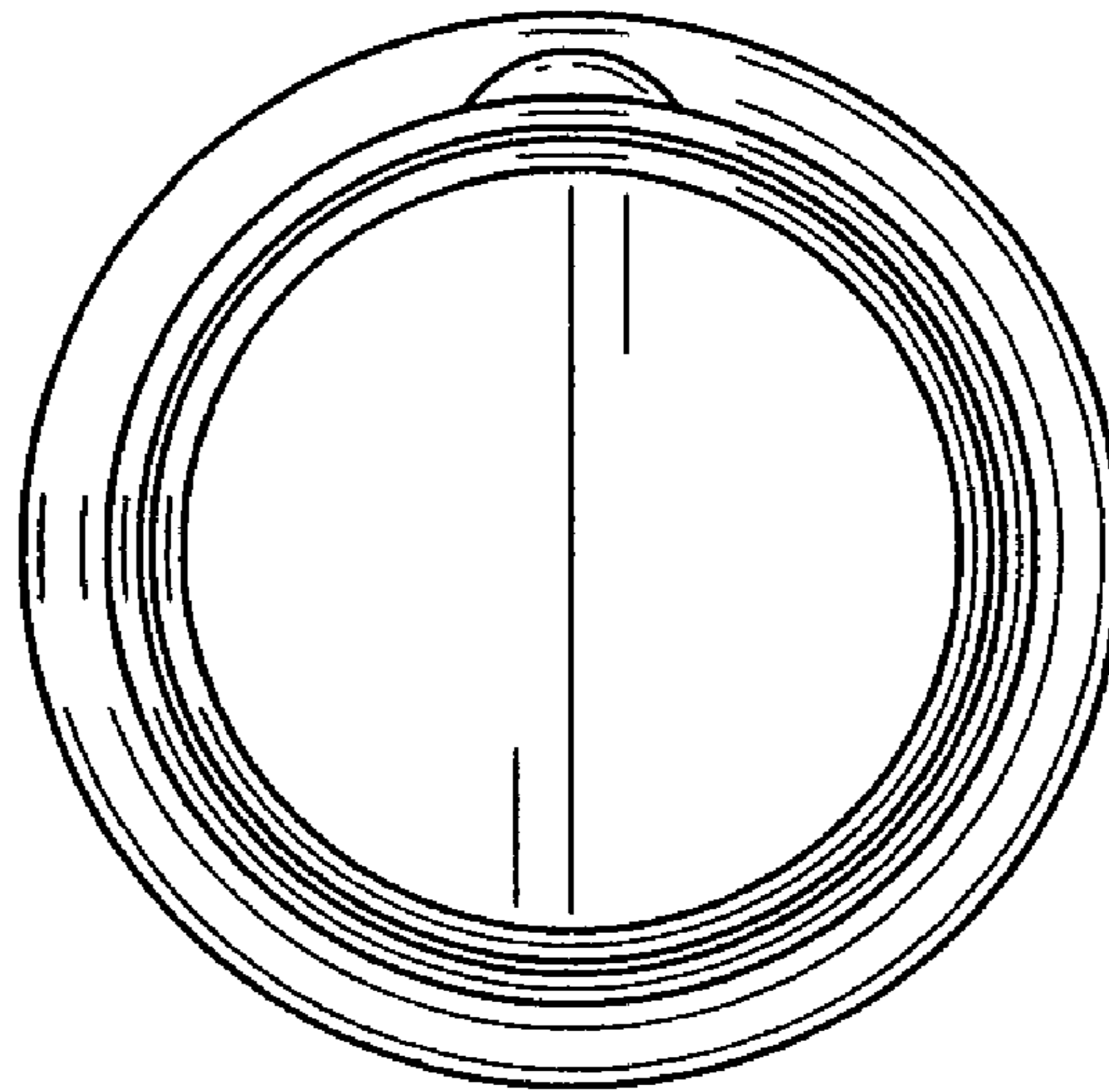


FIG. 7