



US00D630355S

(12) **United States Design Patent**  
**Gülker**

(10) **Patent No.:** **US D630,355 S**  
(45) **Date of Patent:** **\*\* Jan. 4, 2011**

(54) **OLED LAMP**

(75) Inventor: **Jonas Anthonino F. Gülker**, Köln (DE)

(73) Assignee: **Koninklijke Philips Electronics N.V.**,  
Eindhoven (NL)

(\*\*) Term: **14 Years**

(21) Appl. No.: **29/357,677**

(22) Filed: **Mar. 16, 2010**

(30) **Foreign Application Priority Data**

Sep. 17, 1920 (EM) ..... 001612771-0001

(51) **LOC (9) Cl.** ..... **26-02**

(52) **U.S. Cl.** ..... **D26/37**

(58) **Field of Classification Search** ..... D26/37-44,  
D26/46, 49, 60; 362/157, 158, 176, 183,  
362/184, 194-208

See application file for complete search history.

(56) **References Cited**

U.S. PATENT DOCUMENTS

D330,602 S \* 10/1992 Bay et al. .... D26/39  
D383,228 S \* 9/1997 Petruzzi ..... D26/37  
D401,371 S \* 11/1998 Chen ..... D26/38  
D415,585 S \* 10/1999 Leung ..... D26/37  
D445,932 S \* 7/2001 Ceder ..... D26/42

D523,160 S \* 6/2006 Chen ..... D26/37  
D526,734 S \* 8/2006 Brown ..... D26/60  
D527,129 S \* 8/2006 Hodgson ..... D26/42  
D545,983 S \* 7/2007 Bennett, Jr. .... D26/37  
D580,574 S \* 11/2008 Leslie et al. .... D26/37  
D582,590 S \* 12/2008 Ding et al. .... D26/37  
D589,186 S \* 3/2009 Coughaine et al. .... D26/37  
D591,882 S \* 5/2009 Chen ..... D26/60  
D601,734 S \* 10/2009 Feng ..... D26/46  
D612,081 S \* 3/2010 Ding et al. .... D26/37

\* cited by examiner

*Primary Examiner*—Charles A Rademaker

*Assistant Examiner*—Carissa C Fitts

(57) **CLAIM**

The ornamental design for an OLED lamp, as shown.

**DESCRIPTION**

FIG. 1 is a perspective view showing my design;

FIG. 2 is a front elevational view thereof;

FIG. 3 is a rear elevational view thereof;

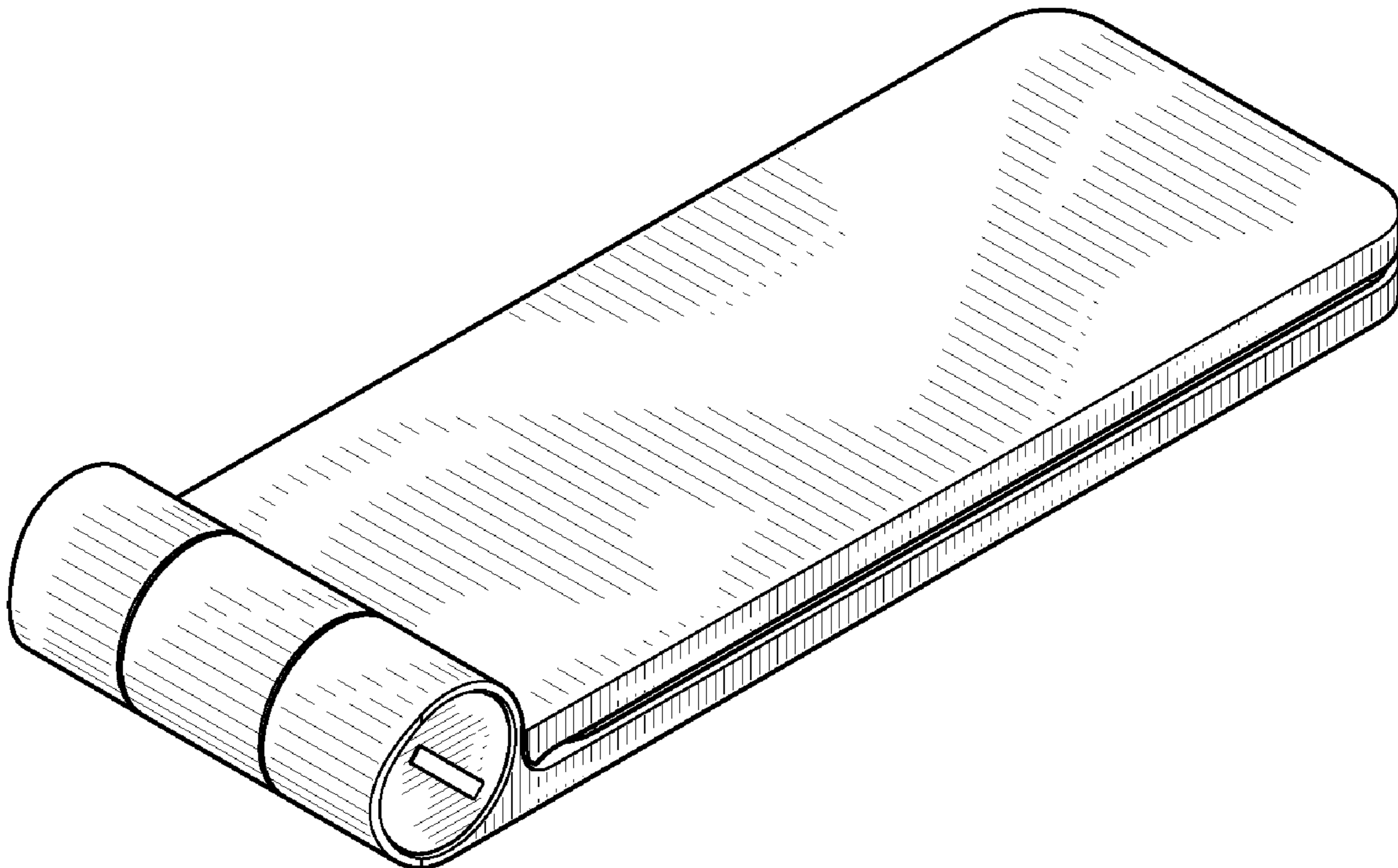
FIG. 4 is a right side elevational view thereof;

FIG. 5 is a left side elevational view thereof;

FIG. 6 is a top plan view thereof; and,

FIG. 7 is a bottom plan view thereof.

**1 Claim, 3 Drawing Sheets**



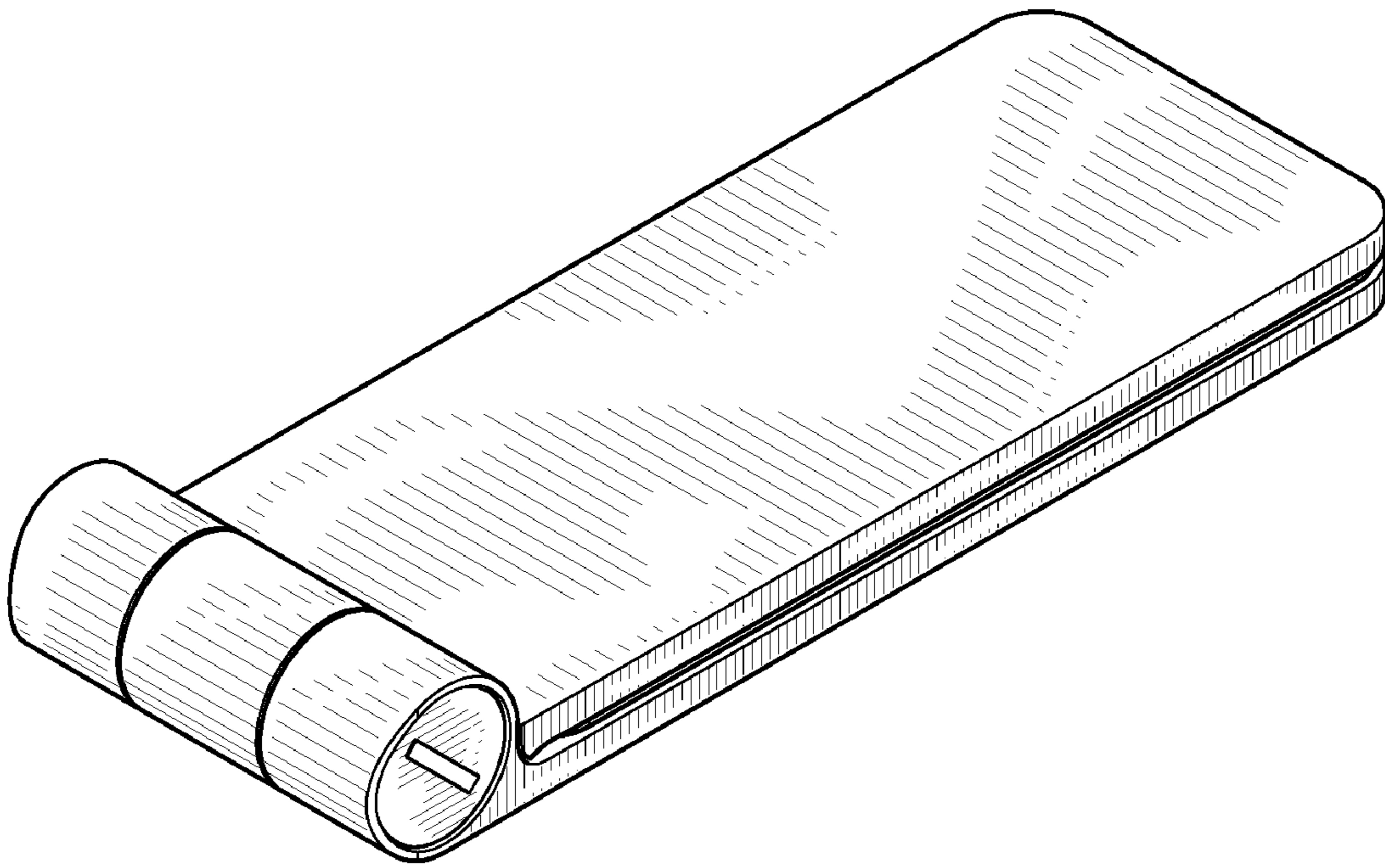


FIG. 1

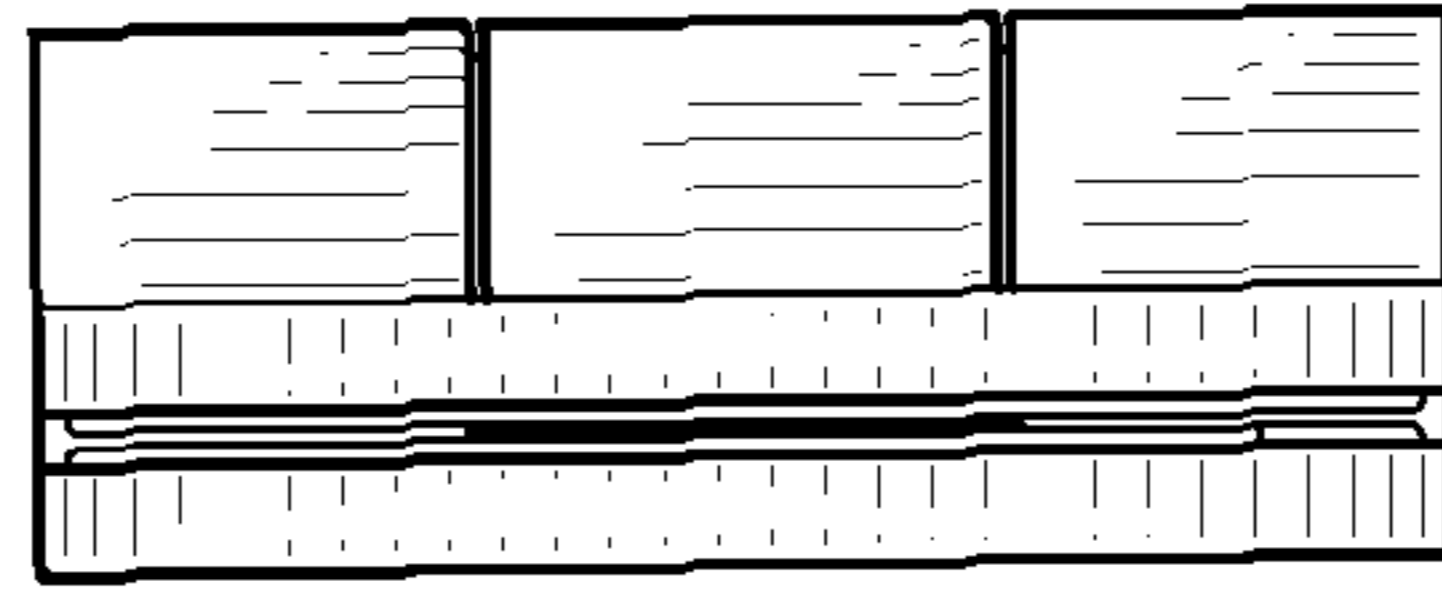


FIG. 2

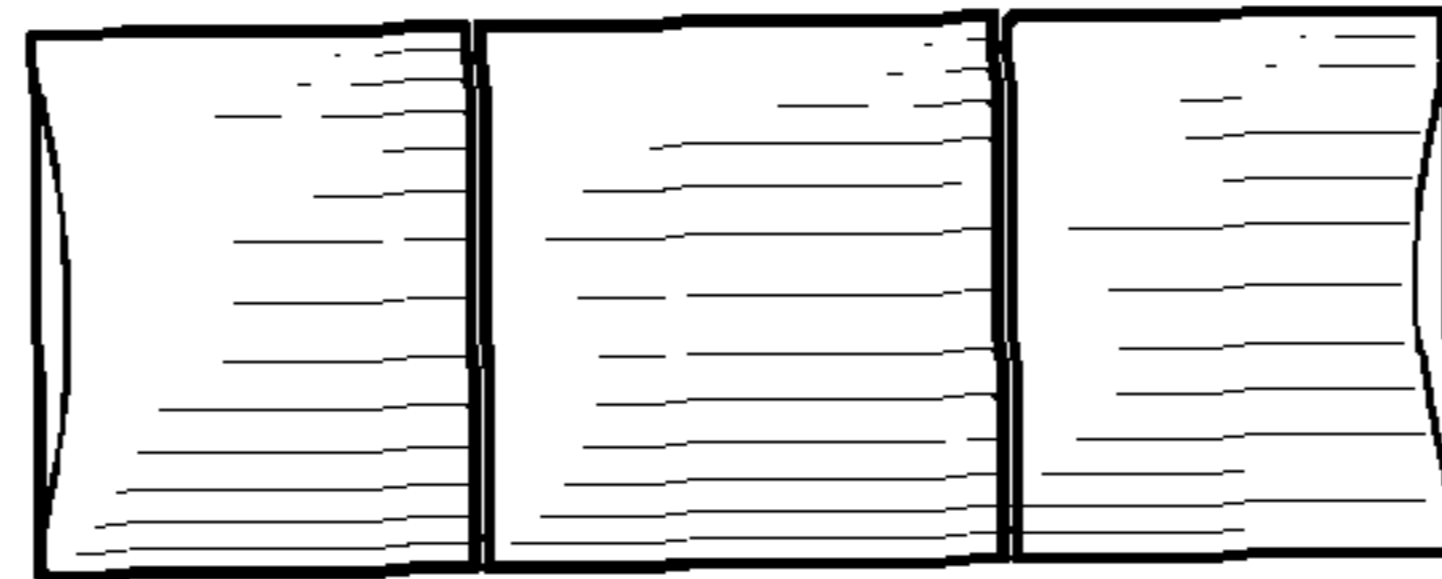


FIG. 3

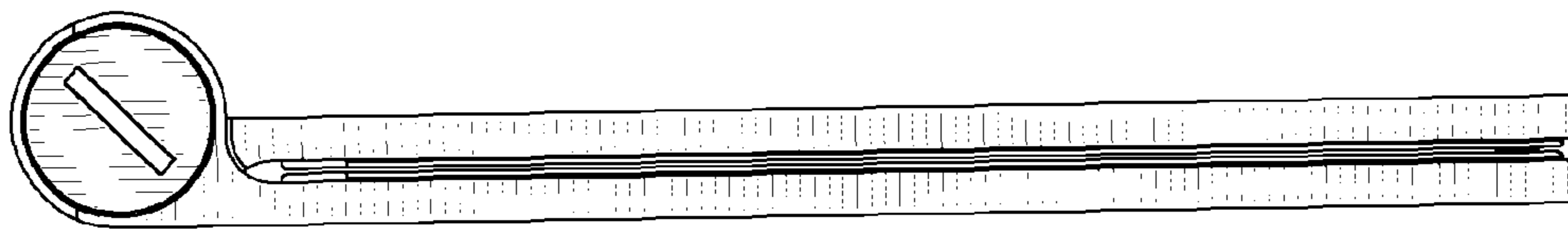


FIG. 4

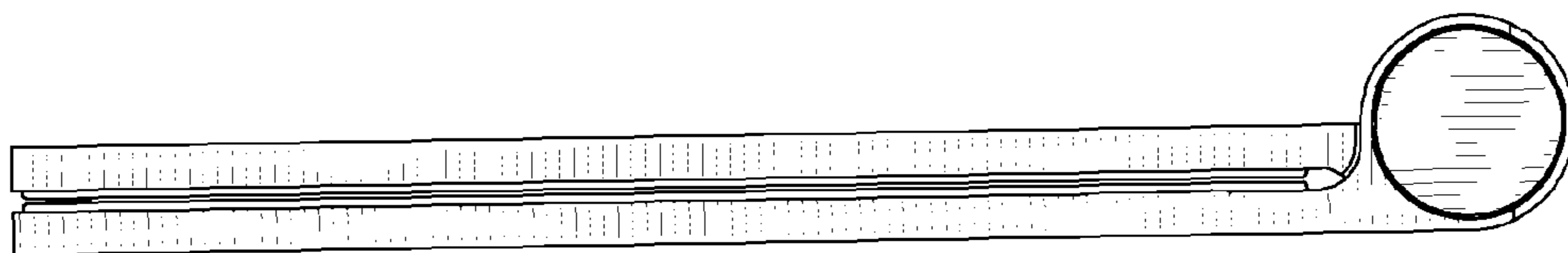


FIG. 5

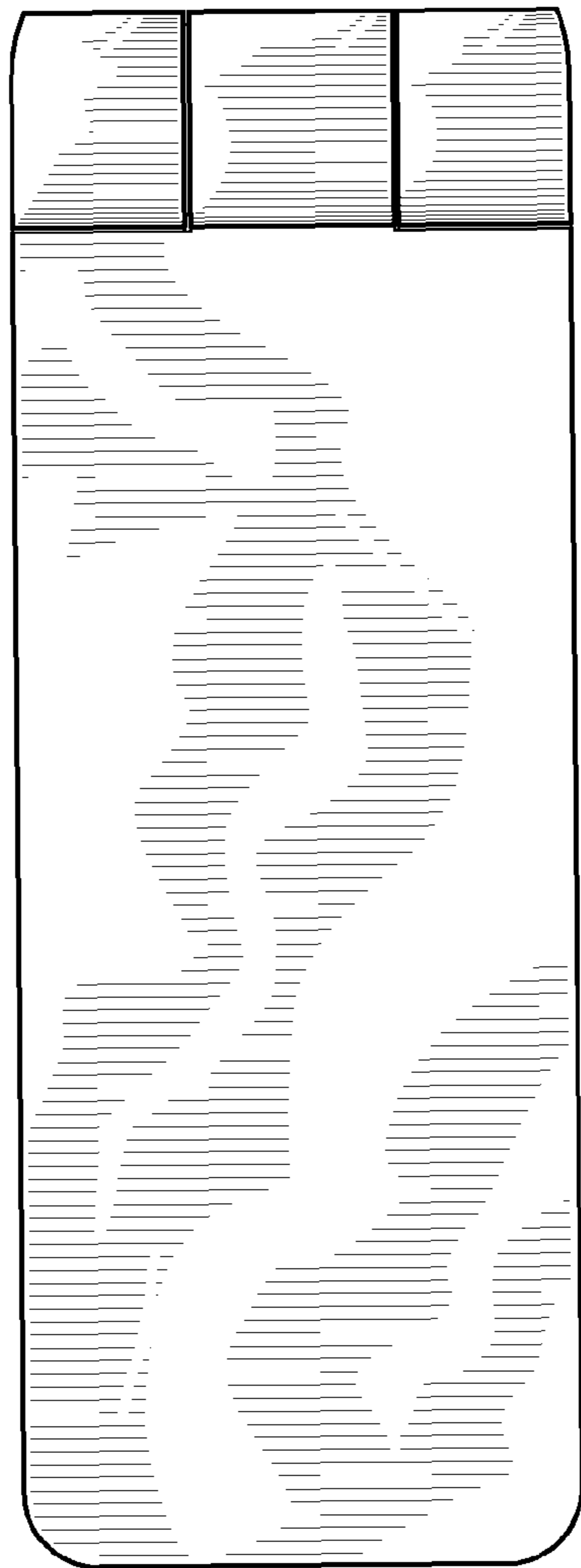


FIG. 6

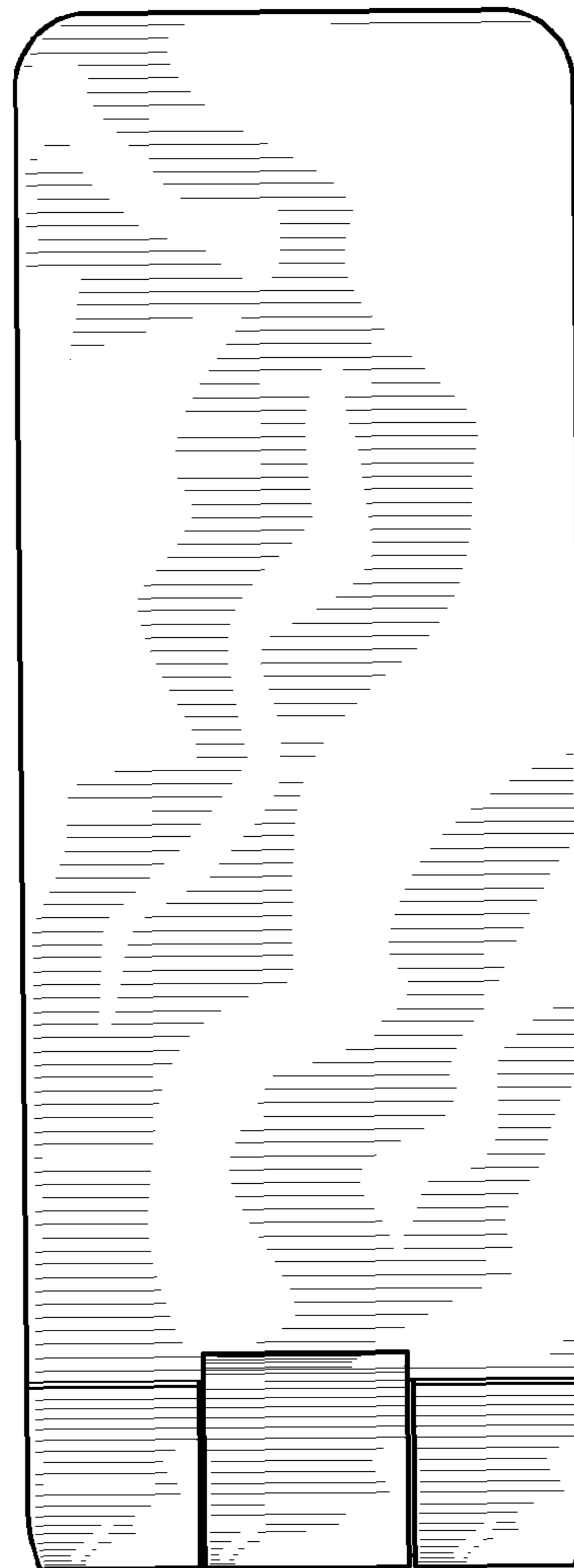


FIG. 7