



(12) **United States Design Patent**
Lin

(10) **Patent No.:** **US D630,350 S**
(45) **Date of Patent:** **** Jan. 4, 2011**

(54) **RING LIGHT**

7,706,063 B2 4/2010 Chou

(76) **Inventor:** **Eddy Lin**, 750 Crestview Dr., Diamond Bar, CA (US) 91765

(**) **Term:** **14 Years**

(21) **Appl. No.:** **29/355,880**

(22) **Filed:** **Feb. 16, 2010**

(51) **LOC (9) Cl.** **26-05**

(52) **U.S. Cl.** **D26/24; D26/74**

(58) **Field of Classification Search** D26/74,
D26/72, 24, 36, 59, 118, 133, 134; 362/145,
362/147, 148, 150, 151, 153, 218, 217.06,
362/217.07, 294, 296.01, 296.06, 296.07,
362/296.08, 311.07, 311.09, 364, 365, 373,
362/89, 804; 359/385, 387, 389, 390; D16/131,
D16/134

See application file for complete search history.

(56) **References Cited**

U.S. PATENT DOCUMENTS

2,103,230	A	6/1937	Benford et al.	
2,691,918	A	10/1954	Robins et al.	
D209,096	S *	10/1967	Esmay et al.	D16/131
4,729,070	A *	3/1988	Chiu	362/33
D386,277	S *	11/1997	Lecluze	D26/74
D407,524	S *	3/1999	Lecluze	D26/118
D447,159	S *	8/2001	Yoneda	D16/131
D473,966	S *	4/2003	Lecluze	D26/74
D508,751	S *	8/2005	Rashidi	D26/74
D509,314	S *	9/2005	Rashidi	D26/74
7,048,402	B2 *	5/2006	Roeth et al.	362/89
D544,979	S *	6/2007	Hartmann et al.	D26/74
D581,089	S *	11/2008	St-Hilaire	D26/118
D609,840	S *	2/2010	Tang	D26/74

OTHER PUBLICATIONS

Tofra, Inc., Computer-controlled RGB LED Illuminator for Upright Microscopes, located at <http://www.tofrainc.net/RGB-LED-Illuminator.htm>, printed Oct. 13, 2009.

* cited by examiner

Primary Examiner—Angela J Lee

(74) *Attorney, Agent, or Firm*—Patzik, Frank & Samotny, Ltd.

(57) **CLAIM**

The ornamental design for a ring light, as shown and described.

DESCRIPTION

FIG. 1 is a front perspective view of the ring light of the present invention;

FIG. 2 is a right side elevation view of the ring light of the present invention;

FIG. 3 is a left side elevation view of the ring light of the present invention;

FIG. 4 is a front elevation view of the ring light of the present invention;

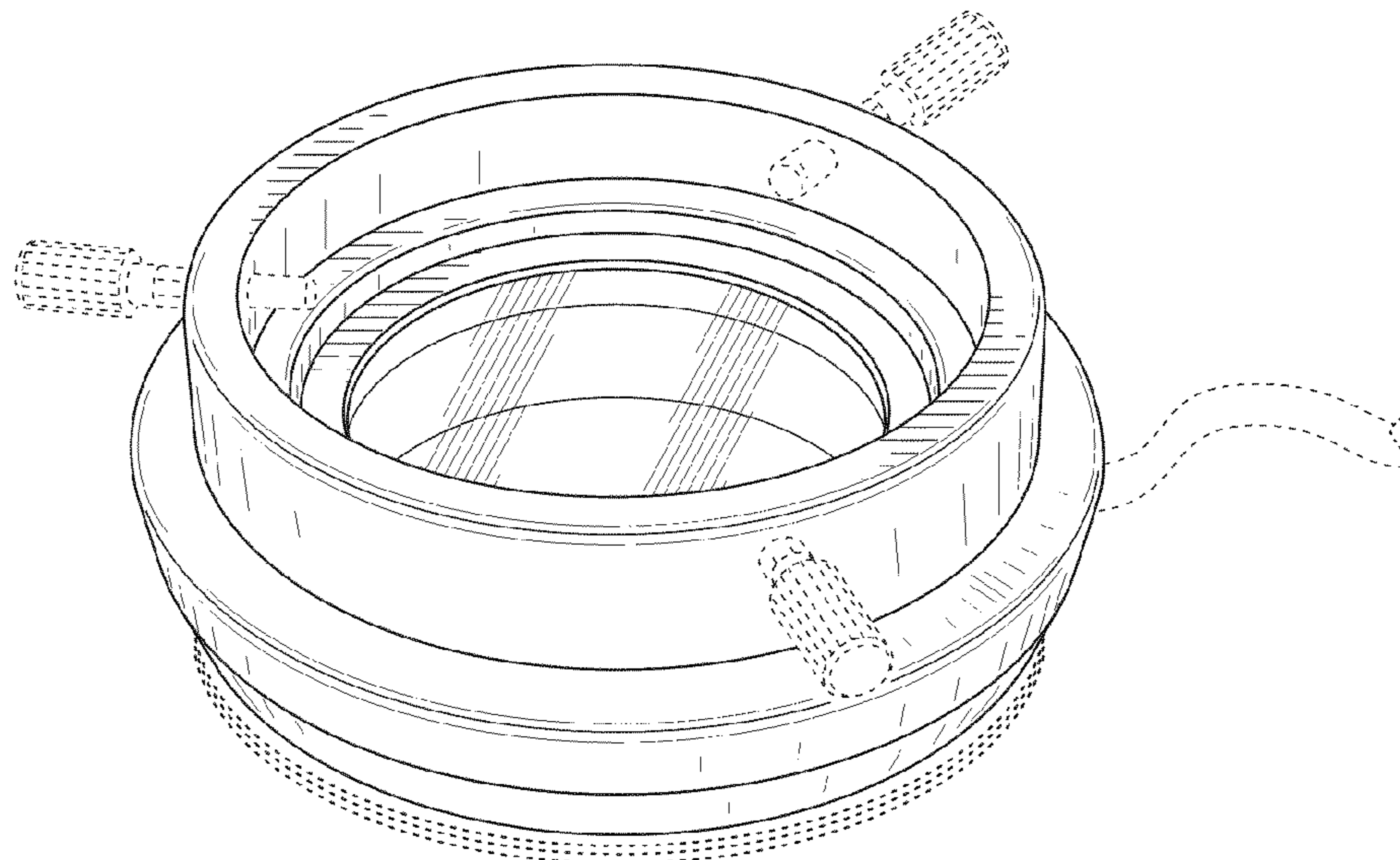
FIG. 5 is a rear elevation view of the ring light of the present invention;

FIG. 6 is a top plan view of the ring light of the present invention; and,

FIG. 7 is a bottom plan view of the ring light of the present invention.

The portions of the ring light shown in broken lines form no part of the claimed design.

1 Claim, 4 Drawing Sheets



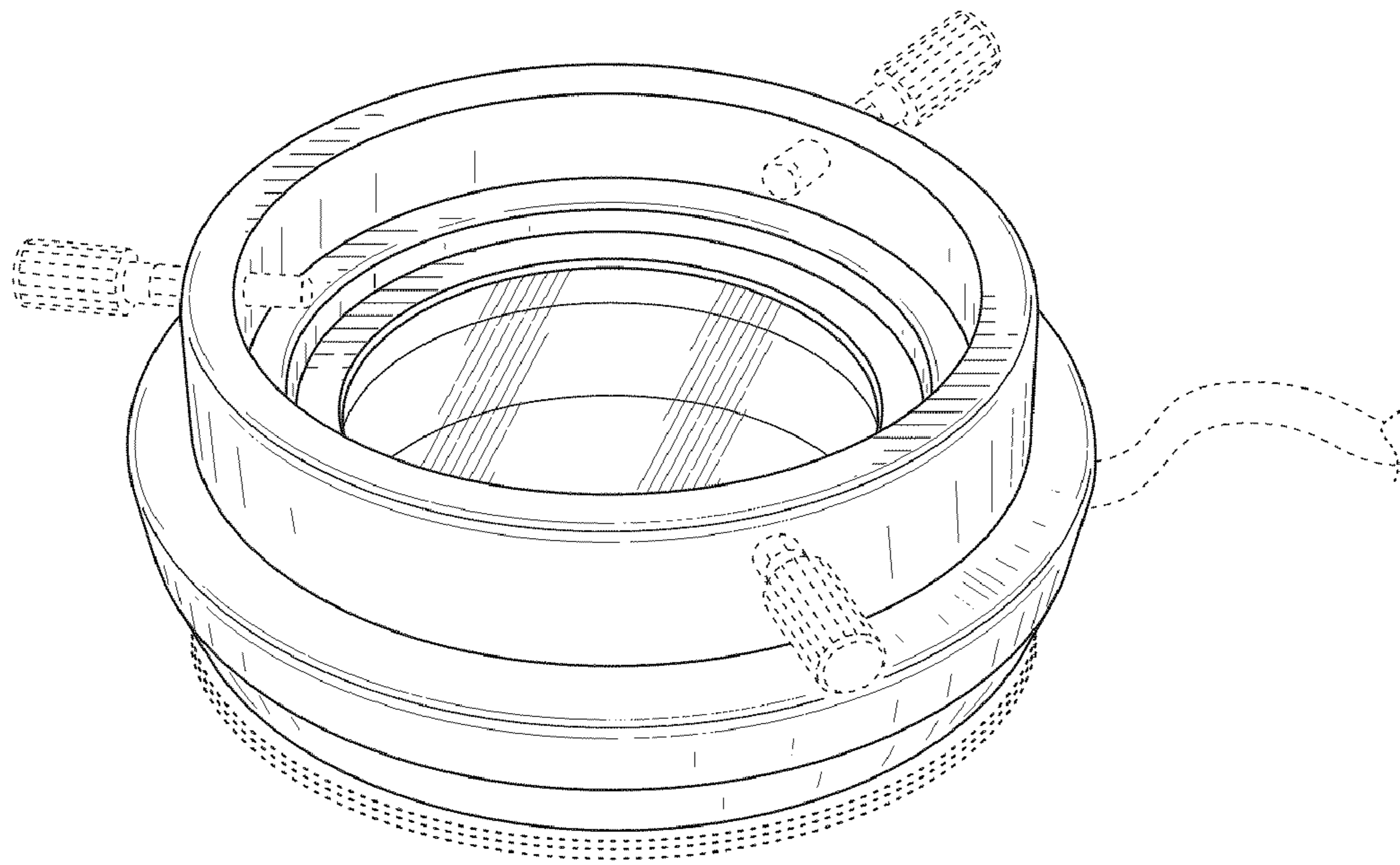


FIG. 1

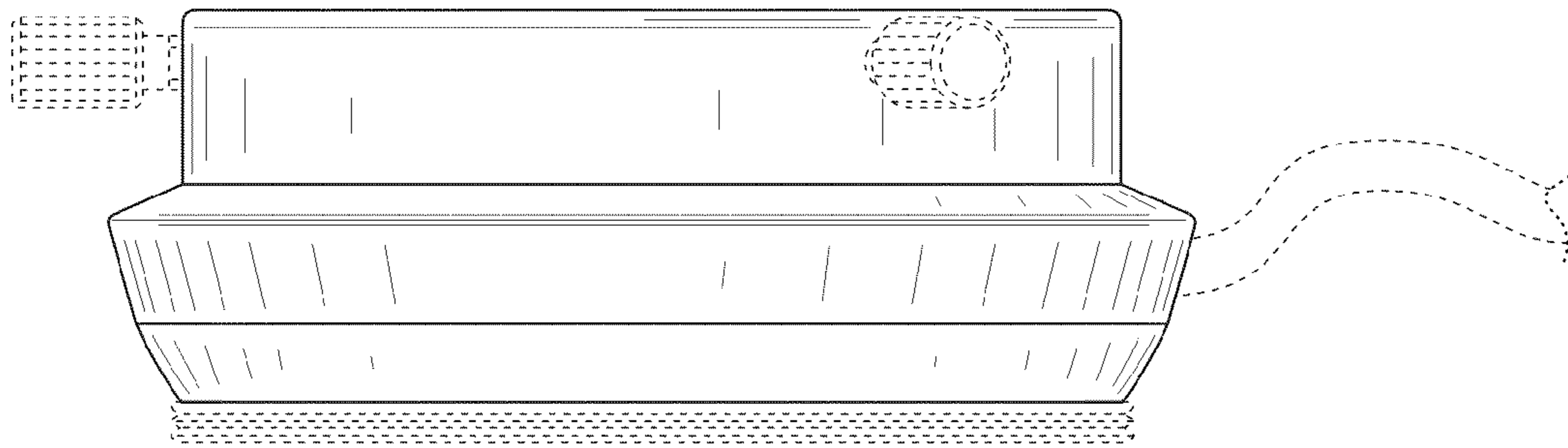


FIG. 2

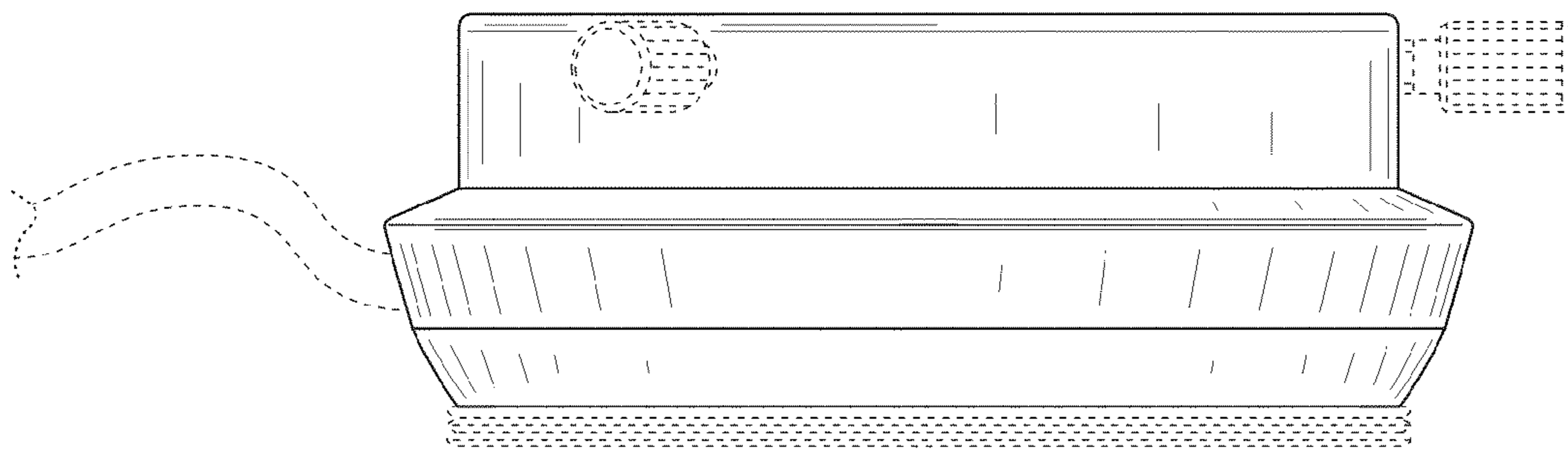


FIG. 3

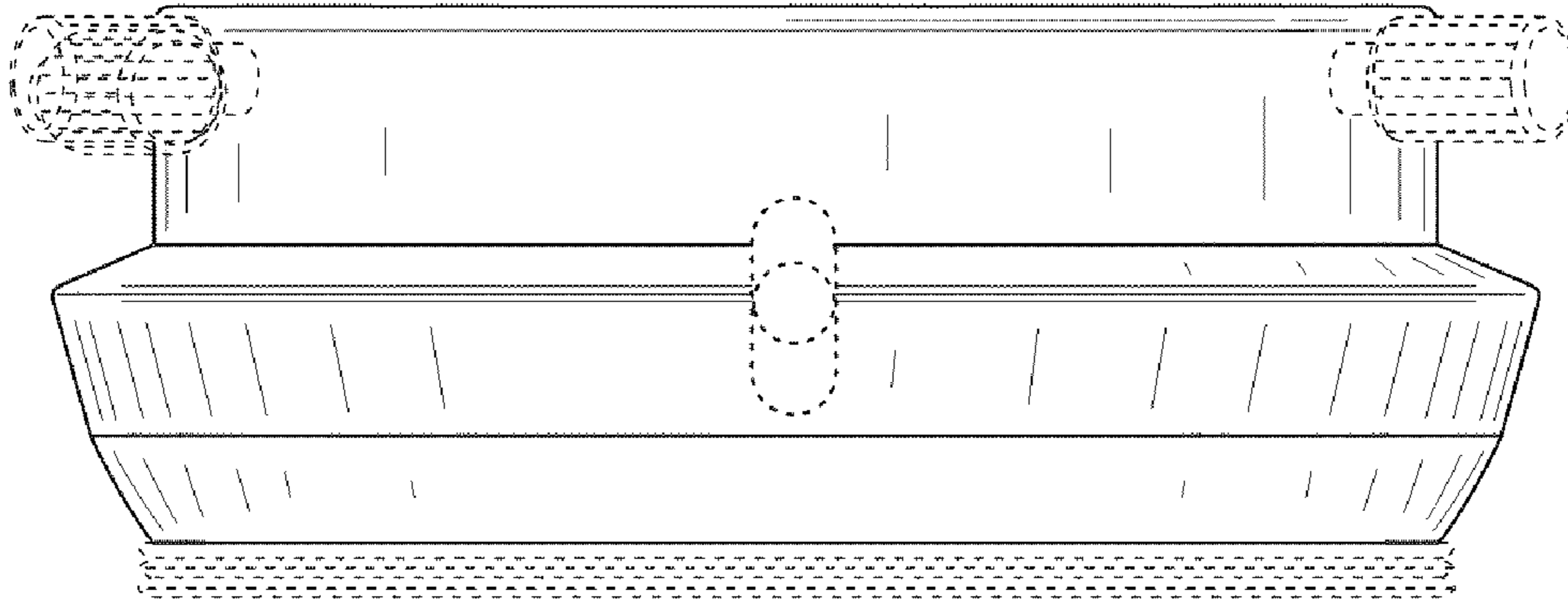


FIG. 4

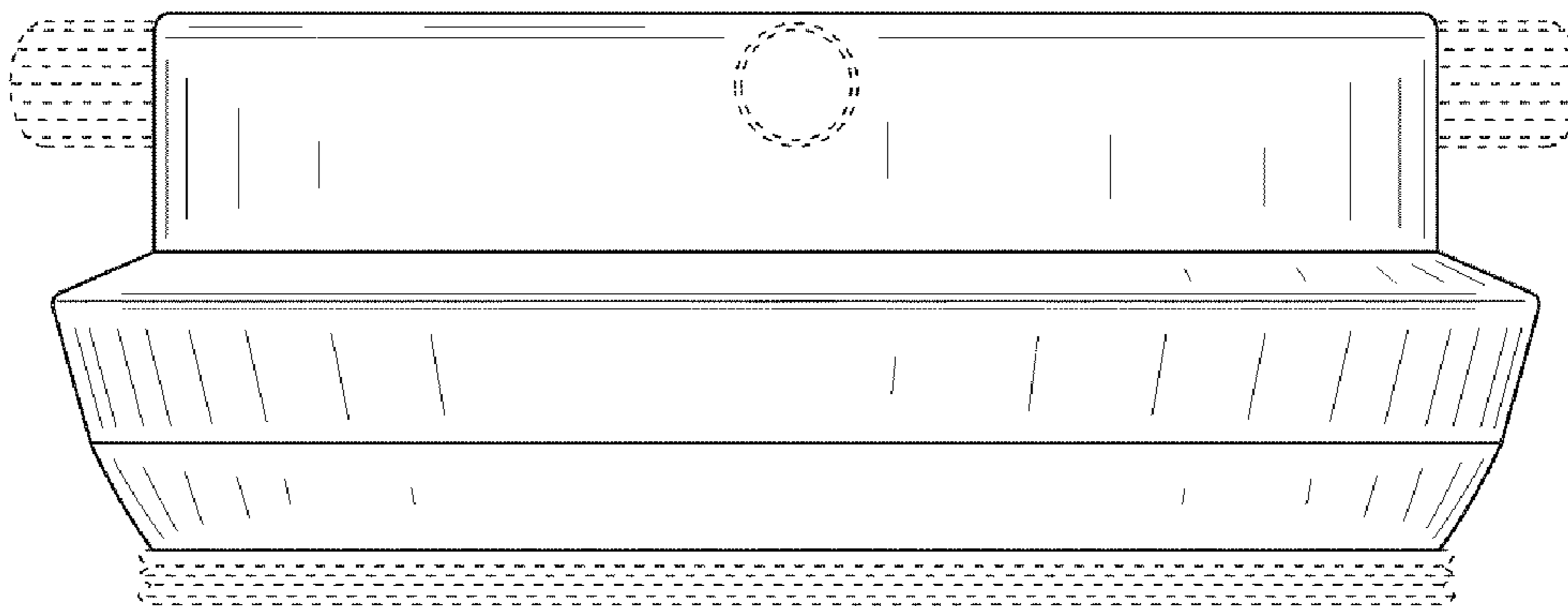


FIG. 5

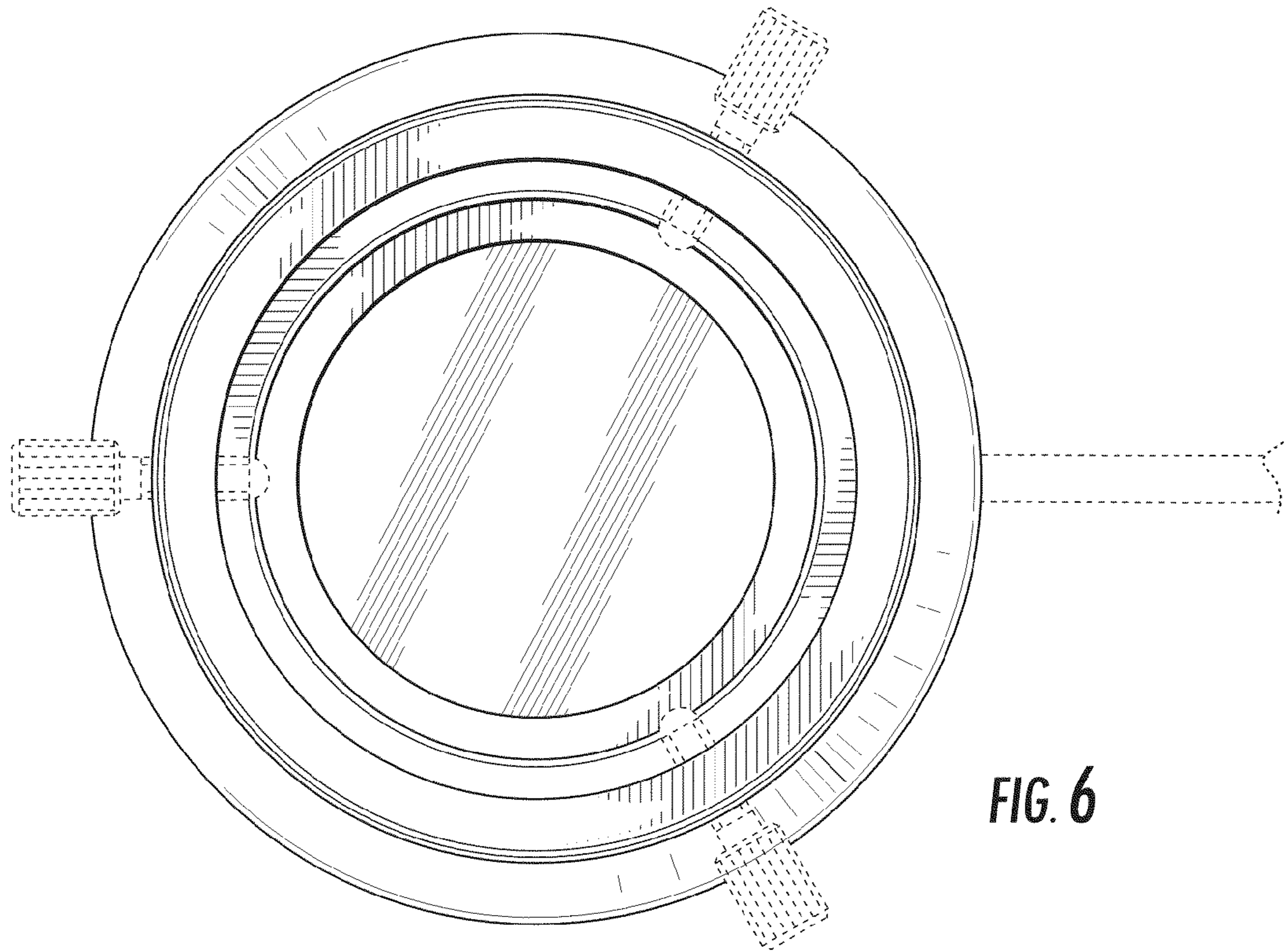


FIG. 6

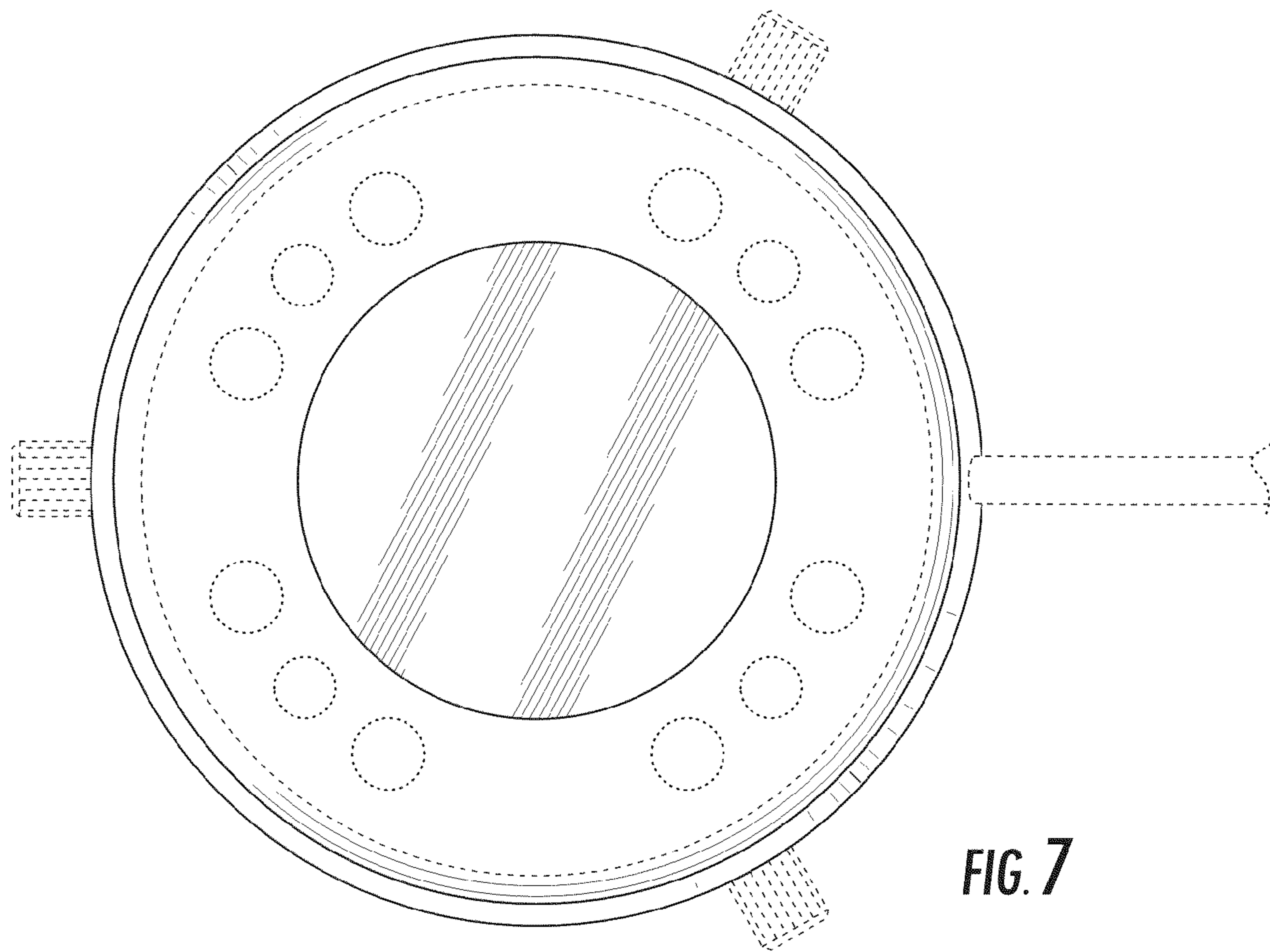


FIG. 7