



US00D630347S

(12) **United States Design Patent**
Pei et al.

(10) **Patent No.:** **US D630,347 S**
(45) **Date of Patent:** **** Jan. 4, 2011**

(54) **LAMP**
(75) Inventors: **Chien-Chang Pei**, Tucheng (TW);
Yi-Hung Chen, Tucheng (TW);
Sheng-Tzu Yang, Tucheng (TW)
(73) Assignee: **Everlight Electronics Co., Ltd.**,
Yucheng, Taipei County (TW)
(**) Term: **14 Years**

JP	D1362372	6/2009
JP	D1364149	7/2009
JP	D1367362	8/2009
TW	M317539	8/2007
TW	M342472	10/2008
TW	M353293	3/2009
TW	M373441	2/2010
TW	D126910	3/2010
TW	M341311	4/2010
TW	M356852	4/2010
TW	M362926	4/2010

(21) Appl. No.: **29/357,857**

* cited by examiner

(22) Filed: **Mar. 18, 2010**

Primary Examiner—Marcus A Jackson

(51) **LOC (9) Cl.** **26-04**

(52) **U.S. Cl.** **D26/2**

(58) **Field of Classification Search** D26/1-4;
313/313, 315, 316, 317, 318, 493; 315/52,
315/53, 56, 57, 58

See application file for complete search history.

(74) *Attorney, Agent, or Firm*—Thomas, Kayden,
Horstemeyer & Risley, LLP

(57) **CLAIM**

The ornamental design for a lamp, as shown and described.

(56) **References Cited**

DESCRIPTION

U.S. PATENT DOCUMENTS

FIG. 1 is a perspective view of a lamp showing the claimed design;

FIG. 2 is another perspective view thereof;

FIG. 3 is a front elevational view thereof;

FIG. 4 is a rear side elevational view thereof;

FIG. 5 is a left side elevational view thereof;

FIG. 6 is a right side elevational view thereof;

FIG. 7 is a top plan view thereof; and,

FIG. 8 is a bottom plan view thereof.

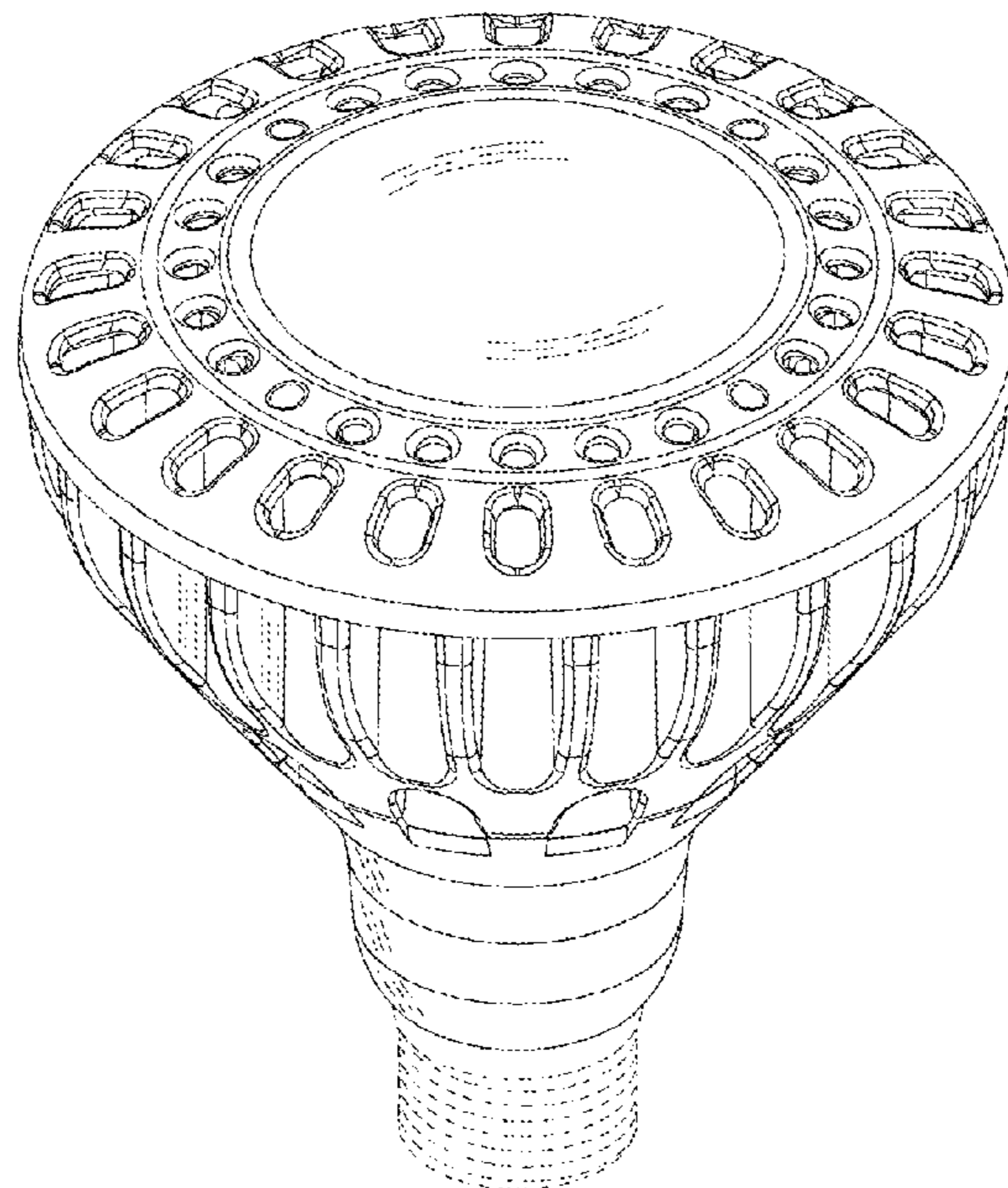
The broken lines are directed to environment and are for illustrative purpose only; the broken lines form no part of the claimed design.

D467,358 S	12/2002	Morris	
D470,610 S *	2/2003	Bobel	D26/2
D508,575 S	8/2005	Buschmann et al.	
D528,678 S *	9/2006	Yen	D26/28
D541,957 S *	5/2007	Wang	D26/2
D560,286 S	1/2008	Maxik et al.	
D566,300 S	4/2008	Lo	
D570,504 S	6/2008	Maxik et al.	
D593,223 S	5/2009	Komar	
D594,996 S	6/2009	Yoon	
D610,274 S *	2/2010	Cho	D26/2

FOREIGN PATENT DOCUMENTS

JP D1354509 3/2009

1 Claim, 5 Drawing Sheets



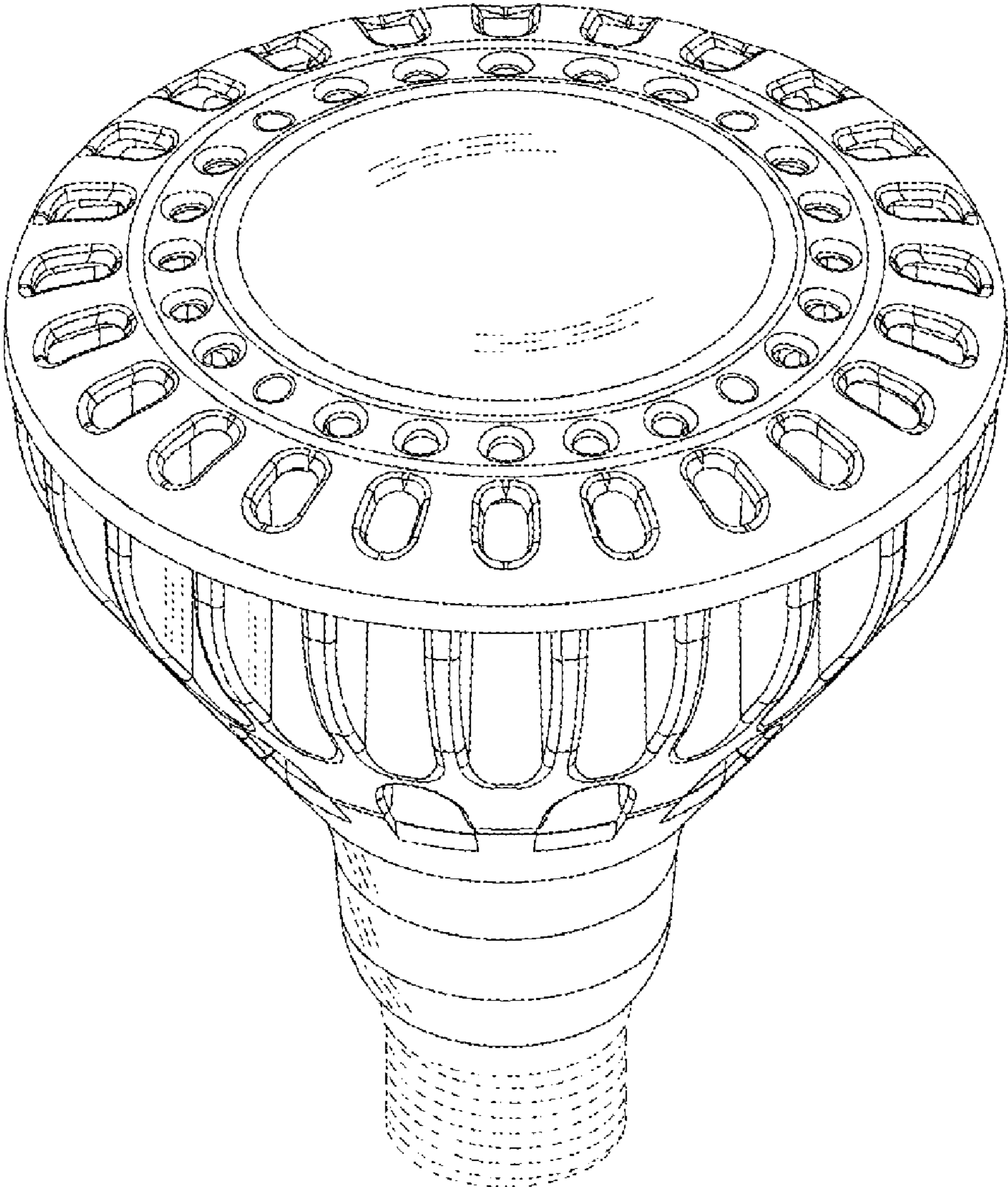


FIG. 1

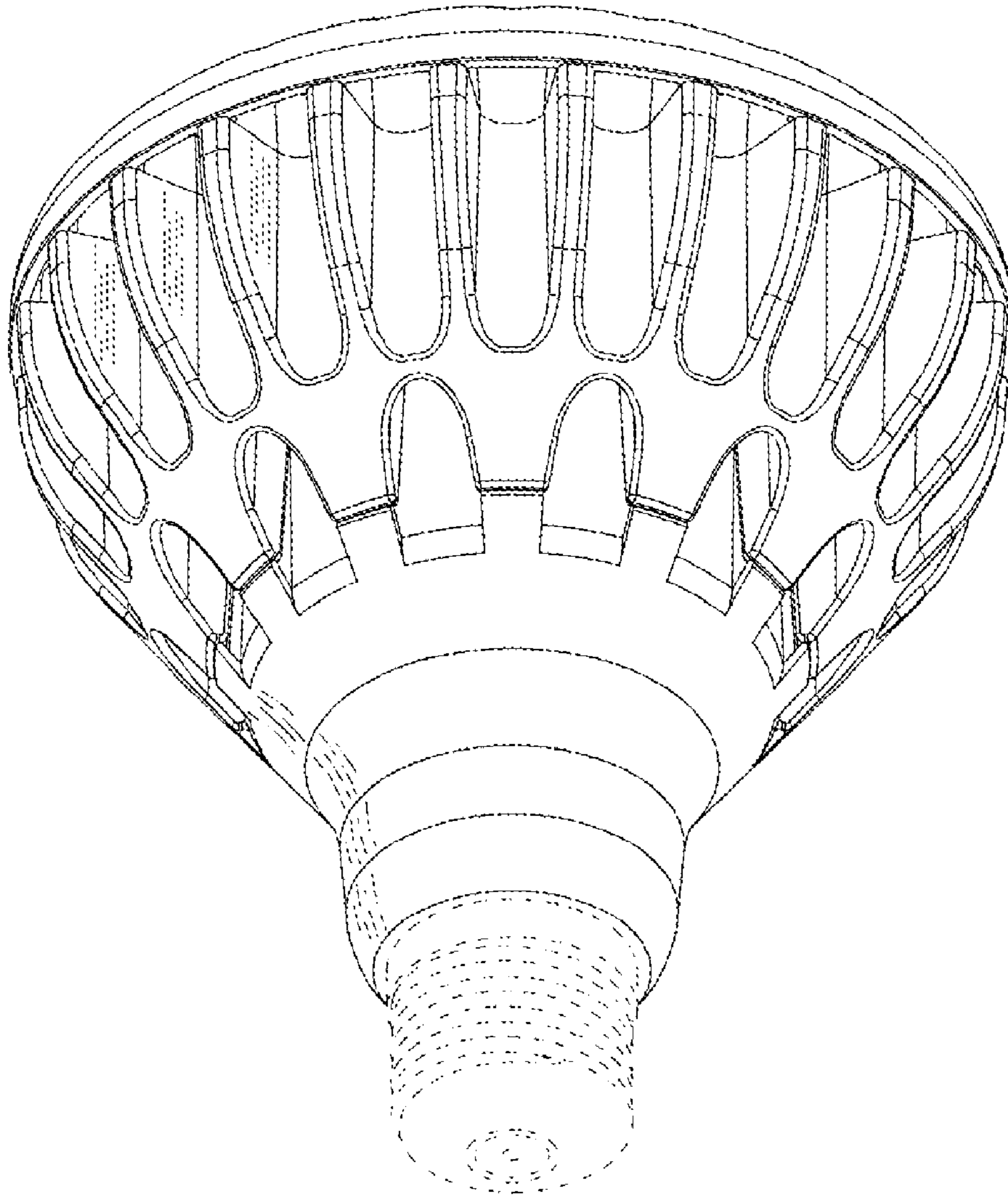


FIG. 2

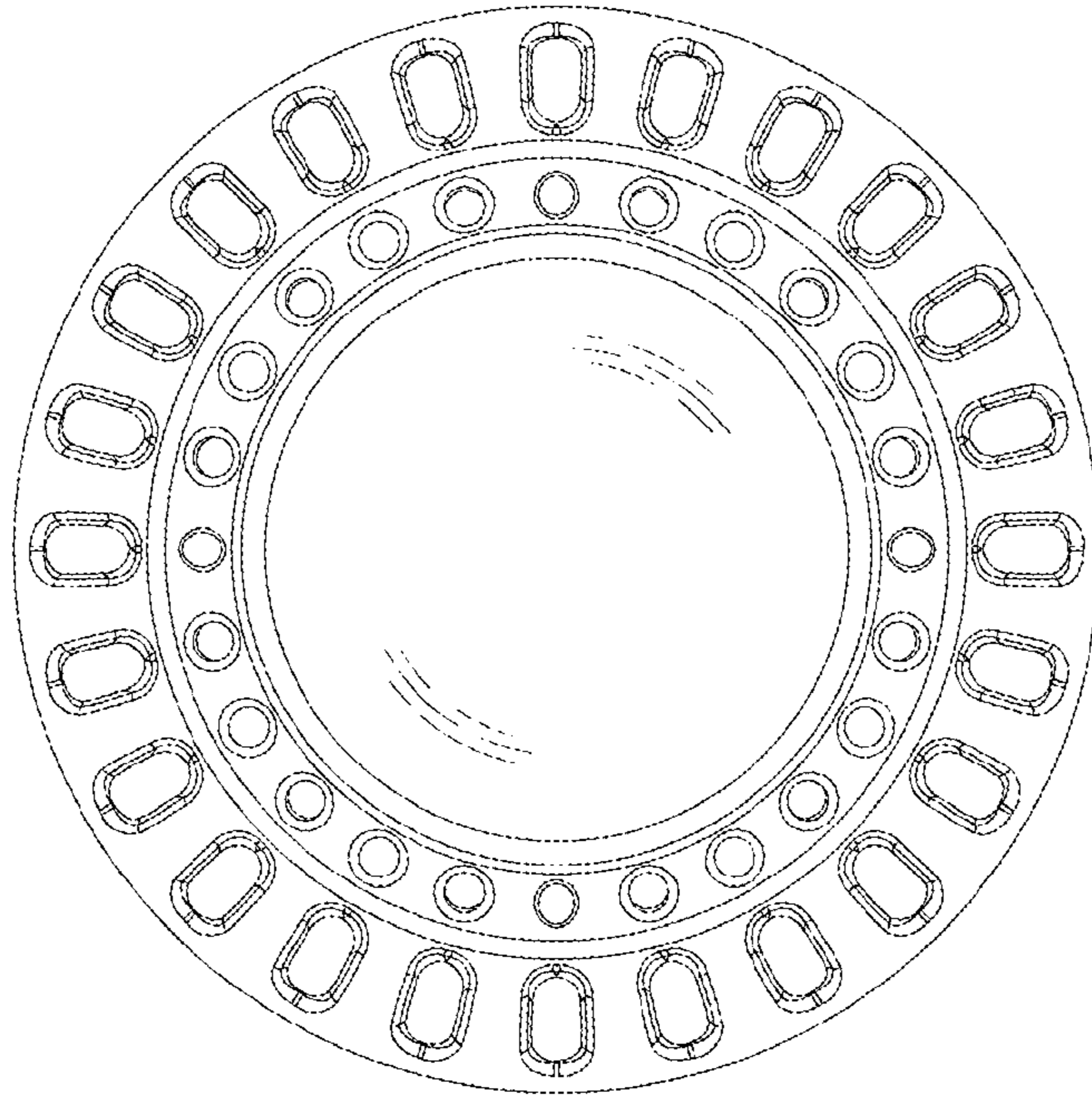


FIG. 3

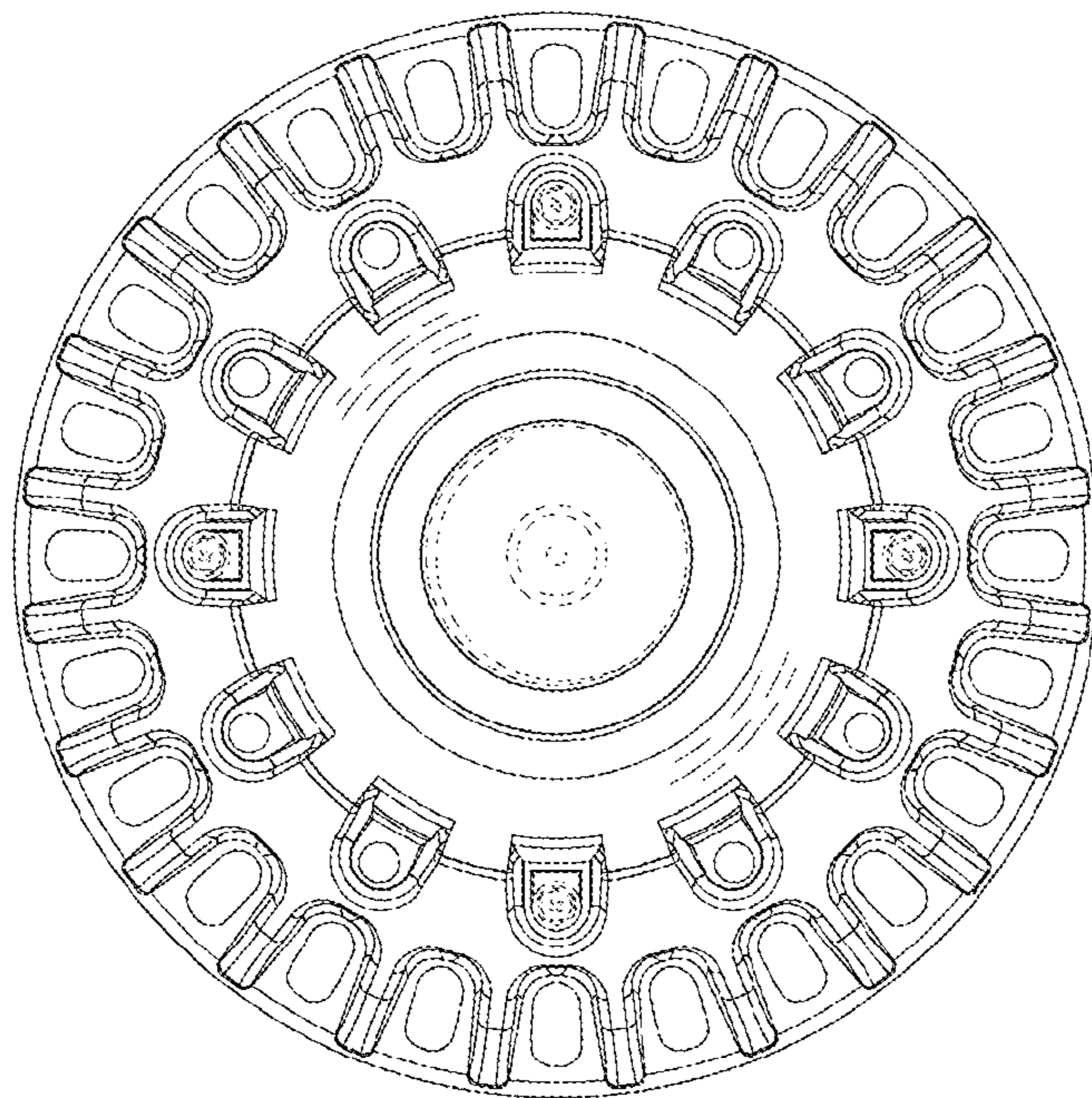


FIG. 4

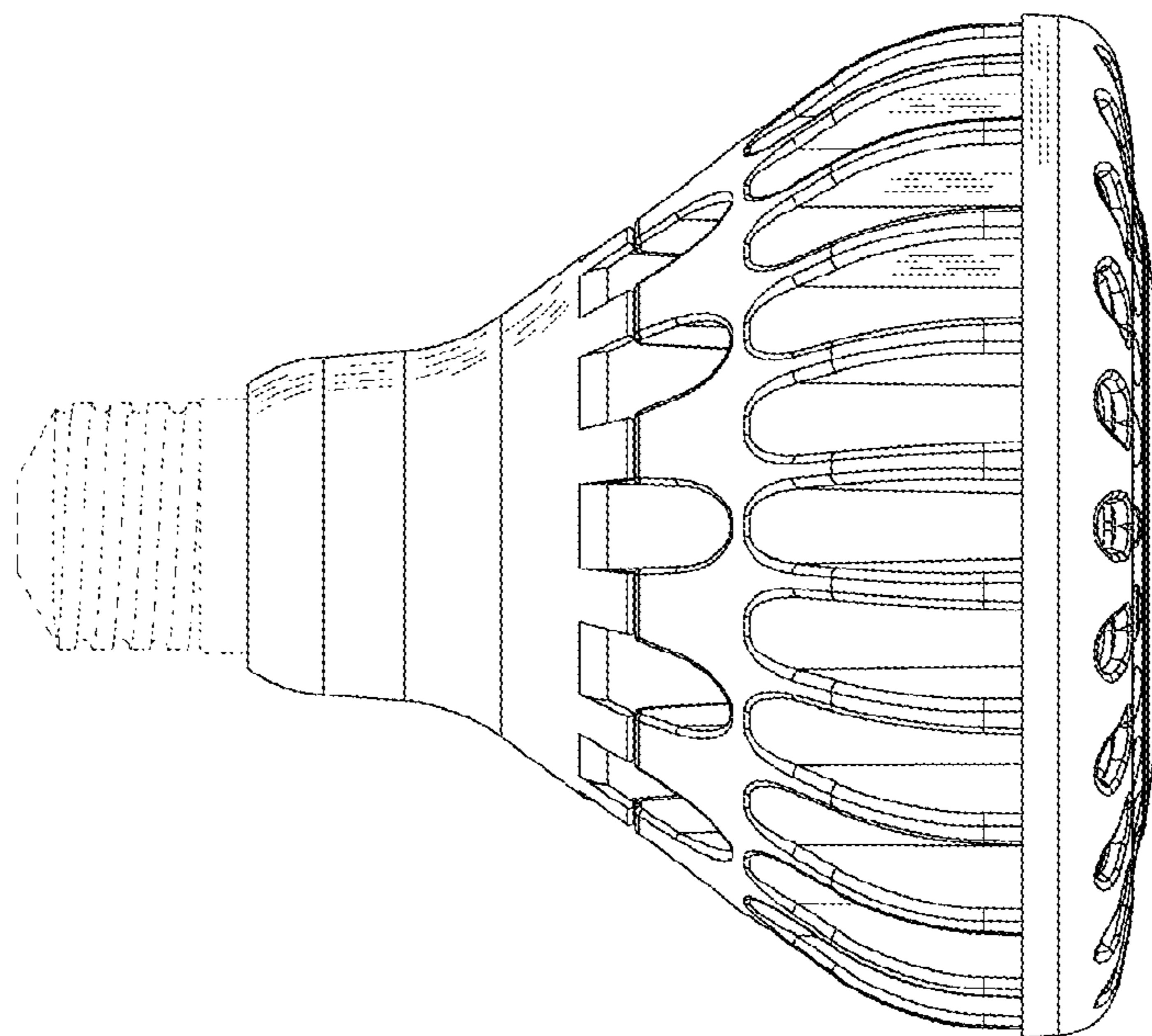


FIG. 5

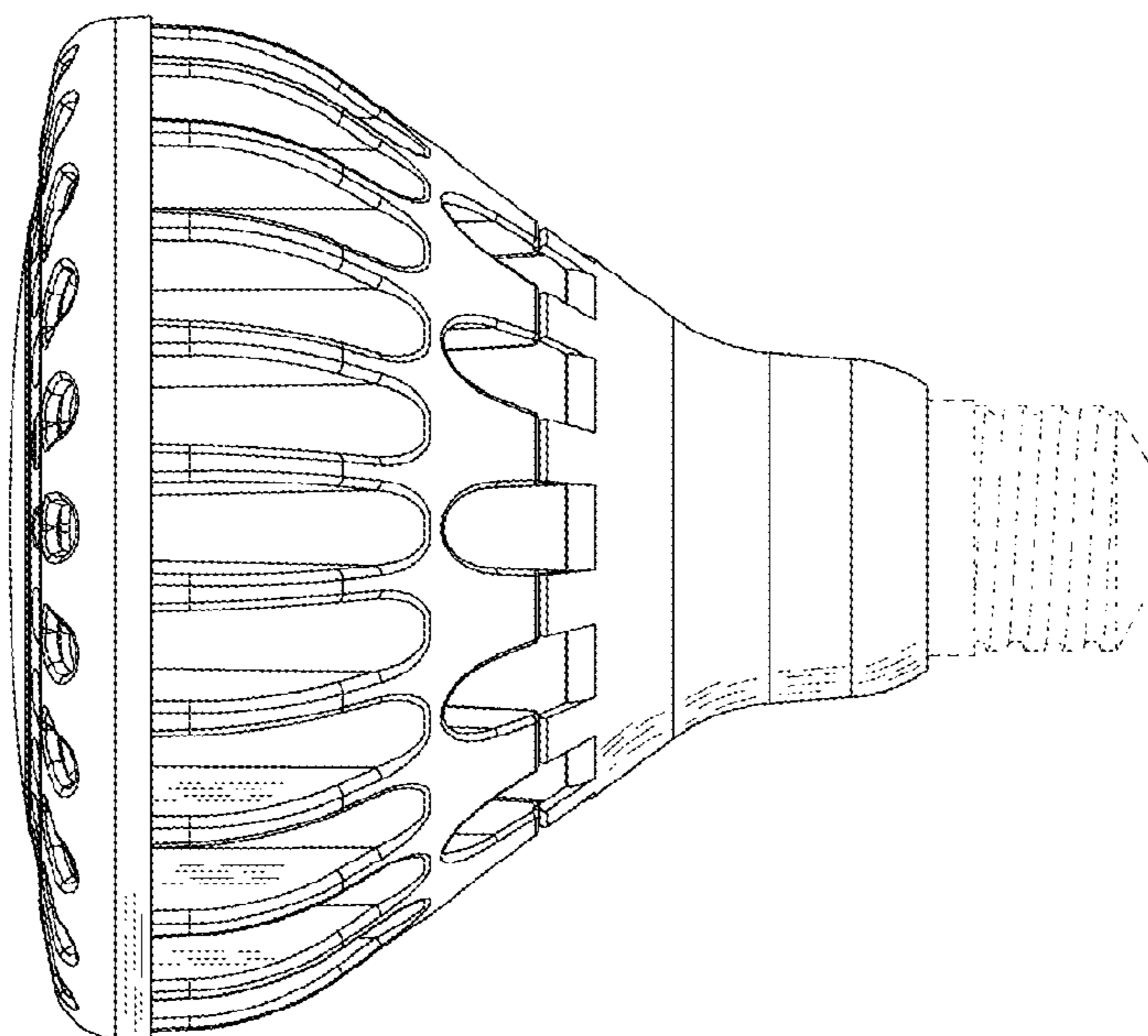


FIG. 6

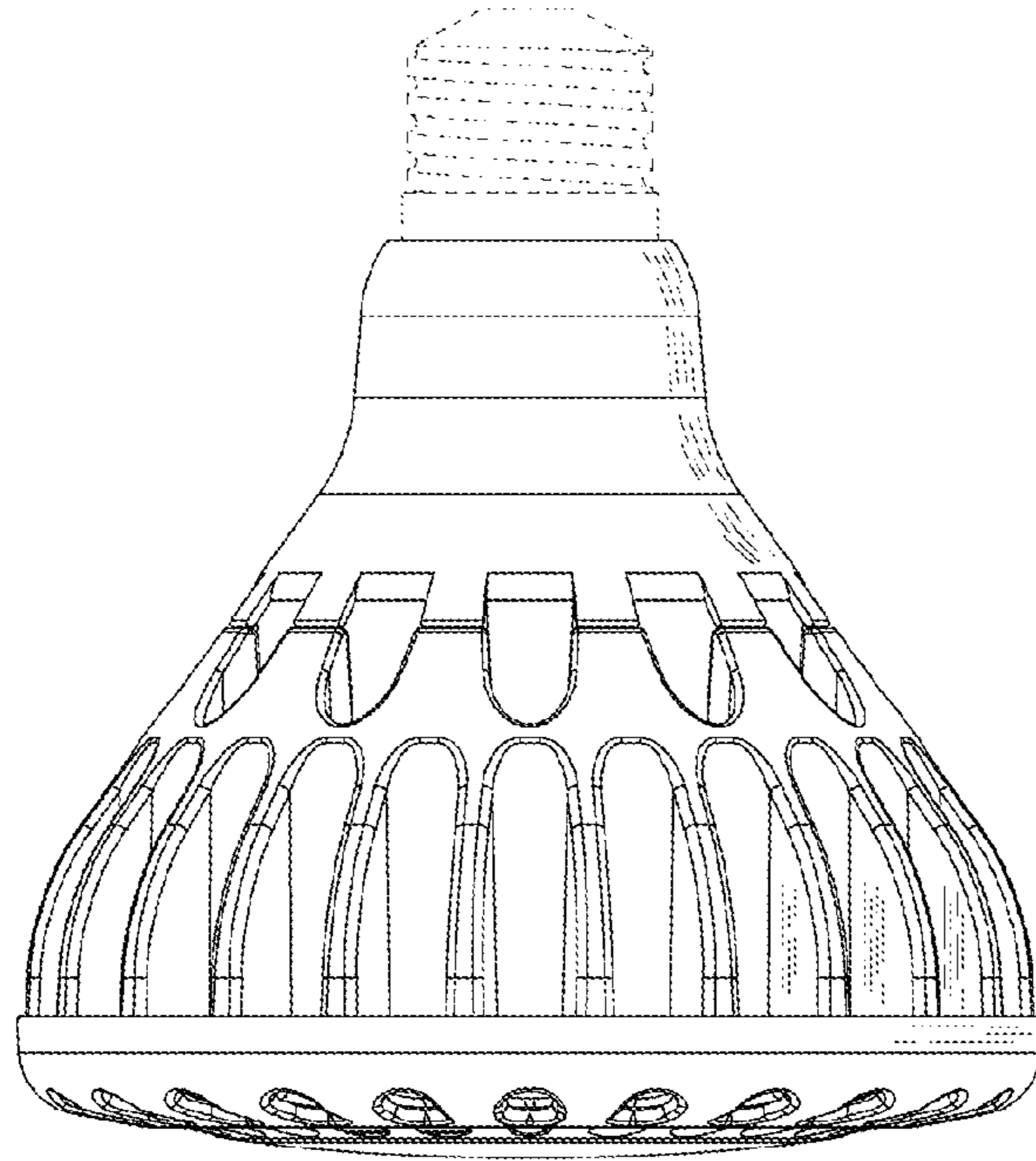


FIG. 7

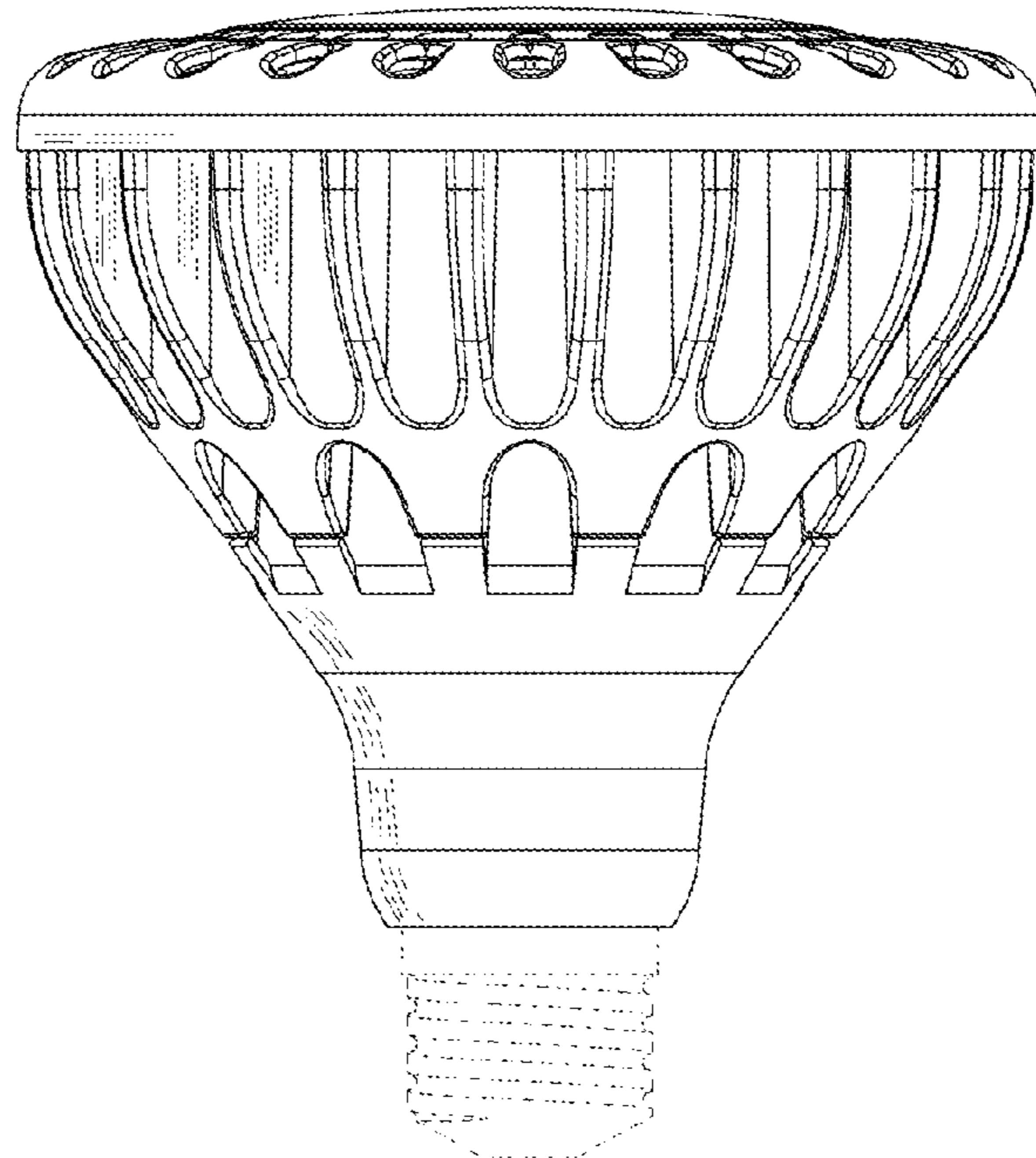


FIG. 8