

US00D630344S

(12) **United States Design Patent**  
**Stephens**

(10) **Patent No.:** **US D630,344 S**  
(45) **Date of Patent:** **\*\* \*Jan. 4, 2011**

(54) **SINGLE HUNG WINDOW FRAME MEMBER**

(75) Inventor: **Ronald Lee Stephens**, Lewisville, TX  
(US)

(73) Assignee: **Krestmark Industries, L.P.**, Dallas, TX  
(US)

(\* ) Notice: This patent is subject to a terminal disclaimer.

(\*\*) Term: **14 Years**

(21) Appl. No.: **29/358,992**

(22) Filed: **Apr. 2, 2010**

(51) **LOC (9) Cl.** ..... **25-01**

(52) **U.S. Cl.** ..... **D25/124**

(58) **Field of Classification Search** ..... D25/124,  
D25/125, 60; 52/204.1, 204.5, 204.51, 656.5,  
52/656.6, 730.3; 49/501, 504, DIG. 2  
See application file for complete search history.

(56) **References Cited**

**U.S. PATENT DOCUMENTS**

|               |         |                 |        |
|---------------|---------|-----------------|--------|
| D243,680 S    | 3/1977  | Dallaire        |        |
| 5,038,537 A * | 8/1991  | Frambach        | 52/207 |
| D344,597 S    | 2/1994  | Bancroft        |        |
| D344,600 S    | 2/1994  | Bancroft        |        |
| D353,471 S    | 12/1994 | Cole            |        |
| D358,663 S    | 5/1995  | Hosseini et al. |        |
| 5,522,196 A   | 6/1996  | Conroy et al.   |        |
| 5,557,894 A   | 9/1996  | Card            |        |
| D392,751 S    | 3/1998  | Oliver          |        |
| D430,940 S    | 9/2000  | Goss            |        |
| 6,293,049 B1  | 9/2001  | Shaw            |        |
| 6,457,287 B1  | 10/2002 | Wilcox          |        |
| D496,740 S    | 9/2004  | Franson         |        |
| 6,848,225 B2  | 2/2005  | Lapierre        |        |
| D511,842 S    | 11/2005 | Kim             |        |

|                   |        |            |        |
|-------------------|--------|------------|--------|
| D537,538 S        | 2/2007 | Wickland   |        |
| D608,906 S        | 1/2010 | Stephens   |        |
| D608,907 S        | 1/2010 | Stephens   |        |
| D608,908 S        | 1/2010 | Stephens   |        |
| D608,909 S        | 1/2010 | Stephens   |        |
| D608,910 S        | 1/2010 | Stephens   |        |
| D608,911 S        | 1/2010 | Stephens   |        |
| D615,666 S        | 5/2010 | Stephens   |        |
| 2008/0104892 A1 * | 5/2008 | Cox et al. | 49/504 |

**OTHER PUBLICATIONS**

Design Patent Application and Drawings for U.S. Appl. No. 29/336,019, filed Apr. 27, 2009 and entitled "Single Hung Window Sill Member".

Non-Final Rejection date mailed Sep. 28, 2009 in U.S. Appl. No. 29/336,019.

Response filed Dec. 15, 2009 to Non-Final Rejection dated Sep. 28, 2009 in U.S. Appl. No. 29/336,019.

\* cited by examiner

*Primary Examiner*—Doris Clark

(74) *Attorney, Agent, or Firm*—SNR Denton US LLP

(57) **CLAIM**

The ornamental design for a single hung window frame member, as shown and described.

**DESCRIPTION**

FIG. 1 is a perspective view of a single hung window frame member showing my new design;

FIG. 2 is a first end view thereof;

FIG. 3 is a second end view thereof;

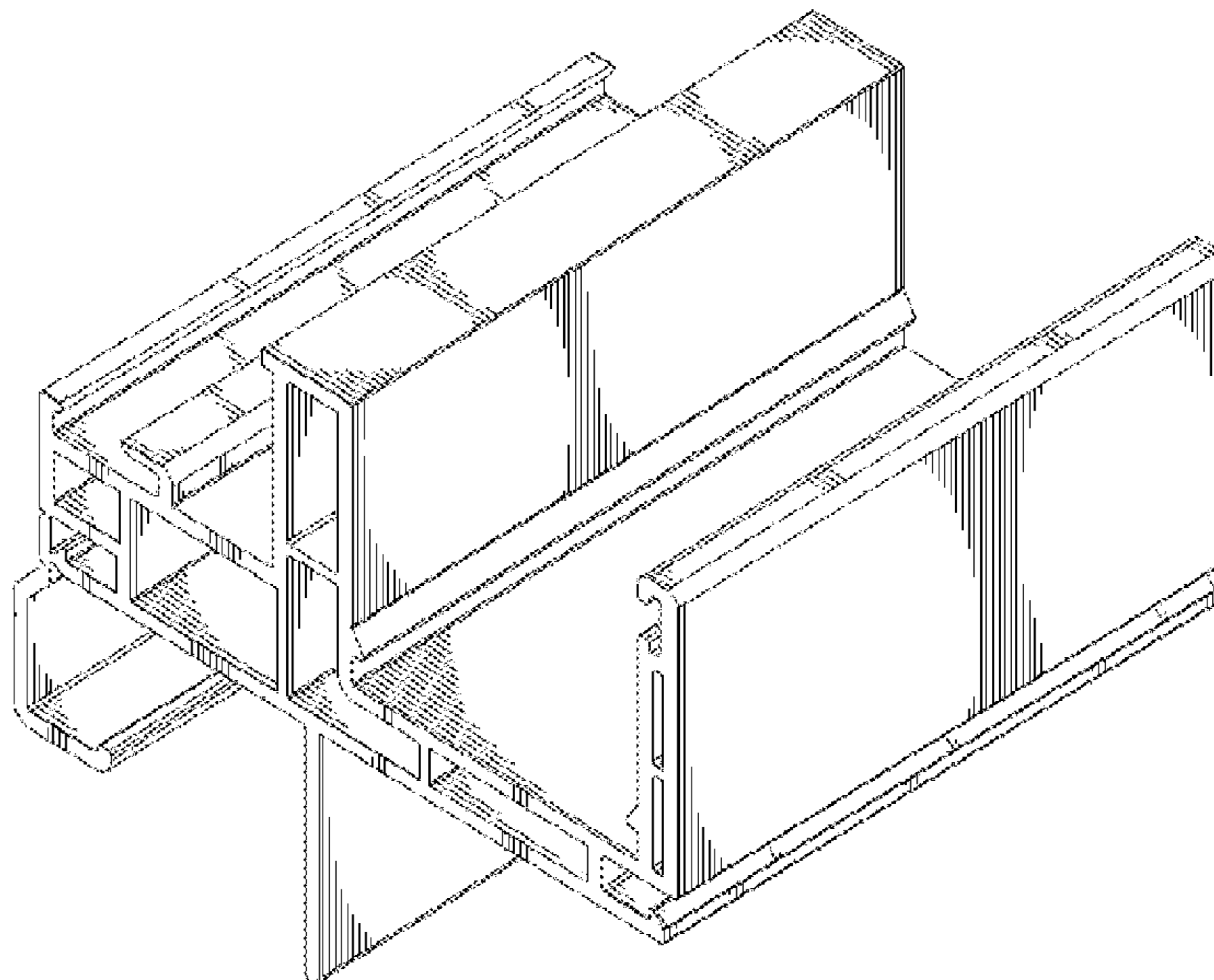
FIG. 4 is a right, elevation view thereof;

FIG. 5 is a left, elevation view thereof;

FIG. 6 is a top view thereof; and,

FIG. 7 is a bottom view thereof.

**1 Claim, 7 Drawing Sheets**



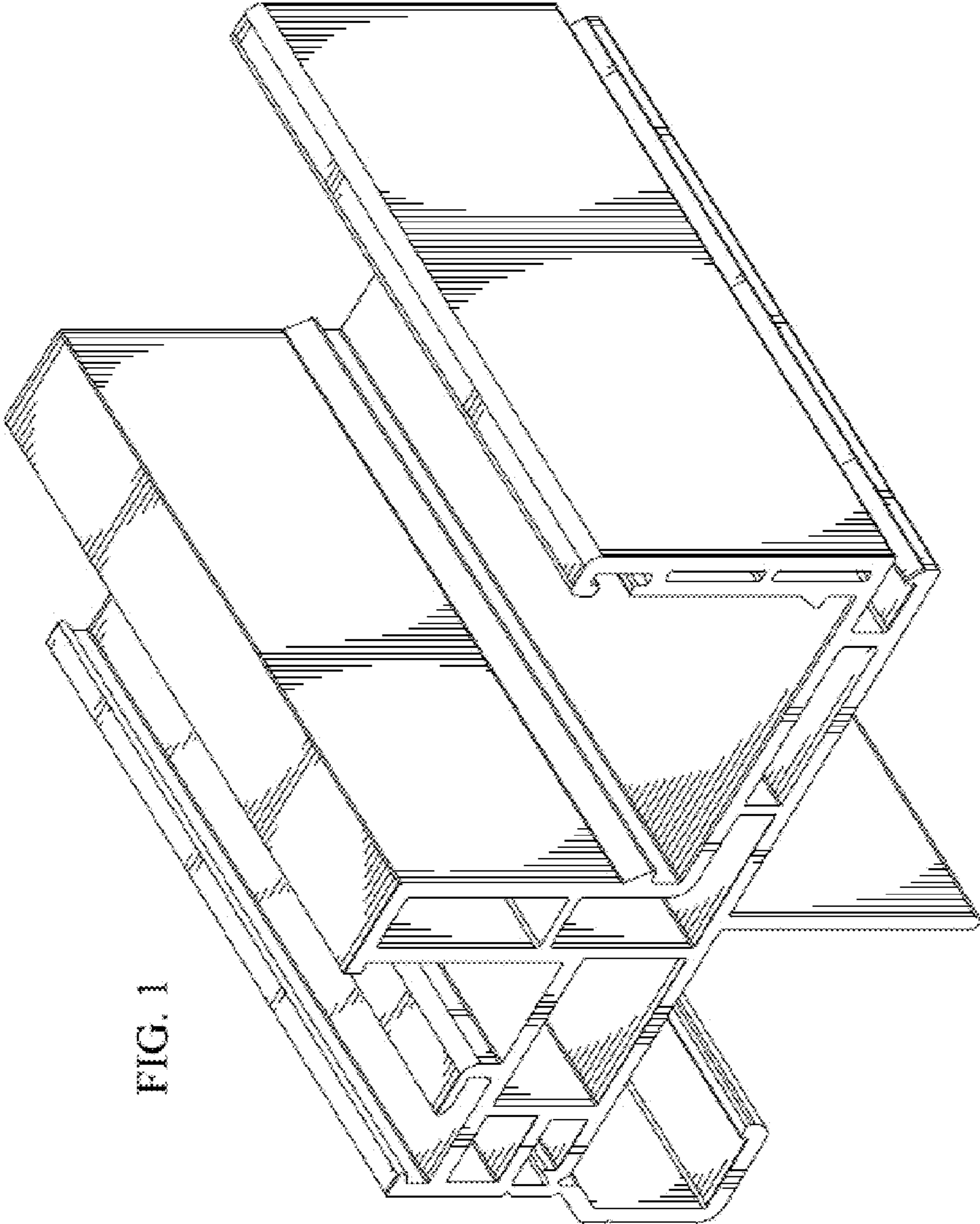


FIG. 1

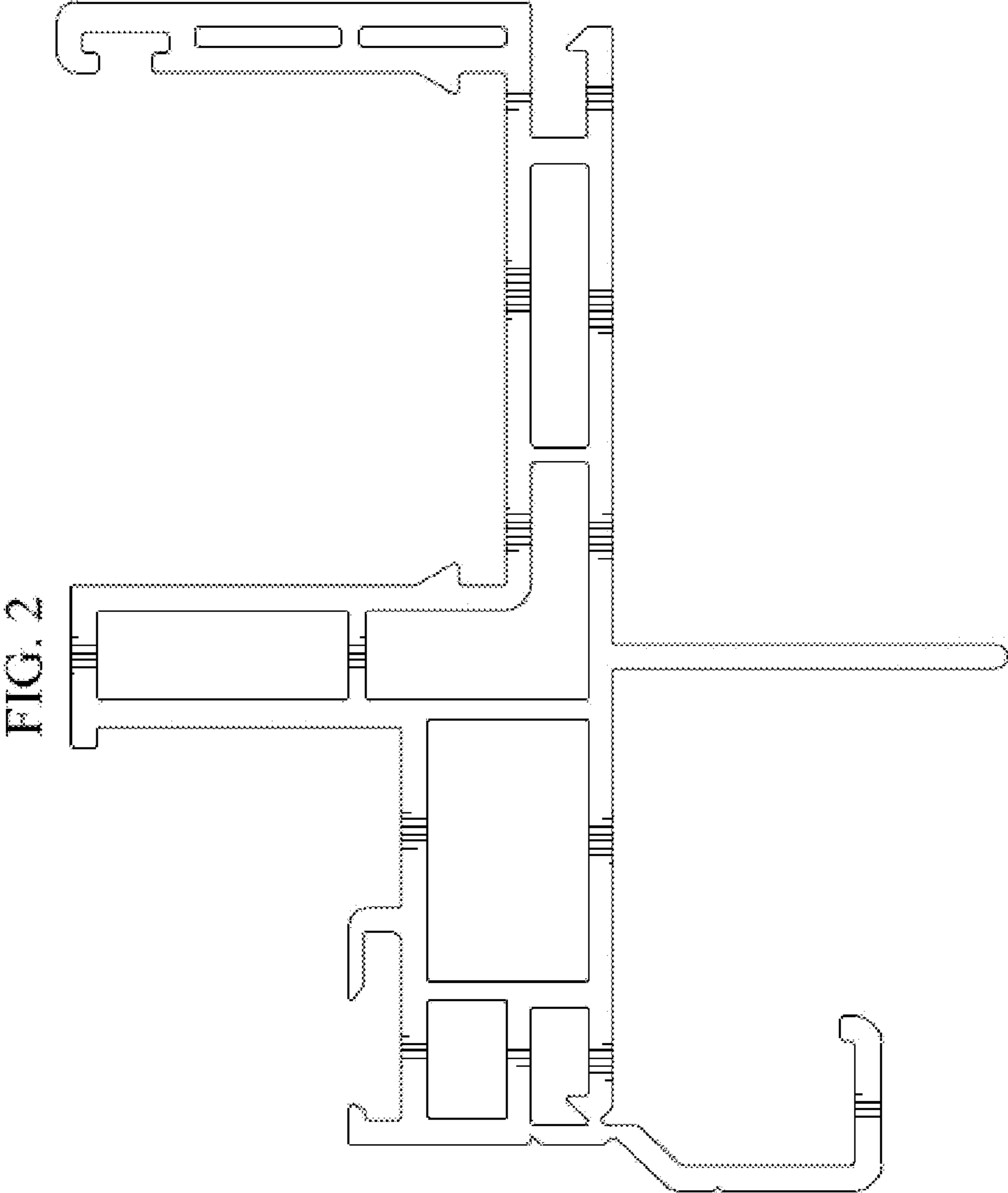
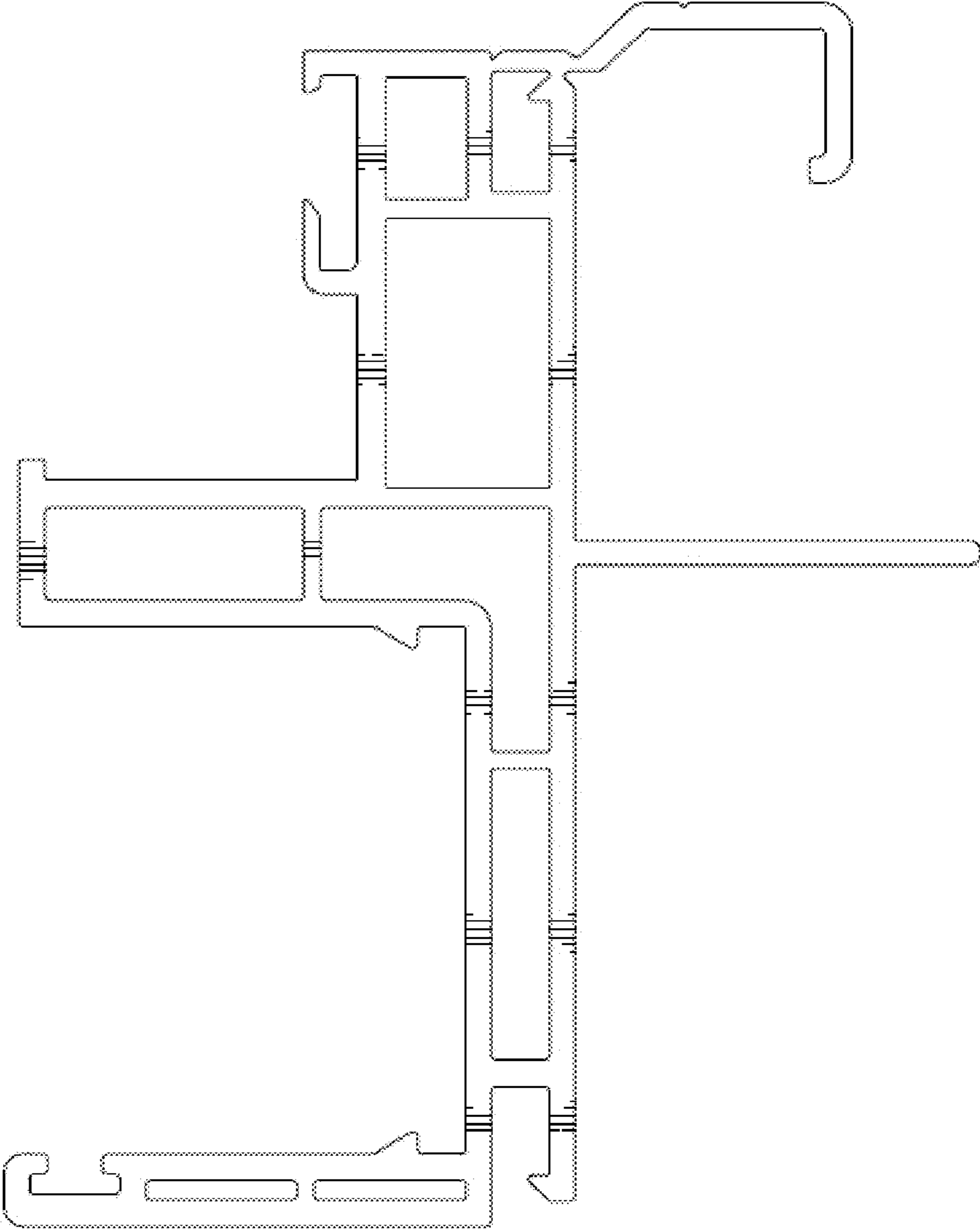


FIG. 3



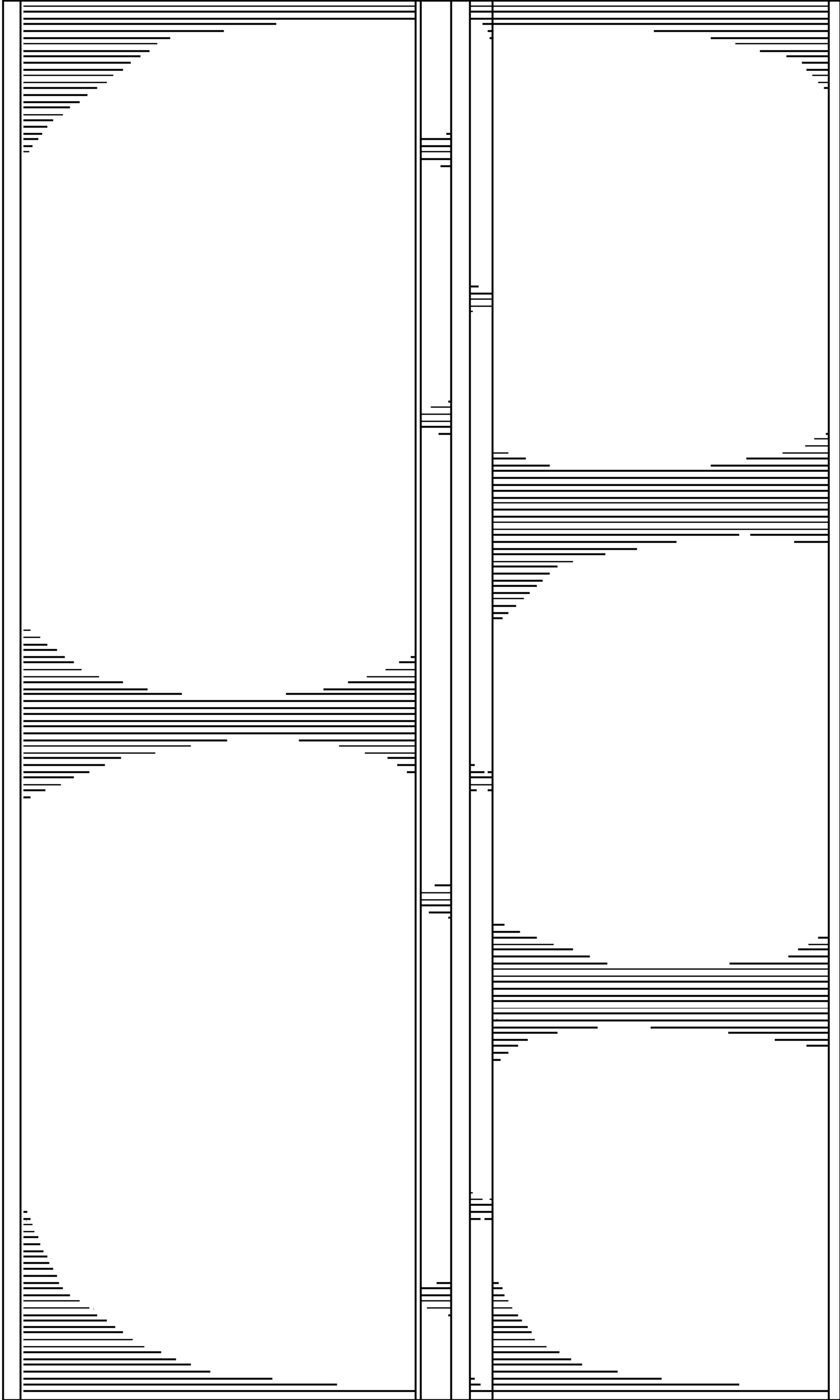


FIG. 4

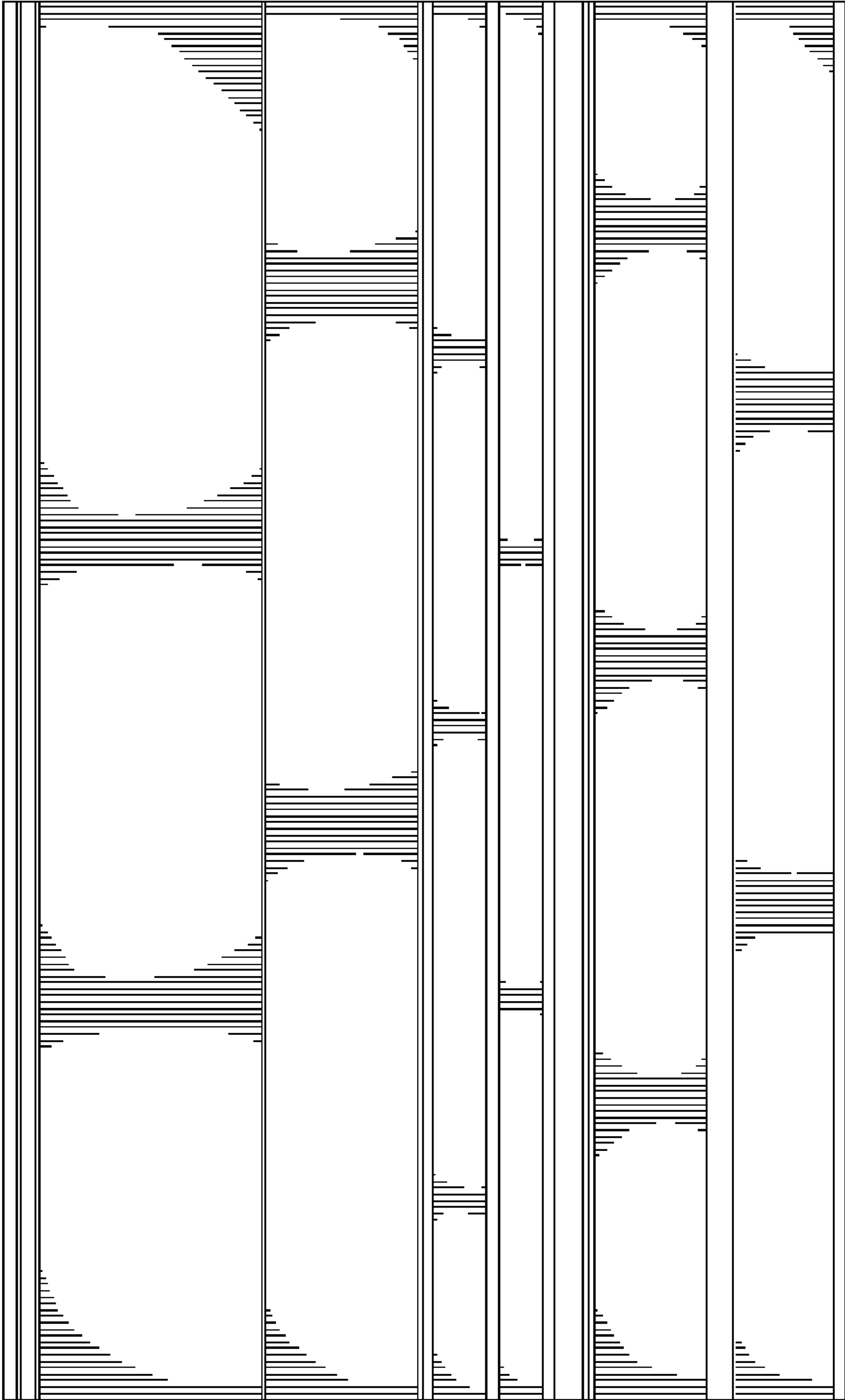


FIG. 5

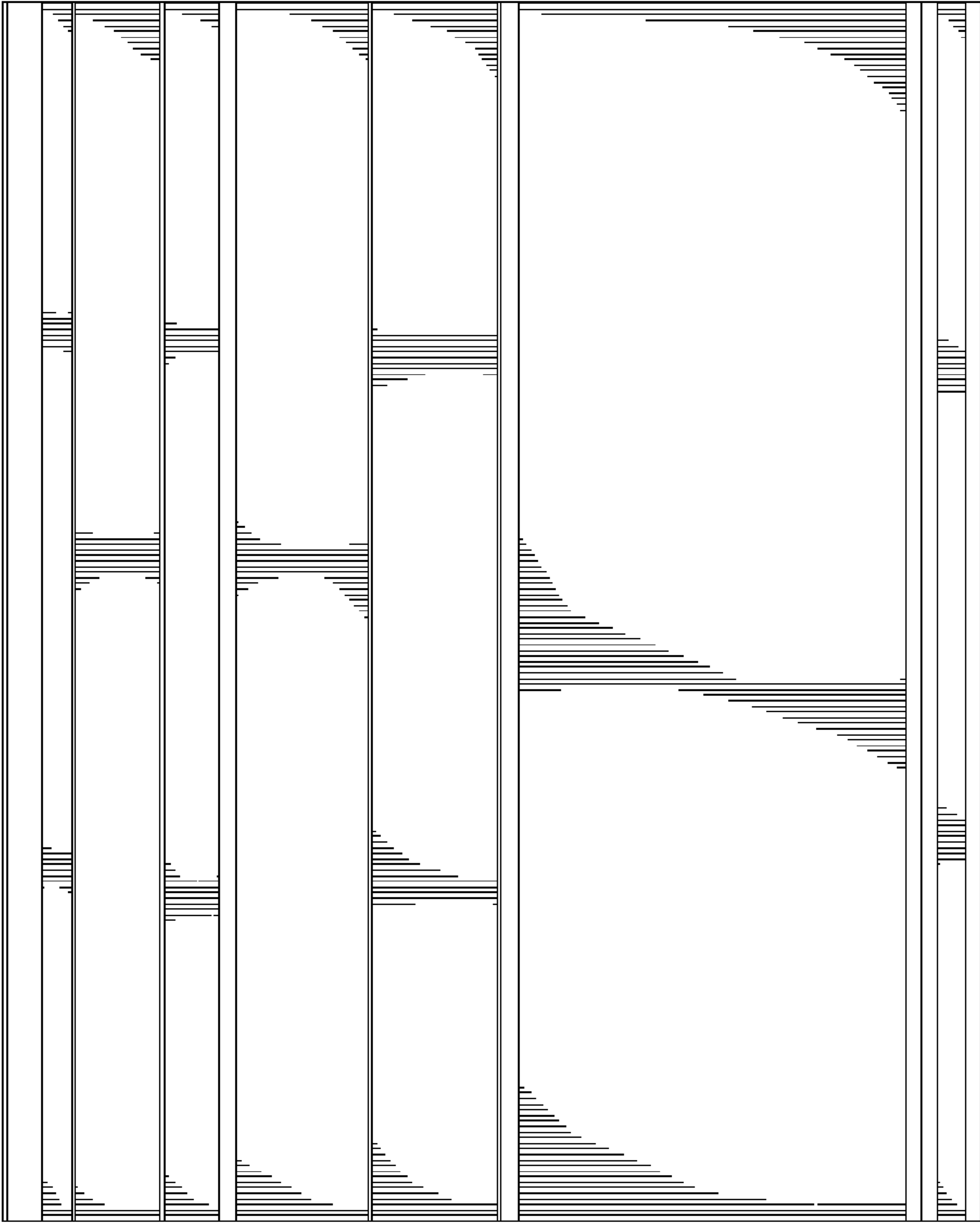


FIG. 6

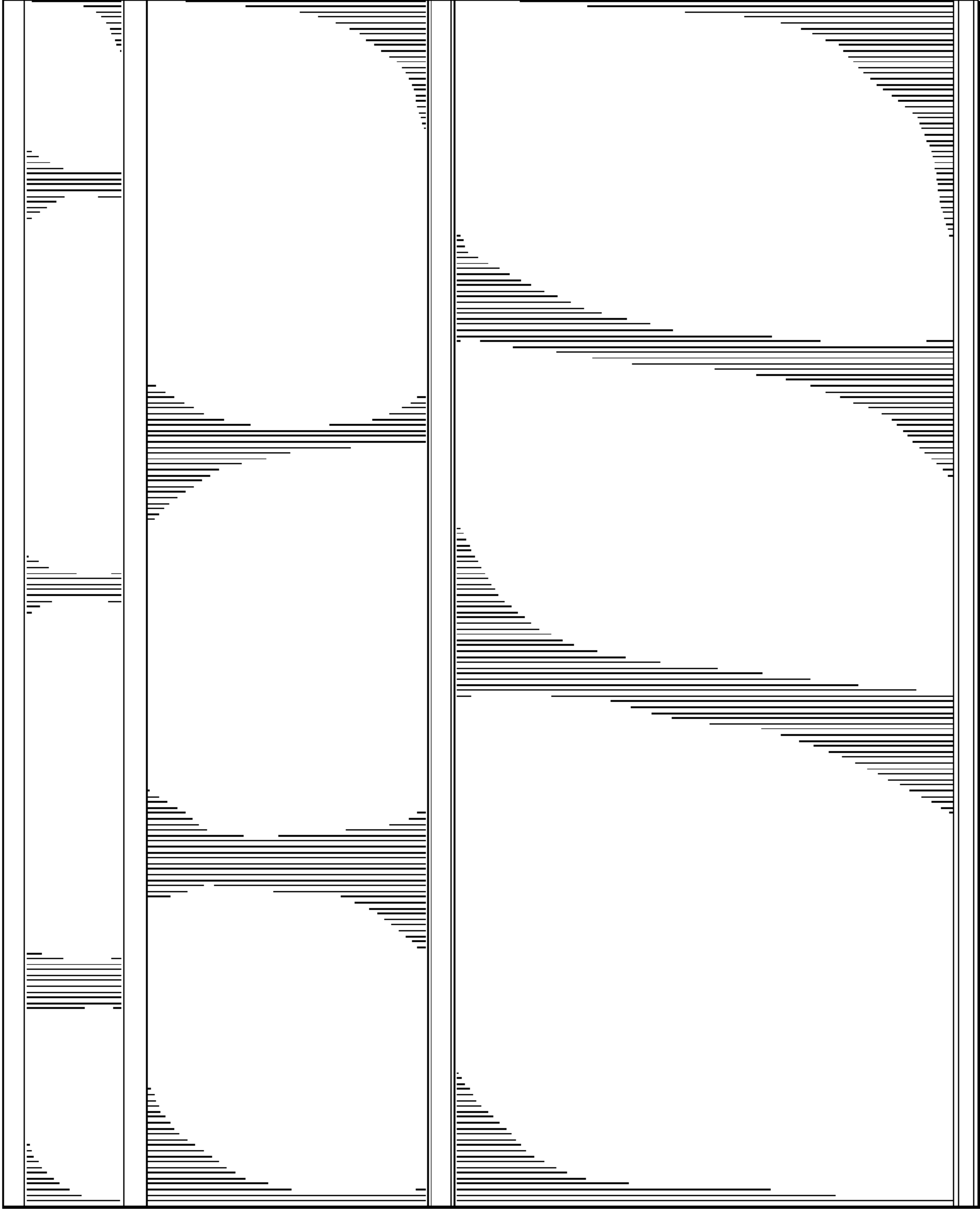


FIG. 7