



US00D630343S

(12) **United States Design Patent**
Muñoz Escribano

(10) **Patent No.:** **US D630,343 S**
(45) **Date of Patent:** **** Jan. 4, 2011**

(54) **SLAT FOR ROLLER SHUTTERS**

(76) **Inventor:** **José Antonio Muñoz Escribano,**
Apartado de Correos, 10, E-46900
Torrente (ES)

(**) **Term:** **14 Years**

(21) **Appl. No.:** **29/347,512**

(22) **Filed:** **Feb. 17, 2010**

(30) **Foreign Application Priority Data**

Aug. 18, 2009 (EM) 001159321-0001

(51) **LOC (9) Cl.** **25-01**

(52) **U.S. Cl.** **D25/124; D25/49**

(58) **Field of Classification Search** D25/119,
D25/124, 49; 160/133, 238

See application file for complete search history.

(56) **References Cited**

U.S. PATENT DOCUMENTS

3,642,050 A * 2/1972 Piana 160/133
D274,267 S * 6/1984 Cushing D25/124
D288,131 S * 2/1987 Magro D25/49
D299,966 S * 2/1989 Litchfield et al. D25/124
D328,139 S * 7/1992 Boer D25/119

5,456,305 A * 10/1995 Snarli 160/133
5,476,130 A * 12/1995 Cheng 160/133
D408,553 S * 4/1999 Lai D25/49
D421,137 S * 2/2000 Marshall D25/119
6,095,225 A * 8/2000 Miller 160/133
D450,857 S * 11/2001 Schoeren D25/49
D472,332 S * 3/2003 Wenrick et al. D25/119
6,742,563 B2 * 6/2004 Belanger 160/133

* cited by examiner

Primary Examiner—Doris Clark

(74) *Attorney, Agent, or Firm*—Breiner & Breiner, LLC

(57) **CLAIM**

The ornamental design for slat for roller shutters, as shown and described.

DESCRIPTION

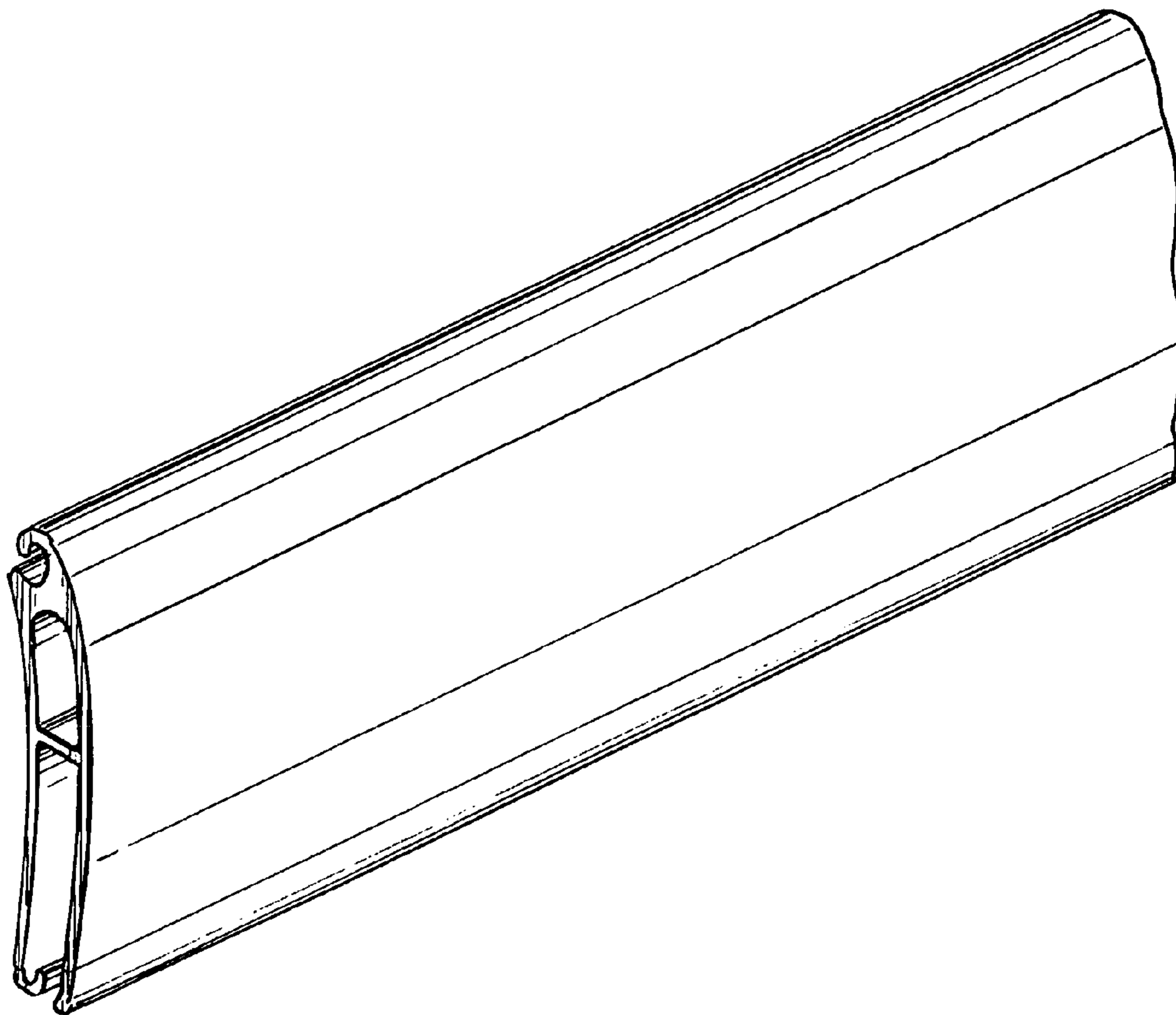
FIG. 1 is an end view of the slat for roller shutters, wherein the opposite end view is a mirror image thereof;

FIG. 2 is a back perspective view of the slat for roller shutters; and,

FIG. 3 is a front perspective view of the slat for roller shutters.

The claimed design has been illustrated broken on one end to indicate indeterminate length.

1 Claim, 1 Drawing Sheet



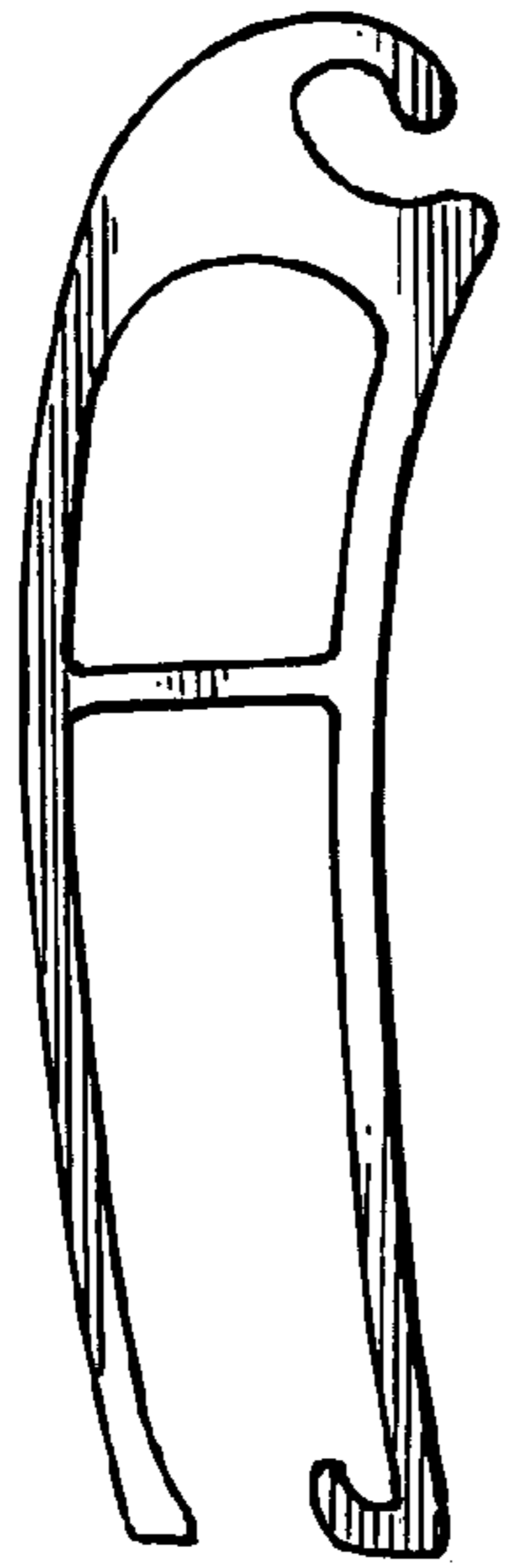


Fig. 1

Fig. 2

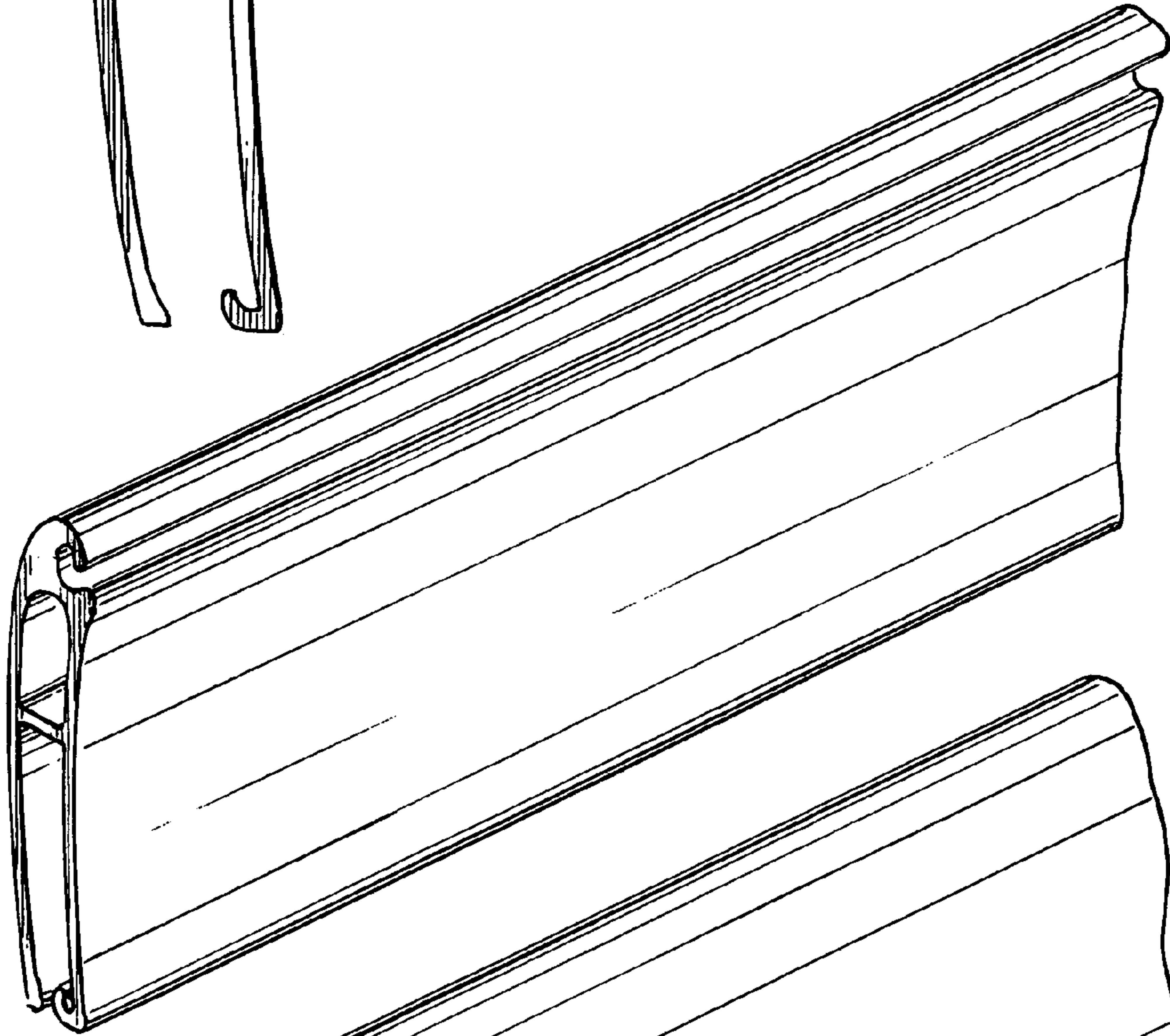


Fig. 3

