



US00D630338S

(12) **United States Design Patent**
Lafond

(10) **Patent No.:** **US D630,338 S**
(45) **Date of Patent:** **** Jan. 4, 2011**

(54) **SAMPLING DISH**

(57) **CLAIM**

(75) Inventor: **Andre Lafond**, St-Hilaire (CA)

The ornamental design for a sampling dish, as shown and described.

(73) Assignee: **3088081 Canada Inc.**, St-Hilaire (CA)

(**) Term: **14 Years**

DESCRIPTION

(21) Appl. No.: **29/356,523**

(22) Filed: **Feb. 26, 2010**

Related U.S. Application Data

(62) Division of application No. 29/338,723, filed on Jun. 17, 2009, now Pat. No. Des. 613,874.

(51) **LOC (9) Cl.** **24-01**

(52) **U.S. Cl.** **D24/226**

(58) **Field of Classification Search** D24/216,
D24/222–226, 231, 232, 169; D10/81; D3/203.1–203.8;
422/99, 102; D9/503, 504, 505, 529, 549,
D9/756, 759, 760; 435/288.1, 288.3, 288.4,
435/304.1, 305.1, 305.3, 305.4

See application file for complete search history.

(56) **References Cited**

U.S. PATENT DOCUMENTS

3,165,450	A *	1/1965	Scheidt	D24/226
D258,761	S *	3/1981	Graham	D24/226
D316,752	S *	5/1991	Ricketts	D24/226
D411,308	S *	6/1999	Pandey et al.	D24/216
6,258,327	B1	7/2001	Tatum		

(Continued)

Primary Examiner—T. Chase Nelson

Assistant Examiner—Anhdao Doan

(74) *Attorney, Agent, or Firm*—Goudreau Gage Dubuc;
Gwendoline Bruneau

FIG. 1 is a perspective view of a sampling dish showing a first variant of my new design;

FIG. 2 is a view from above of the variant of FIG. 1;

FIG. 3 is a view from a first side of the variant of FIG. 1;

FIG. 4 is a view from a second side of the variant of FIG. 1;

FIG. 5 is a view from the front of the variant of FIG. 1;

FIG. 6 is a view from the back of the variant of FIG. 1;

FIG. 7 is a view from the bottom of the variant of FIG. 1;

FIG. 8 is a perspective view of a sampling dish showing a second variant of my new design;

FIG. 9 is a view from above of the variant of FIG. 8;

FIG. 10 is a view from a first side of the variant of FIG. 8;

FIG. 11 is a view from a second side of the variant of FIG. 8;

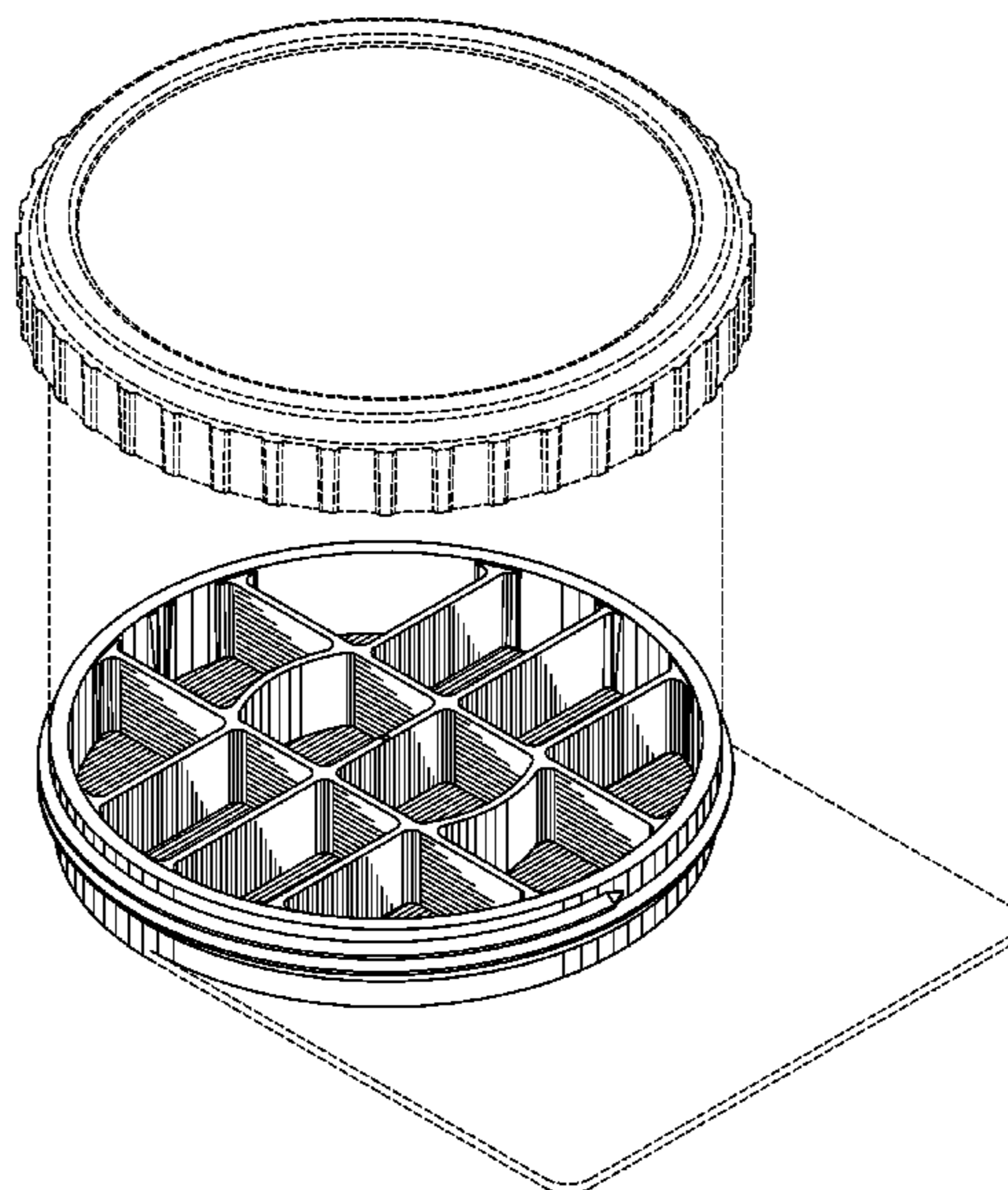
FIG. 12 is a view from the front of the variant of FIG. 8;

FIG. 13 is a view from the back of the variant of FIG. 8; and,

FIG. 14 is a view from the bottom of the variant of FIG. 8.

The broken lines connecting the sides of the separated sampling dish components shown in FIGS. 1 and 8 are included to show the order of assembly. All other broken lines in the drawing views are included for the purpose of illustrating portions of the sampling dish that form no part of the claimed design.

1 Claim, 8 Drawing Sheets



US D630,338 S

Page 2

U.S. PATENT DOCUMENTS

7,147,826 B2	12/2006	Haywood et al.	2008/0113425 A1	5/2008	Cortelazzo
D563,560 S *	3/2008	Copeland et al.	2009/0183581 A1	7/2009	Wilkinson et al.
2007/0183938 A1	8/2007	Booker			

* cited by examiner

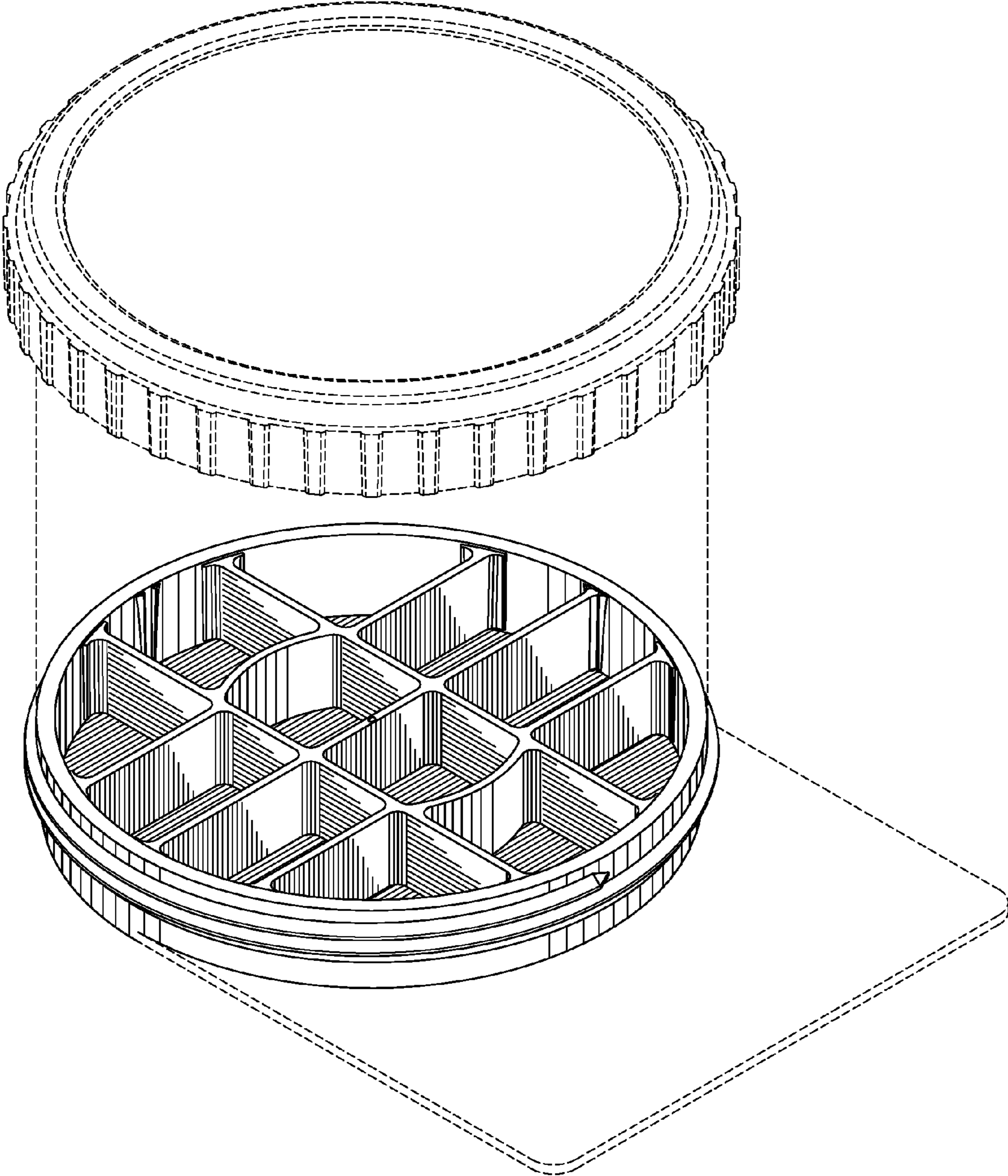


FIG. 1

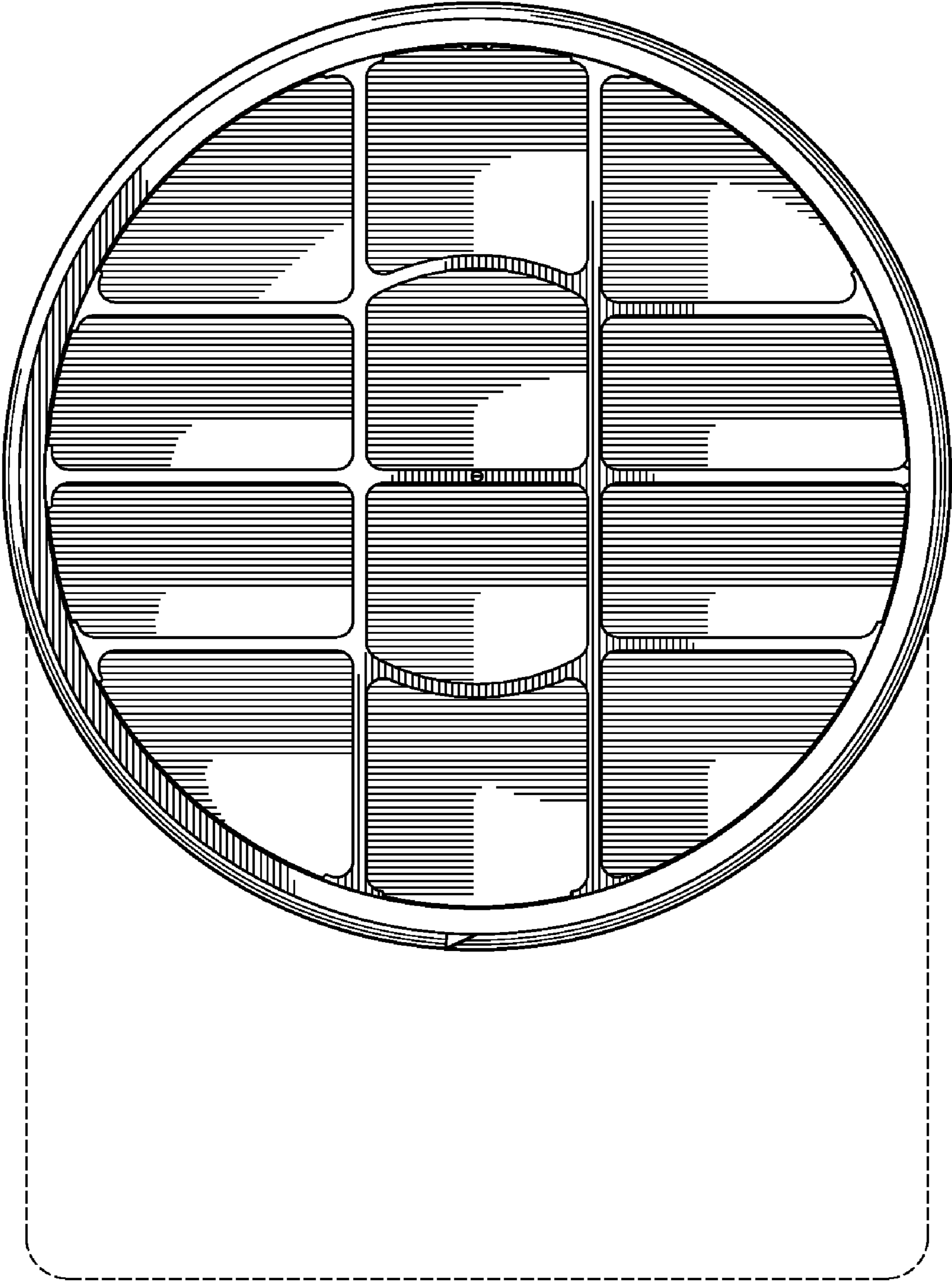


FIG. 2

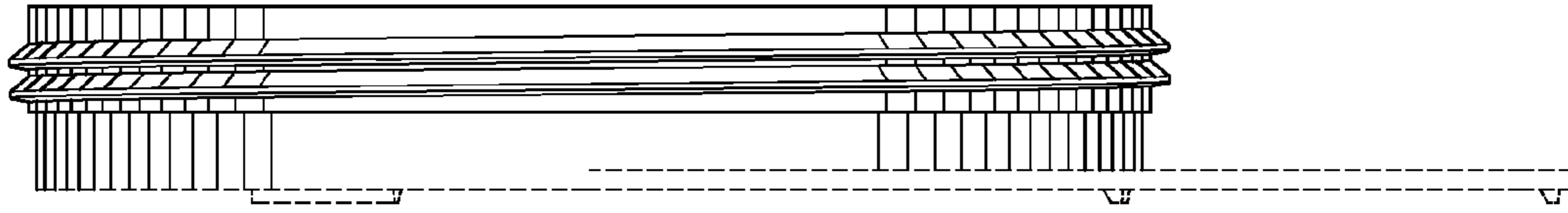


FIG. 3

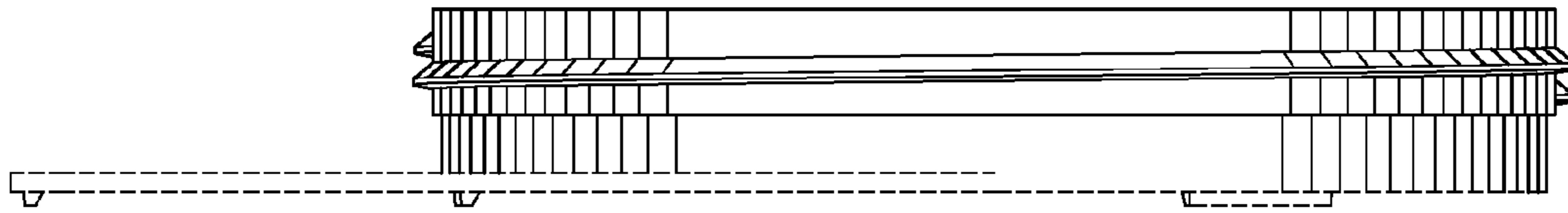


FIG. 4

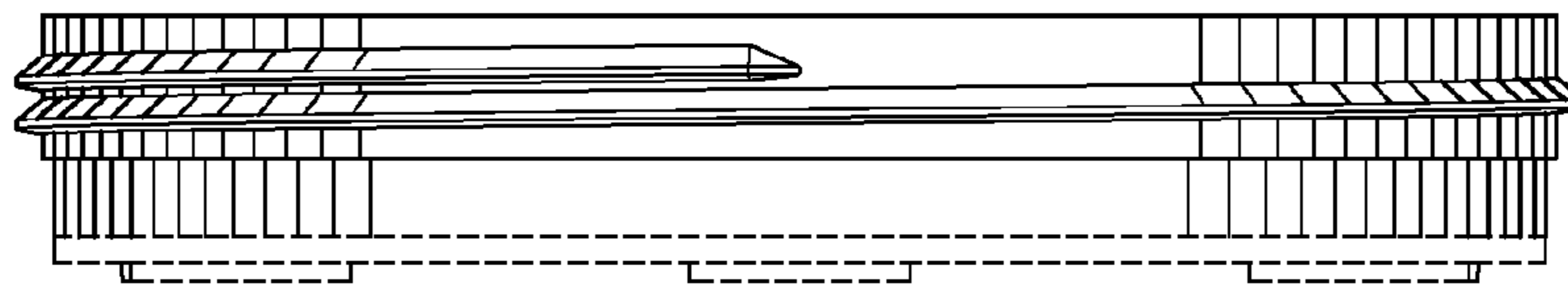


FIG. 5

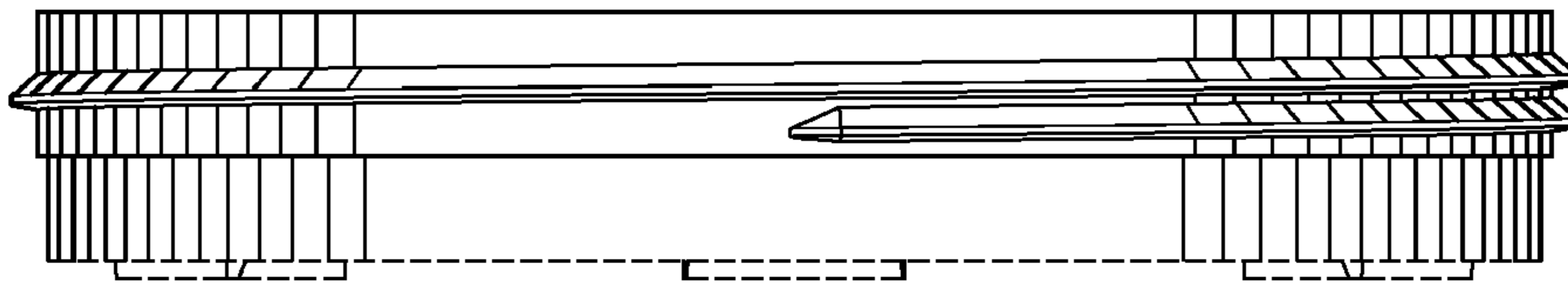


FIG. 6

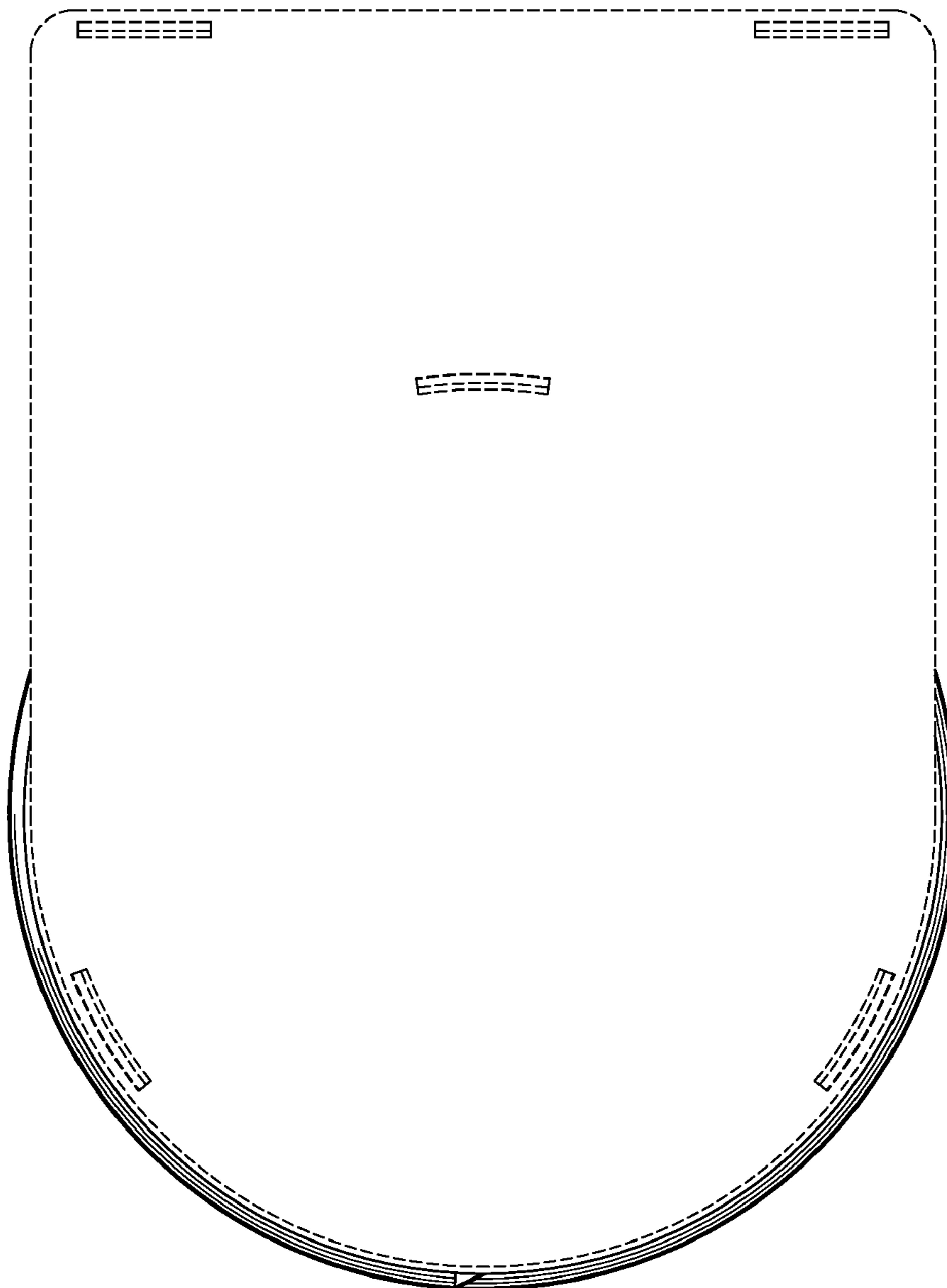


FIG. 7

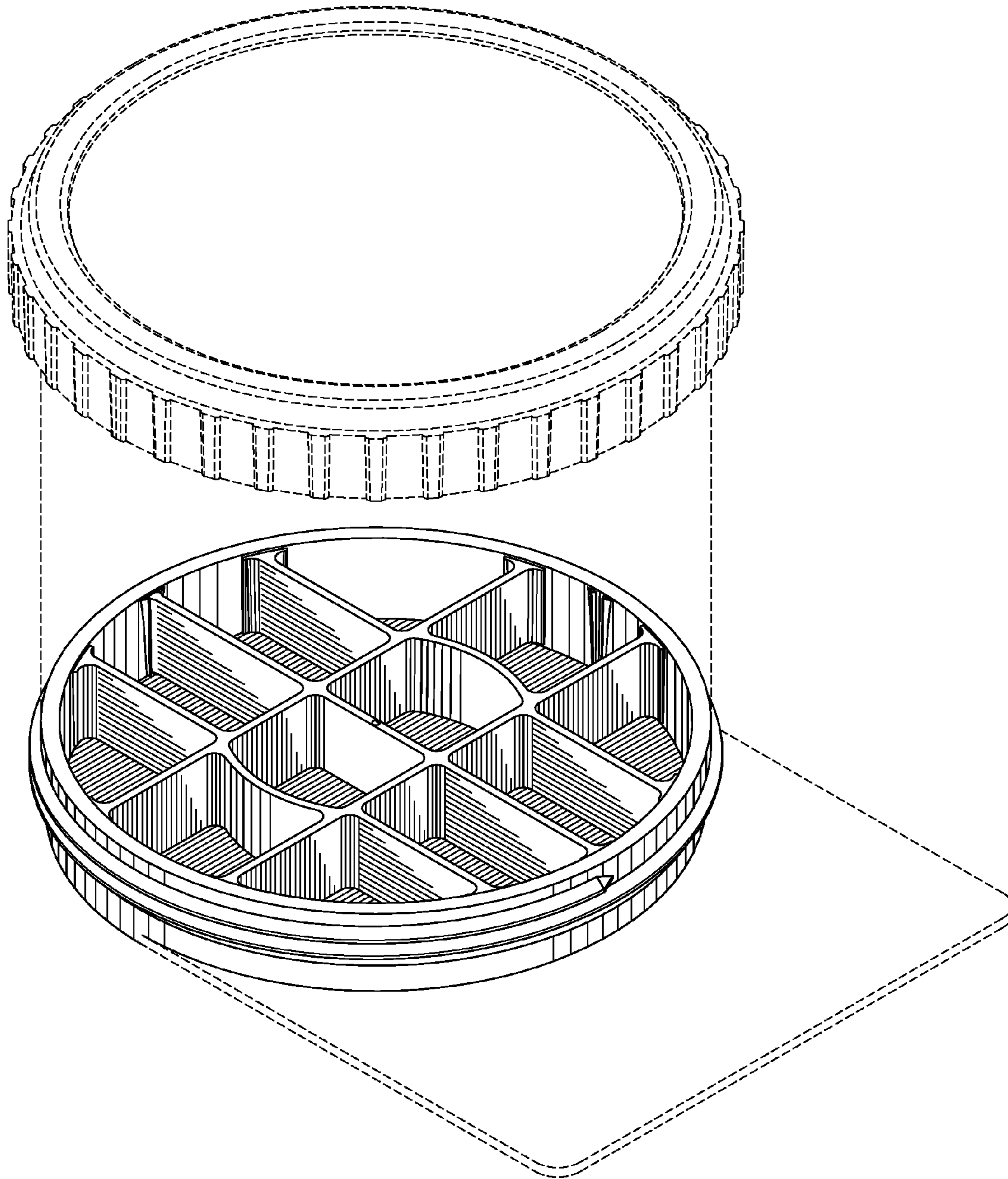


FIG. 8

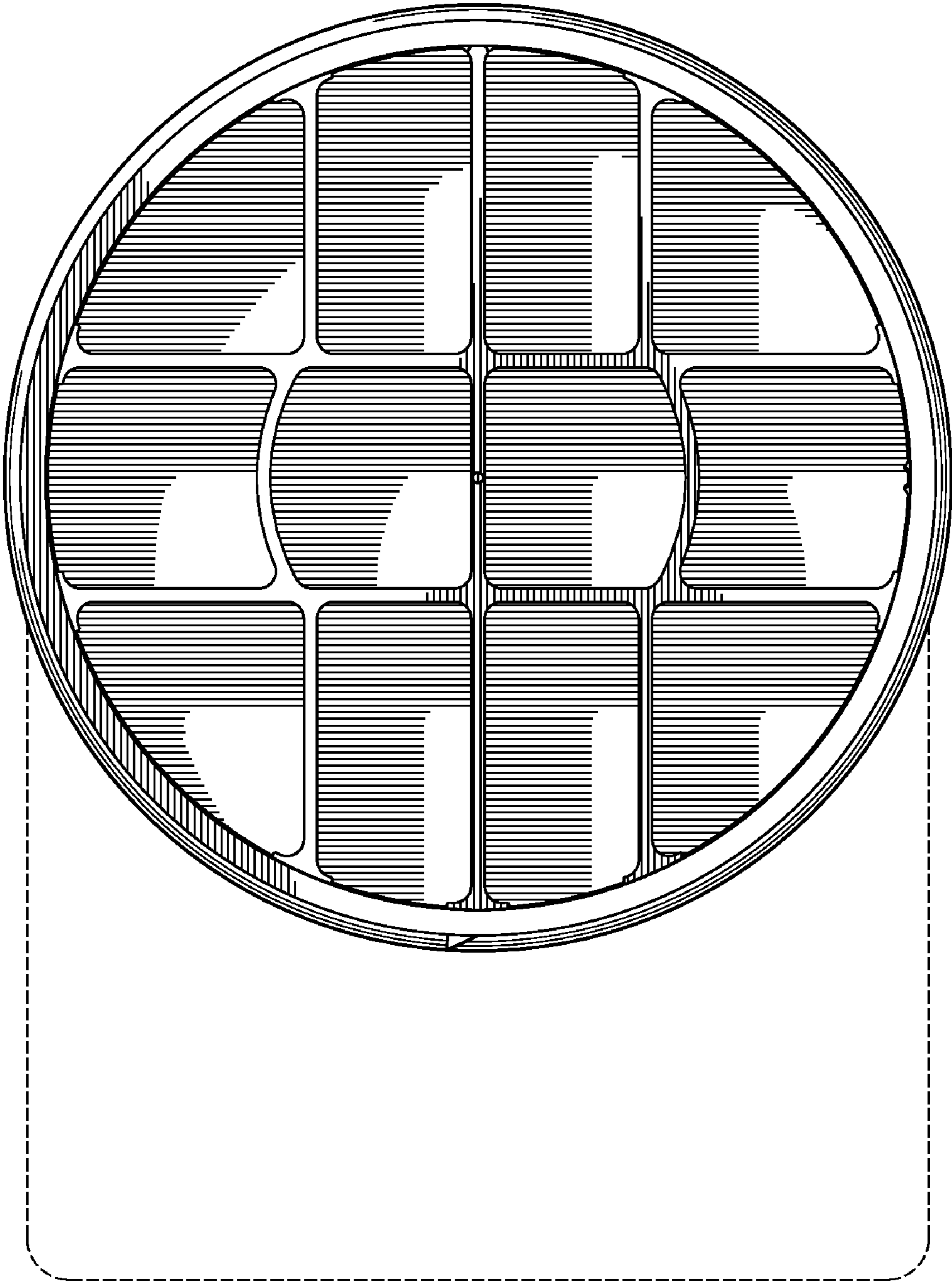


FIG. 9

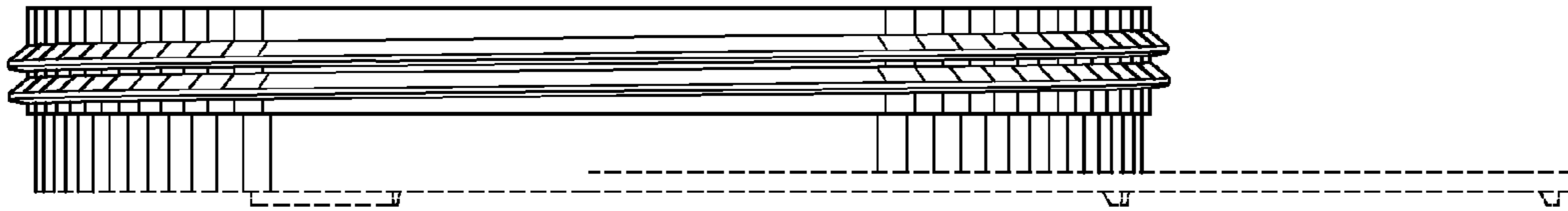


FIG. 10

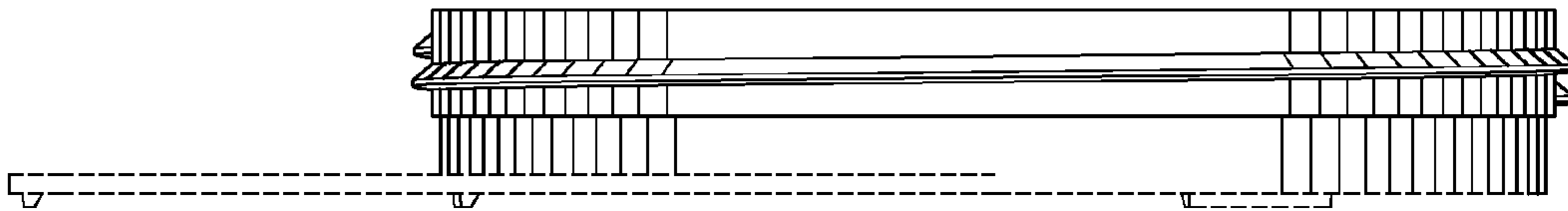


FIG. 11

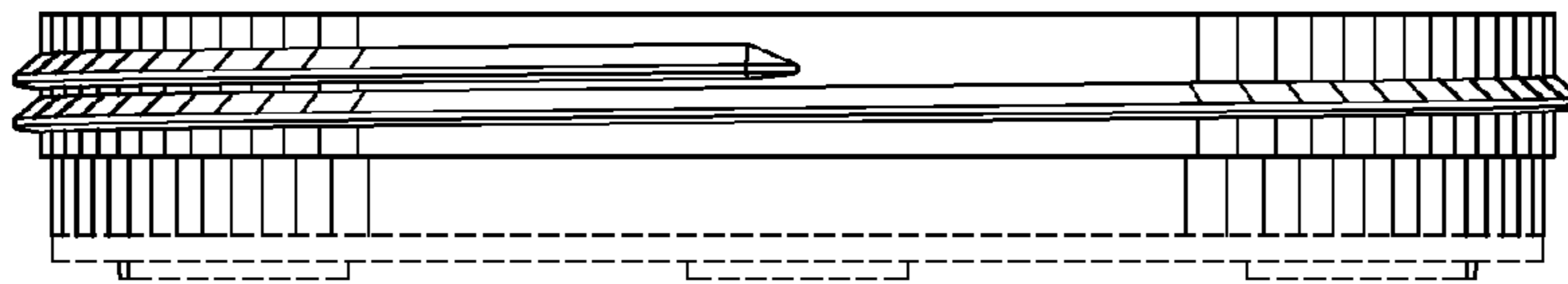


FIG. 12

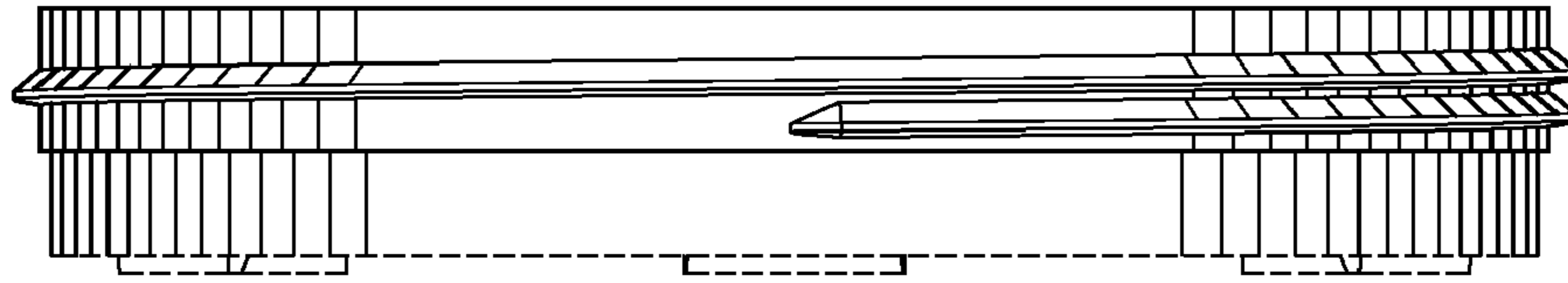


FIG. 13

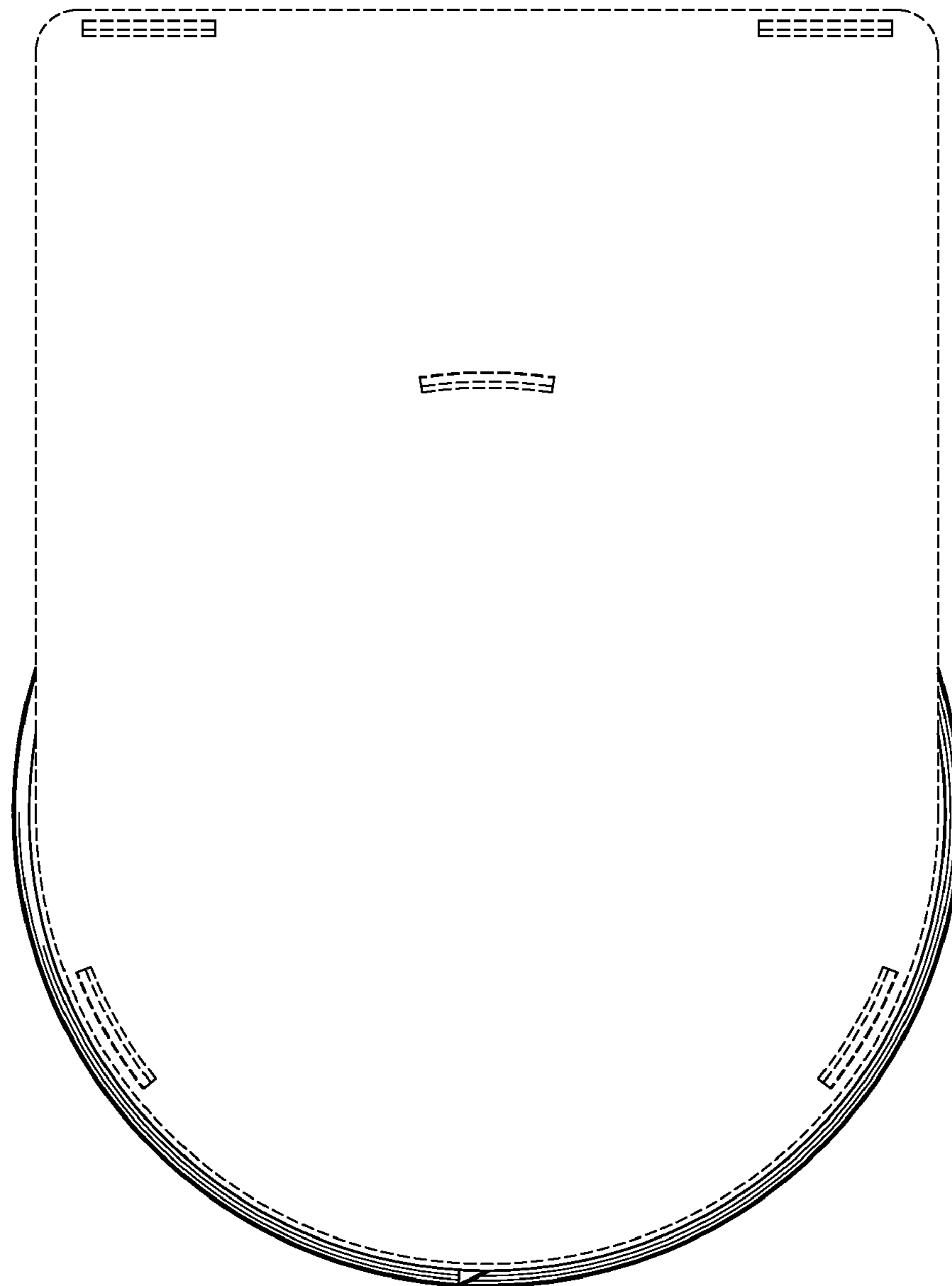


FIG. 14